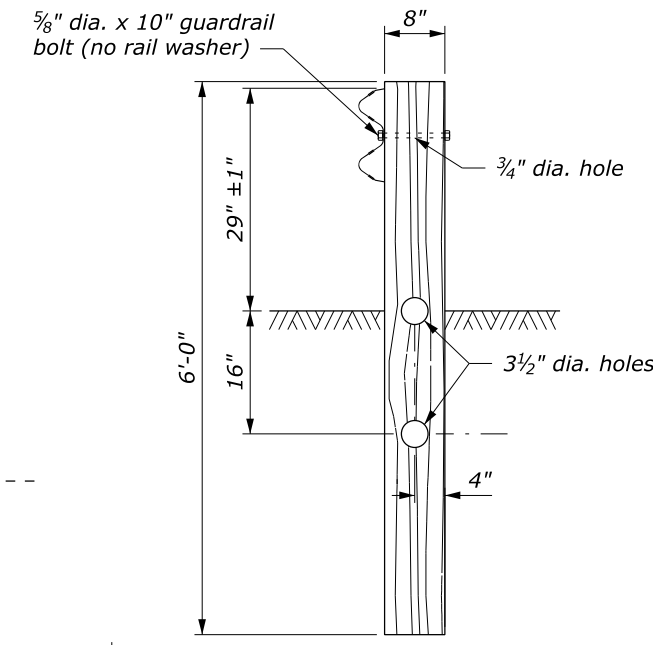
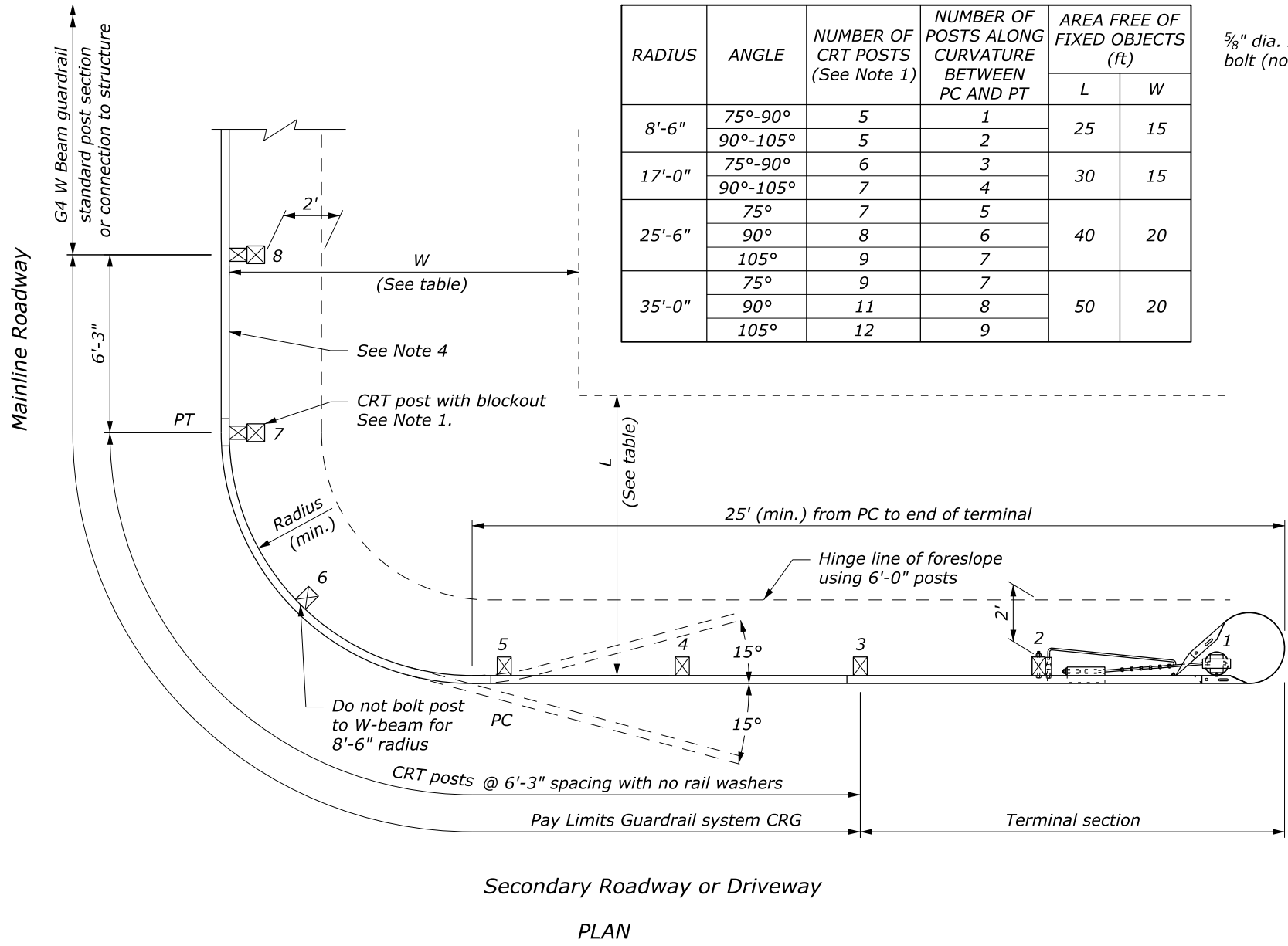


RADIUS	ANGLE	NUMBER OF CRT POSTS (See Note 1)	NUMBER OF POSTS ALONG CURVATURE BETWEEN PC AND PT	AREA FREE OF FIXED OBJECTS (ft)	
				L	W
8'-6"	75°-90°	5	1	25	15
	90°-105°	5	2		
17'-0"	75°-90°	6	3	30	15
	90°-105°	7	4		
25'-6"	75°	7	5	40	20
	90°	8	6		
	105°	9	7		
35'-0"	75°	9	7	50	20
	90°	11	8		
	105°	12	9		

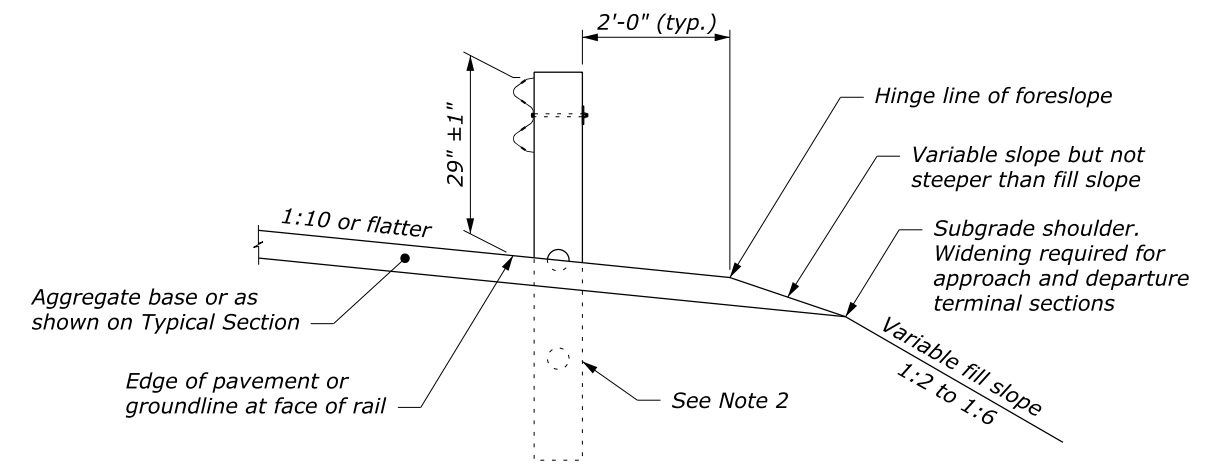


**CRT POST DETAIL**  
POSTS #3 - #7  
See Note 1

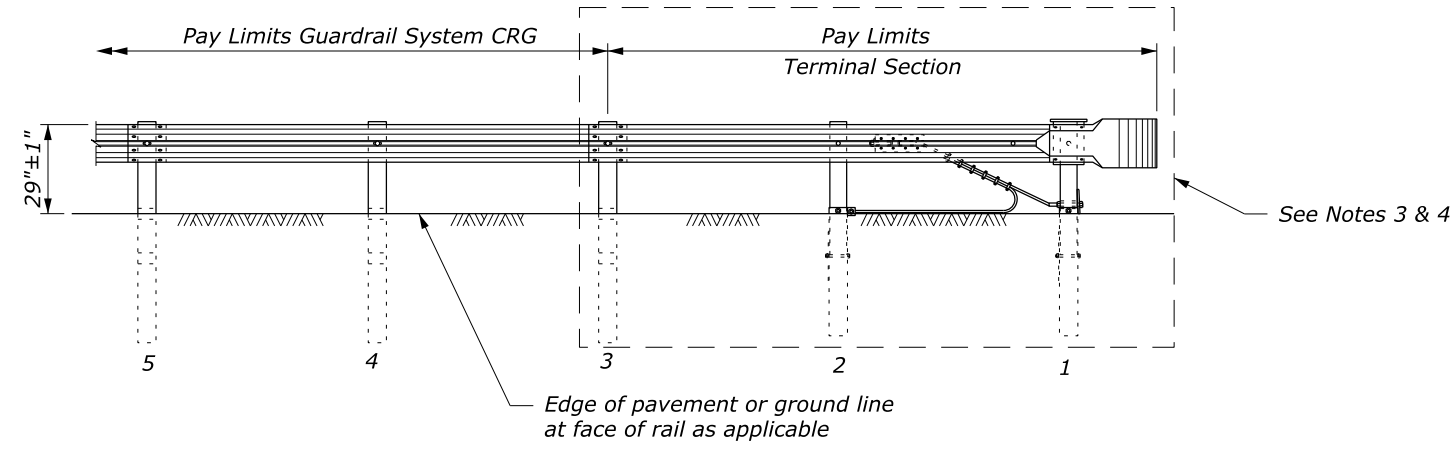
- NOTE:**
- CRT posts include those posts between the terminal and PT, plus the post with block at Post #7. See Standard 617-10 for block details.
  - See Special Contract Requirements when 7 foot or longer posts are specified.
  - See Standard 617-22 for terminal section, Type CRT details. The use of the CRT terminal is limited to driveways, service roads, and low speed minor road approaches. Use the appropriate TL-2 or TL-3 terminal on all other roadway approaches.
  - If the CRG will be connected to transition rail at Post 8, add a standard post and block midway between Posts 7 and 8.
  - Dimensional tolerances not shown or implied are intended to be those consistent with the proper functioning of the part, including its appearance, and accepted manufacturing practices.



**PLAN**



**TYPICAL GUARDRAIL CROSS SECTION**



**ELEVATION**

**GUARDRAIL SYSTEM CRG WITH CRT POSTS**

NO SCALE

U.S. DEPARTMENT OF TRANSPORTATION FEDERAL HIGHWAY ADMINISTRATION FEDERAL LANDS HIGHWAY	
U.S. CUSTOMARY STANDARD	
<b>CRG W-BEAM GUARDRAIL WOOD POSTS</b>	
STANDARD APPROVED FOR USE 1/1994	STANDARD
REVISED: 4/1994 6/2005	617-21
DRAFT: 3/2016	

c:\myfiles\pw\_production\dms67487\Std617-21.dgn [USC]  
15 March 2016 7:54 AM