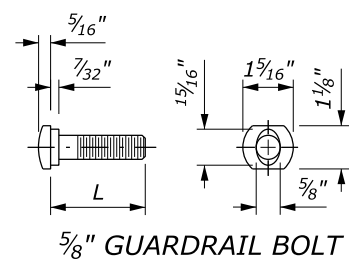
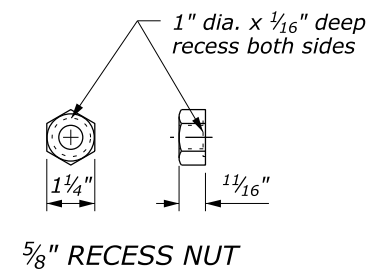


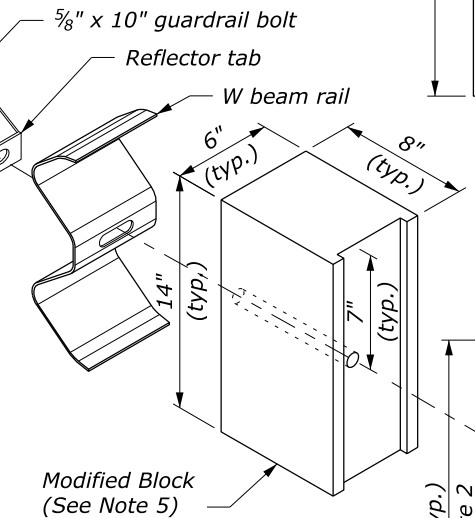
W BEAM RAIL



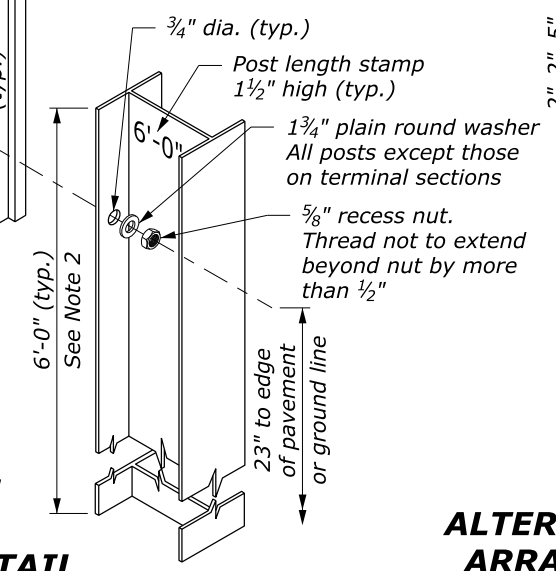
L	Thread Length
1 1/4"	1 1/8" minimum
2"	1 3/4" minimum
10"	4" minimum
18"	4" minimum
25"	4" minimum



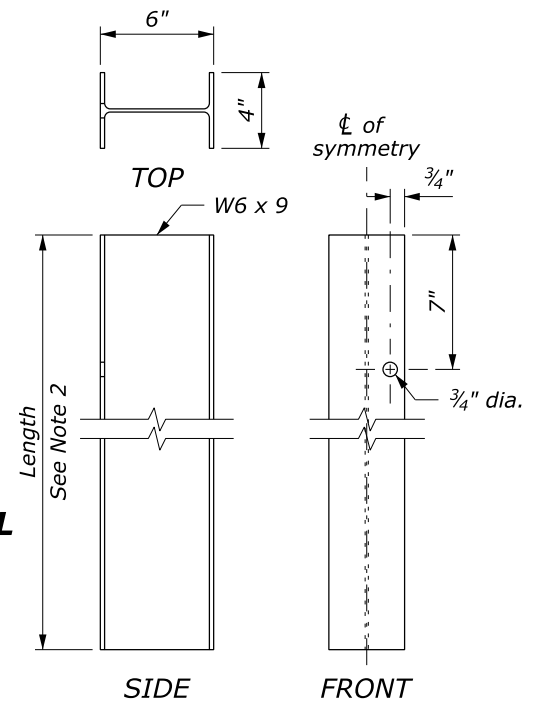
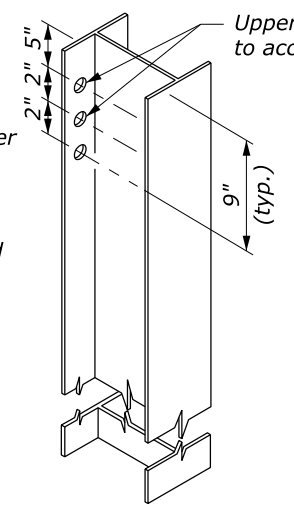
GUARDRAIL BOLT AND RECESS NUT



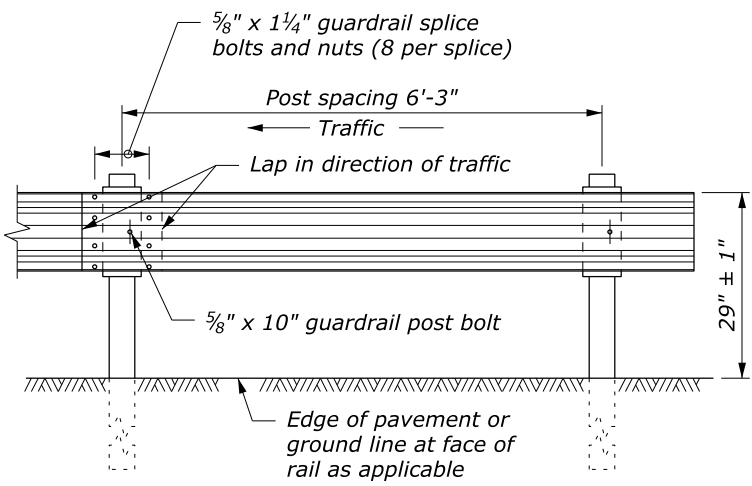
STANDARD HOLE ARRANGEMENT POST AND BLOCK DETAIL



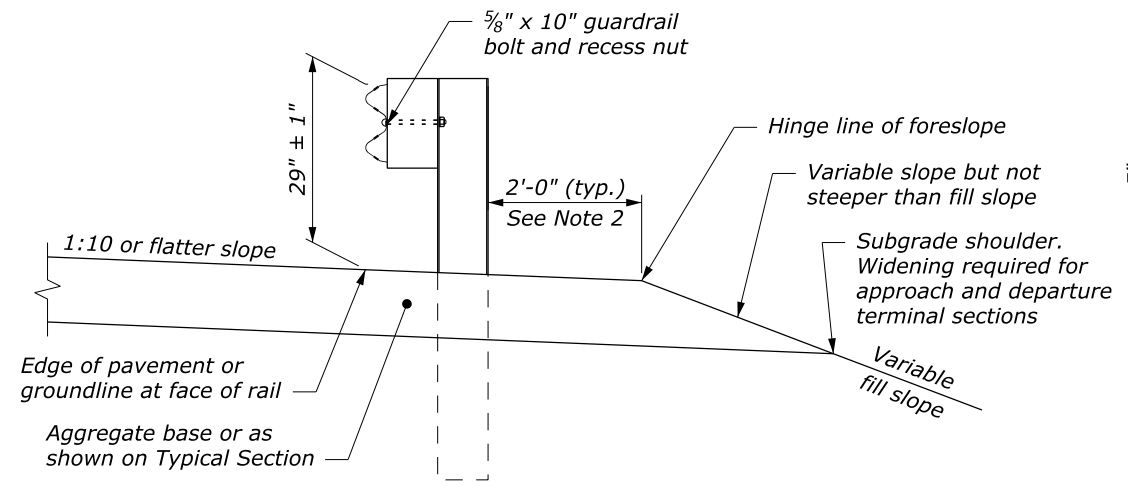
ALTERNATE HOLE ARRANGEMENT POST AND BLOCK DETAIL



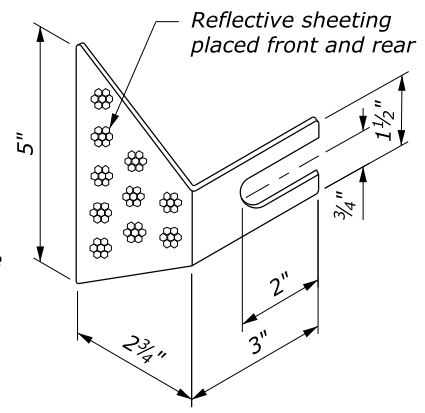
STRUCTURAL SHAPE POST (STANDARD HOLE ARRANGEMENT)



POST SPACING STANDARD POST SECTION



TYPICAL GUARDRAIL CROSS SECTION



REFLECTOR TAB (See Note 4)

NO SCALE

- NOTE:**
1. When encountering impenetrable material, see Standards 617-13 or 617-24.
 2. See Special Contract Requirements when 7 foot or longer posts are specified.
 3. See Special Contract Requirements when the alternative hole arrangement is specified.
 4. Install reflector tab between post bolt and rail, every fourth post. Alternate reflector tab shapes are acceptable.
 5. Modified block may be wood, plastic, or composite material. Use consistent material throughout the length of guardrail run.
 6. Dimensional tolerances not shown or implied are intended to be those consistent with the proper functioning of the part, including its appearance, and accepted manufacturing practices.

U.S. DEPARTMENT OF TRANSPORTATION
FEDERAL HIGHWAY ADMINISTRATION
FEDERAL LANDS HIGHWAY

U.S. CUSTOMARY STANDARD

G4 W-BEAM GUARDRAIL STEEL POSTS

STANDARD APPROVED FOR USE 1/1994
REVISED: 4/1994 6/2005
DRAFT: 10/2013

STANDARD 617-11