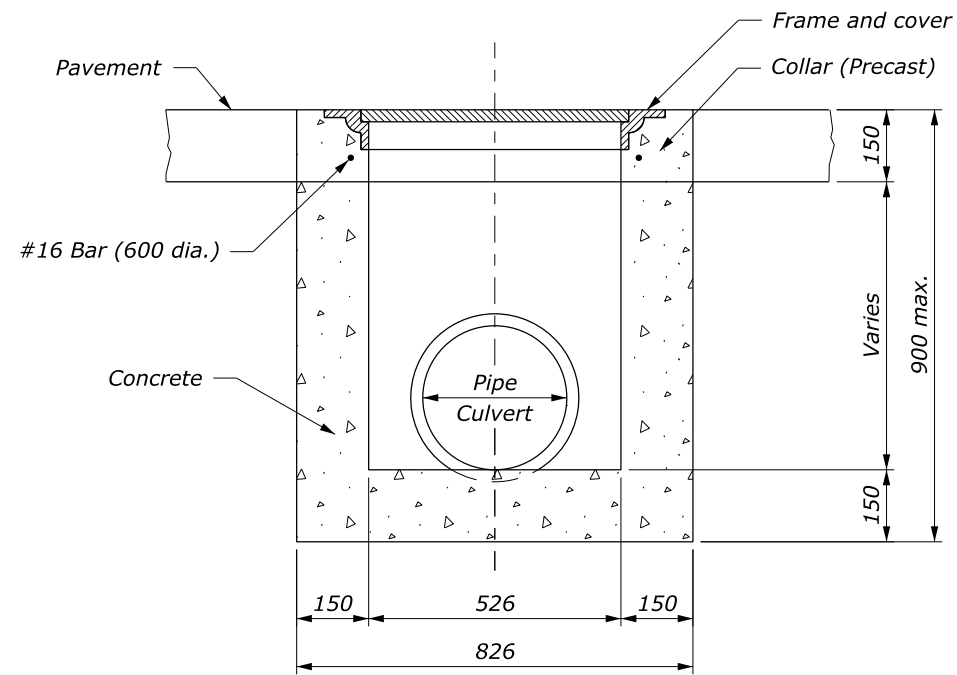
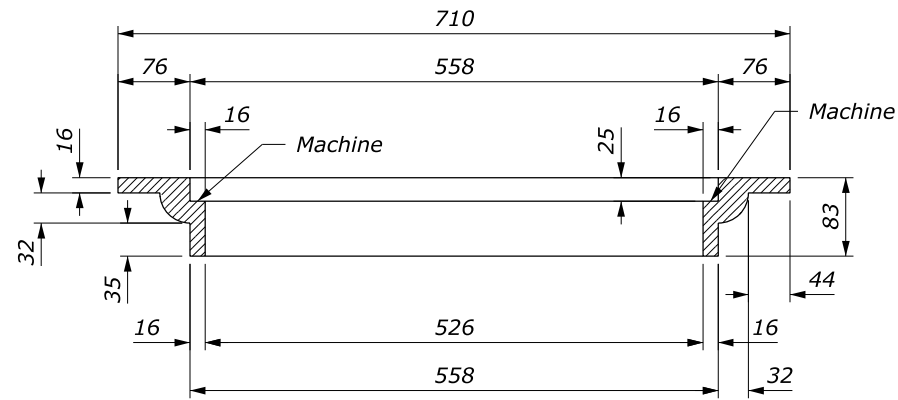


**NOTE:**

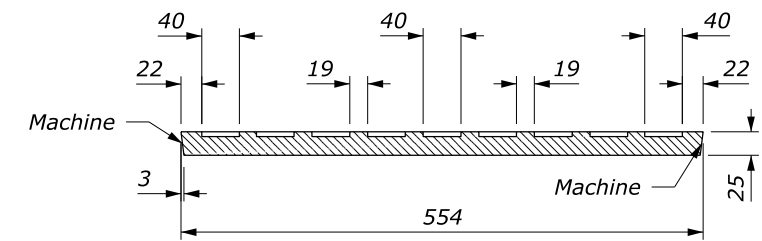
1. Frame and cover dimensions may vary slightly to allow manufacturer's standards.
2. MASS: (Approximate, cast iron)  
 Frame -  $39 \pm 2$  kg  
 Cover -  $38 \pm 2$  kg
3. All reinforcing bars are #16 placed a minimum 40 mm clear from face of concrete. In floors, place bars on 150 mm centers each way. In walls, place horizontal bars on 150 mm centers and vertical bars on 300 mm centers.
4. Dimensions without units are millimeters.



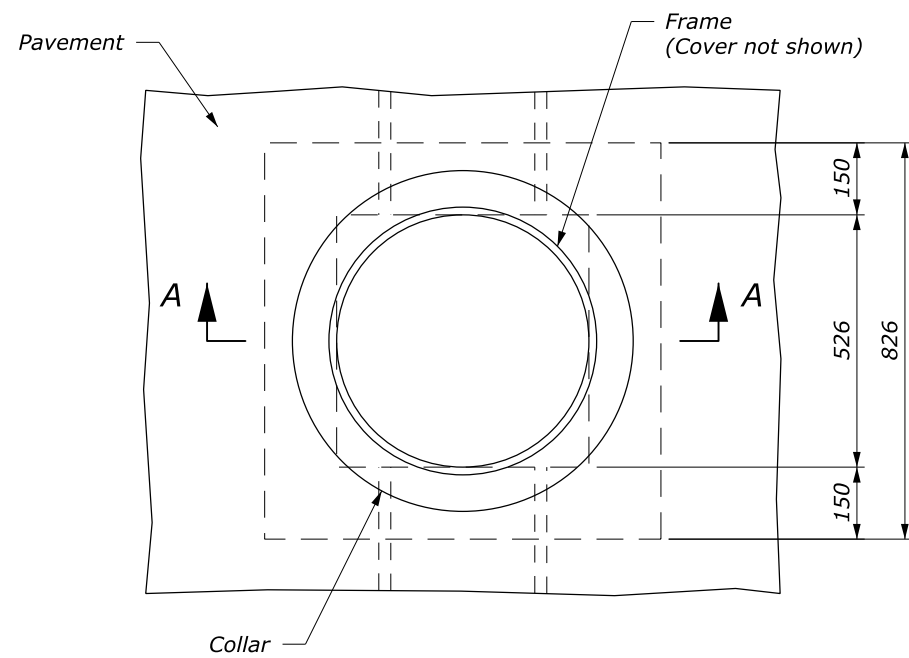
**SECTION A-A**



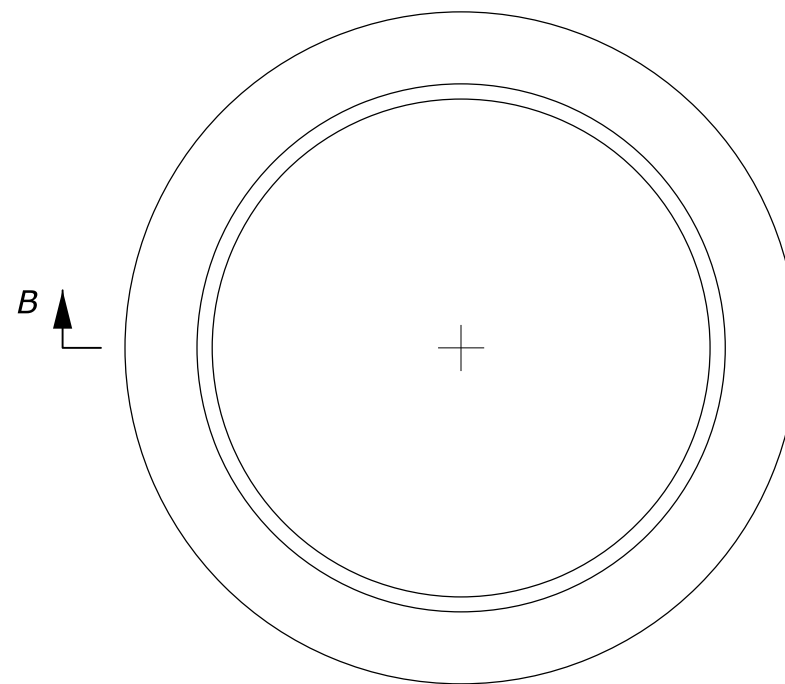
**SECTION B-B**



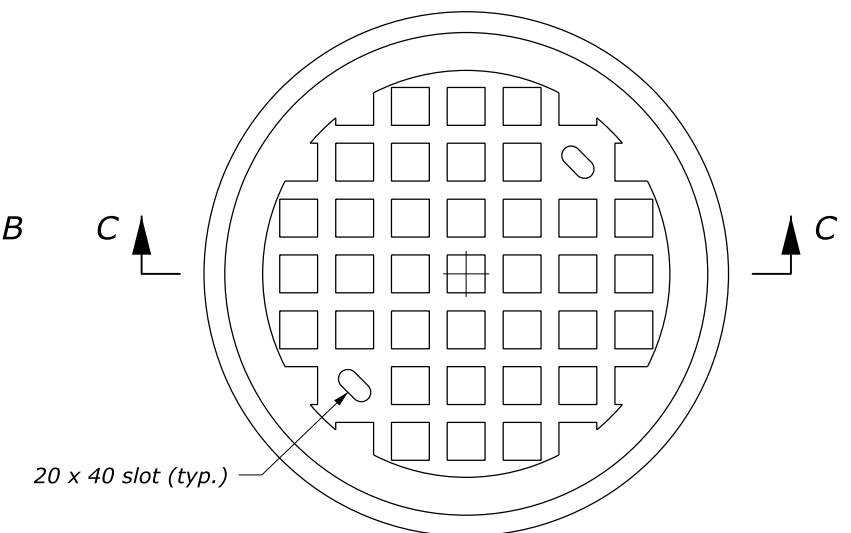
**SECTION C-C**



**PLAN**



**FRAME**



**COVER**

20 x 40 slot (typ.)

U.S. DEPARTMENT OF TRANSPORTATION FEDERAL HIGHWAY ADMINISTRATION FEDERAL LANDS HIGHWAY	
METRIC STANDARD	
<b>MANHOLE</b>	
STANDARD APPROVED FOR USE 3/1996	STANDARD
REVISED: 5/1997 6/2005	M604-9

NO SCALE