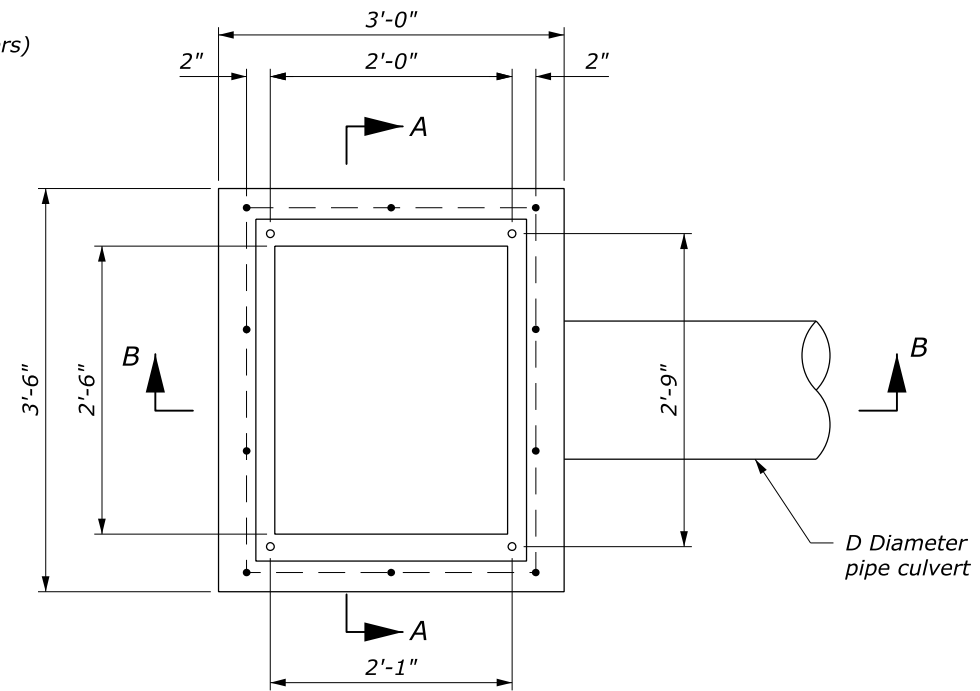


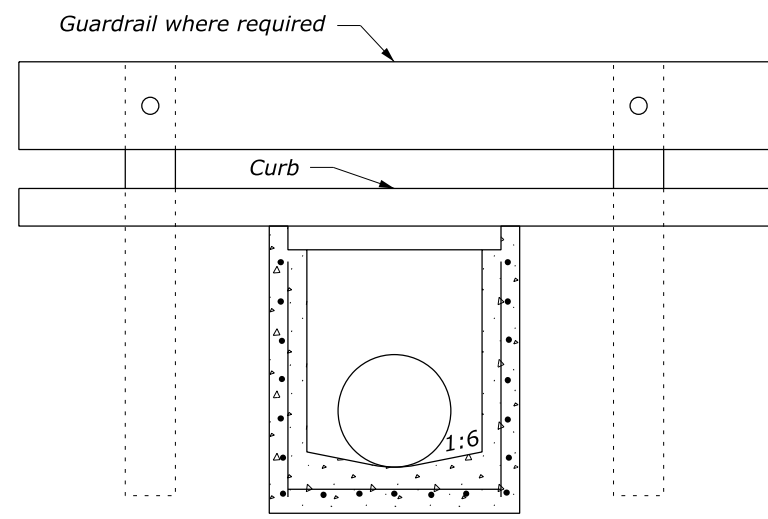
DETAIL A



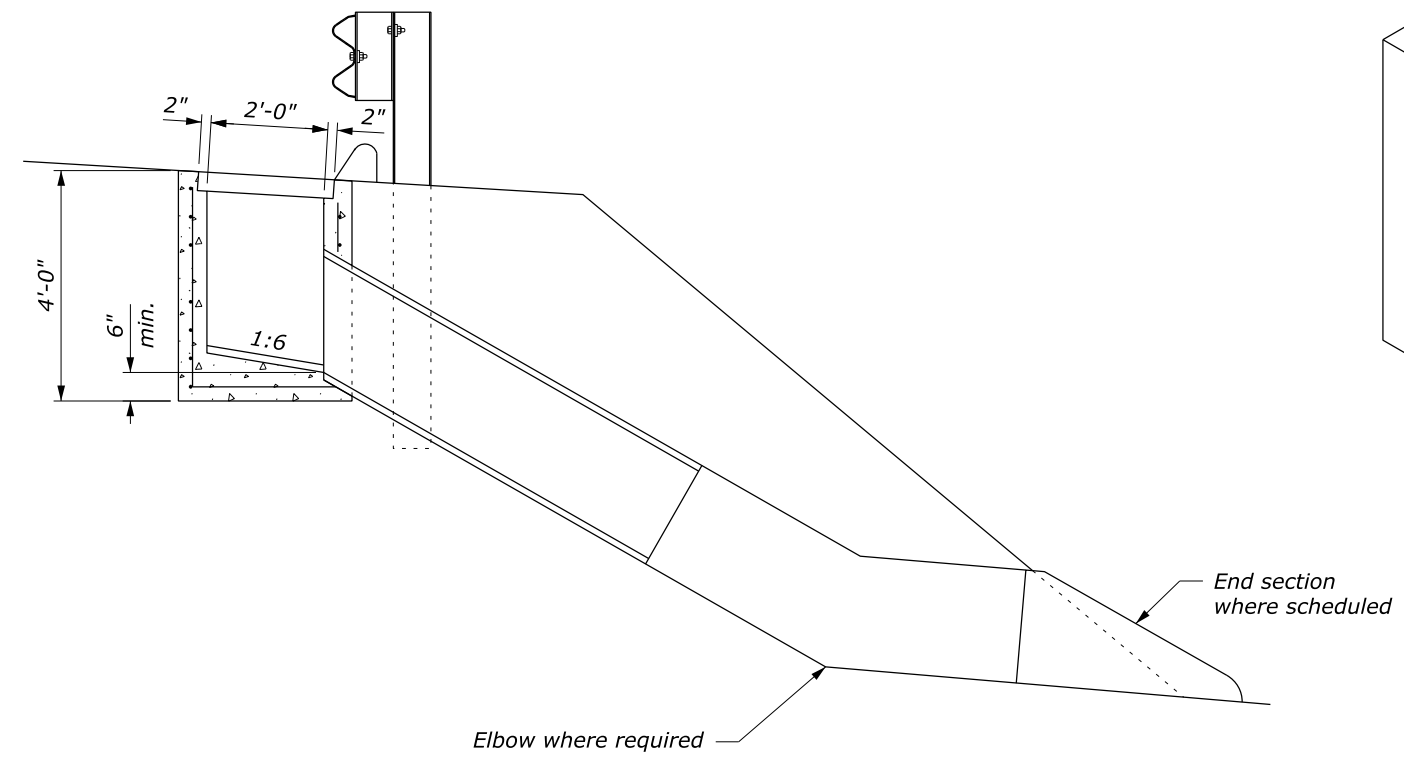
PLAN

NOTE:

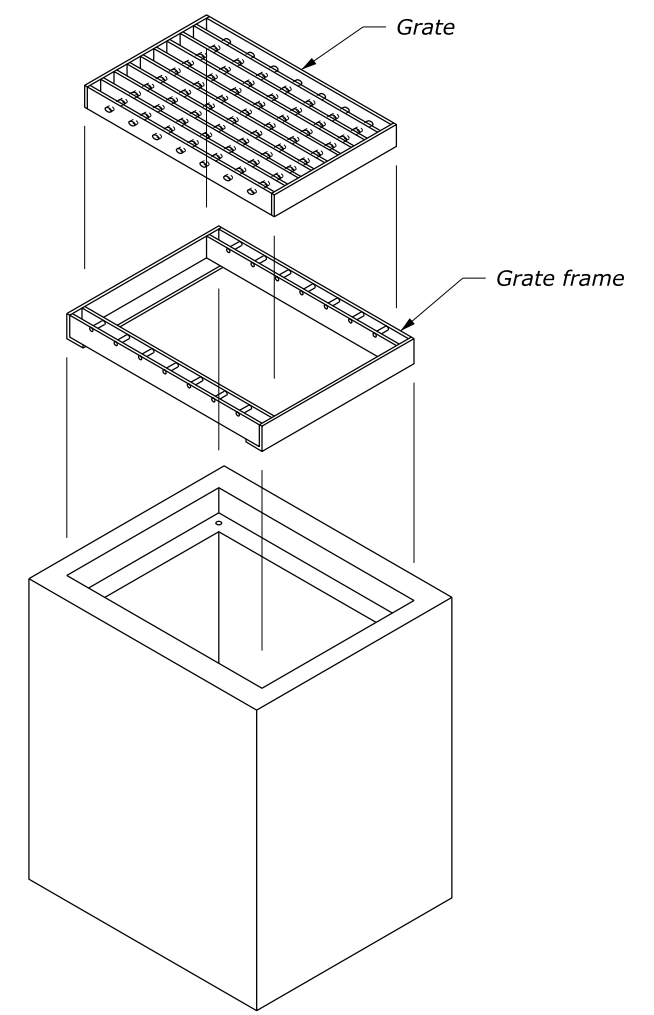
1. All reinforcing bars are #5 placed a minimum 1 1/2" clear from face of concrete. In floors, place bars on 6 inch centers each way. In walls, place horizontal bars in 6 inch centers and vertical bars on 12 inch centers.
2. Curb shape shown for illustration only. Actual curb shape and dimensions are shown in the plans.
3. See Standard 604-6 for Frame and Grate Details.
4. If guardrail post location results in guardrail penetrating the culvert, eliminate the post and place additional nested W-beam rail sections per Standard 617-24.



SECTION A-A



SECTION B-B



ISOMETRIC VIEW

U.S. DEPARTMENT OF TRANSPORTATION FEDERAL HIGHWAY ADMINISTRATION FEDERAL LANDS HIGHWAY	
U.S. CUSTOMARY STANDARD	
INLET TYPE 5A	
STANDARD APPROVED FOR USE 6/2005	STANDARD
REVISED:	604-5

NO SCALE