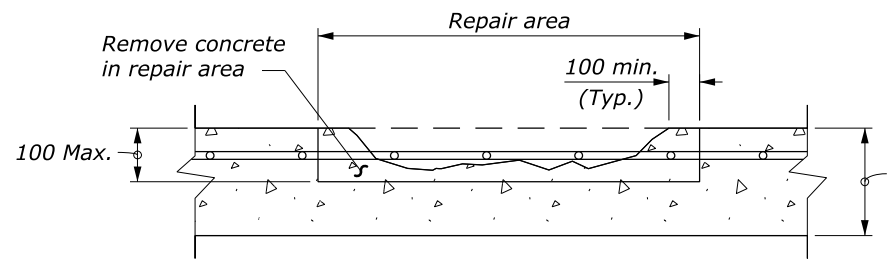


PLAIN CONCRETE PAVEMENT

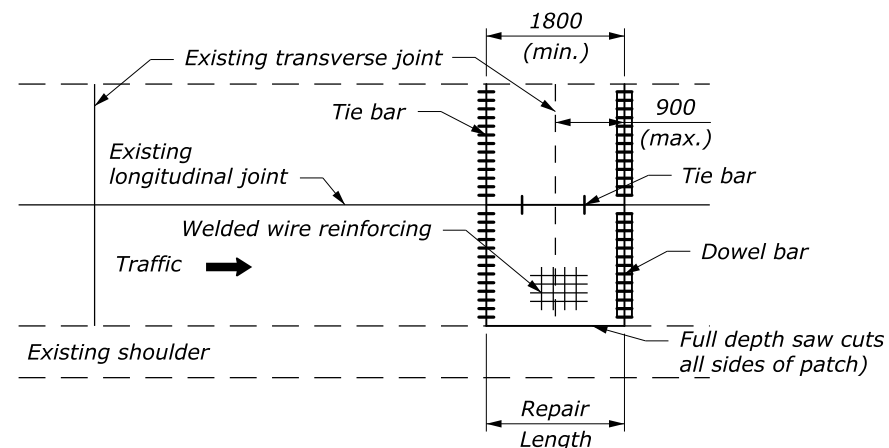


REINFORCED CONCRETE PAVEMENT

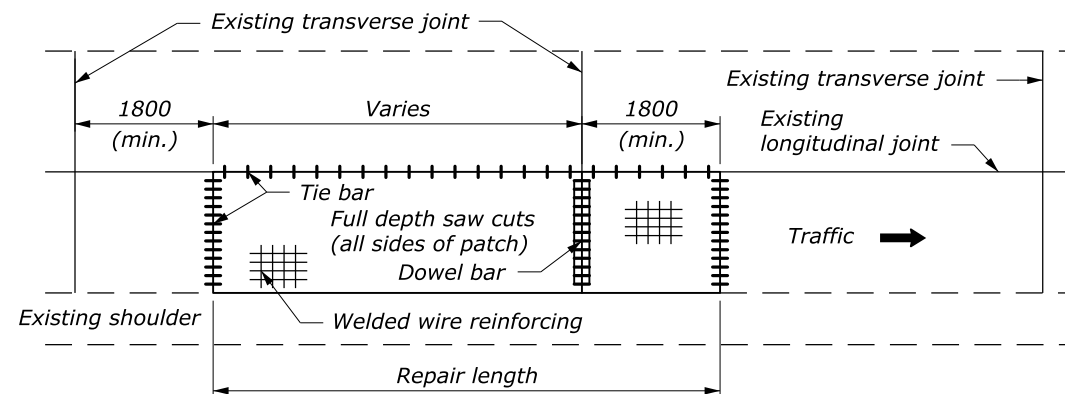
**PARTIAL-DEPTH PATCHING**

**NOTE:**

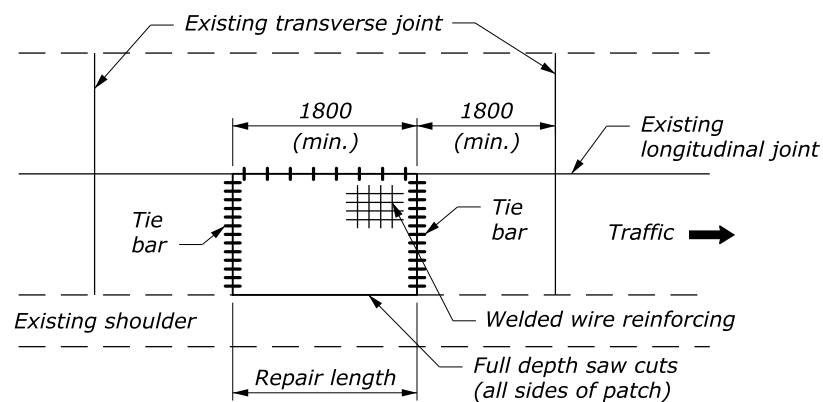
1. See Standard M501-1 for full depth patching welded wire reinforcing.
2. See Standard M501-2 for full depth patching joint details and information.
3. If reinforcement is present within the partial-depth patch area and the bond is destroyed, remove adjacent concrete an additional 20 mm. If reinforcement is damaged, remove and replace in kind. Submit reinforcement replacement plan for approval.
4. Dimensions without units are millimeters.



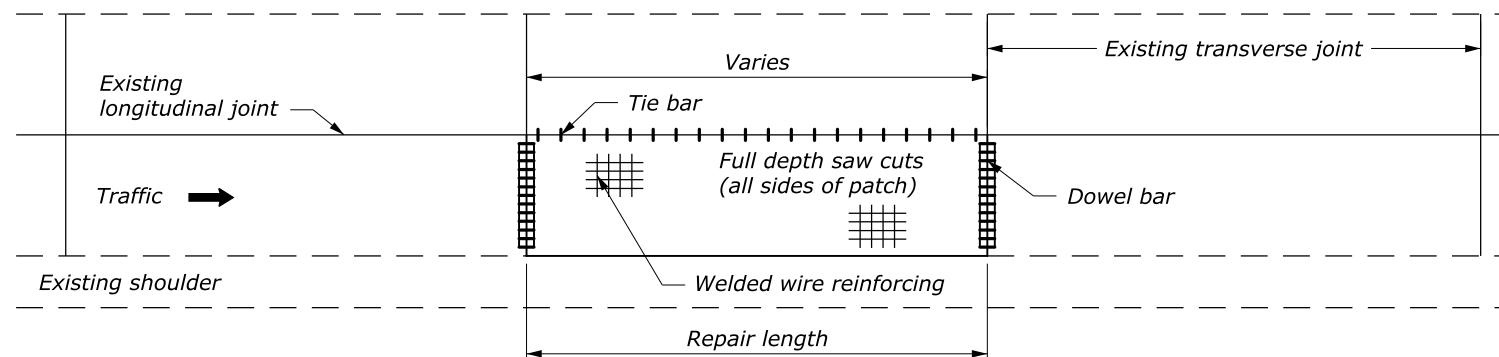
METHOD A



METHOD B



METHOD C



METHOD D

**FULL DEPTH PATCHING LAYOUTS**

NO SCALE

U.S. DEPARTMENT OF TRANSPORTATION FEDERAL HIGHWAY ADMINISTRATION FEDERAL LANDS HIGHWAY	
METRIC STANDARD	
<b>CONCRETE PAVEMENT RESTORATION</b>	
STANDARD APPROVED FOR USE 3/1996	STANDARD
REVISED: 5/1997 DRAFT: 8/2016	M502-1