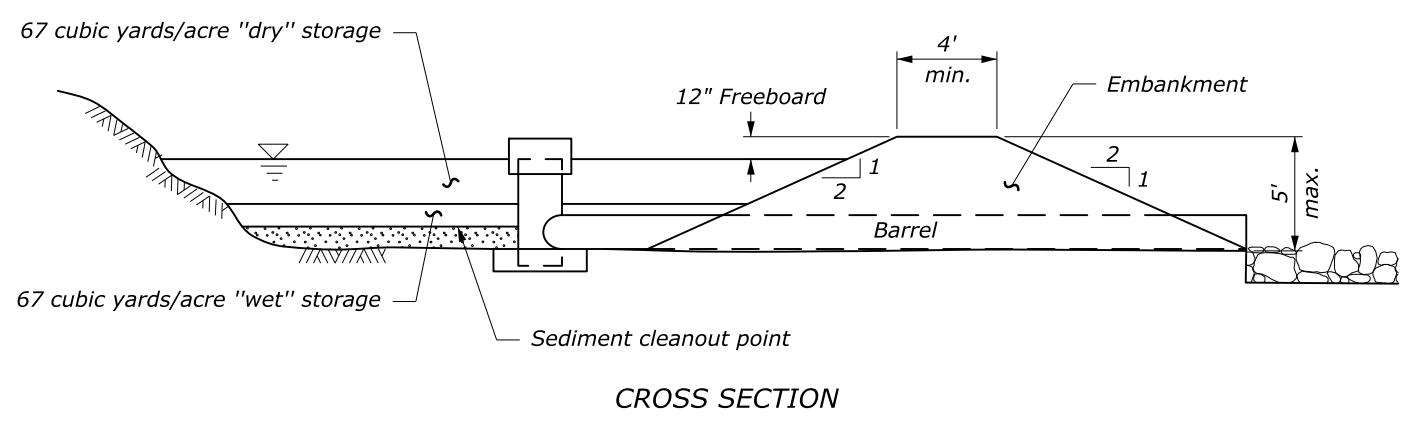


CROSS SECTION THROUGH SPILLWAY

ELEVATION

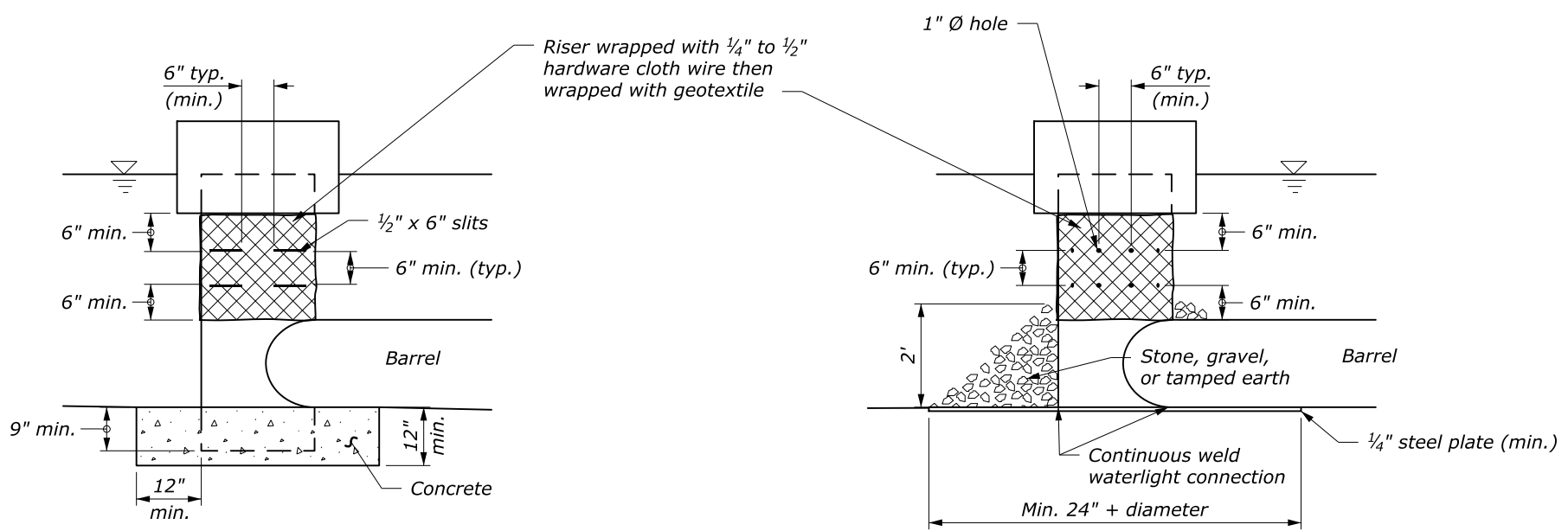
**SEDIMENT TRAP (TYPE A) RIPRAP OUTLET**



CROSS SECTION

**NOTE:**

1. Clear, grub, and remove all vegetative matter including root mat before constructing Sediment Trap.
2. Remove vegetative matter, other organic material, and large stones from embankment fill material.
3. Compact embankment in 8-inch layers using construction equipment for compaction of each layer.
4. Seed the soil embankment and all cut slopes with temporary or permanent vegetation within 7 days of construction.
5. Remove sediment from Sediment Trap when accumulated sediment reaches half the design water storage of the trap.
6. Inspect Sediment Trap regularly for damage and accumulated sediment and especially after each storm event. Make repairs as required.
7. Remove the Sediment Trap and stabilize the location by grading and seeding when the upslope drainage area has been stabilized against erosion.
8. Do not use sediment traps for drainage areas over 5 acres.



CONCRETE BASE WITH SLIT PERFORATIONS IN RISER

STEEL PLATE BASE WITH HOLE PERFORATIONS IN RISER

**SEDIMENT TRAP (TYPE B) PIPE OUTLET**

U.S. DEPARTMENT OF TRANSPORTATION FEDERAL HIGHWAY ADMINISTRATION FEDERAL LANDS HIGHWAY	
U.S. CUSTOMARY STANDARD	
<b>SEDIMENT TRAP</b>	
STANDARD APPROVED FOR USE 6/2005	STANDARD
REVISED:	157-4

NO SCALE