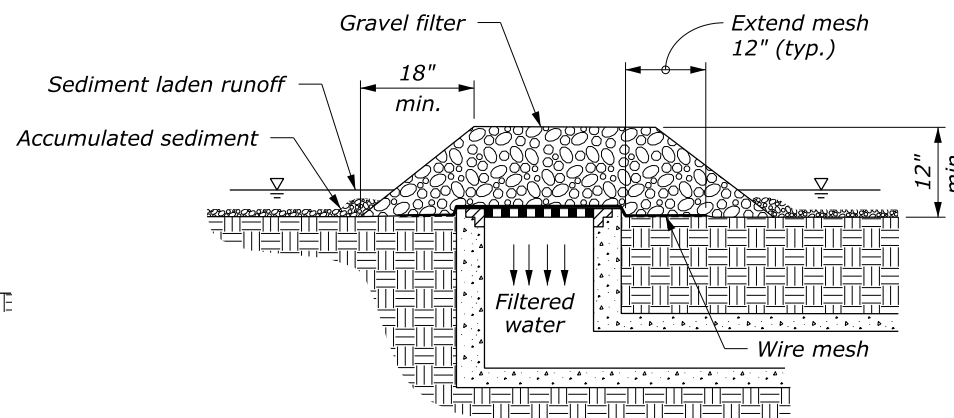


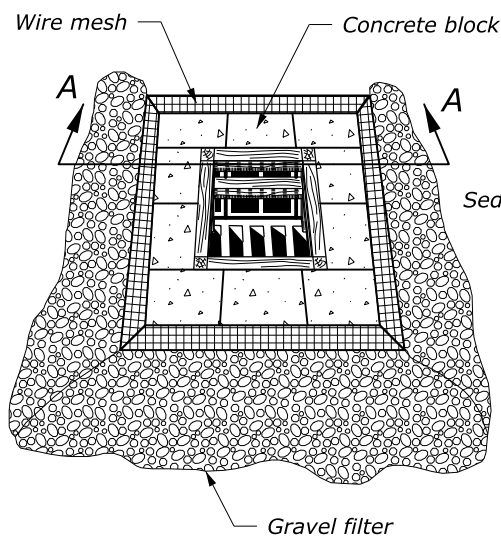
**SILT FENCE DROP INLET PROTECTION (TYPE A)**



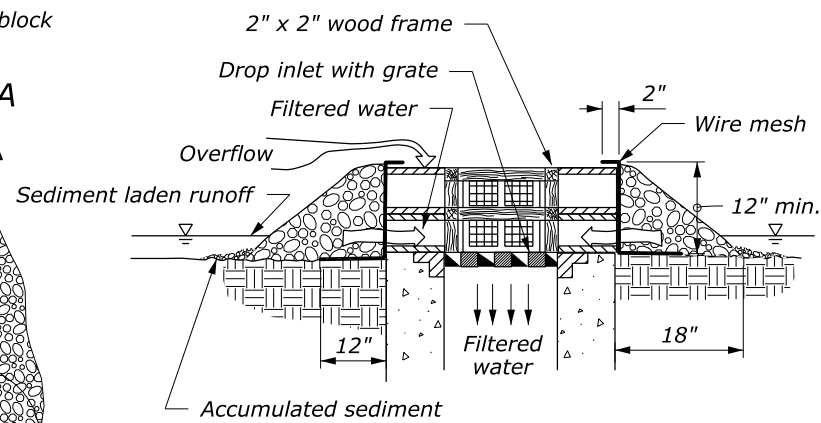
**GRAVEL AND WIRE MESH DROP INLET PROTECTION (TYPE B)**

**NOTE:**

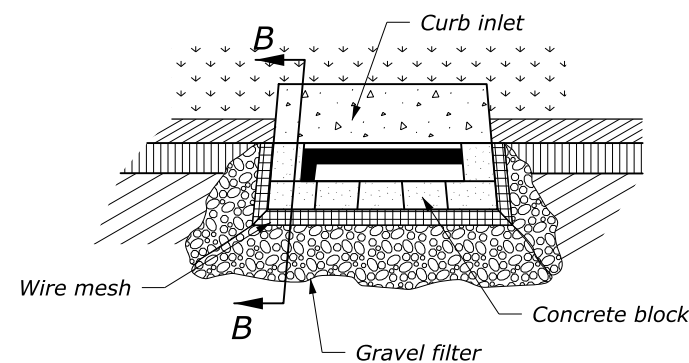
1. For gravel filters use 2"- 3" diameter coarse aggregate.
2. Use wire mesh with 1/2" x 1/2" openings.
3. Use type A inlet protection in sump locations only.
4. Use type B inlet protection only in sump locations where heavy concentrated flows are not expected. Do not use where ponding around the structure might cause inconvenience or damage.



**BLOCK AND GRAVEL DROP INLET PROTECTION (TYPE C)**

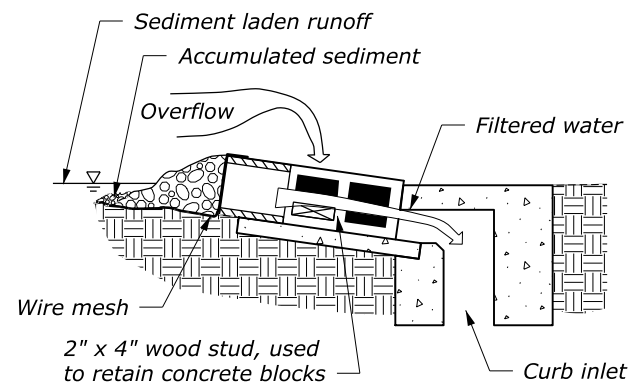


**SECTION A-A**

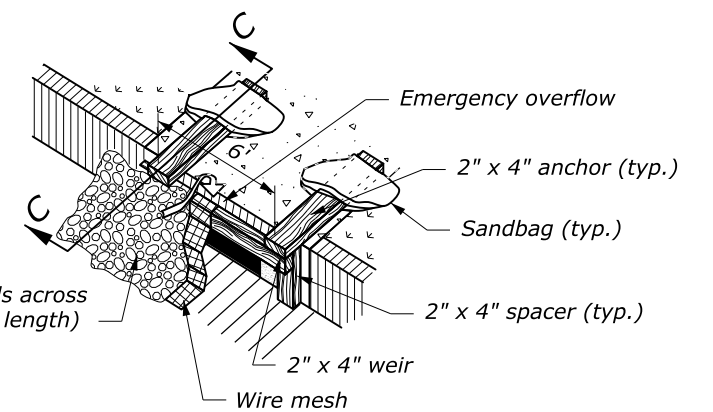


**SECTION B-B**

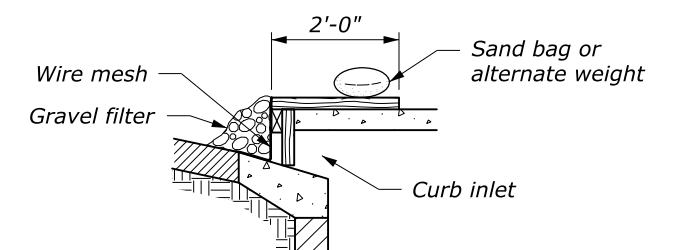
**CURB INLET PROTECTION, BLOCK AND GRAVEL (TYPE D)**



**SECTION C-C**



**CURB INLET PROTECTION, WOODEN WEIR (TYPE E)**



**SECTION C-C**

**CURB INLET PROTECTION, WOODEN WEIR (TYPE E)**

NO SCALE

U.S. DEPARTMENT OF TRANSPORTATION FEDERAL HIGHWAY ADMINISTRATION FEDERAL LANDS HIGHWAY	
U.S. CUSTOMARY STANDARD	
<b>TEMPORARY INLET PROTECTION</b>	
STANDARD APPROVED FOR USE 6/2005	STANDARD
REVISED: DRAFT: 3/2014	157-2