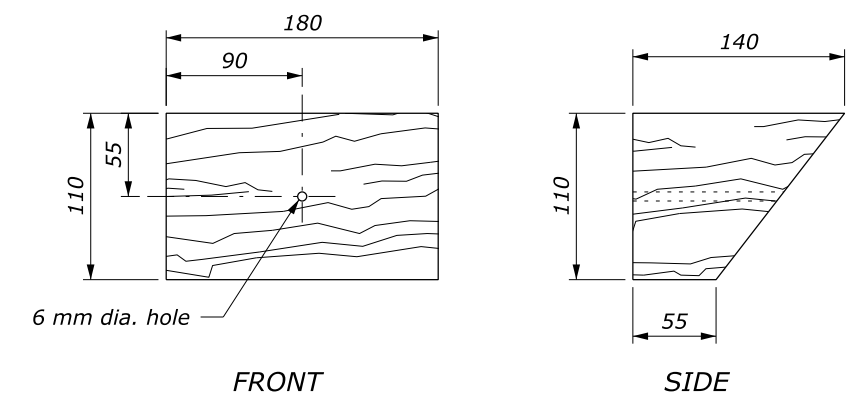
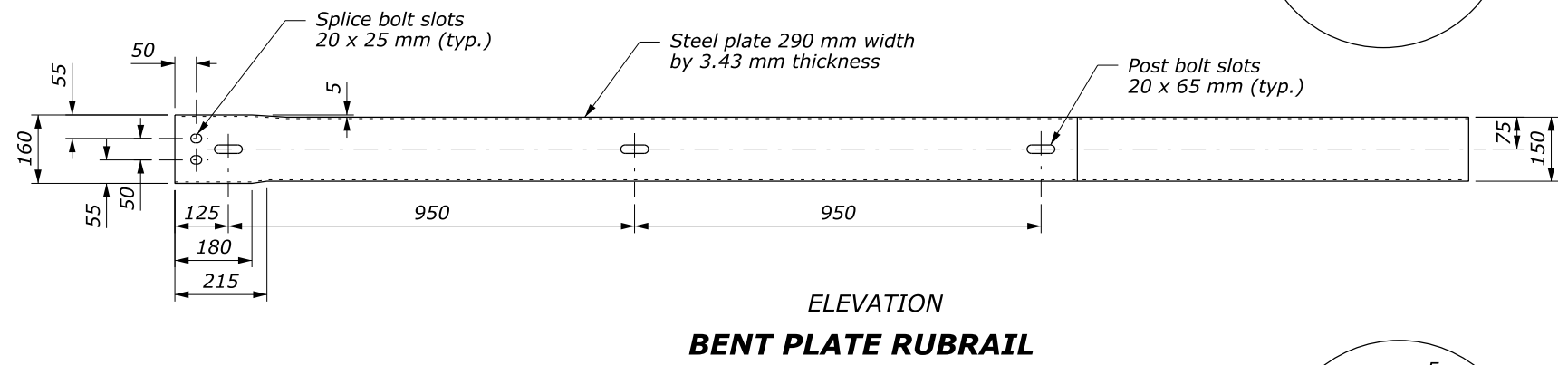
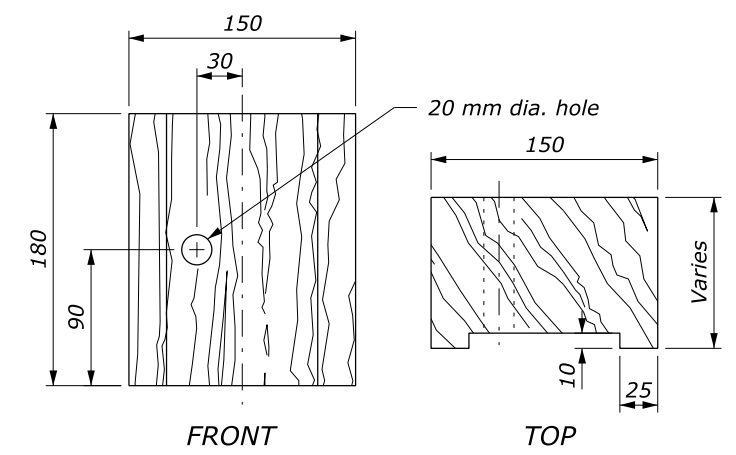


**NOTE:**

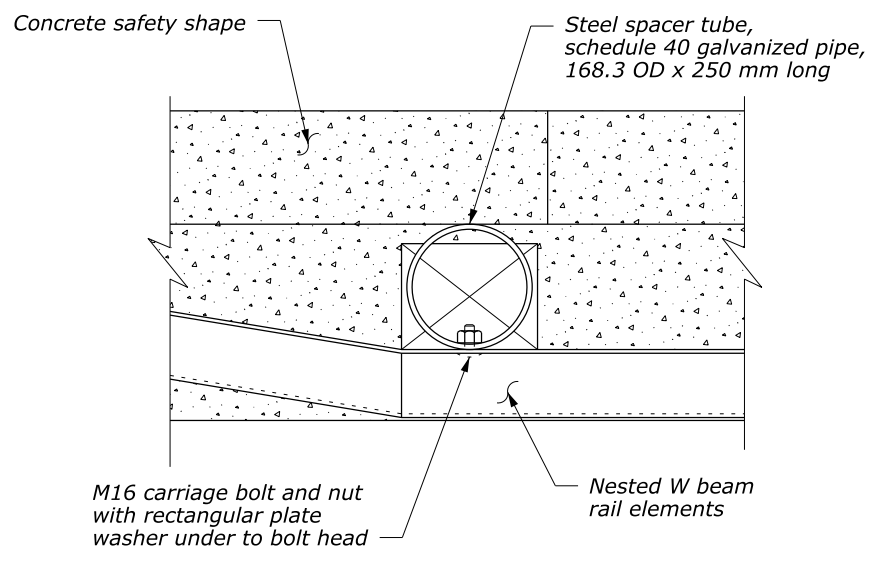
1. Attach rubrail end flush with sloped tow of safety shape. Shop fabricate the C150 x 12.2 rubrail end to be consistent with the slope of safety shape. Both clockwise and counterclockwise fabrications may be required.
2. Dimensional tolerances not shown or implied are intended to be those consistent with the proper functioning of the part, including its appearance, and accepted manufacturing practices.
3. Dimensions without units are millimeters.



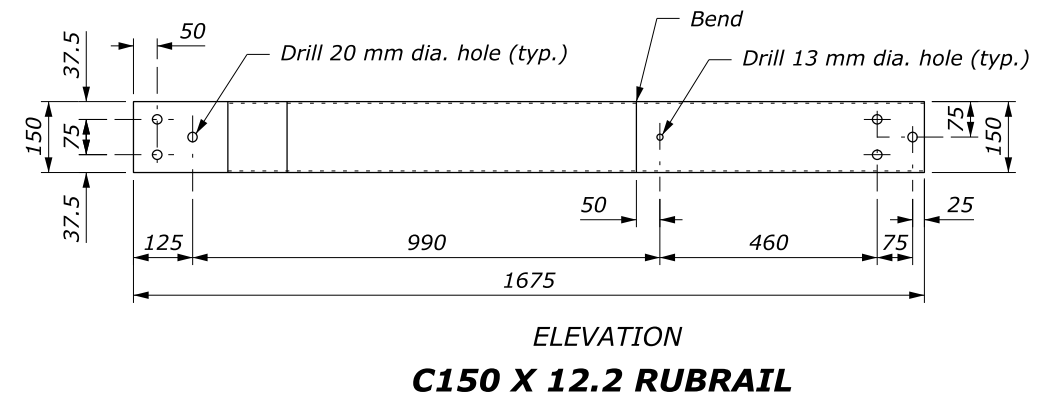
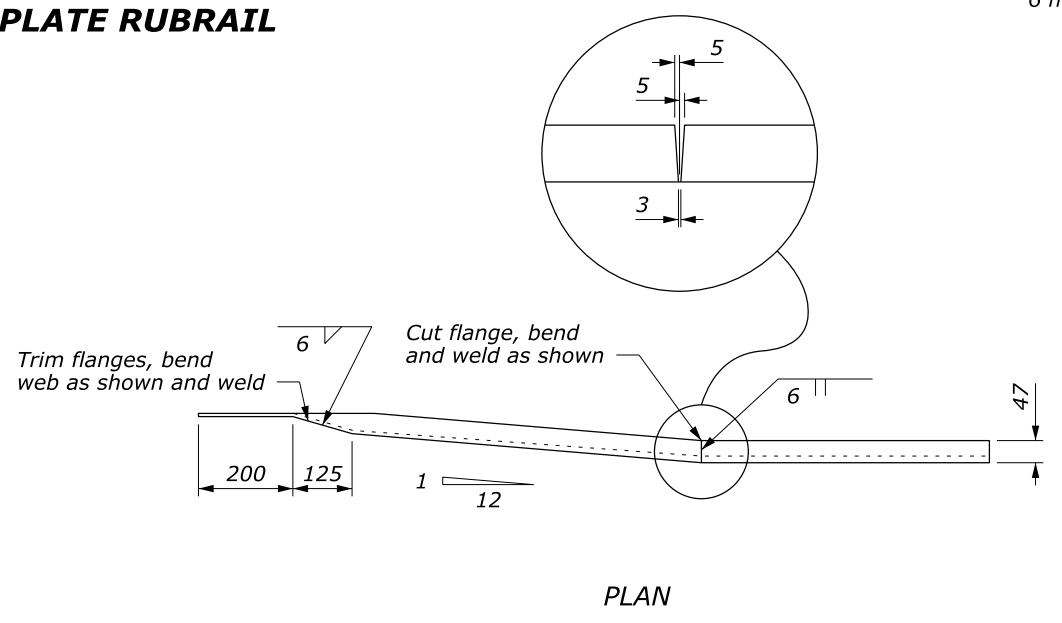
**WOOD BLOCKOUT FOR RUBRAIL ON CONCRETE SAFETY SHAPE**



**WOOD BLOCKOUT FOR RUBRAIL ON STEEL POSTS**



**STEEL SPACER BLOCK**



NO SCALE

U.S. DEPARTMENT OF TRANSPORTATION FEDERAL HIGHWAY ADMINISTRATION FEDERAL LANDS HIGHWAY	
METRIC STANDARD	
<b>G4 W BEAM GUARDRAIL CONNECTION TO STRUCTURE SAFETY SHAPE FACE RUBRAIL</b>	
STANDARD APPROVED FOR USE 3/1996	STANDARD
REVISED: 1/1998 DRAFT: 9/2013	M617-29