

METAL ROUND PIPE CULVERT

FILL HEIGHT AND METAL THICKNESS TABLE FOR HELICAL LOCKSEAM AND WELDED SEAM PIPE CULVERT

		STEEL										ALUMINUM																							
PIPE SIZE DIAMETER INCHES	MINIMUM COVER INCHES	2 3/8" x 1/2" CORRUGATIONS					3" x 1" CORRUGATIONS					5" x 1" CORRUGATIONS					PIPE SIZE DIAMETER INCHES	MINIMUM COVER INCHES	2 3/8" x 1/2" CORRUGATIONS					3" x 1" CORRUGATIONS											
		METAL THICKNESS (INCH/GAGE)										METAL THICKNESS (INCH/GAGE)																							
		0.064/16 0.079/14 0.109/12 0.138/10 0.168/8 0.064/16 0.079/14 0.109/12 0.138/10 0.168/8 0.064/16 0.079/14 0.109/12 0.138/10 0.168/8										0.060/16 0.075/14 0.105/12 0.135/10 0.164/8 0.060/16 0.075/14 0.105/12 0.135/10 0.164/8																							
MAXIMUM FILL HEIGHT ABOVE TOP OF PIPE (FEET)																																			
12	12	100	100	100	100	100											12	12	100	100	100	100	100												
15	12	100	100	100	100	100												15	12	100	100	100	100	100											
18	12	100	100	100	100	100												18	12	100	100	100	100	100											
21	12	100	100	100	100	100												21	12	88	100	100	100	100											
24	12	100	100	100	100	100												24	12	77	97	100	100	100											
30	12	85	100	100	100	100												30	12	62	77	100	100	100	71	89	100	100	100						
36	12	71	89	100	100	100	81	100	100	100	100							36	12	52	64	90	100	100	59	74	100	100	100						
42	12	61	76	100	100	100	70	87	100	100	100							42	12	44	55	77	99	100	51	64	89	100	100						
48	12	53	66	93	100	100	61	76	100	100	100	54	68	95	100	100		48	12			67	87	100	44	56	78	100	100						
54	12		59	83	100	100	54	68	95	100	100	48	60	85	100	100		54	18			54	71	88	39	50	69	93	100						
60	12			74	97	100	49	61	86	100	100	43	54	76	98	100		60	18				57	72	35	45	62	83	98						
66	12				87	100	44	55	78	100	100	39	49	69	89	100		66	18					58	32	40	56	76	89						
72	12				80	97	40	51	71	92	100	36	45	63	82	100		72	18					45	30	37	55	70	82						
78	12					87	37	47	66	85	100	33	42	58	75	92		78	24							34	48	64	75						
84	12					75	35	43	61	78	96	31	39	54	70	86		84	24							44	59	70							
90	12						32	40	57	73	90	29	36	51	65	80		90	24							41	62	65							
96	12							38	53	69	84		34	48	61	75		96	24							38	51	61							
102	18							36	50	65	79		32	45	57	71		102	24								46	55							
108	18								47	61	75			42	54	67		108	24								42	50							
114	18								45	58	71			40	52	63		114	24									45							
120	18								43	55	67			38	49	60		120	24									40							
126	18									52	64				47	57																			
132	18									50	61				44	54																			
138	18									48	58				42	52																			
144	18										56					50																			

- NOTE:**
- When directed, camber pipe culverts upward from a chord through the inlet and outlet inverts an ordinate amount equal to 1% of the pipe length. Develop camber on a parabolic curve. If the midpoint elevation on the parabolic curve as designed exceeds the elevation of the inlet invert, reduce the amount of camber or increase the pipe culvert gradient.
 - Fill heights exceeding 100 feet require special analysis by the CO.
 - The fill heights in the table are for helical lockseam and welded seam pipe only. Fill heights for culvert pipe with annular corrugations are more restrictive than those of helical lockseam and welded seam pipe. Obtain approval before furnishing annular corrugation pipe.
 - Measure minimum cover from the top of the pipe culvert to the subgrade for flexible pavements, and to the top of the pavement for rigid pavements. Measure maximum fill height from the top of the pipe to the top of the pavement for both flexible and rigid pavement.

METAL PIPE ARCH CULVERT

FILL HEIGHT AND METAL THICKNESS TABLE FOR HELICAL LOCKSEAM AND WELDED SEAM PIPE CULVERT

		STEEL										ALUMINUM																								
PIPE ARCH SIZE SPAN x RISE INCHES	EQUI-VALENT DIAMETER INCHES	MINIMUM CORNER RADIUS INCHES	MINIMUM COVER INCHES	2 3/8" x 1/2" CORRUGATIONS					3" x 1" CORRUGATIONS					5" x 1" CORRUGATIONS					PIPE ARCH SIZE SPAN x RISE INCHES	EQUI-VALENT DIAMETER INCHES	MINIMUM CORNER RADIUS INCHES	MINIMUM COVER INCHES	2 3/8" x 1/2" CORRUGATIONS					3" x 1" CORRUGATIONS								
				METAL THICKNESS (INCH/GAGE)										METAL THICKNESS (INCH/GAGE)																						
				0.064/16 0.079/14 0.109/12 0.138/10 0.168/8 0.079/14 0.109/12 0.138/10 0.168/8 0.079/14 0.109/12 0.138/10 0.168/8										0.060/16 0.075/14 0.105/12 0.135/10 0.164/8 0.060/16 0.075/14 0.105/12 0.135/10 0.164/8																						
MAXIMUM FILL HEIGHT ABOVE TOP OF PIPE (FEET)																																				
17 x 13	15	3	12	13														17 x 13	15	3	12	13														
21 x 15	18	3	12	12														21 x 15	18	3	12	12														
24 x 18	21	3	12	13														24 x 18	21	3	12	13														
28 x 20	24	3	12	13														28 x 20	24	3	12	13														
35 x 24	30	3	12	12														35 x 24	30	3	12	12														
42 x 29	36	3.5	12	12														42 x 29	36	3.5	15	12														
49 x 33	42	4	12		12													49 x 33	42	4	15			12												
57 x 38	48	5	12			12												57 x 38	48	5	15				12											
60 x 46	54	8	15									21						60 x 46	54	8	15						21									
64 x 43	54	6	12			12												64 x 43	54	6	18				12											
66 x 51	60	9	15									21						66 x 51	60	9	18						21									
71 x 47	60	7	12			12												71 x 47	60	7	18															
73 x 55	66	12	18									20						73 x 55	66	12	18						20									
77 x 52	66	8	12															77 x 52	66	8	18															
81 x 59	72	14	18										17					81 x 59	72	14	21														17	
83 x 57	72	9	12											17				83 x 57	72	9	18														17	
87 x 63	78	14	18															87 x 63	78	14	21														17	
95 x 67	84	16	18															95 x 67	84	16	24															
103 x 71	90	16	18															103 x 71	90	16	24															
112 x 75	96	18	21															112 x 75	96	18	24															16
117 x 79	102	18	21															117 x 79	102	18	24															16
128 x 83	108	18	24											16				128 x 83	108	18	24														16	
137 x 87	114	18	24															137 x 87	114	18	24															
142 x 91	120	18	24															142 x 91	120	18	24															16

U.S. DEPARTMENT OF TRANSPORTATION
FEDERAL HIGHWAY ADMINISTRATION
FEDERAL LANDS HIGHWAY

U.S. CUSTOMARY STANDARD

METAL PIPE CULVERT

STANDARD APPROVED FOR USE 12/1993
REVISED: 4/1994 6/2005

STANDARD
602-1

c:\myfiles\pw_production\lms52075\5td602-1.dgn [USC] 24 August 2015 3:46 PM

NO SCALE

METAL ROUND PIPE CULVERT

FILL HEIGHT AND METAL THICKNESS TABLE FOR HELICAL LOCKSEAM AND WELDED SEAM PIPE CULVERT

STEEL																ALUMINUM												
PIPE SIZE DIAMETER	MINIMUM COVER	68 x 13 CORRUGATIONS					75 x 25 CORRUGATIONS					125 x 25 CORRUGATIONS					PIPE SIZE DIAMETER	MINIMUM COVER	68 x 13 CORRUGATIONS					75 x 25 CORRUGATIONS				
		METAL THICKNESS																	METAL THICKNESS									
		1.63	2.01	2.77	3.51	4.27	1.63	2.01	2.77	3.51	4.27	1.63	2.01	2.77	3.51	4.27			1.52	1.91	2.67	3.43	4.17	1.52	1.91	2.67	3.43	4.17
MAXIMUM FILL HEIGHT ABOVE TOP OF PIPE (METERS)																MAXIMUM FILL HEIGHT ABOVE TOP OF PIPE (METERS)												
300	300	30.0	30.0	30.0	30.0	30.0										300	300	30.0	30.0	30.0	30.0	30.0						
375	300	30.0	30.0	30.0	30.0	30.0										375	300	30.0	30.0	30.0	30.0	30.0						
450	300	30.0	30.0	30.0	30.0	30.0										450	300	30.0	30.0	30.0	30.0	30.0						
525	300	30.0	30.0	30.0	30.0	30.0										525	300	26.9	30.0	30.0	30.0	30.0						
600	300	30.0	30.0	30.0	30.0	30.0										600	300	23.6	29.5	30.0	30.0	30.0						
750	300	25.9	30.0	30.0	30.0	30.0										750	300	18.8	23.6	30.0	30.0	30.0	21.7	27.2	30.0	30.0	30.0	
900	300	21.6	27.0	30.0	30.0	30.0	24.8	30.0	30.0	30.0	30.0					900	300	15.7	19.6	27.5	30.0	30.0	18.0	22.7	30.0	30.0	30.0	
1050	300	18.5	23.1	30.0	30.0	30.0	21.2	26.6	30.0	30.0	30.0					1050	300	13.4	16.8	23.6	30.3	30.0	15.5	19.4	27.1	30.0	30.0	
1200	300	16.2	20.2	28.4	30.0	30.0	18.5	23.2	30.0	30.0	30.0	16.5	20.7	29.0	30.0	1200	300			20.3	26.4	30.0	13.5	17.0	23.7	30.0	30.0	
1350	300		18.0	25.2	30.0	30.0	16.5	20.6	29.0	30.0	30.0	14.7	18.4	25.8	30.0	1350	450			16.5	21.6	26.7	12.0	15.1	21.1	28.2	30.0	
1500	300			22.7	29.5	30.0	14.8	18.6	26.1	30.0	30.0	13.2	16.5	23.2	29.9	1500	450			17.5	21.8	10.8	13.6	19.0	25.4	29.9		
1650	300				26.5	30.0	13.5	16.9	23.7	30.0	30.0	12.0	15.0	21.1	27.1	1650	450				17.6	9.8	12.3	17.2	23.1	27.2		
1800	300				24.3	29.7	12.3	15.4	21.7	28.0	30.0	11.0	13.8	19.3	24.9	1800	450				13.8	9.0	11.3	16.8	21.2	24.9		
1950	300					26.4	11.4	14.3	20.0	25.8	30.0	10.1	12.7	17.8	23.0	1950	600						10.4	14.6	19.5	23.0		
2100	300					22.8	10.6	13.2	18.6	23.9	29.3	9.4	11.8	16.5	21.3	2100	600							13.5	18.1	21.4		
2250	300						9.8	12.3	17.3	22.3	27.4	8.8	11.0	15.4	19.9	2250	600							12.6	18.9	19.9		
2400	300							11.6	16.2	20.9	25.7		10.3	14.5	18.6	2400	600							11.6	15.6	18.5		
2550	450							10.9	15.3	19.7	24.1		9.7	13.6	17.5	2550	600								14.1	16.7		
2700	450								14.4	18.6	22.8			12.8	16.6	2700	600								12.7	15.1		
2850	450								13.7	17.6	21.6			12.2	15.7	2850	600									13.6		
3000	450								13.0	16.7	20.5			11.6	14.9	3000	600									12.2		
3150	450									15.9	19.5				14.2	17.4												
3300	450									15.2	18.6				13.5	16.6												
3450	450									14.5	17.8				12.9	15.8												
3600	450									17.1					15.2													

NOTE:

- When directed, camber pipe culverts upward from a chord through the inlet and outlet inverts an ordinate amount equal to 1% of the pipe length. Develop camber on a parabolic curve. If the midpoint elevation on the parabolic curve as designed exceeds the elevation of the inlet invert, reduce the amount of camber or increase the pipe culvert gradient.
- Fill heights exceeding 30 meters require special analysis by the CO.
- The fill heights in the table are for helical lockseam and welded seam pipe only. Fill heights for culvert pipe with annular corrugations are more restrictive than those of helical lockseam and welded seam pipe. Obtain approval before furnishing annular corrugation pipe.
- Measure minimum cover from the top of the pipe culvert to the subgrade for flexible pavements, and to the top of the pavement for rigid pavements. Measure maximum fill height from the top of the pipe to the top of the pavement for both flexible and rigid pavement.
- Dimensions without units are millimeters.

METAL PIPE ARCH CULVERT

FILL HEIGHT AND METAL THICKNESS TABLE FOR HELICAL LOCKSEAM AND WELDED SEAM PIPE CULVERT

STEEL														ALUMINUM																		
PIPE ARCH SIZE SPAN x RISE	EQUI-VALENT DIAMETER	MINIMUM CORNER RADIUS	MINIMUM COVER	68 x 13 CORRUGATIONS					75 x 25 CORRUGATIONS					125 x 25 CORRUGATIONS					PIPE ARCH SIZE SPAN x RISE	EQUI-VALENT DIAMETER	MINIMUM CORNER RADIUS	MINIMUM COVER	68 x 13 CORRUGATIONS					75 x 25 CORRUGATIONS				
				METAL THICKNESS																			METAL THICKNESS									
				1.63	2.01	2.77	3.51	4.27	2.01	2.77	3.51	4.27	2.01	2.77	3.51	4.27	1.52	1.91					2.67	3.43	1.52	1.91	2.67	3.43				
MAXIMUM FILL HEIGHT ABOVE TOP OF PIPE (METERS)														MAXIMUM FILL HEIGHT ABOVE TOP OF PIPE (METERS)																		
430 x 330	375	75	300	4.0														430 x 330	375	75	300	4.0										
530 x 380	450	75	300	3.7														530 x 380	450	75	300	3.7										
610 x 460	525	75	300	4.0														610 x 460	525	75	300	4.0										
710 x 510	600	75	300	4.0														710 x 510	600	75	300		4.0									
890 x 610	750	75	300	3.7														890 x 610	750	75	300		3.7									
1070 x 740	900	90	300	3.7														1070 x 740	900	90	375			3.7								
1240 x 840	1050	100	300		3.7													1240 x 840	1050	100	375			3.7								
1450 x 970	1200	125	300			3.7												1450 x 970	1200	125	375				3.7							
1520 x 1170	1350	205	375							6.4					6.4			1520 x 1170	1350	205	375					6.4						
1630 x 1090	1350	150	300			3.7												1630 x 1090	1350	150	450				3.7							
1680 x 1300	1500	230	375								6.4				6.4			1680 x 1300	1500	230	450					6.4						
1800 x 1190	1500	180	300			3.7												1800 x 1190	1500	180	305	450					6.1					
1850 x 1400	1650	305	450							6.1					6.1			1850 x 1400	1650	305	525						5.2					
1960 x 1320	1650	205	300					3.7										1960 x 1320	1650	205	525						5.2					
2060 x 1500	1800	355	450						5.2						5.2			2060 x 1500	1800	355	600						5.2					
2110 x 1450	1800	230	300			3.7												2110 x 1450	1800	230	600						5.2					
2210 x 1600	1950	355	450						5.2						5.2			2210 x 1600	1950	355	600						5.2					
2410 x 1700	2100	405	450						5.2						5.2			2410 x 1700	2100	405	600						5.2					
2620 x 1800	2250	405	450							5.2					5.2			2620 x 1800	2250	405	600							5.2				
2840 x 1910	2400	455	525							4.9					4.9																	
2970 x 2010	2550	455	525							4.9					4.9																	
3250 x 2110	2700	455	600								4.9					4.9																
3480 x 2210	2850	455	600								4.9					4.9																
3610 x 2310	3000	455	600									4.9				4.9																

NO SCALE

U.S. DEPARTMENT OF TRANSPORTATION FEDERAL HIGHWAY ADMINISTRATION FEDERAL LANDS HIGHWAY	
METRIC STANDARD	
METAL PIPE CULVERT	
STANDARD APPROVED FOR USE 3/1996 REVISED: 10/1997 6/2005	STANDARD M602-1

COUPLING BANDS FOR METAL PIPE CULVERT ^[1]					
CORRUGATION SIZE ^[2] INCHES	ROUND PIPE DIAMETER INCHES	PIPE ARCH SPAN × RISE INCHES	MINIMUM BAND WIDTH (INCHES)		
			ANNULAR CORRUGATED BANDS ^[3]	HELICALLY CORRUGATED BANDS ^[4]	SEMI-CORRUGATED BANDS ^[5]
1½ × ¼	underdrain ^[6]	-	10.5	7	10.5
2¾ × ½	12 to 36	17 × 13 to 42 × 29	7	12	
	42 to 72	49 × 33 to 83 × 57	10.5	12	
3 × 1	78 to 84	-	10.5	12	10.5
	36 to 72	60 × 46 to 81 × 59	12	14	10.5
5 × 1	78 to 144	87 × 64 to 142 × 91	12	14	10.5
	36 to 72	60 × 46 to 81 × 59	20	22	
	78 to 144	87 × 64 to 142 × 91	20	22	

^[1] Fabricate annular, helical and semi-corrugated type coupling bands from the same metal as the connecting pipe. Provide coupling bands not more than 3 nominal sheet thicknesses thinner than the thickness of the pipe to be connected, and no thinner than 0.052 inch for steel or 0.048 inch for aluminum. Fasten coupling bands with the following diameter of bolt: ¾" for 18" round culvert (21" × 15" pipe arch) or less, ½" for 21" round culvert (24" × 18" pipe arch) or more.

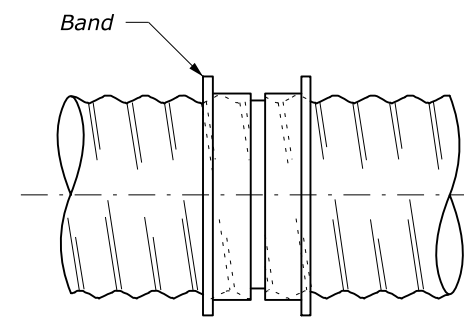
^[2] For helically corrugated pipe with rerolled ends, the nominal corrugations size refers to the dimension of the end corrugation in the pipe.

^[3] Use annular corrugated bands with pipes having annular corrugations or with helical pipe having rerolled end to form annular corrugations. A 10.5 inch band is acceptable on pipe ends rerolled with 2¾" × ½" corrugations. A 12 inch band is acceptable on pipe ends rerolled with 3" × 1" pipe corrugations.

^[4] Use helical corrugated bands with pipes having helically corrugated ends.

^[5] The minimum band widths shown for 3" × 1" and 5" × 1" corrugated sizes apply to 2¾" × ½" corrugations on rerolled pipe ends.

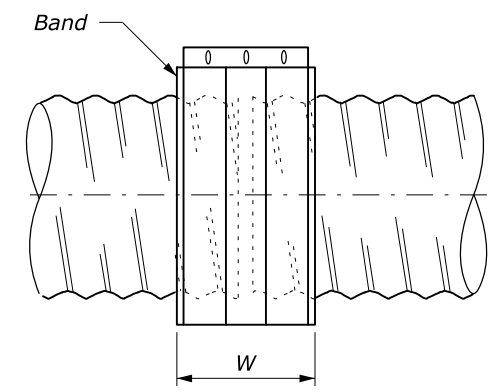
^[6] Smooth sleeve-type couplers and flat bands may be used for pipe diameters of 12" or less. Use a matching metal having a nominal thickness of not less than 0.040 inch for steel, or 0.036 inch for aluminum, or a plastic with an equivalent strength to metal.



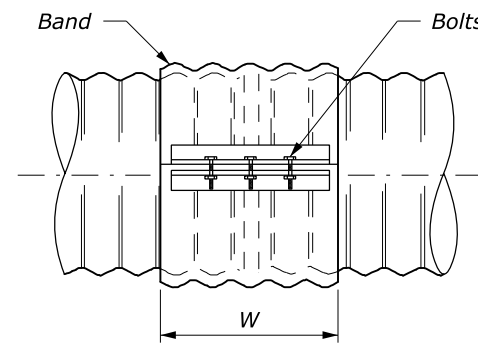
SLEEVE JOINT

Smoother sleeve with center stop.
Stab type joint

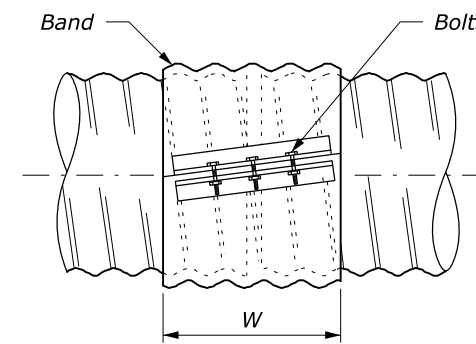
SMOOTH SLEEVE BAND



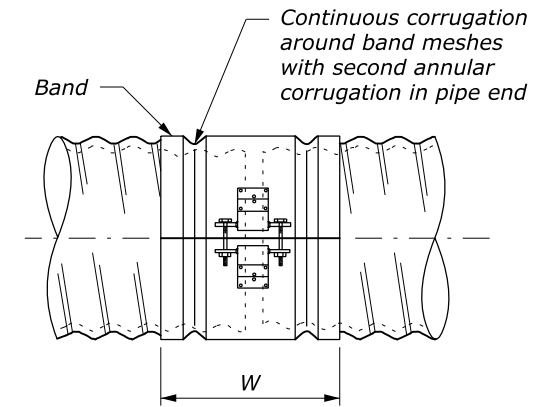
FLAT BAND



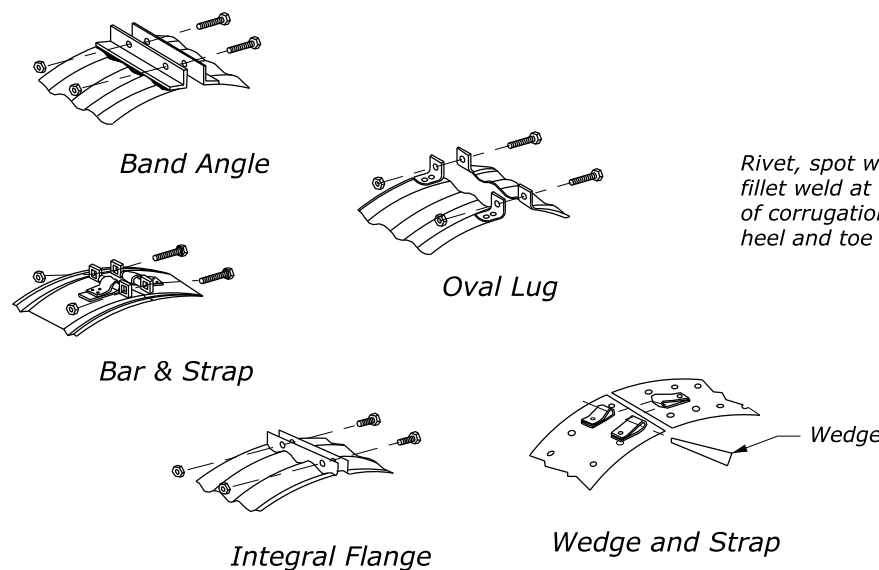
SIDE VIEW



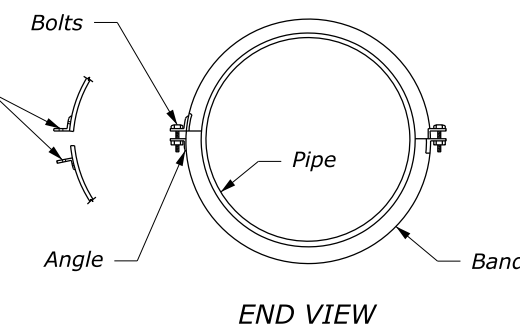
SIDE VIEW



SIDE VIEW



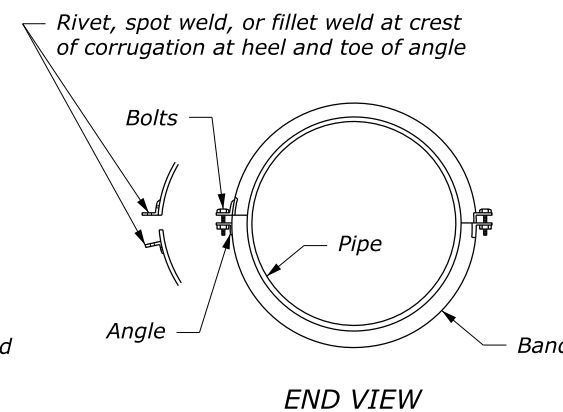
STANDARD BAND CONNECTIONS



END VIEW

Second angle connection optional to 42" diameter, required above 42" diameter

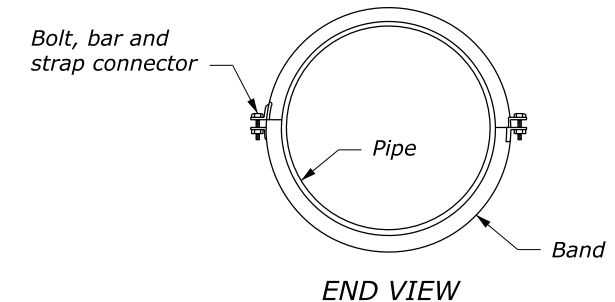
ANNULAR BAND



END VIEW

Second angle connection optional to 42" diameter, required above 42" diameter

HELICAL BAND



END VIEW

SEMI-CORRUGATED BAND

U.S. DEPARTMENT OF TRANSPORTATION FEDERAL HIGHWAY ADMINISTRATION FEDERAL LANDS HIGHWAY	
U.S. CUSTOMARY STANDARD	
METAL PIPE CULVERT COUPLING BAND	
STANDARD APPROVED FOR USE 12/1993 REVISED: 4/1994 6/2005	STANDARD 602-2

NOTE:

1. Watertight pipe joints are not required unless specified in the Special Contract Requirements.
2. Other types of coupling bands or fastening devices that comply with the joint performance criteria of AASHTO Standard specifications for Highway Bridges, Division II Section 26 may be used.

NO SCALE

COUPLING BANDS FOR METAL PIPE CULVERT ^[1]					
CORRUGATION SIZE ^[2]	ROUND PIPE DIAMETER	PIPE ARCH SPAN × RISE	MINIMUM BAND WIDTH		
			ANNULAR CORRUGATED BANDS ^[3]	HELICALLY CORRUGATED BANDS ^[4]	SEMI-CORRUGATED BANDS ^[5]
38 × 6.5	underdrain ^[6]	-	265	180	265
68 × 13	300 to 900	430 × 330 to 1060 × 740	180	300	
	1050 to 1800	1240 × 840 to 2100 × 1450	265	300	
75 × 25	1950 to 2100	-	265	300	265
	900 to 1800	1520 × 1170 to 2050 × 1500	300	350	265
125 × 25	1950 to 3600	2200 × 1620 to 3600 × 2320	300	350	265
	900 to 1800	1520 × 1170 to 2050 × 1500	500	560	
	1950 to 3600	2200 × 1620 to 3600 × 2320	500	560	

^[1] Fabricate annular, helical and semi-corrugated type coupling bands from the same metal as the connecting pipe. Provide coupling bands not more than 3 nominal sheet thicknesses thinner than the thickness of the pipe to be connected, and no thinner than 1.32 mm for steel or 1.2 mm for aluminum. Fasten coupling bands with the following diameter of bolt: M10 for 450 round culvert (530 × 380 pipe arch) or less; M12 for 525 round culvert (610 × 460 pipe arch) or more.

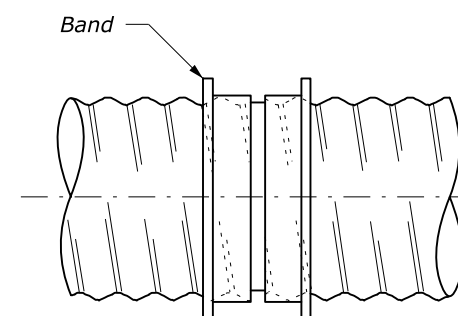
^[2] For helically corrugated pipe with rerolled ends, the nominal corrugations size refers to the dimension of the end corrugation in the pipe.

^[3] Use annular corrugated bands with pipes having annular corrugations or with helical pipe having rerolled end to form annular corrugations. A 265 mm band is acceptable on pipe ends rerolled with 68 × 13 corrugations. A 300 mm band is acceptable on pipe ends rerolled with 75 × 25 pipe corrugations.

^[4] Use helical corrugated bands with pipes having helically corrugated ends.

^[5] The minimum band widths shown for 75 × 25 and 125 × 25 corrugated sizes apply to 68 × 13 corrugations on rerolled pipe ends.

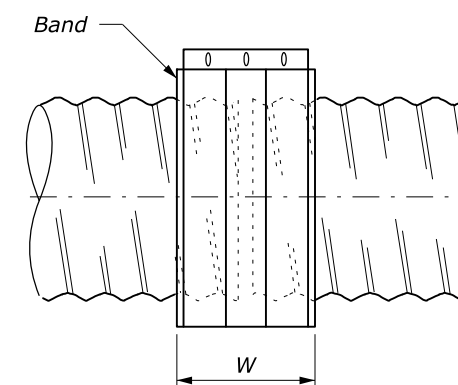
^[6] Smooth sleeve-type couplers and flat bands may be used for pipe diameters of 300 or less. Use a matching metal having a nominal thickness of not less than 1.02 mm for steel, or 0.91 mm for aluminum, or a plastic with an equivalent strength to metal.



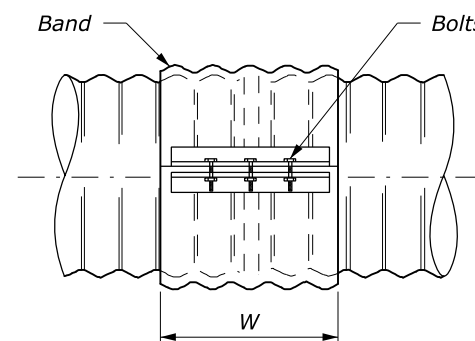
SLEEVE JOINT

Smoother sleeve with center stop.
Stab type joint

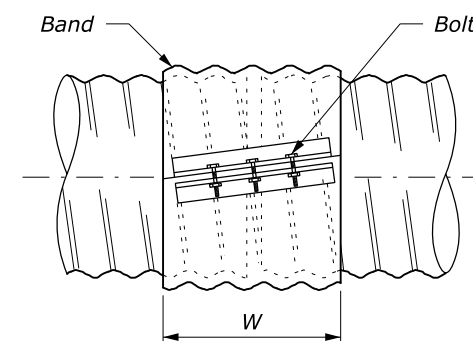
SMOOTH SLEEVE BAND



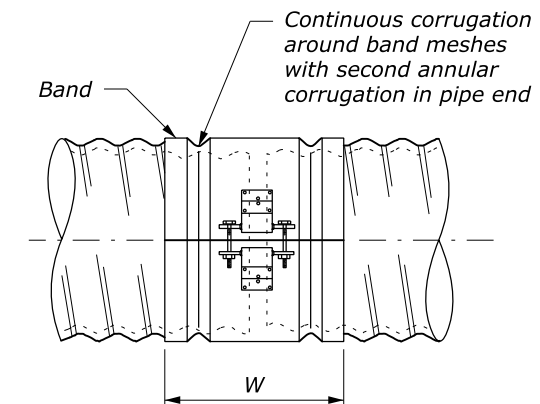
FLAT BAND



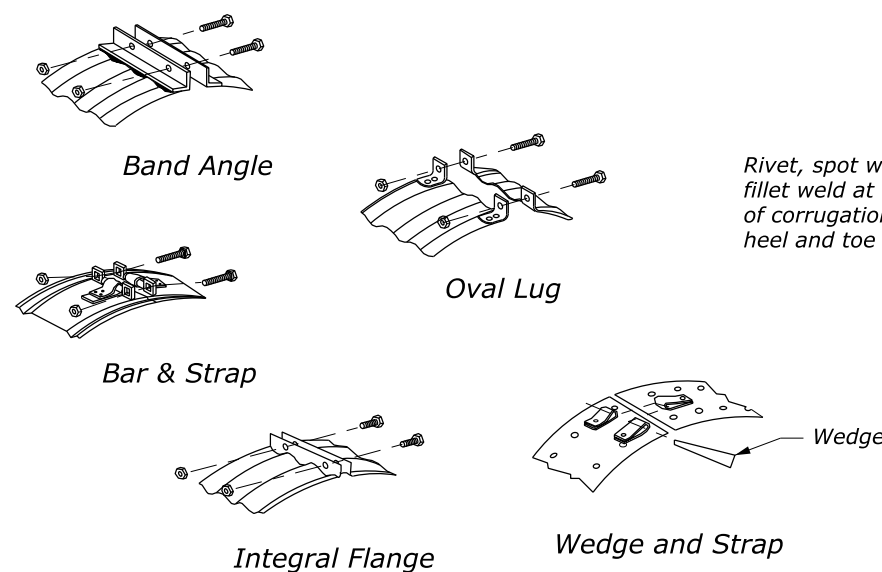
SIDE VIEW



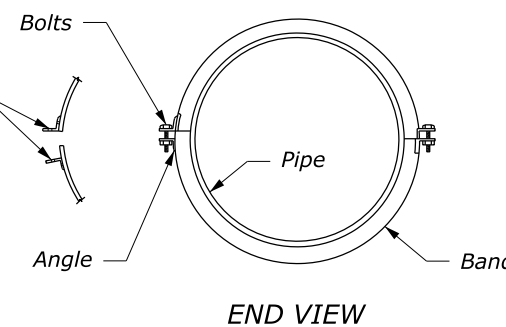
SIDE VIEW



SIDE VIEW



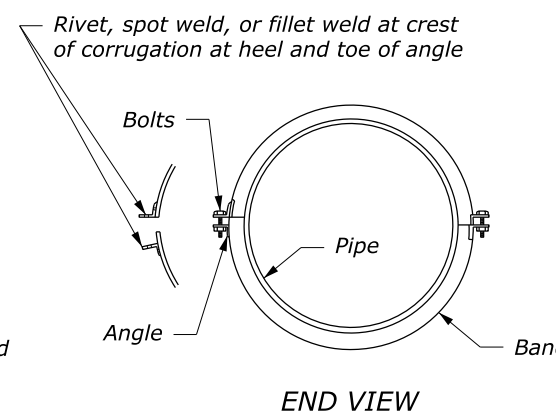
STANDARD BAND CONNECTIONS



END VIEW

Second angle connection optional to 1050 diameter, required above 1050 diameter

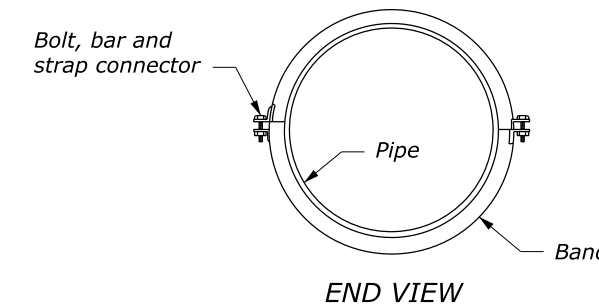
ANNULAR BAND



END VIEW

Second angle connection optional to 1050 diameter, required above 1050 diameter

HELICAL BAND



END VIEW

SEMI-CORRUGATED BAND

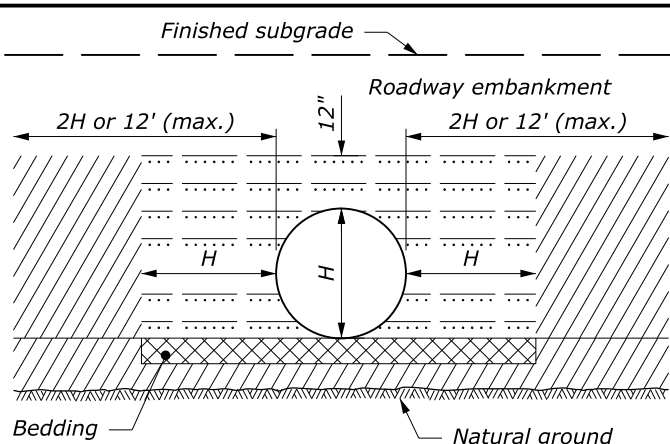
U.S. DEPARTMENT OF TRANSPORTATION
FEDERAL HIGHWAY ADMINISTRATION
FEDERAL LANDS HIGHWAY
METRIC STANDARD

**METAL PIPE CULVERT
COUPLING BAND**

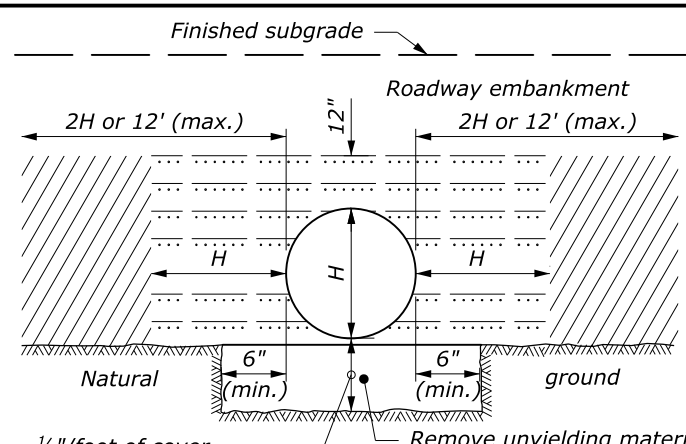
STANDARD APPROVED FOR USE 3/1996
REVISED: 8/1997 6/2005

STANDARD
M602-2

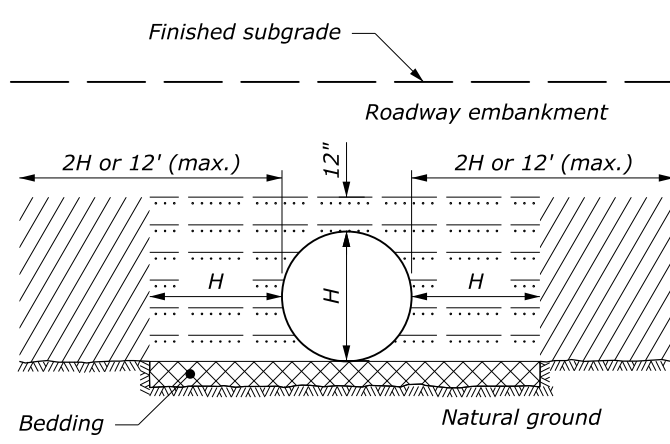
NO SCALE



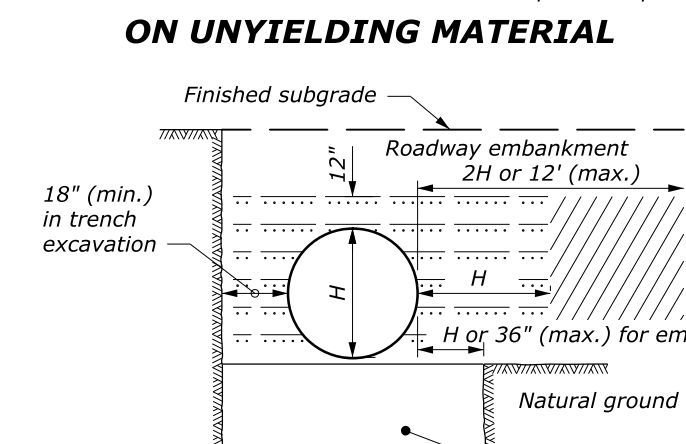
ABOVE NATURAL GROUND



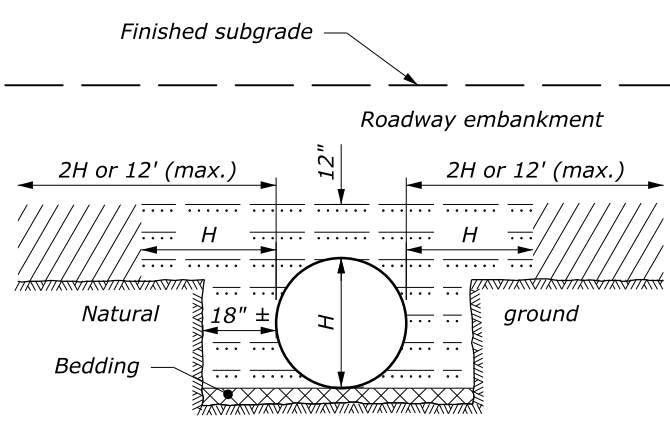
ON UNYIELDING MATERIAL



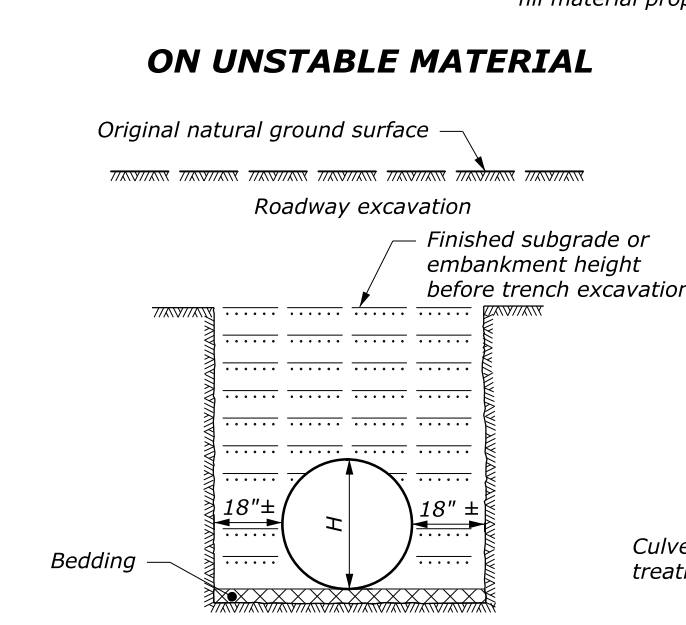
ON NATURAL GROUND



ON UNSTABLE MATERIAL



ABOVE AND BELOW NATURAL GROUND



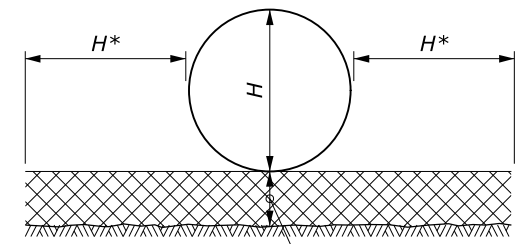
BELOW NATURAL GROUND OR TRENCH EXCAVATION IN EMBANKMENT

- LEGEND:**
- Bedding material (uncompacted)
 - Embankment material placed in layers not exceeding 6" compacted depth.
 - Compacted backfill material placed in layers not exceeding 6" compacted depth. Or lean concrete backfill in accordance with Section 614.
 - Impermeable backfill material.

BEDDING DEPTH	
PIPE SIZE (H)	DEPTH
12" to 54"	4"
> 54"	6"

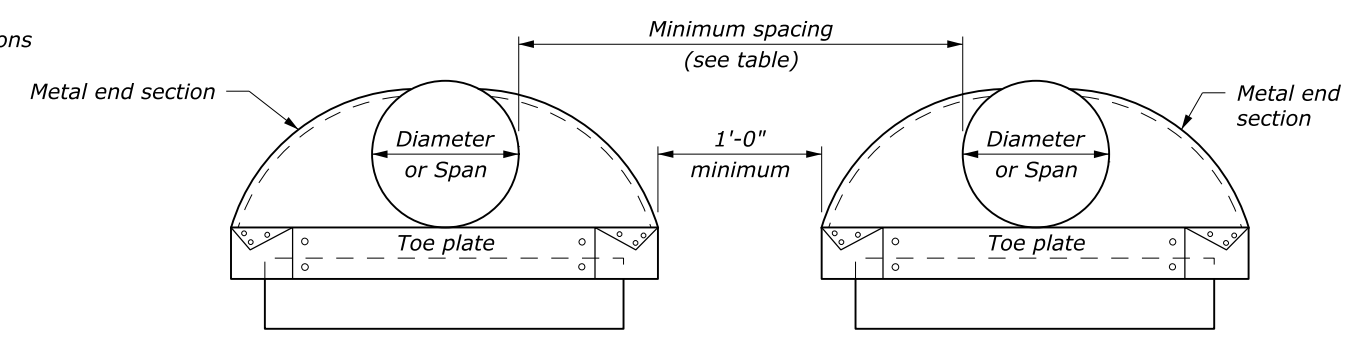
NOTE:

- When directed, camber pipe culverts upward from a chord through the inlet and outlet inverts an ordinate amount equal to 1% of the pipe length. Develop camber on a parabolic curve. If the midpoint elevation on the parabolic curve as designed exceeds the elevation of the inlet invert, reduce the amount of camber or increase the pipe culvert gradient.
- H equals the diameter of all round pipe culverts or the rise dimension of all pipe arch culverts.
- See Section 704 for bedding and backfill requirements.



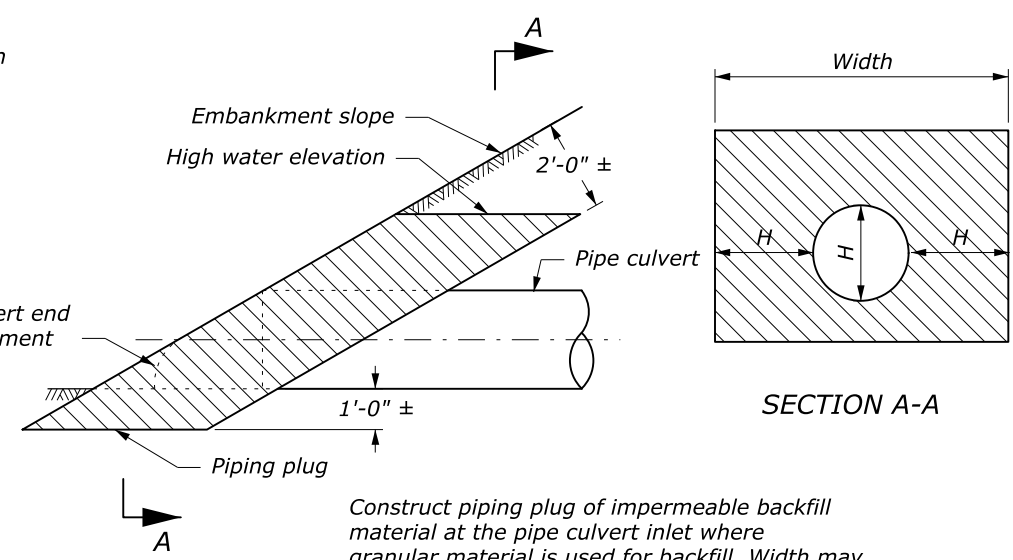
PIPE BEDDING

MINIMUM SPACING	
DIAMETER or SPAN	SPACING
UP to 48"	24"
48" and UP	Half diameter or span or 36", whichever is less



ELEVATION

MULTIPLE PIPE INSTALLATION



SECTION A-A

Construct piping plug of impermeable backfill material at the pipe culvert inlet where granular material is used for backfill. Width may be adjusted to tie into impervious material.

PIPING PLUG

NO SCALE

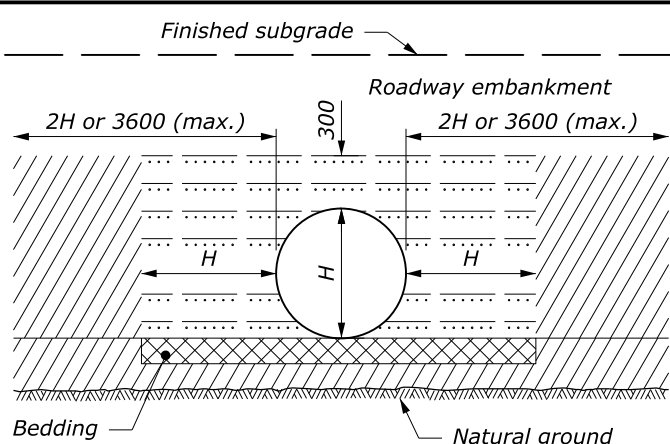
U.S. DEPARTMENT OF TRANSPORTATION
FEDERAL HIGHWAY ADMINISTRATION
FEDERAL LANDS HIGHWAY

U.S. CUSTOMARY STANDARD

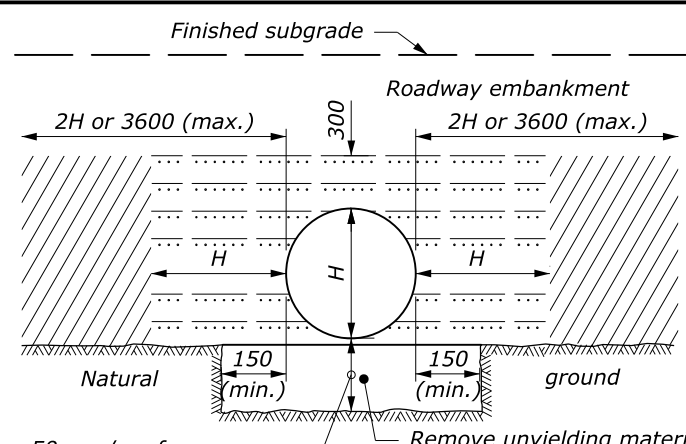
**METAL AND PLASTIC
PIPE CULVERT BEDDING**

STANDARD APPROVED FOR USE 12/1993
REVISED: 4/1994 6/2005
DRAFT: 10/2014

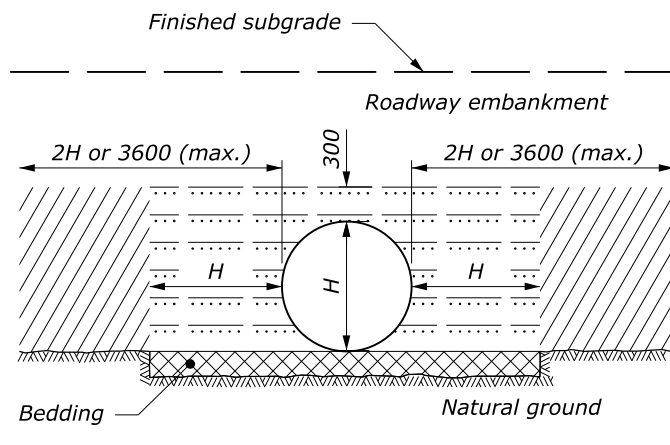
STANDARD
602-3



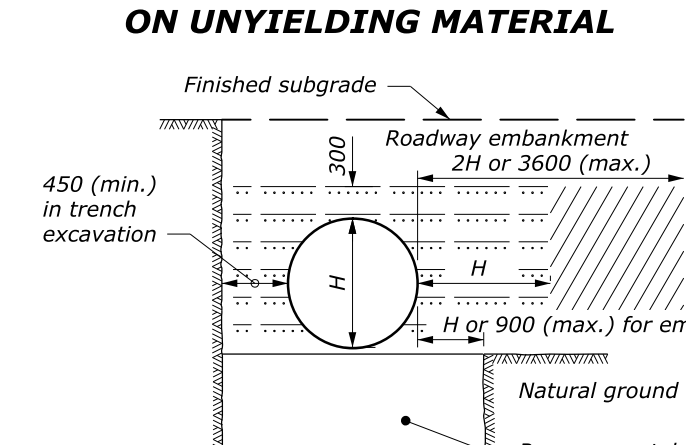
ABOVE NATURAL GROUND



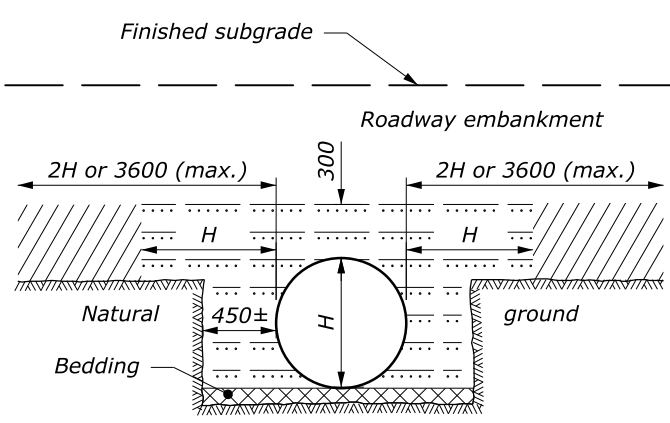
ON UNYIELDING MATERIAL



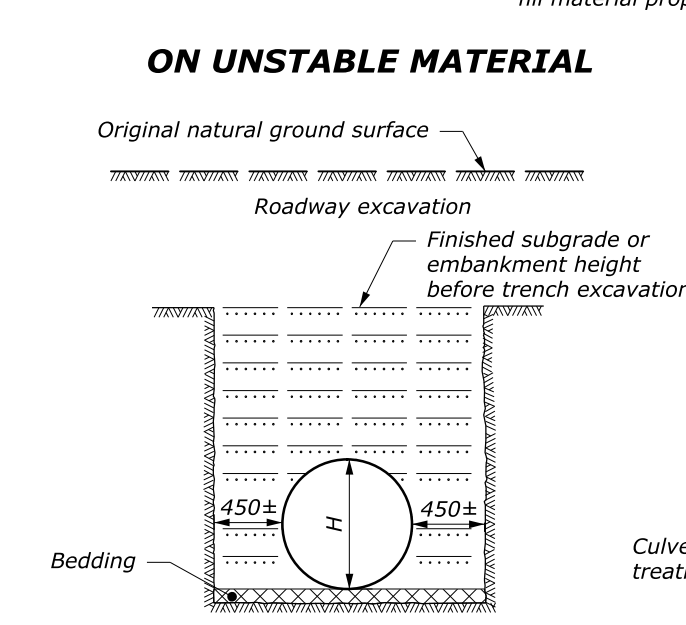
ON NATURAL GROUND



ON UNSTABLE MATERIAL

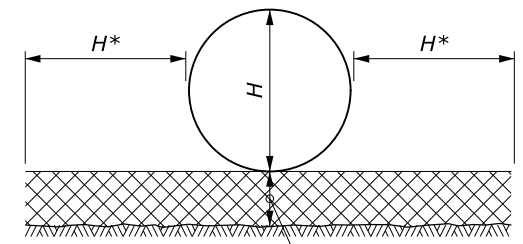


ABOVE AND BELOW NATURAL GROUND



BELOW NATURAL GROUND OR TRENCH EXCAVATION IN EMBANKMENT

BEDDING DEPTH	
PIPE SIZE (H)	DEPTH
300 to 1350	100
> 1350	150



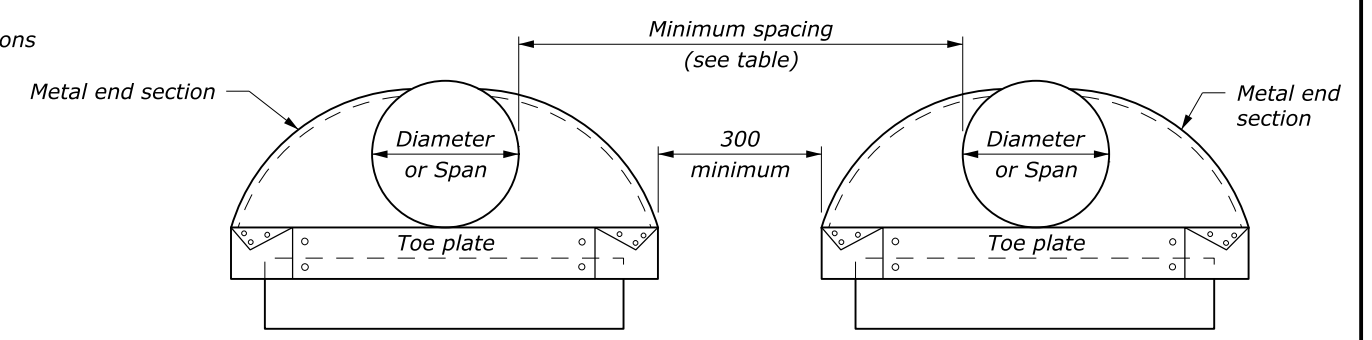
* Reduce to 450 for trench excavations
See bedding depth table

PIPE BEDDING

NOTE:

1. When directed, camber pipe culverts upward from a chord through the inlet and outlet inverts an ordinate amount equal to 1% of the pipe length. Develop camber on a parabolic curve. If the midpoint elevation on the parabolic curve as designed exceeds the elevation of the inlet invert, reduce the amount of camber or increase the pipe culvert gradient.
2. H equals the diameter of all round pipe culverts or the rise dimension of all pipe arch culverts.
3. See Section 704 for bedding and backfill requirements.
4. Dimensions without units are millimeters.

MINIMUM SPACING	
DIAMETER or SPAN	SPACING
UP to 1200	610
1200 and UP	Half diameter or span or 900, whichever is less

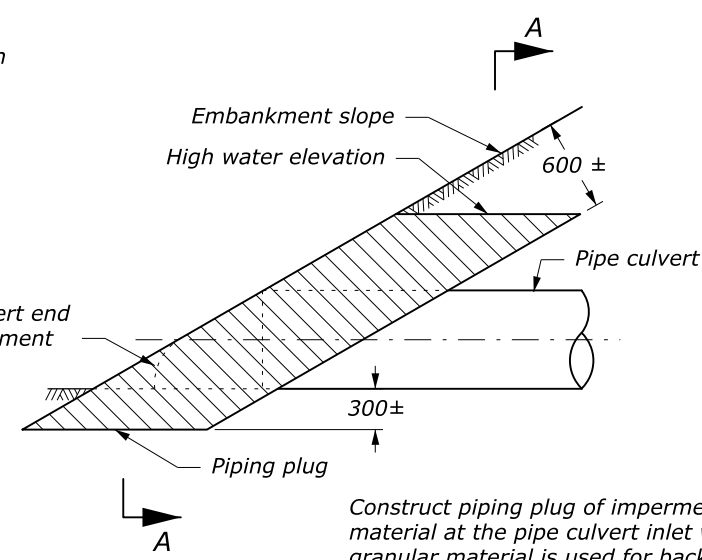


ELEVATION

MULTIPLE PIPE INSTALLATION

LEGEND:

- Bedding material (uncompacted)
- Embankment material placed in layers not exceeding 150 mm compacted depth.
- Compacted backfill material placed in layers not exceeding 150 mm compacted depth. Or lean concrete backfill in accordance with Section 614.
- Impermeable backfill material.



PIPING PLUG

Construct piping plug of impermeable backfill material at the pipe culvert inlet where granular material is used for backfill. Width may be adjusted to tie into impervious material.

NO SCALE

U.S. DEPARTMENT OF TRANSPORTATION
FEDERAL HIGHWAY ADMINISTRATION
FEDERAL LANDS HIGHWAY
METRIC STANDARD

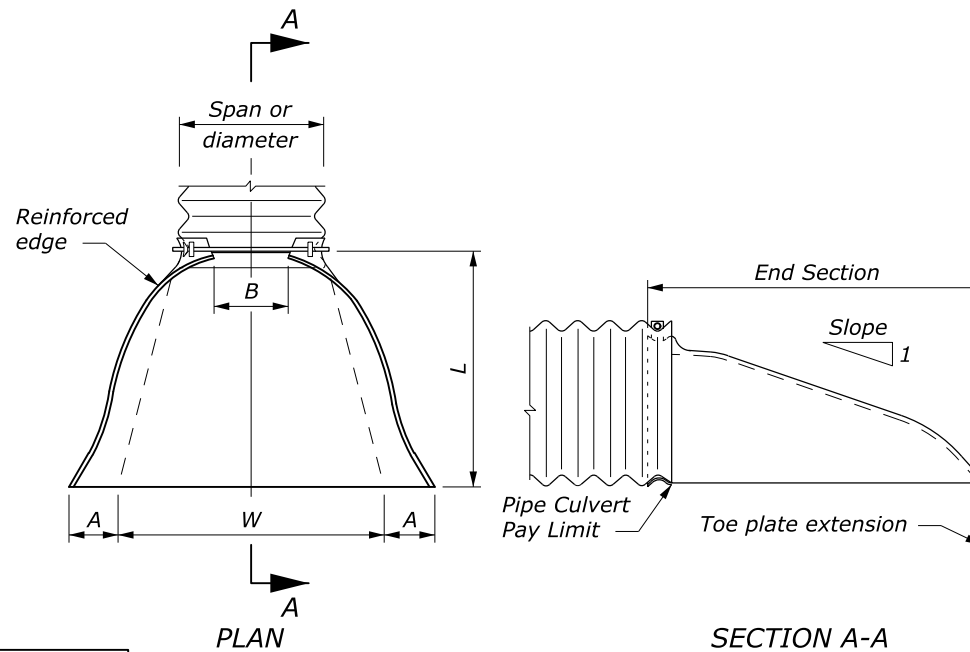
**METAL AND PLASTIC
PIPE CULVERT BEDDING**

STANDARD APPROVED FOR USE 3/1996
REVISED: 12/1998 6/2005
DRAFT: 10/2014

STANDARD
M602-3

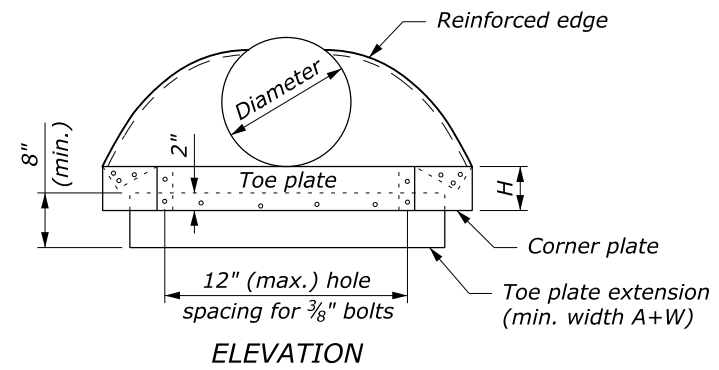
END SECTIONS FOR ROUND PIPE CULVERT

PIPE SIZE DIAMETER INCHES	METAL THICKNESS				DIMENSIONS INCHES					SLOPE Approx.
	STEEL		ALUMINUM		A (min)	B (max)	H (min)	L (±2")	W (max)	
	INCHES	GAGE	INCHES	GAGE						
12	0.064	16	0.060	16	5	7	6	21	44	2¼
15	0.064	16	0.060	16	6	8	6	26	52	2¼
18	0.064	16	0.060	16	7	10	6	31	58	2⅝
21	0.064	16	0.060	16	8	12	6	36	66	2⅝
24	0.064	16	0.060	16	9	13	6	41	72	2⅝
30	0.079	14	0.075	14	11	16	8	51	88	2⅝
36	0.079	14	0.075	14	13	19	9	60	105	2
42	0.109	12	0.105	12	15	25	10	69	122	2⅝
48	0.109	12	0.105	12	17	29	12	78	131	2
54	0.109	12	0.105	12	17	33	12	84	143	2
60	0.109	12	0.105	12	17	36	12	87	157	1⅞
66	0.109	12	0.105	12	17	39	12	87	162	1⅞
72	0.109	12	0.105	12	17	44	12	87	169	1½
78	0.109	12	0.105	12	17	48	12	87	178	1⅜
84	0.109	12	0.105	12	17	52	12	87	184	1⅜
90	0.109	12	0.105	12	17	58	12	87	188	1¼
96	0.109	12	0.105	12	17	58	12	87	197	1⅞

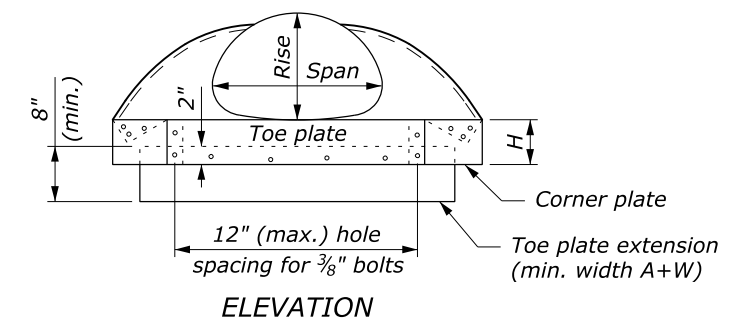


ROUND OR PIPE ARCH CULVERT

PIPE SIZE SPAN × RISE INCHES	EQUI- VALENT DIAM. (INCHES)	METAL THICKNESS				DIMENSIONS INCHES					SLOPE Approx.
		STEEL		ALUMINUM		A (min)	B (max)	H (min)	L (±2")	W (max)	
		INCHES	GAGE	INCHES	GAGE						
17 × 13	15	0.064	16	0.060	16	7	9	6	19	30	2½
21 × 15	18	0.064	16	0.060	16	7	10	6	23	36	2½
24 × 18	21	0.064	16	0.060	16	8	12	6	28	42	2½
28 × 20	24	0.064	16	0.060	16	9	14	6	32	48	2½
35 × 24	30	0.079	14	0.075	14	10	16	8	39	60	2½
42 × 29	36	0.079	14	0.075	14	12	18	9	46	75	2½
49 × 33	42	0.109	12	0.105	12	13	21	12	53	85	2½
57 × 38	48	0.109	12	0.105	12	18	26	12	63	90	2½
60 × 46	54	0.109	12	0.105	12	18	34	12	70	102	2
64 × 43	54	0.109	12	0.105	12	18	30	12	70	102	2
66 × 51	60	0.109	12	0.105	12	18	33	12	77	116	1½
71 × 47	60	0.109	12	0.105	12	18	33	12	77	114	1½
73 × 55	66	0.109	12	0.105	12	18	36	12	77	126	1½
77 × 52	66	0.109	12	0.105	12	18	36	12	77	126	1½
81 × 59	72	0.109	12	0.105	12	18	39	12	77	138	1½
83 × 57	72	0.109	12	0.105	12	18	39	12	77	138	1½
87 × 63	78	0.109	12	0.105	12	20	38	12	77	148	1½
95 × 67	84	0.109	12	0.105	12	20	34	12	87	162	1½
103 × 71	90	0.109	12	0.105	12	20	38	12	87	174	1½
112 × 75	96	0.109	12	0.105	12	20	40	12	87	174	1½



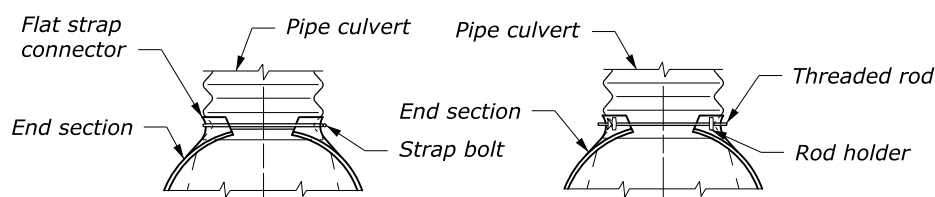
ROUND PIPE CULVERT



PIPE ARCH CULVERT

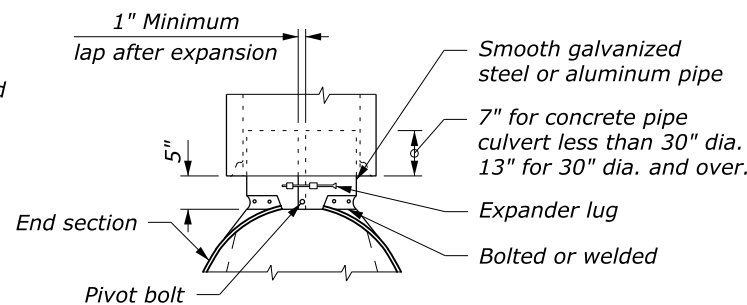
NOTE:

- Variations in design and dimensions are permitted to allow for manufacturer's standards.
- Fabricate the diameter of the end section of Design B to match the inside diameter of the concrete pipe culvert.
- Design C may be used in lieu of design A for all metal pipe culvert sizes. Coupling bands may be any acceptable type for the pipe culvert specified.
- Fabricate multiple piece bodies with lap seams tightly joined by 3/8" rivets or bolts. Fabricate end section center panels for 60" and larger diameter pipe and equivalent pipe arch from 0.138 inch steel or 0.135 inch aluminum.
- On end section center panels for 66" and larger equivalent pipe arch provide 2½" × 2½" × ¼" angle reinforcement bolted or riveted under the center panel seam.
- Supplement the reinforced edges of end sections for 60" and larger diameter pipe and 66" and larger equivalent pipe arch with 2½" × 2½" × ¼" stiffener angles attached with bolts or rivets.
- Fabricate connector section, corner plate and toe plate extensions from the same metal thickness as the panel body. Use toe plate extension where shown on the plans.
- Warp embankment slopes to match the slope of the flared end sections.

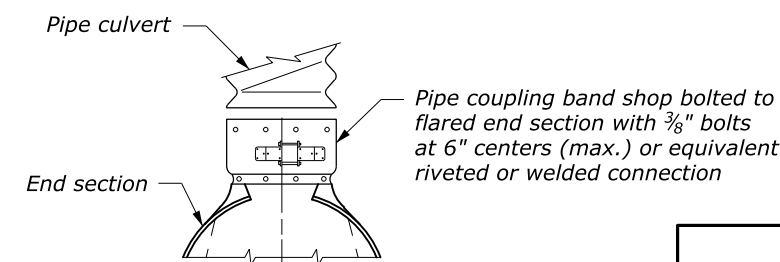


For 12" thru 24" round pipe and 17" × 13" thru 28" × 20" pipe arch For 30" thru 60" round pipe and 35" × 24" thru 66" × 51" pipe arch

DESIGN A CONNECTION TO ANNULAR CORRUGATED METAL PIPE



DESIGN B CONNECTION TO CONCRETE PIPE INLET END



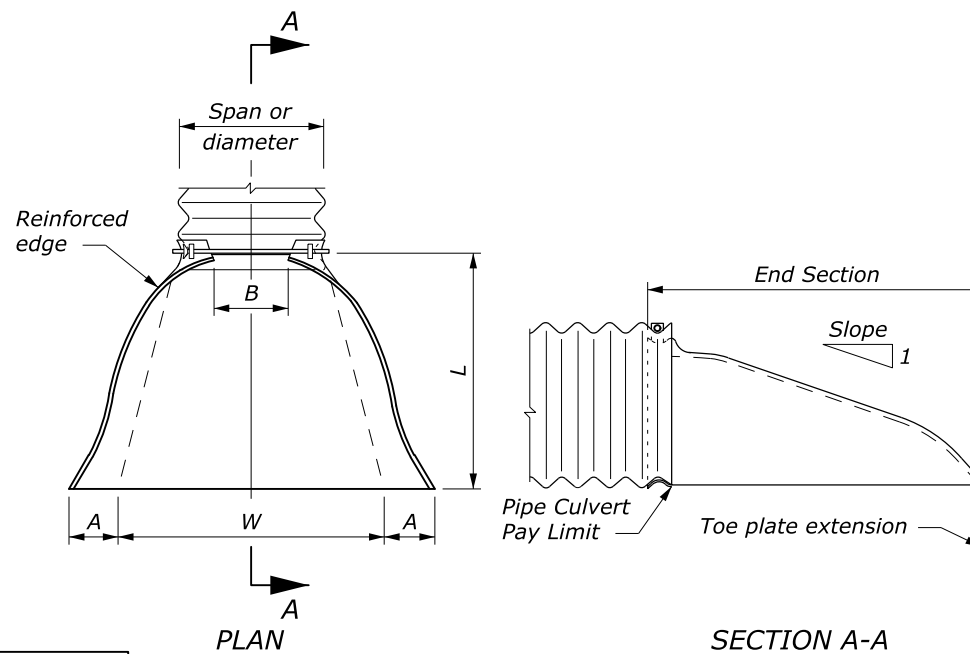
DESIGN C CONNECTION TO METAL PIPE OR OUTLET END OF CONCRETE PIPE

NO SCALE

U.S. DEPARTMENT OF TRANSPORTATION FEDERAL HIGHWAY ADMINISTRATION FEDERAL LANDS HIGHWAY	
U.S. CUSTOMARY STANDARD	
METAL END SECTIONS	
STANDARD APPROVED FOR USE 12/1993	STANDARD
REVISED: 4/1994 6/2005 DRAFT: 10/2007	602-4

END SECTIONS FOR ROUND PIPE CULVERT

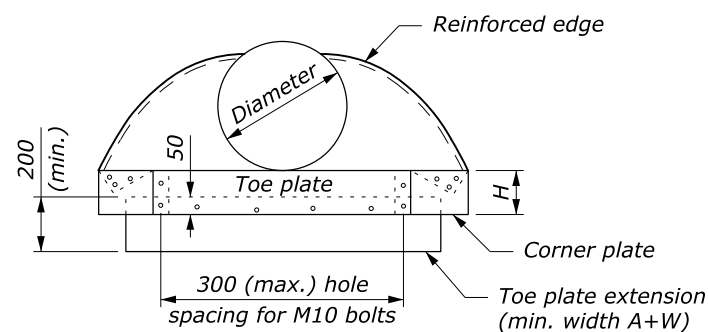
PIPE SIZE DIAMETER	METAL THICKNESS		DIMENSIONS					SLOPE Approx.
	STEEL	ALUMINUM	A (min)	B (max)	H (min)	L (±50)	W (max)	
300	1.63	1.52	125	175	150	525	1100	2¼
375	1.63	1.52	150	200	150	650	1300	2¼
450	1.63	1.52	175	250	150	775	1450	2⅝
525	1.63	1.52	200	300	150	900	1650	2⅝
600	1.63	1.52	225	325	150	1025	1800	2⅝
750	2.01	1.91	275	400	200	1275	2200	2⅝
900	2.01	1.91	325	475	225	1500	2625	2
1050	2.77	2.67	375	625	250	1725	3050	2⅝
1200	2.77	2.67	425	725	300	1950	3275	2
1350	2.77	2.67	425	825	300	2100	3575	2
1500	2.77	2.67	425	900	300	2175	3925	1⅞
1650	2.77	2.67	425	975	300	2175	4050	1⅝
1800	2.77	2.67	425	1100	300	2175	4225	1½
1950	2.77	2.67	425	1200	300	2175	4450	1⅜
2100	2.77	2.67	425	1300	300	2175	4600	1⅓
2250	2.77	2.67	425	1450	300	2175	4700	1¼
2400	2.77	2.67	425	1450	300	2175	4925	1⅞



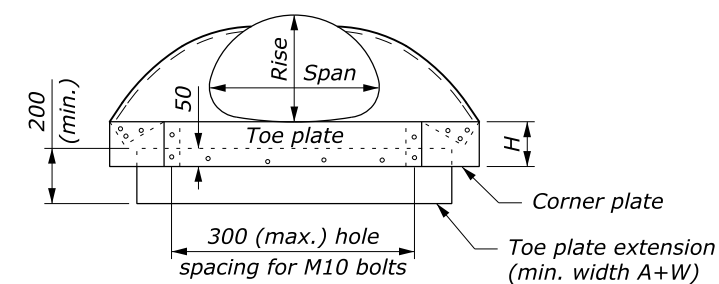
ROUND OR PIPE ARCH CULVERT

END SECTIONS FOR PIPE ARCH CULVERT

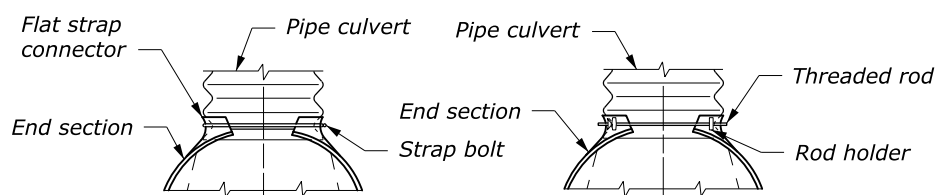
PIPE SIZE SPAN × RISE	EQUI-VALENT DIAM.	METAL THICKNESS		DIMENSIONS					SLOPE Approx.
		STEEL	ALUMINUM	A (min)	B (max)	H (min)	L (±50)	W (max)	
430 × 330	375	1.63	1.52	175	225	150	475	750	2½
530 × 380	450	1.63	1.52	175	250	150	575	900	2½
610 × 460	525	1.63	1.52	200	300	150	700	1050	2½
710 × 510	600	1.63	1.52	225	350	150	800	1200	2½
890 × 610	750	2.01	1.91	250	400	200	975	1500	2½
1070 × 740	900	2.01	1.91	300	450	225	1150	1875	2½
1240 × 840	1050	2.77	2.67	325	525	300	1325	2125	2½
1450 × 970	1200	2.77	2.67	450	650	300	1575	2250	2½
1520 × 1170	1350	2.77	2.67	450	850	300	1750	2550	2
1630 × 1090	1350	2.77	2.67	450	750	300	1750	2550	2
1680 × 1300	1500	2.77	2.67	450	825	300	1925	2900	1½
1800 × 1190	1500	2.77	2.67	450	825	300	1925	2850	1½
1850 × 1400	1650	2.77	2.67	450	900	300	1925	3150	1½
1960 × 1320	1650	2.77	2.67	450	900	300	1925	3150	1½
2060 × 1500	1800	2.77	2.67	450	975	300	1925	3450	1½
2110 × 1450	1800	2.77	2.67	450	975	300	1925	3450	1½
2210 × 1600	1950	2.77	2.67	500	950	300	1925	3700	1½
2410 × 1700	2100	2.77	2.67	500	850	300	2175	4050	1½
2620 × 1800	2250	2.77	2.67	500	950	300	2175	4350	1½
2840 × 1910	2400	2.77	2.67	500	1000	300	2175	4350	1½



ROUND PIPE CULVERT



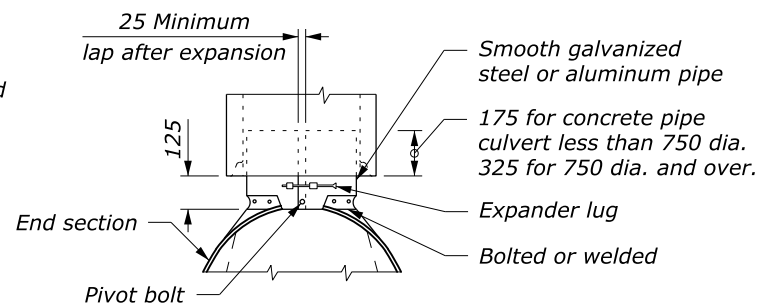
PIPE ARCH CULVERT



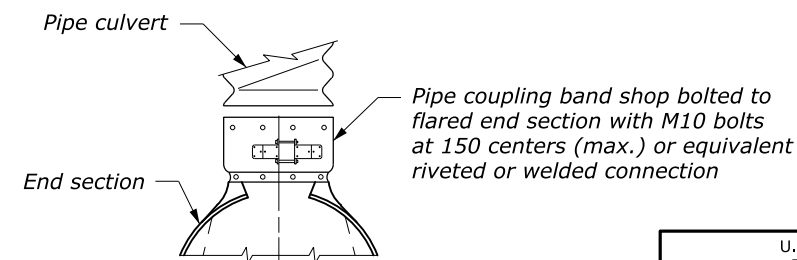
For 300 thru 600 mm round pipe and 430 × 330 mm thru 710 × 510 mm pipe arch

For 750 thru 1500 mm round pipe and 890 × 610 mm thru 1670 × 1290 mm pipe arch

DESIGN A CONNECTION TO ANNULAR CORRUGATED METAL PIPE



DESIGN B CONNECTION TO CONCRETE PIPE INLET END



DESIGN C CONNECTION TO METAL PIPE OR OUTLET END OF CONCRETE PIPE

NO SCALE

NOTE:

- Variations in design and dimensions are permitted to allow for manufacturer's standards.
- Fabricate the diameter of the end section of Design B to match the inside diameter of the concrete pipe culvert.
- Design C may be used in lieu of design A for all metal pipe culvert sizes. Coupling bands may be any acceptable type for the pipe culvert specified.
- Fabricate multiple piece bodies with lap seams tightly joined by M10 rivets or bolts. Fabricate end section center panels for 1500 mm and larger diameter pipe and equivalent pipe arch from 3.51 mm steel or 3.43 mm aluminum.
- On end section center panels for 1650 mm and larger equivalent pipe arch provide 64 × 64 × 6.4 angle reinforcement bolted or riveted under the center panel seam.
- Supplement the reinforced edges of end sections for 1500 mm and larger diameter pipe and 1650 mm and larger equivalent pipe arch with 51 × 51 × 6.4 stiffener angles attached with bolts or rivets.
- Fabricate connector section, corner plate and toe plate extensions from the same metal thickness as the panel body. Use toe plate extension where shown on the plans.
- Warp embankment slopes to match the slope of the flared end sections.
- Dimensions without units are millimeters.

POLYETHYLENE (PE) PLASTIC ROUND PIPE CULVERT

FILL HEIGHT TABLE AND MINIMUM CELL CLASSIFICATION NUMBER PER ASTM D 3350

SMOOTH WALL (SOLID WALL)								CORRUGATED			RIBBED			
PIPE SIZE DIAMETER INCHES	MINIMUM COVER INCHES	CELL CLASSIFICATION NUMBER 335434C						PIPE SIZE DIAMETER INCHES	MINIMUM COVER INCHES	CELL CLASS. NO. 435400C	PIPE SIZE DIAMETER INCHES	MINIMUM COVER INCHES	CELL CLASS. NO. 334433C	CELL CLASS. NO. 335434C
		MINIMUM WALL THICKNESS (INCHES)												
		0.607	0.857	0.923	1.154	1.385	1.292						1.477	MAXIMUM FILL HEIGHT (FEET)
12	12	57						12	12	10	18	12	18	24
18	12		52					15	12	10	24	12	22	28
24	12			38				18	12	10	30	12	22	28
30	12				38			24	12	10	36	12	25	31
36	12					38		30	12	10	42	12	21	27
42	12						27	36	12	10	48	12	21	26
48	12						27							

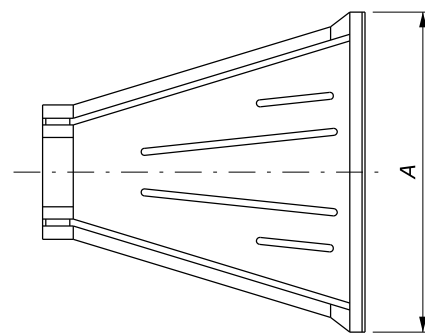
NOTE:

- When directed, camber pipe culverts upward from a chord through the inlet and outlet inverts an ordinate amount equal to 1% of the pipe length. Develop camber on a parabolic curve. If the midpoint elevation on the parabolic curve as designed exceeds the elevation of the inlet invert, reduce the amount of camber or increase the pipe culvert gradient.
- Measure minimum cover from the top of the pipe culvert to the subgrade for flexible pavements, and to the top of the pavement for rigid pavements. Measure maximum fill height from the top of the pipe to the top of the pavement for both flexible and rigid pavement.

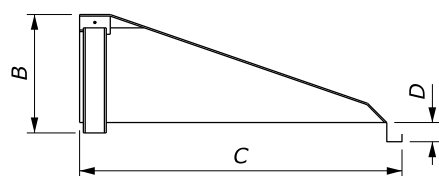
POLYVINYL CHLORIDE (PVC) PLASTIC ROUND PIPE CULVERT

FILL HEIGHT TABLE AND MINIMUM CELL CLASSIFICATION NUMBER PER ASTM D 1784

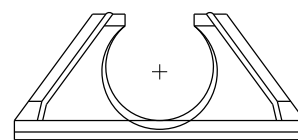
SMOOTH WALL (SOLID WALL)						RIBBED				
PIPE SIZE DIAMETER INCHES	MINIMUM COVER INCHES	CELL CLASS. NO. 12454				PIPE SIZE DIAMETER INCHES	MINIMUM COVER INCHES	CELL CLASS. NO. 12454C		CELL CLASS. NO. 12364C
		MINIMUM WALL THICKNESS (INCHES)						MAXIMUM FILL HEIGHT (FEET)		
		0.358	0.438	0.358	0.438			MAXIMUM FILL HEIGHT (FEET)		
12	12	65			69	12	12	37	26	
15	12		62		66	15	12	32	22	
						18	12	33	23	
						24	12	29	21	
						30	12	28	20	
						36	12	27	19	
						42	12	26	18	
						48	12	24	17	



TOP



SIDE



FRONT

PLASTIC PIPE END SECTION

PIPE SIZE DIAMETER INCHES	END SECTION DIMENSIONS DIMENSIONS INCHES			
	A	B	C	D
12	42	14.5	33	6
15	46	24.5	45.5	6
18	54	29	55	6
24	64	37	65	6
30	88	36	63.5	6
36	88	43	66.5	6

NO SCALE

U.S. DEPARTMENT OF TRANSPORTATION FEDERAL HIGHWAY ADMINISTRATION FEDERAL LANDS HIGHWAY	
U.S. CUSTOMARY STANDARD	
PLASTIC PIPE CULVERT	
STANDARD APPROVED FOR USE 12/1993	STANDARD
REVISED: 4/1994 6/2005 DRAFT: 2/2009	602-5

POLYETHYLENE (PE) PLASTIC ROUND PIPE CULVERT

FILL HEIGHT TABLE AND MINIMUM CELL CLASSIFICATION NUMBER PER ASTM D 3350

SMOOTH WALL (SOLID WALL)								CORRUGATED			RIBBED			
PIPE SIZE DIAMETER	MINIMUM COVER	CELL CLASSIFICATION NUMBER 335434C						PIPE SIZE DIAMETER	MINIMUM COVER	CELL CLASS. NO. 435400C	PIPE SIZE DIAMETER	MINIMUM COVER	CELL CLASS. NO. 334433C	CELL CLASS. NO. 335434C
		MINIMUM WALL THICKNESS												
		15.4	21.7	23.4	29.3	35.1	32.8						37.5	MAXIMUM FILL HEIGHT (METERS)
300	300	17.5						300		3.0	450	300	5.5	7.5
450	300		16					375	300	3.0	600	300	6.5	8.5
600	300			11.5				450	300	3.0	750	300	6.5	8.5
750	300				11.5			600	300	3.0	900	300	7.5	9.5
900	300					11.5		750	300	3.0	1050	300	6.5	8.0
1050	300						8.0	900	300	3.0	1200	300	6.5	8.0
1200	300													8.0

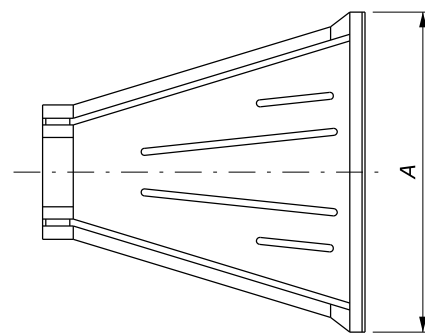
NOTE:

- When directed, camber pipe culverts upward from a chord through the inlet and outlet inverts an ordinate amount equal to 1% of the pipe length. Develop camber on a parabolic curve. If the midpoint elevation on the parabolic curve as designed exceeds the elevation of the inlet invert, reduce the amount of camber or increase the pipe culvert gradient.
- Measure minimum cover from the top of the pipe culvert to the subgrade for flexible pavements, and to the top of the pavement for rigid pavements. Measure maximum fill height from the top of the pipe to the top of the pavement for both flexible and rigid pavement.
- Dimensions without units are millimeters.

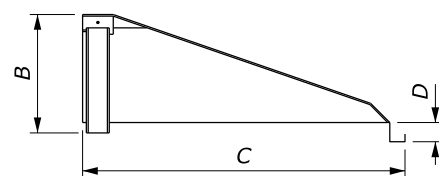
POLYVINYL CHLORIDE (PVC) PLASTIC ROUND PIPE CULVERT

FILL HEIGHT TABLE AND MINIMUM CELL CLASSIFICATION NUMBER PER ASTM D 1784

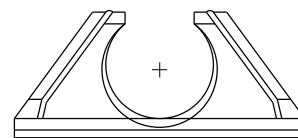
SMOOTH WALL (SOLID WALL)						RIBBED			
PIPE SIZE DIAMETER	MINIMUM COVER	CELL CLASS. NO. 12454		CELL CLASS. NO. 12364		PIPE SIZE DIAMETER	MINIMUM COVER	CELL CLASS. NO. 12454C	CELL CLASS. NO. 12364C
		MINIMUM WALL THICKNESS							
		9.1	11.1	9.1	11.1			MAXIMUM FILL HEIGHT (METERS)	
300	300	20		21		300	300	11.0	8.0
375	300		19		20	375	300	9.5	6.5
						450	300	10.0	7.0
						600	300	9.0	6.5
						750	300	8.5	6.0
						900	300	8.5	6.0
						1050	300	8.0	5.5
						1200	300	7.5	5.5



TOP



SIDE



FRONT

PLASTIC PIPE END SECTION

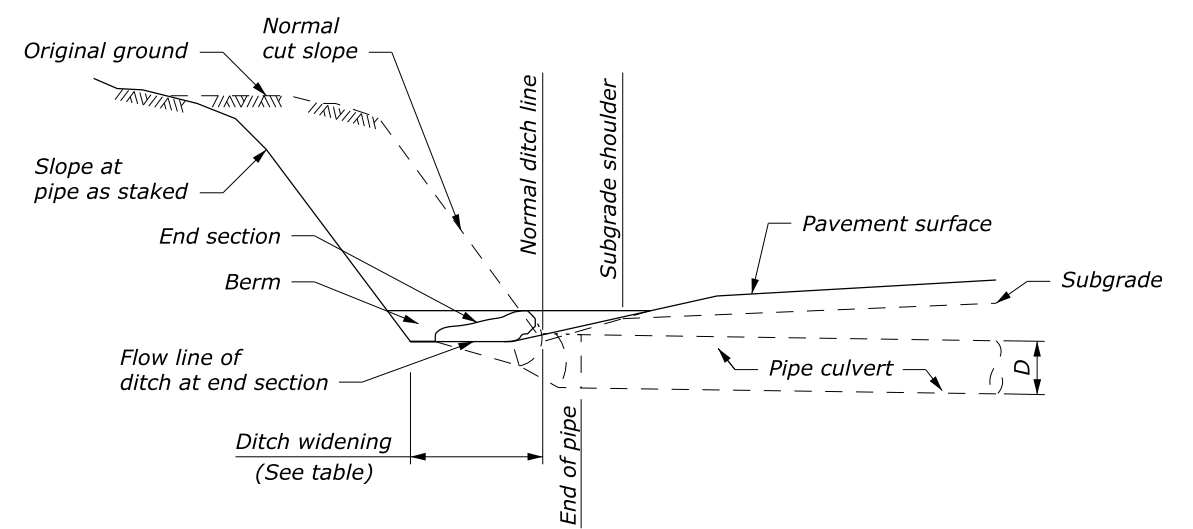
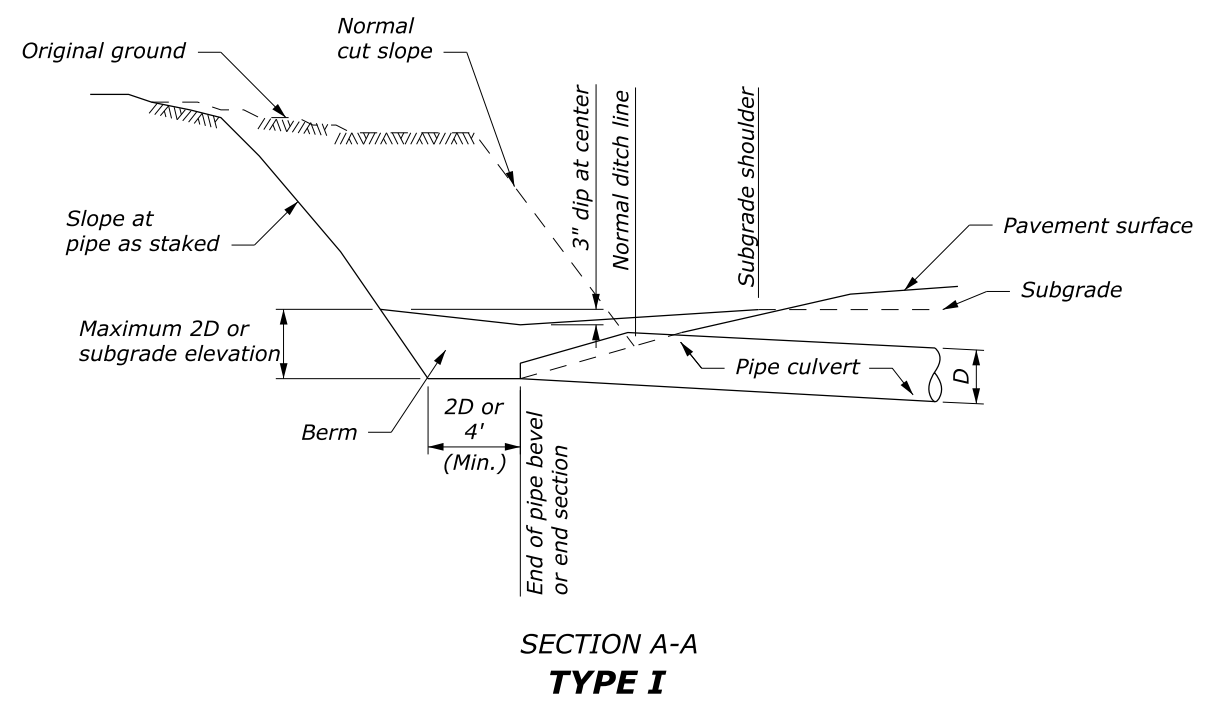
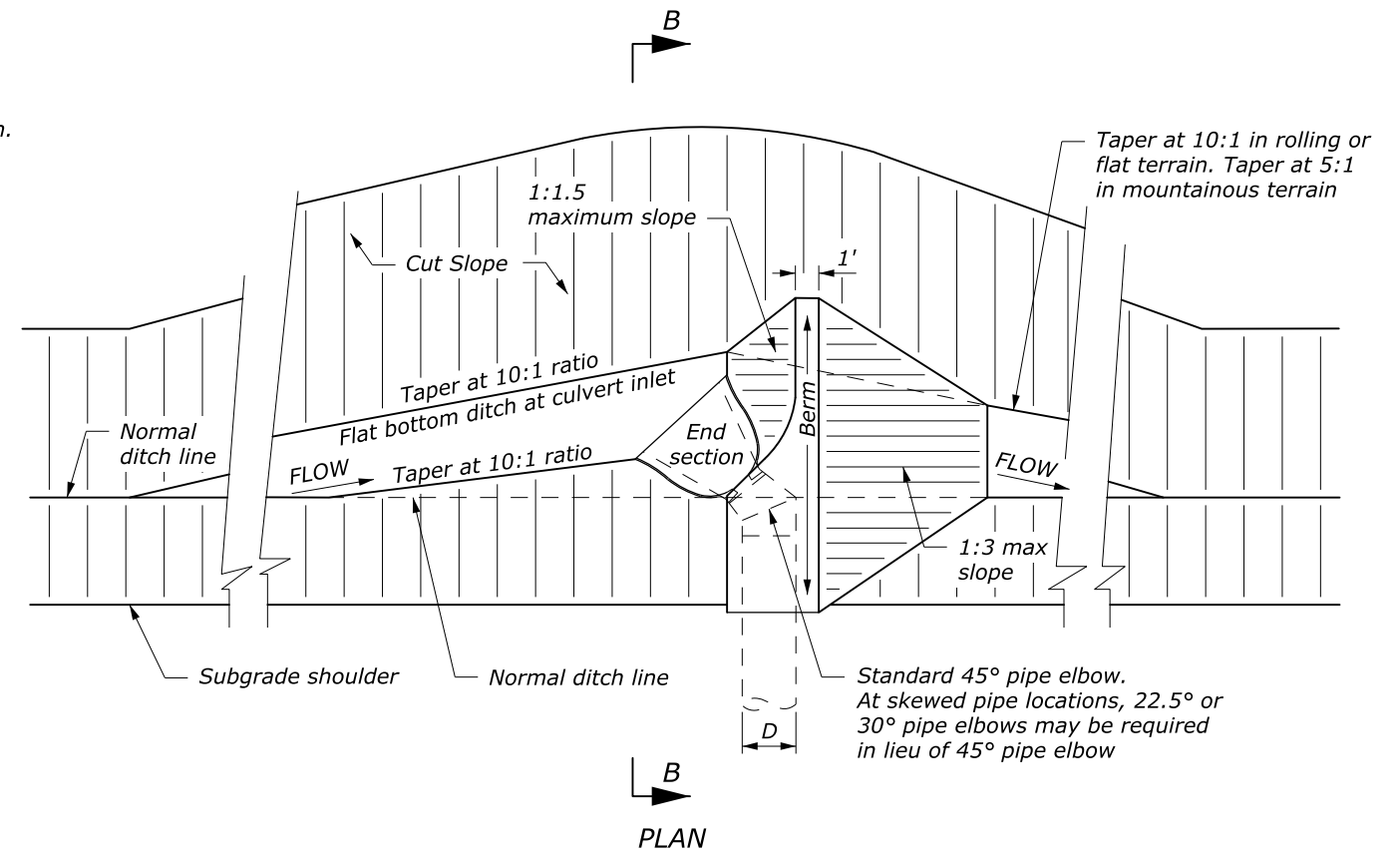
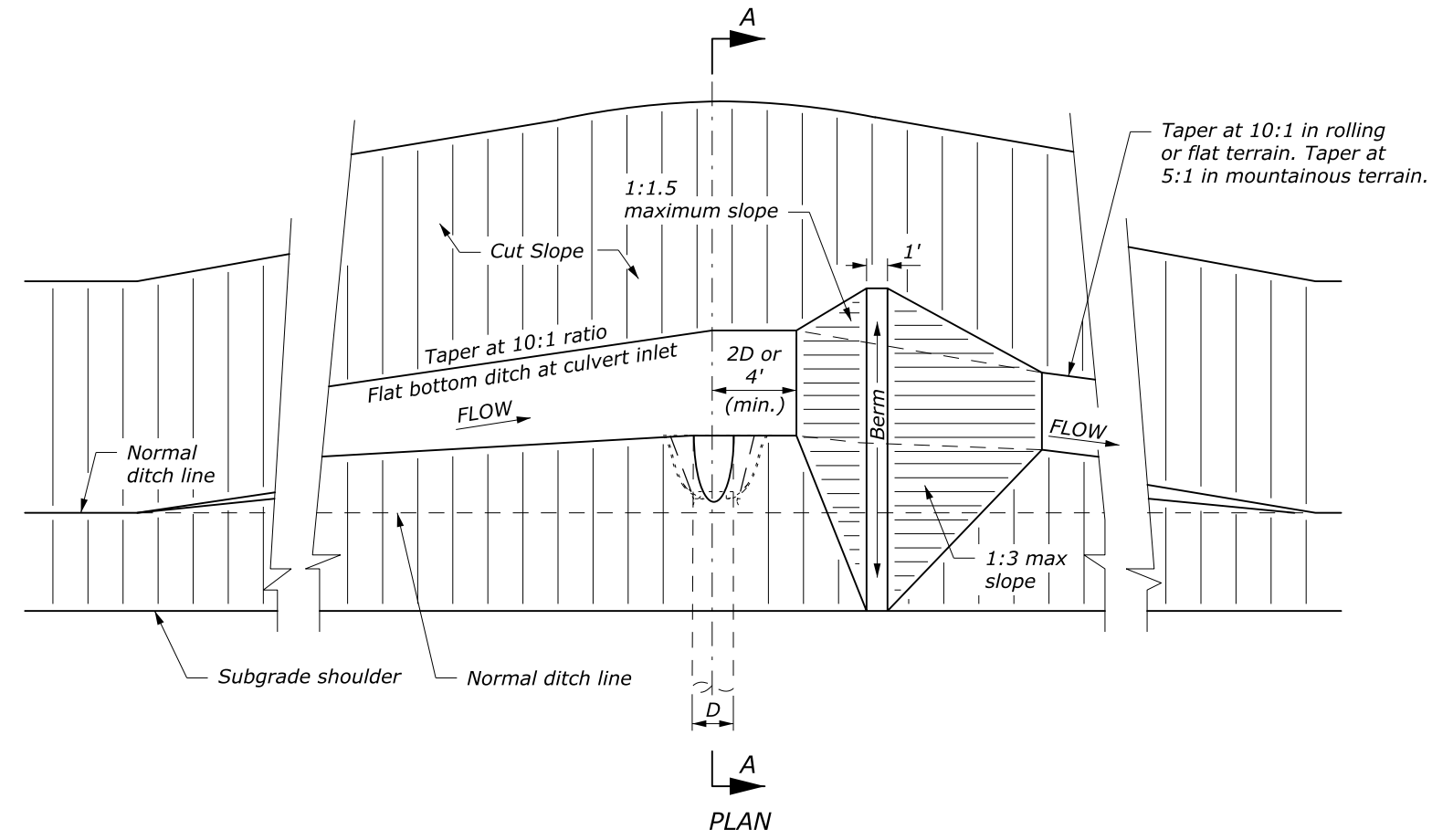
END SECTION DIMENSIONS				
PIPE SIZE DIAMETER	DIMENSIONS			
	A	B	C	D
300	1065	370	840	150
375	1170	620	1155	150
450	1370	735	1395	150
600	1625	940	1650	150
750	2235	915	1615	150
900	2235	1090	1690	150

NO SCALE

U.S. DEPARTMENT OF TRANSPORTATION FEDERAL HIGHWAY ADMINISTRATION FEDERAL LANDS HIGHWAY	
METRIC STANDARD	
PLASTIC PIPE CULVERT	
STANDARD APPROVED FOR USE 3/1996	STANDARD
REVISED: 6/2005 DRAFT: 2/2009	M602-5

NOTE:

1. D equals the diameter of all round pipe or the rise dimension of all pipe arch culverts.



DITCH WIDENING	
PIPE SIZE (D)	WIDENING
18"	5'
24"	6'
30"	7'

**SECTION B-B
TYPE II**

NO SCALE

U.S. DEPARTMENT OF TRANSPORTATION
FEDERAL HIGHWAY ADMINISTRATION
FEDERAL LANDS HIGHWAY

U.S. CUSTOMARY STANDARD

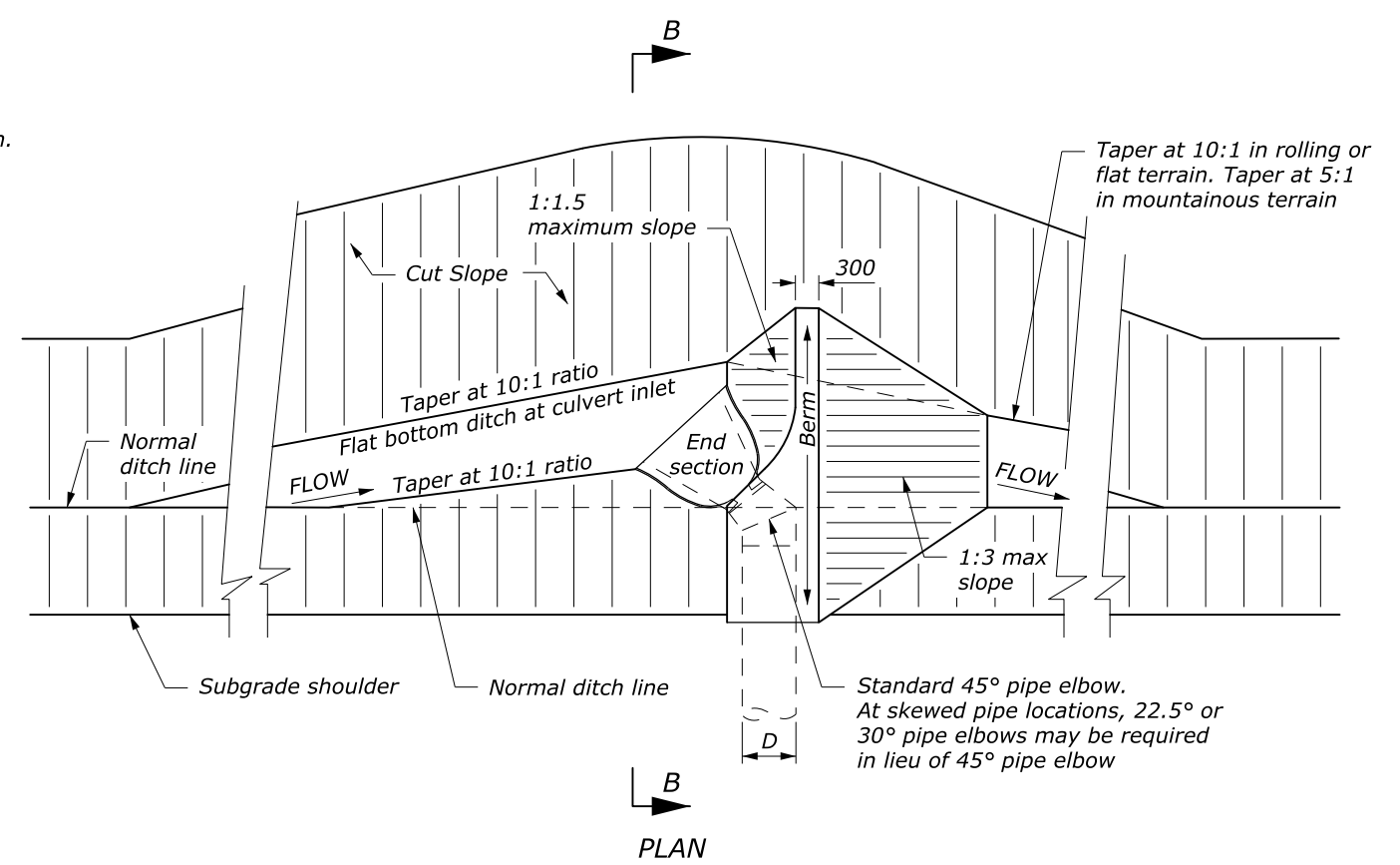
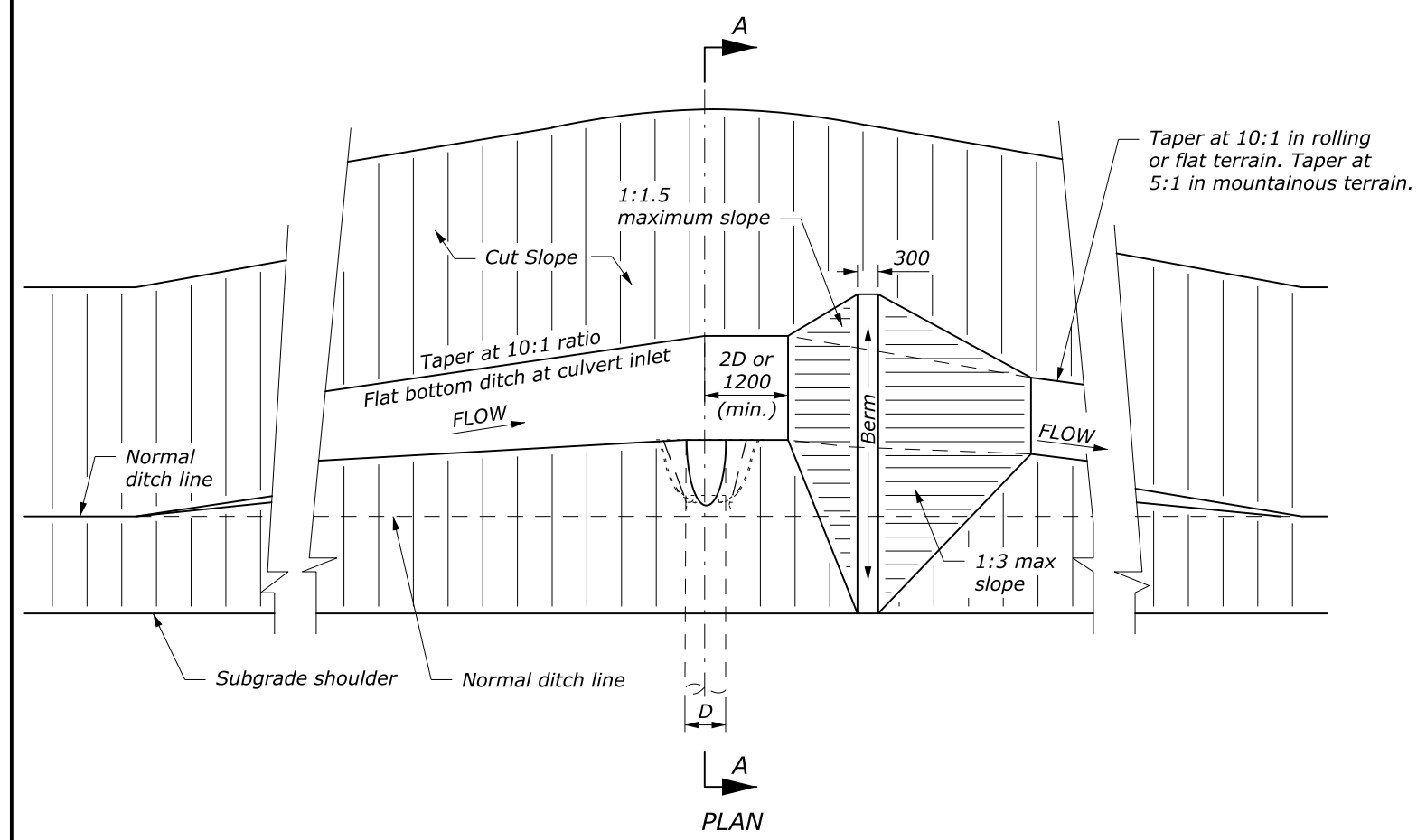
**PIPE CULVERT INLET
TREATMENT IN CUT SLOPES**

STANDARD APPROVED FOR USE 12/1993
REVISED: 4/1994 6/2005

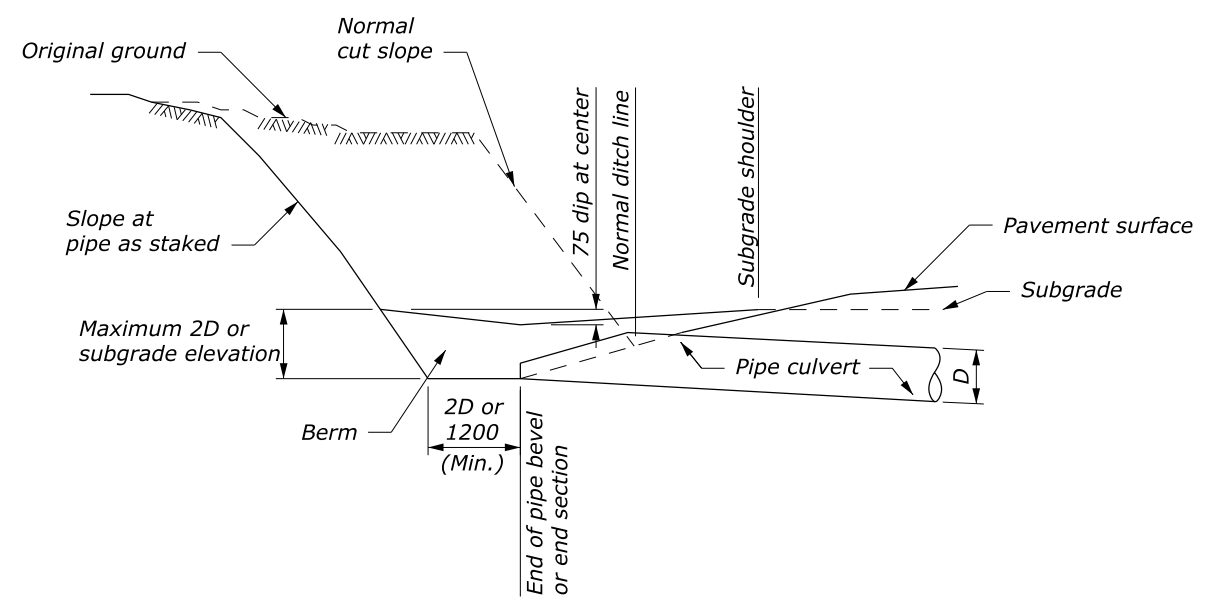
STANDARD
602-6

NOTE:

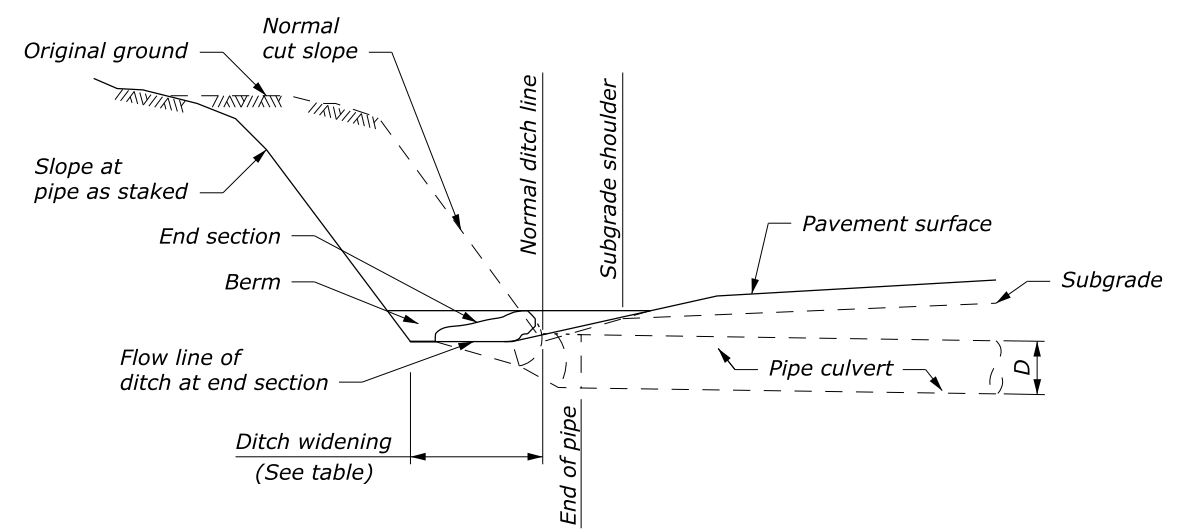
1. *D* equals the diameter of all round pipe or the rise dimension of all pipe arch culverts.
2. Dimensions without units are millimeters.



Standard 45° pipe elbow. At skewed pipe locations, 22.5° or 30° pipe elbows may be required in lieu of 45° pipe elbow



**SECTION A-A
TYPE I**



**SECTION B-B
TYPE II**

DITCH WIDENING	
PIPE SIZE (D)	WIDENING
450	1500
600	1800
750	2100



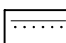
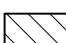
NO SCALE

U.S. DEPARTMENT OF TRANSPORTATION FEDERAL HIGHWAY ADMINISTRATION FEDERAL LANDS HIGHWAY	
METRIC STANDARD	
PIPE CULVERT INLET TREATMENT IN CUT SLOPES	
STANDARD APPROVED FOR USE 3/1996 REVISED: 6/2005	STANDARD M602-6

CONCRETE ROUND PIPE CULVERT

PIPE SIZE DIAMETER INCHES	FILL HEIGHT AND PIPE CLASS TABLE								
	EMBANKMENT				TRENCH				
	MINIMUM COVER INCHES	CLASS II	CLASS III	CLASS IV	CLASS V	CLASS II	CLASS III	CLASS IV	CLASS V
12	12	10	10	15	23	18	18	26	13
18	12	10	10	25	39	13	13	31	45
24	12	10	10	15	30	15	15	22	40
30	12	9	13	15	35	13	16	20	46
36	12	9	9	20	41	10	13	26	56
48	12	12	13	26	44	15	16	30	49
60	12	15	17	28	44	15	20	32	49
72	12	13	17	30	41	15	20	35	49
84	12	13	19	30		15	23	37	
96	12	13	20			15	24		
108	14	15	20			18	26		

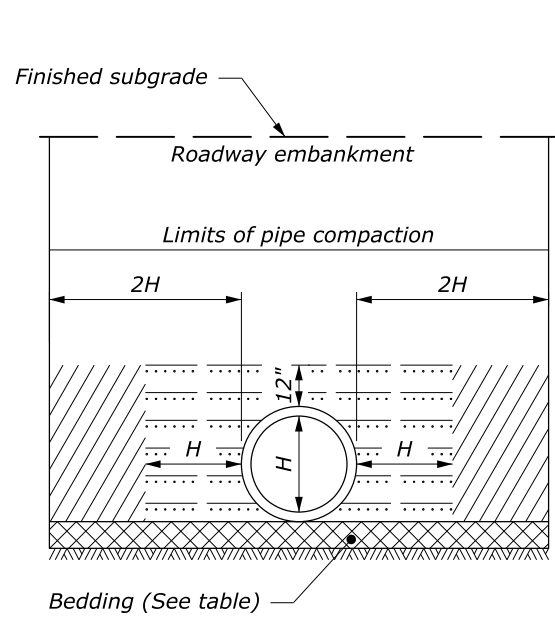
LEGEND:

-  Bedding material (uncompacted).
-  Embankment material placed in layers not exceeding 6" compacted depth.
-  Compacted backfill material placed in layers not exceeding 6" compacted depth, or lean concrete backfill in accordance with Section 614
-  Impermeable backfill material.

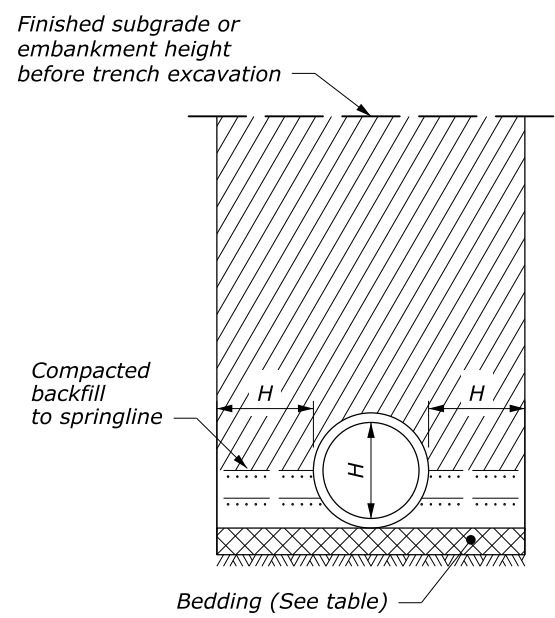
NOTE:

- When directed, camber pipe culverts upwards from a chord through the inlet and outlet inverts an ordinate amount equal to 1% of the pipe length. Develop camber on a parabolic curve. If the midpoint elevation on the parabolic curve as designed exceeds the elevation of the inlet invert, reduce the amount of camber or increase the pipe culvert gradient.
- Measure minimum cover from the top of the pipe culvert to the subgrade for flexible pavements, and to the top of the pavement for rigid pavements. Measure maximum fill height from the top of the pipe to the top of the pavement for both flexible and rigid pavements.
- Pipe compaction limits shown are for pipe installation in an embankment. For pipe installation in a trench, the compaction limits shall be the walls of the trench.
- Where unyielding or unstable material is encountered, install the pipe culvert according to the limits of pipe compaction shown on Standard 602-3.
- Maximum fill heights for pipe culvert installations may be increased on approval of site-specific structural pipe designs meeting the criteria of AASHTO Standard Specifications for Highway Bridges.
- Use Supplemental Concrete Pipe Tie when specified in the contract documents.

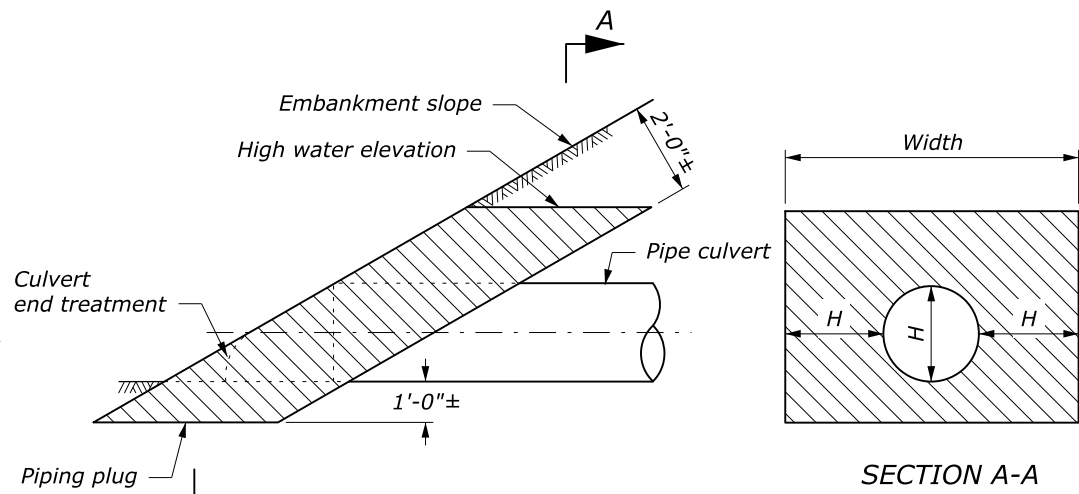
BEDDING DEPTH	
PIPE SIZE (H)	DEPTH
12" TO 54"	4"
> 54"	6"



EMBANKMENT INSTALLATION

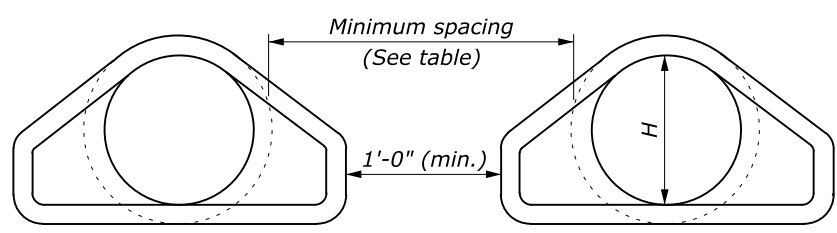
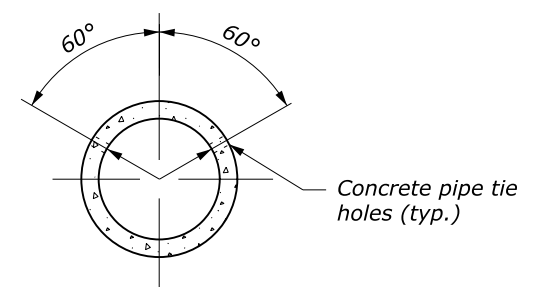


TRENCH INSTALLATION



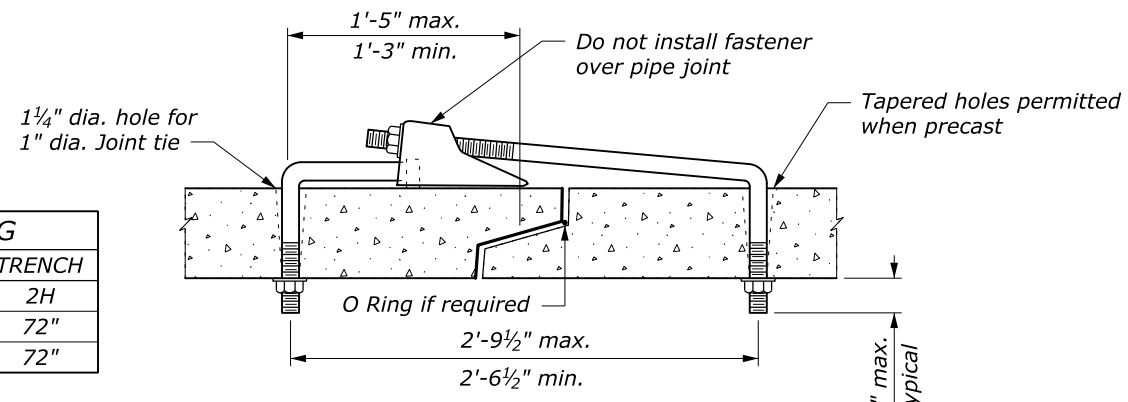
Construct a piping plug of impermeable backfill material at the pipe inlet where granular material is used for backfill. Width may be adjusted to tie into impervious material.

PIPING PLUG



MULTIPLE ROUND PIPE INSTALLATION

DIAMETER	MINIMUM SPACING	
	EMBANKMENT	TRENCH
12"-36"	15"	2H
36"-96"	0.5H	72"
OVER 96"	48"	72"



SUPPLEMENTAL CONCRETE PIPE TIE

NO SCALE

U.S. DEPARTMENT OF TRANSPORTATION
FEDERAL HIGHWAY ADMINISTRATION
FEDERAL LANDS HIGHWAY

U.S. CUSTOMARY STANDARD

CONCRETE PIPE CULVERT INSTALLATION

STANDARD APPROVED FOR USE 12/1993

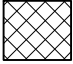

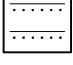
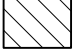
REVISOR: 4/1994 6/2005
DRAFT: 6/2008

STANDARD 602-7

CONCRETE ROUND PIPE CULVERT

PIPE SIZE DIAMETER	FILL HEIGHT AND PIPE CLASS TABLE								
	EMBANKMENT				TRENCH				
	MINIMUM COVER	CLASS II	CLASS III	CLASS IV	CLASS V	CLASS II	CLASS III	CLASS IV	CLASS V
300	300	3.0	3.0	4.5	7.0	5.5	5.5	8.0	4.0
450	300	3.0	3.0	7.5	12.0	4.0	4.0	9.0	13.5
600	300	3.0	3.0	4.5	9.0	4.5	4.5	6.5	12.0
750	300	2.5	4.0	4.5	10.5	4.0	5.0	6.0	14.0
900	300	2.5	2.5	6.0	12.5	3.0	4.0	8.0	17.0
1200	300	3.5	4.0	8.0	13.5	4.5	5.0	9.0	15.0
1500	300	4.5	5.0	8.5	13.5	4.5	6.0	9.5	15.0
1800	300	4.0	5.0	9.0	12.5	4.5	6.0	10.5	15.0
2100	300	4.0	5.5	9.0		4.5	7.0	11.0	
2400	300	4.0	6.0			4.5	7.0		
2700	350	4.5	6.0			5.5	8.0		

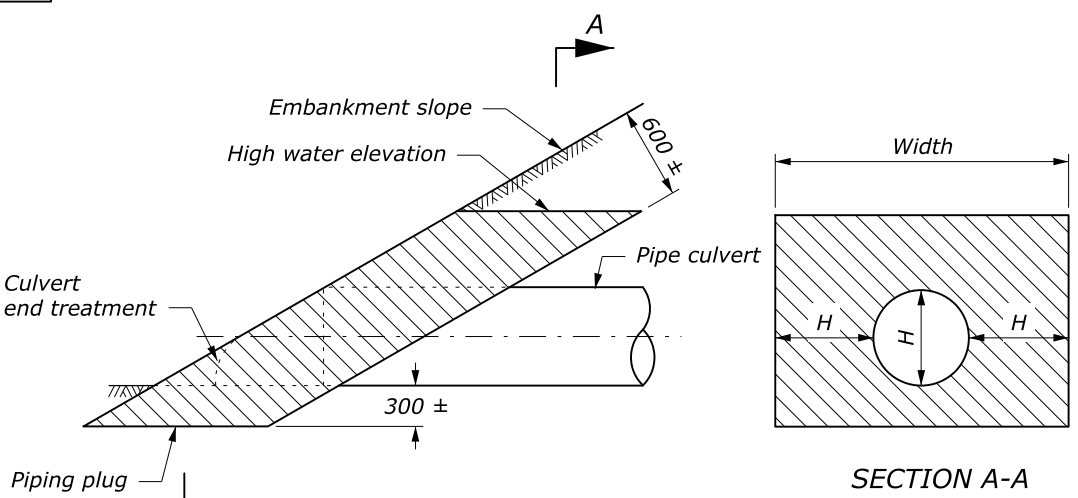
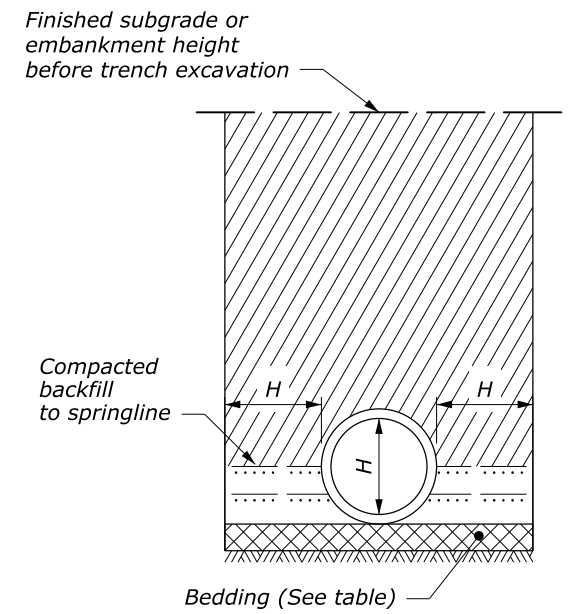
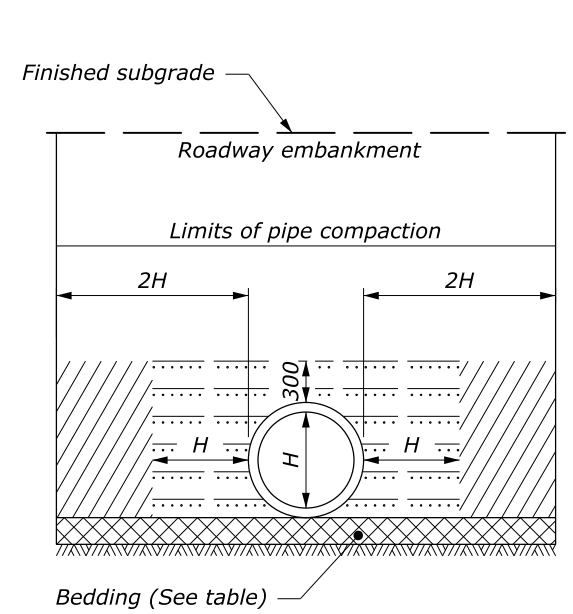
LEGEND:

-  Bedding material (uncompacted).
-  Embankment material placed in layers not exceeding 150 compacted depth.
-  Compacted backfill material placed in layers not exceeding 150 compacted depth, or lean concrete backfill in accordance with Section 614
-  Impermeable backfill material.

NOTE:

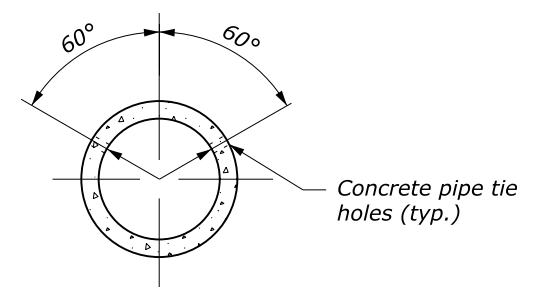
- When directed, camber pipe culverts upwards from a chord through the inlet and outlet inverts an ordinate amount equal to 1% of the pipe length. Develop camber on a parabolic curve. If the midpoint elevation on the parabolic curve as designed exceeds the elevation of the inlet invert, reduce the amount of camber or increase the pipe culvert gradient.
- Measure minimum cover from the top of the pipe culvert to the subgrade for flexible pavements, and to the top of the pavement for rigid pavements. Measure maximum fill height from the top of the pipe to the top of the pavement for both flexible and rigid pavements.
- Pipe compaction limits shown are for pipe installation in an embankment. For pipe installation in a trench, the compaction limits shall be the walls of the trench.
- Where unyielding or unstable material is encountered, install the pipe culvert according to the limits of pipe compaction shown on Standard M602-3.
- Maximum fill heights for pipe culvert installations may be increased on approval of site-specific structural pipe designs meeting the criteria of AASHTO Standard Specifications for Highway Bridges.
- Use Supplemental Concrete Pipe Tie when specified in the contract documents.
- Dimensions without units are millimeters.

BEDDING DEPTH	
PIPE SIZE (H)	DEPTH
300 TO 1350	100
> 1350	150



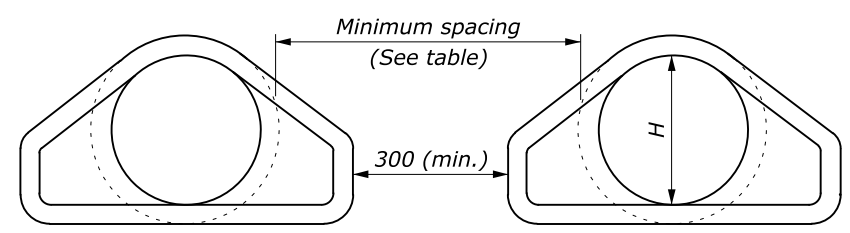
Construct a piping plug of impermeable backfill material at the pipe inlet where granular material is used for backfill. Width may be adjusted to tie into impervious material.

PIPING PLUG

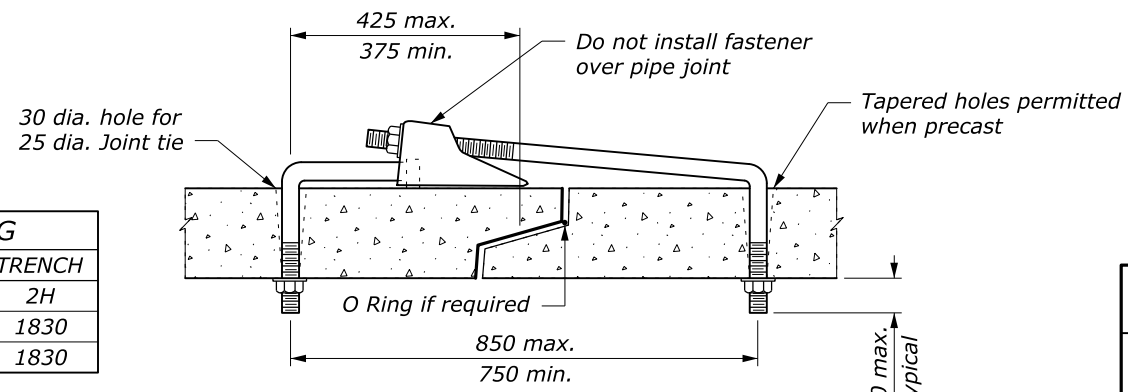


EMBAKMENT INSTALLATION

TRENCH INSTALLATION



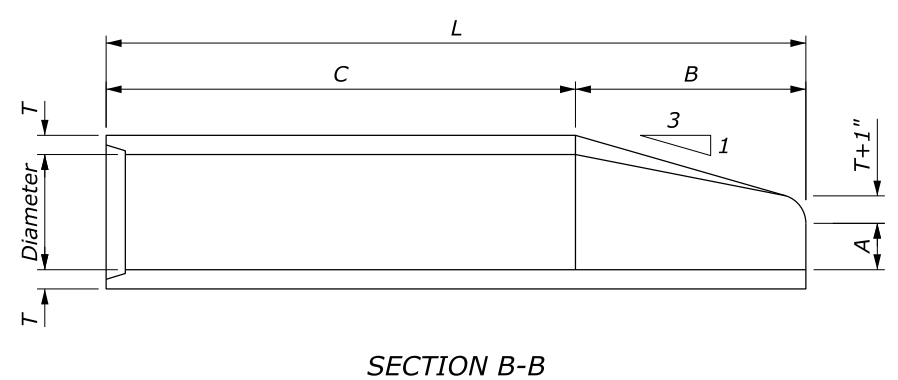
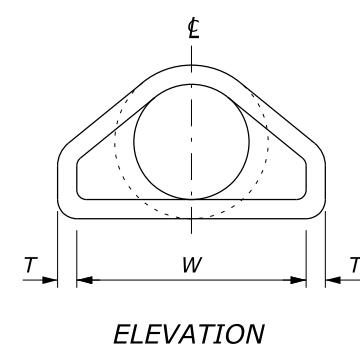
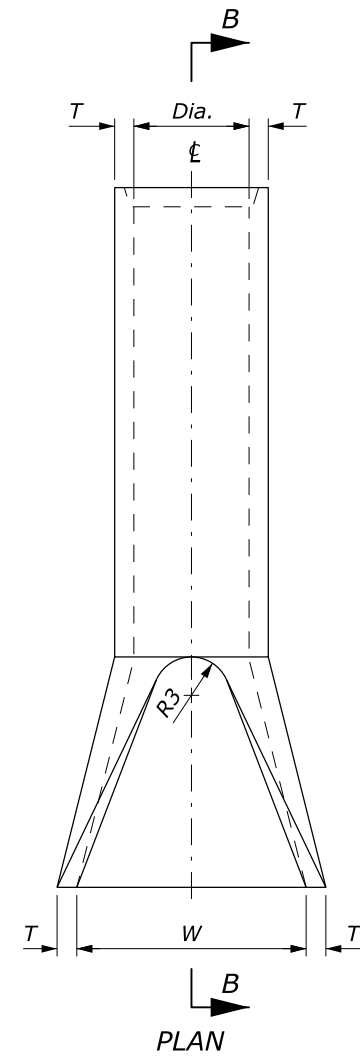
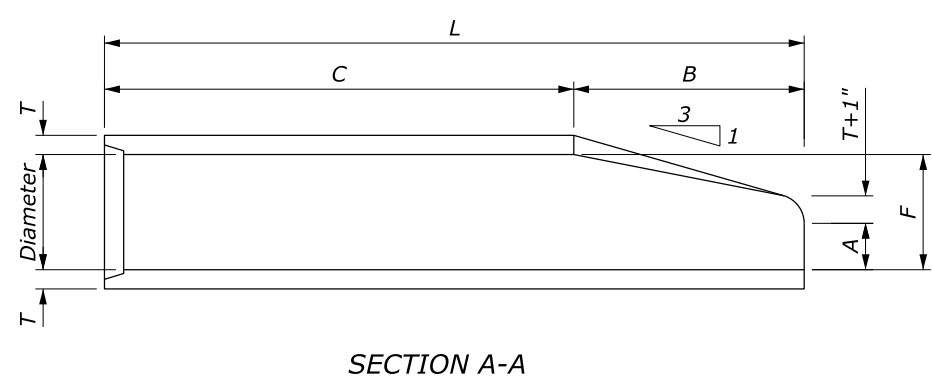
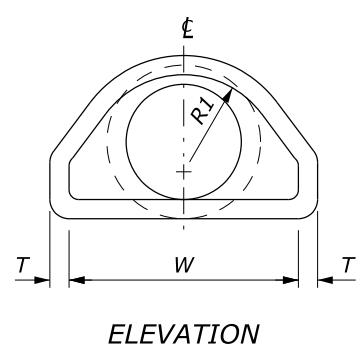
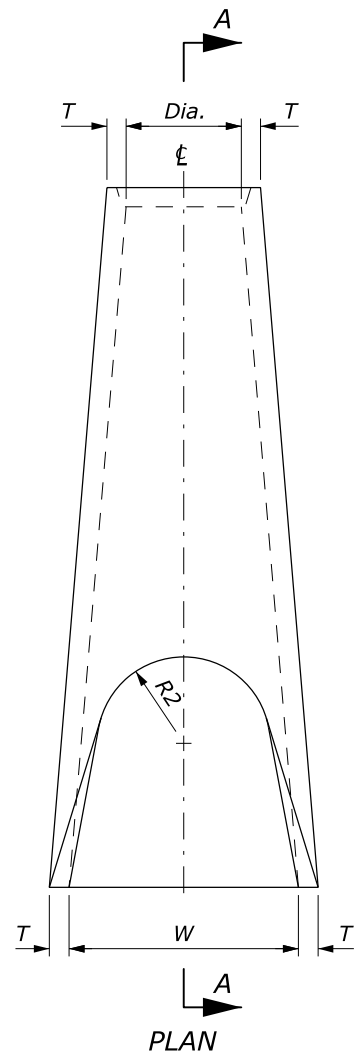
DIAMETER	MINIMUM SPACING	
	EMBANKMENT	TRENCH
300 - 900	380	2H
900 - 2400	0.5H	1830
OVER 2400	1220	1830



SUPPLEMENTAL CONCRETE PIPE TIE

U.S. DEPARTMENT OF TRANSPORTATION FEDERAL HIGHWAY ADMINISTRATION FEDERAL LANDS HIGHWAY	
METRIC STANDARD	
CONCRETE PIPE CULVERT INSTALLATION	
STANDARD APPROVED FOR USE 3/1996	STANDARD M602-7
REVISED: 6/2005 DRAFT: 6/2008	

NO SCALE



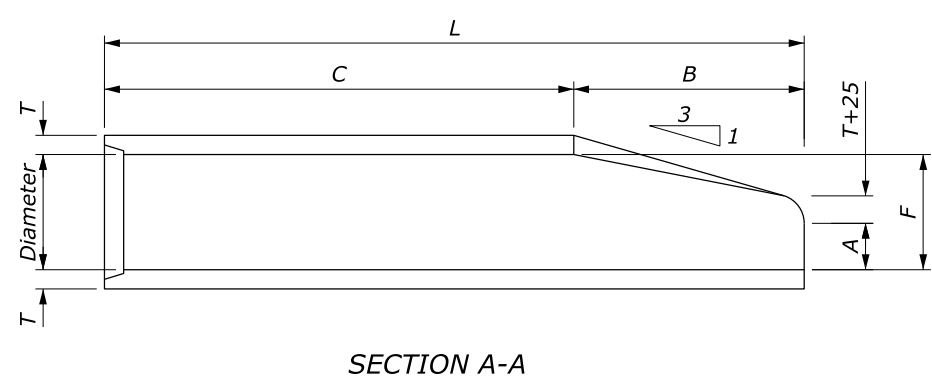
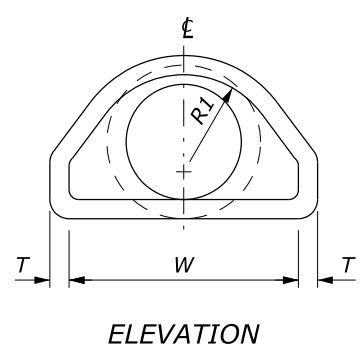
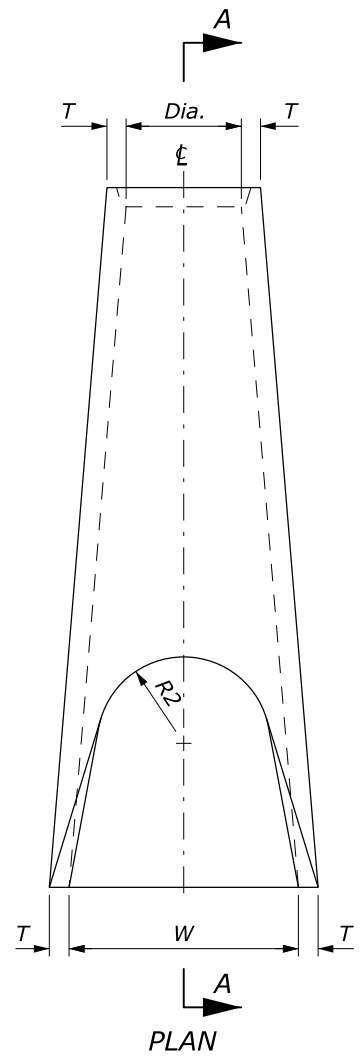
NOTE:

1. Variations in design and dimensions are permitted to allow for manufacturer's standards.
2. Fabricate the outlet end section with a groove end and the inlet end section with a tongue end.
3. Warp embankment slopes to match the slope of the flared end section.

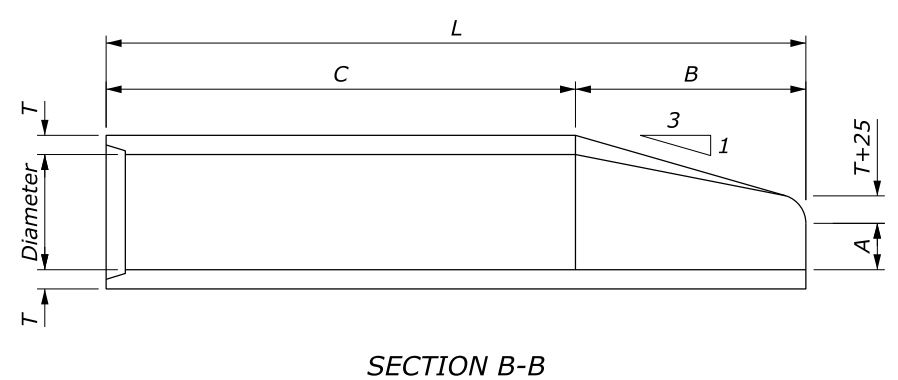
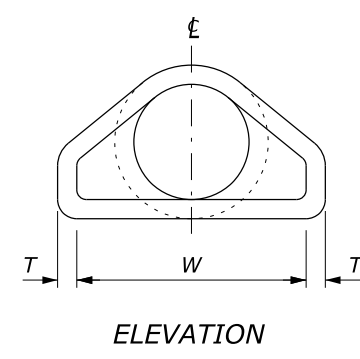
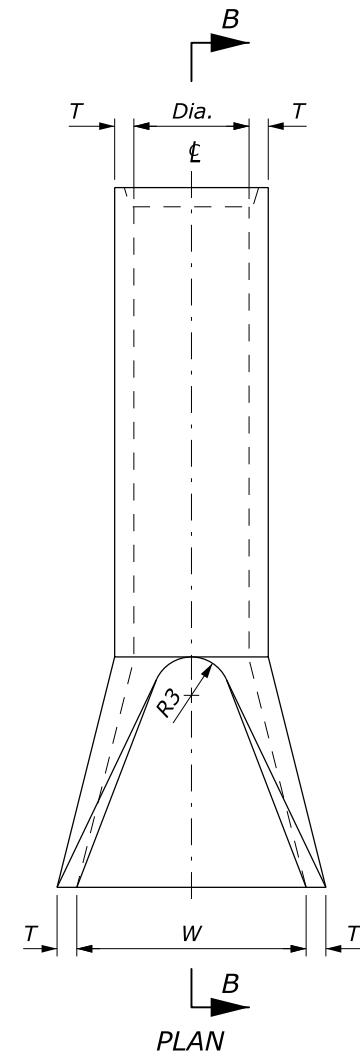
END SECTIONS FOR ROUND PIPE CULVERT										
PIPE SIZE DIAMETER INCHES	DIMENSIONS INCHES									
	T	A	B	C	L	W	F	R1	R2	R3
12	2	4	24	48 ⁷ / ₈	72 ⁷ / ₈	24	13	10 ¹ / ₈	9	4
15	2 ¹ / ₄	6	27		73	30	16	12 ¹ / ₂	11	6
18	2 ¹ / ₂	9	27		73	36	19	15 ¹ / ₂	12	7 ¹ / ₂
21	2 ³ / ₄	9	36		73	42	22	16 ¹ / ₂	13	5
24	3	9 ¹ / ₂	43 ¹ / ₂		73 ¹ / ₂	48	25	16 ³ / ₄	14	8
27	3 ¹ / ₄	10 ¹ / ₂	48	25 ¹ / ₂	73 ¹ / ₂	54	28	--	14 ¹ / ₂	9
30	3 ¹ / ₂	12	54	19 ³ / ₄	73 ³ / ₄	60	31	18 ¹ / ₂	15	8
33	3 ³ / ₄	13 ¹ / ₂ "	59 ¹ / ₂	37 ¹ / ₂	96	66	34	23 ³ / ₄	17 ¹ / ₂	9
36	4	15	63		96	72	37	23 ³ / ₄	20	11
42	4 ¹ / ₂	21	63		96	78	43	--	22	11
48	5	24	72		96	84	49	--	22	12

NO SCALE

U.S. DEPARTMENT OF TRANSPORTATION FEDERAL HIGHWAY ADMINISTRATION FEDERAL LANDS HIGHWAY	
U.S. CUSTOMARY STANDARD	
CONCRETE END SECTION FOR ROUND PIPE	
STANDARD APPROVED FOR USE 12/1993 REVISED: 4/1994 6/2005	STANDARD 602-8



SECTION A-A



SECTION B-B

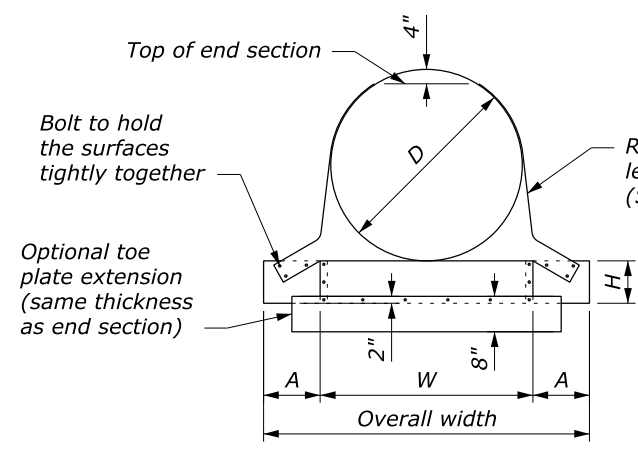
NOTE:

1. Variations in design and dimensions are permitted to allow for manufacturer's standards.
2. Fabricate the outlet end section with a groove end and the inlet end section with a tongue end.
3. Warp embankment slopes to match the slope of the flared end section.
4. Dimensions without units are millimeters.

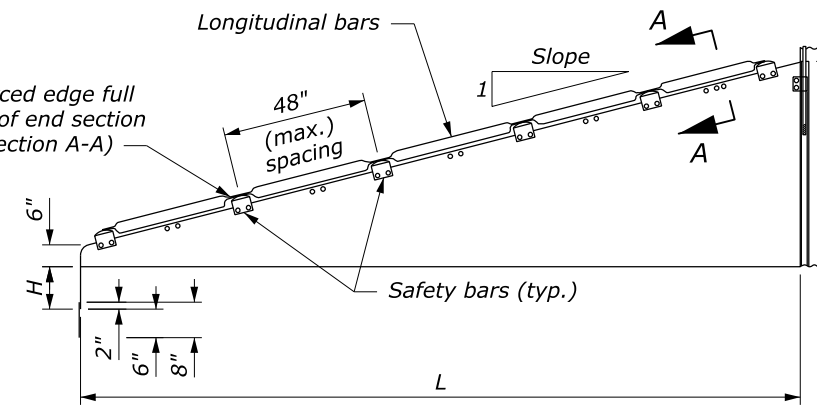
END SECTIONS FOR ROUND PIPE CULVERT										
PIPE SIZE DIAMETER	DIMENSIONS									
	T	A	B	C	L	W	F	R1	R2	R3
300	50	100	600	1222	1822	600	325	253	225	100
375	57	150	675	1150	1825	750	400	312	275	150
450	63	225	675	1150	1825	900	475	388	300	188
525	69	225	900	925	1825	1050	550	412	325	125
600	75	238	1088	750	1838	1200	625	420	350	200
675	82	263	1200	638	1838	1350	700	--	362	225
750	88	300	1350	494	1844	1500	775	462	375	200
825	94	345	1485	938	2400	1650	865	594	438	225
900	100	375	1585	825	2400	1800	925	580	500	275
1050	113	525	1585	825	2400	1950	1095	--	550	275
1200	125	600	1800	600	2400	2100	1225	--	550	300

NO SCALE

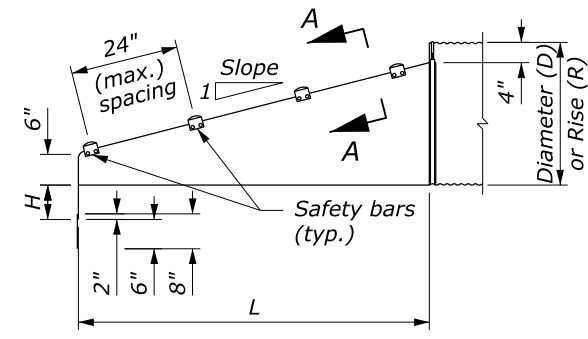
U.S. DEPARTMENT OF TRANSPORTATION FEDERAL HIGHWAY ADMINISTRATION FEDERAL LANDS HIGHWAY	
METRIC STANDARD	
CONCRETE END SECTION FOR ROUND PIPE	
STANDARD APPROVED FOR USE 3/1996 REVISED: 6/2005	STANDARD M602-8



FRONT VIEW
ROUND PIPE CULVERT

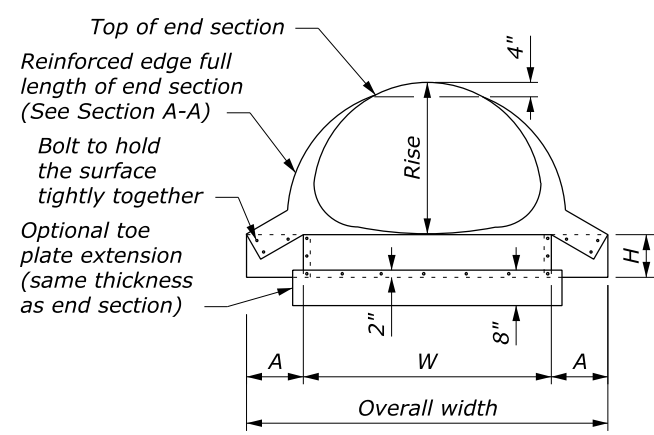


ELEVATION
CROSS DRAINAGE END SECTION

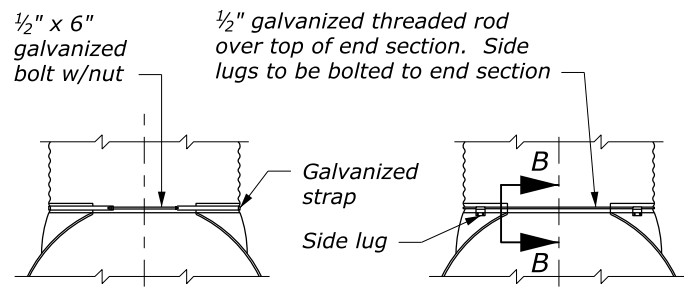


ELEVATION
PARALLEL DRAINAGE END SECTION

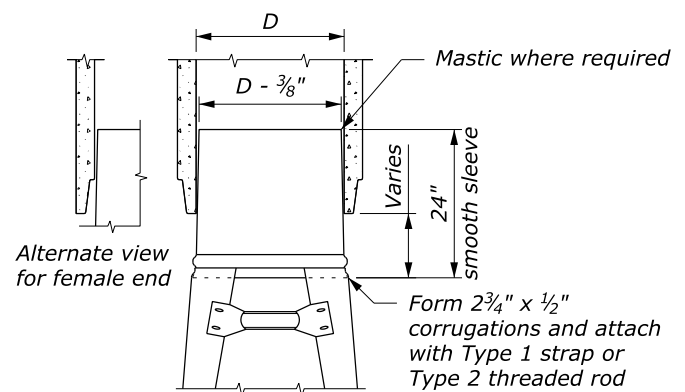
- NOTE:**
- Use end sections on 1V:4H to 1V:6H slopes only. Use toe plate extension where shown on the plans.
 - Fabricate safety and longitudinal bars from steel pipe conforming to ASTM A53 schedule 40 specifications. Galvanize bars hot dipped after fabrication.
 - A longitudinal bar is required for cross drainage end sections when the span is greater than 30". Use additional longitudinal bars if spacing exceeds 30" on larger end sections.
 - Safety and longitudinal bars are not required on 30" and smaller cross drainage end sections.
 - Safety bars are not required on 18" and smaller parallel drainage end sections.
 - 18" diameter sleeves have a thickness of 0.079", all others are 0.109".



FRONT VIEW
PIPE ARCH CULVERT



FOR METAL ROUND PIPES 15" THRU 24"
TYPE #1
FOR METAL ROUND PIPES 30" AND LARGER. FOR PIPE ARCHES 21" X 15" AND LARGER
TYPE #2

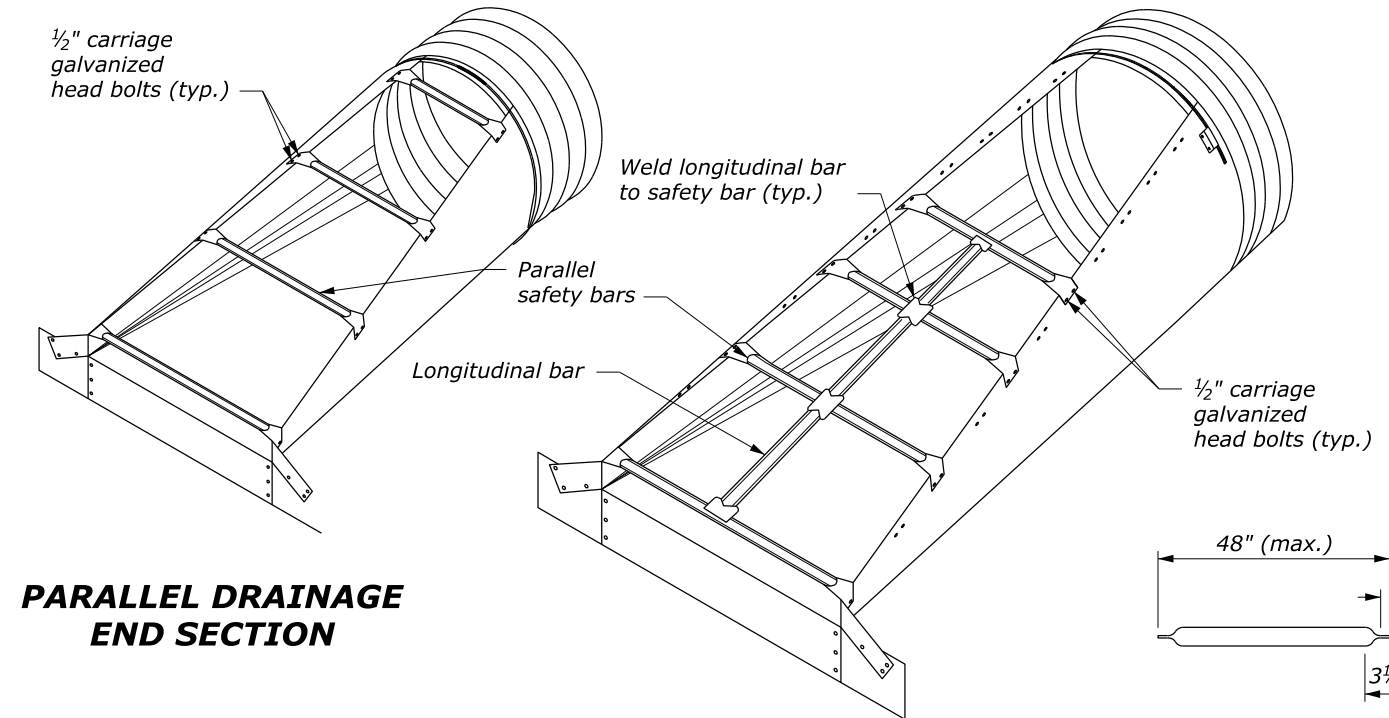


FOR ALL SIZES OF CONCRETE ROUND OR PIPE ARCHES
TYPE #3

CONNECTOR DETAILS

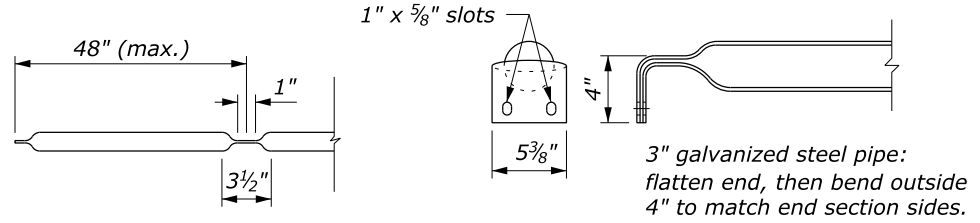
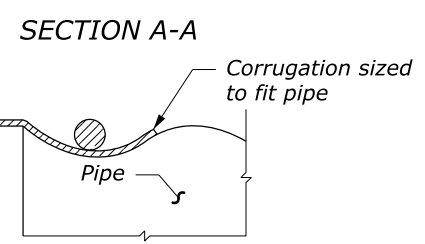
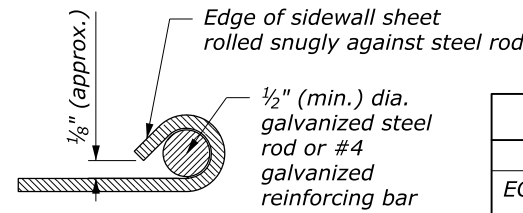
METAL END SECTIONS FOR ROUND PIPE CULVERT

PIPE SIZE Ø INCHES	METAL THICK (MIN.) INCH/GAGE	DIMENSIONS IN INCHES					
		A	H	W	OVERALL WIDTH	L	
						Slope=4	Slope=6
18	0.064/16	8	6	24	40	32	47
24	0.064/16	8	6	30	46	55	83
30	0.109/12	12	9	36	60	79	118
36	0.109/12	12	9	42	66	102	154
42	0.109/12	16	12	48	80	126	189
48	0.109/12	16	12	54	86	150	224
54	0.109/12	16	12	60	92	173	260
60	0.109/12	16	12	66	98	197	295



PARALLEL DRAINAGE END SECTION

CROSS DRAINAGE END SECTION



LONGITUDINAL DRAINAGE BAR
PARALLEL BARS

SAFETY BAR DETAILS

METAL END SECTIONS FOR PIPE ARCH CULVERT

PIPE SIZE (INCHES) EQUIV. Ø	SPAN	RISE	METAL THICK (MIN.) INCH/GAGE	DIMENSIONS (INCHES)					
				A	H	W	OVERALL WIDTH	L	
								Slope=4	Slope=6
18	21	15	0.064/16	8	6	27	43	20	30
24	28	20	0.064/16	8	6	33	49	40	60
30	35	24	0.109/12	12	9	40	64	55	83
36	41	29	0.109/12	12	9	47	71	75	112
42	48	32	0.109/12	16	12	54	86	90	136
48	56	37	0.109/12	16	12	62	94	110	165
54	63	42	0.109/12	16	12	69	101	130	195
60	70	46	0.109/12	16	12	76	107	146	218
72	82	56	0.109/12	16	12	88	120	185	278

NO SCALE

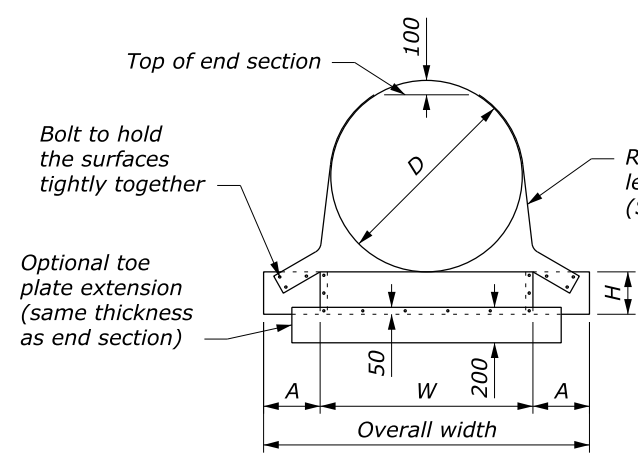
U.S. DEPARTMENT OF TRANSPORTATION
FEDERAL HIGHWAY ADMINISTRATION
FEDERAL LANDS HIGHWAY

U.S. CUSTOMARY STANDARD

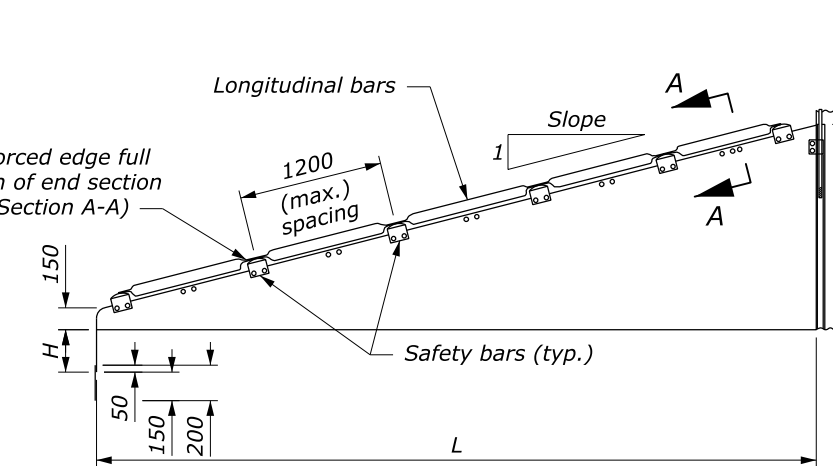
METAL END SECTIONS WITH SAFETY BARS

STANDARD APPROVED FOR USE 6/2005
REVISOR: DRAFT: 1/2016

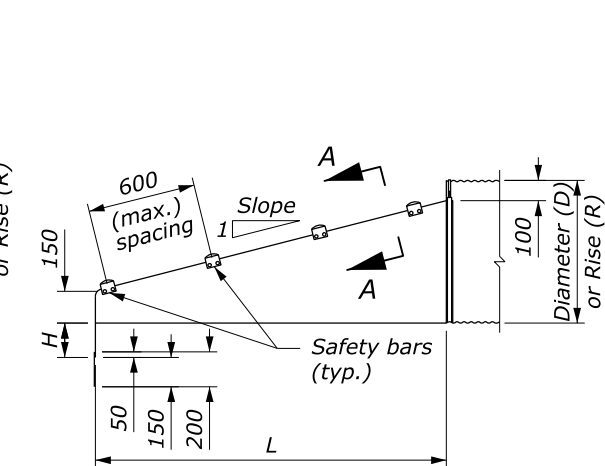
STANDARD 602-9



**FRONT VIEW
ROUND PIPE CULVERT**

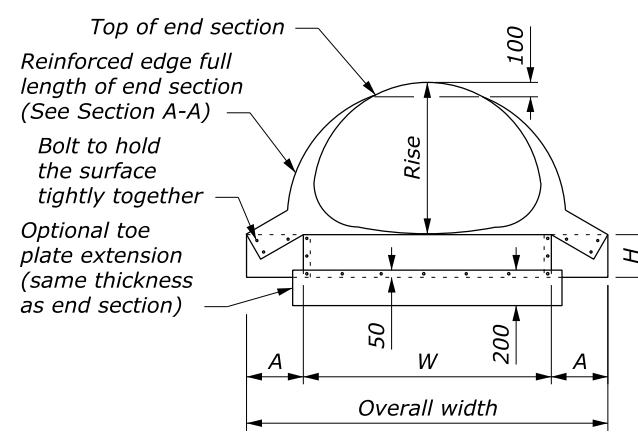


**ELEVATION
CROSS DRAINAGE END SECTION**

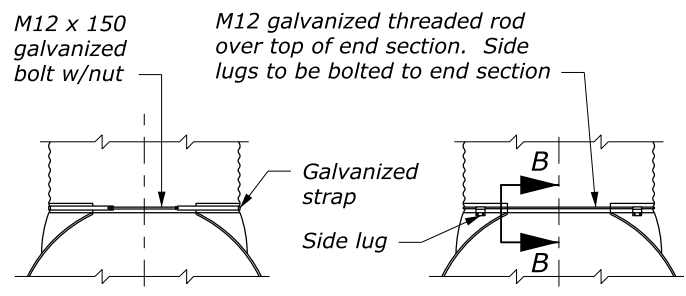


**ELEVATION
PARALLEL DRAINAGE END SECTION**

- NOTE:**
- Use end sections on 1V:4H to 1V:6H slopes only. Use toe plate extension where shown on the plans.
 - Fabricate safety and longitudinal bars from steel pipe conforming to ASTM A53 schedule 40 specifications. Galvanize bars hot dipped after fabrication.
 - A longitudinal bar is required for cross drainage end sections when the span is greater than 750 mm. Use additional longitudinal bars if spacing exceeds 750 mm on larger end sections.
 - Safety and longitudinal bars are not required on 750 mm and smaller cross drainage end sections.
 - Safety bars are not required on 450 mm and smaller parallel drainage end sections.
 - 450 mm diameter sleeves have a thickness of 2.01 mm, all others are 2.77 mm.
 - Dimensions without units are millimeters.

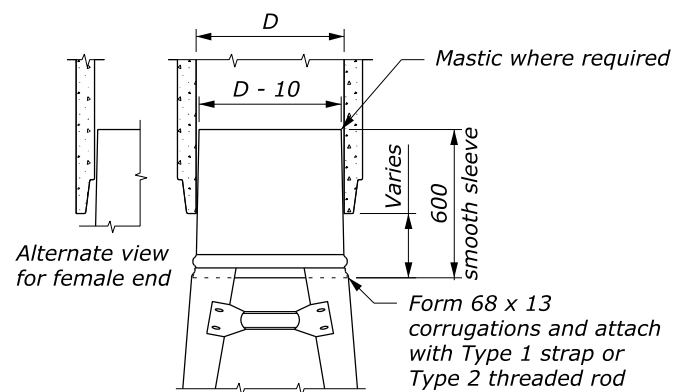


**FRONT VIEW
PIPE ARCH CULVERT**



**FOR METAL ROUND PIPES 375 THRU 600
TYPE #1**
**FOR METAL ROUND PIPES 750 AND LARGER. FOR PIPE ARCHES 525 X 375 AND LARGER
TYPE #2**

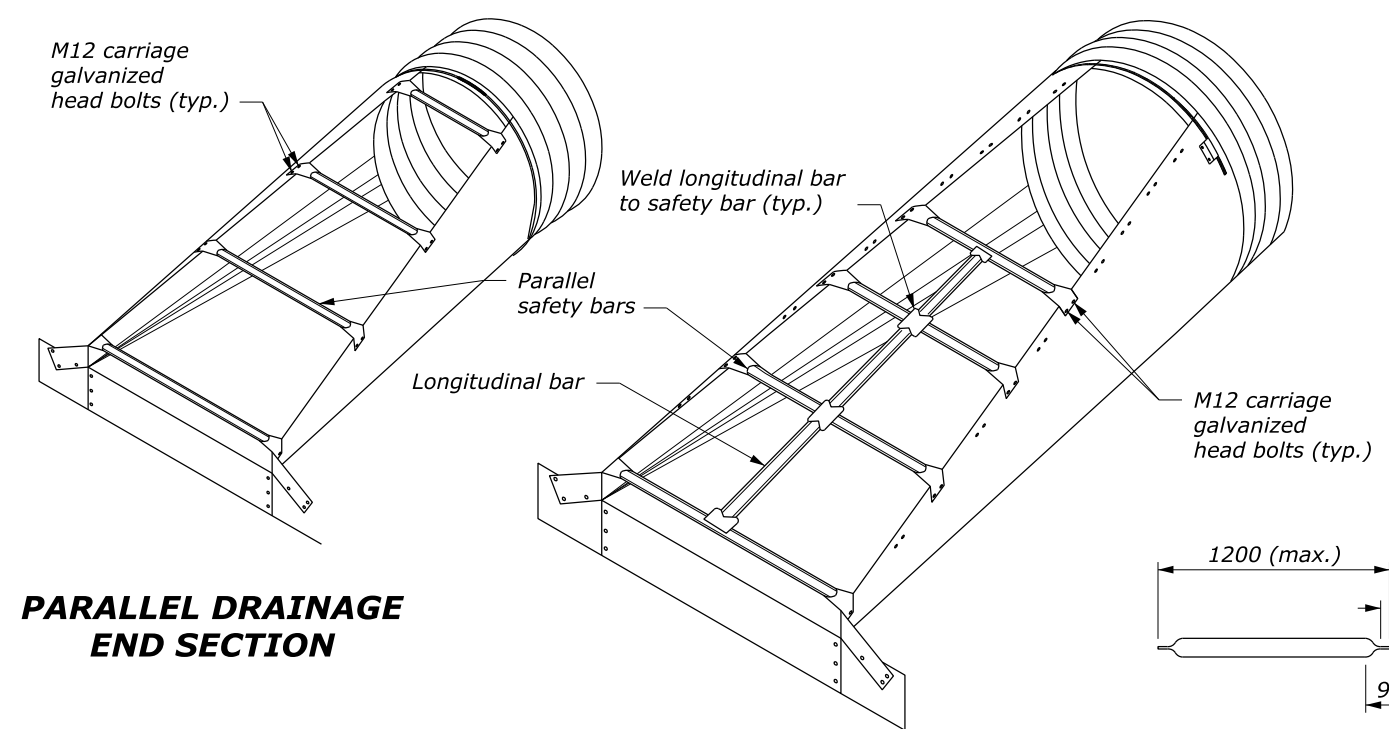
CONNECTOR DETAILS



**FOR ALL SIZES OF CONCRETE ROUND OR PIPE ARCHES
TYPE #3**

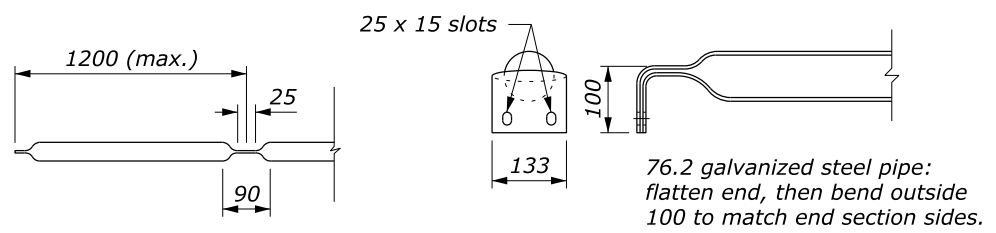
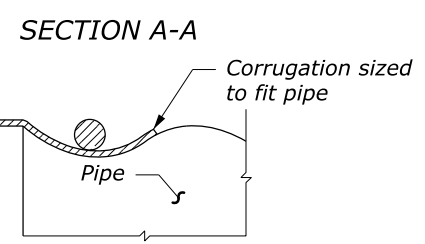
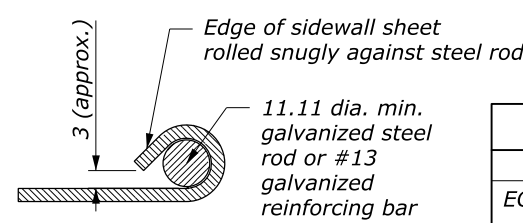
METAL END SECTIONS FOR ROUND PIPE CULVERT

PIPE SIZE Ø	METAL THICK (MIN.)	DIMENSIONS					
		A	H	W	OVERALL WIDTH	L	
						Slope=4	Slope=6
450	1.63	200	150	600	1000	800	1200
600	1.63	200	150	750	1150	1400	2100
750	2.77	300	225	900	1500	2000	3000
900	2.77	300	225	1050	1650	2600	3900
1050	2.77	400	300	1200	2000	3200	4800
1200	2.77	400	300	1350	2150	3800	5700
1350	2.77	400	300	1500	2300	4400	6600
1500	2.77	400	300	1650	2450	5000	7500



**PARALLEL DRAINAGE
END SECTION**

CROSS DRAINAGE END SECTION



LONGITUDINAL DRAINAGE BAR **PARALLEL BARS**

SAFETY BAR DETAILS

METAL END SECTIONS FOR PIPE ARCH CULVERT

PIPE SIZE			METAL THICK (MIN.)	DIMENSIONS					
EQUIV. Ø	SPAN	RISE		A	H	W	OVERALL WIDTH	L	
								Slope=4	Slope=6
450	525	375	1.63	200	150	675	1075	500	750
600	700	500	1.63	200	150	850	1250	1000	1500
750	875	600	2.77	300	225	1025	1625	1400	2100
900	1050	725	2.77	300	225	1200	1800	1900	2850
1050	1225	825	2.77	400	300	1375	2175	2300	3450
1200	1425	950	2.77	400	300	1575	2375	2800	4200
1350	1600	1075	2.77	400	300	1750	2550	3300	4950
1500	1775	1175	2.77	400	300	1925	2725	3700	5550
1800	2075	1425	2.77	400	300	2225	3025	4700	7050

U.S. DEPARTMENT OF TRANSPORTATION
FEDERAL HIGHWAY ADMINISTRATION
FEDERAL LANDS HIGHWAY

METRIC STANDARD

**METAL END SECTIONS
WITH SAFETY BARS**

STANDARD APPROVED FOR USE 3/1996
REVISED: 5/1997 6/2005
DRAFT: 1/2016

STANDARD M602-9

NO SCALE