



NATIONAL WATER QUALITY MONITORING COUNCIL

Working Together for Clean Water

How Can The National Council Facilitate Data Sharing ?

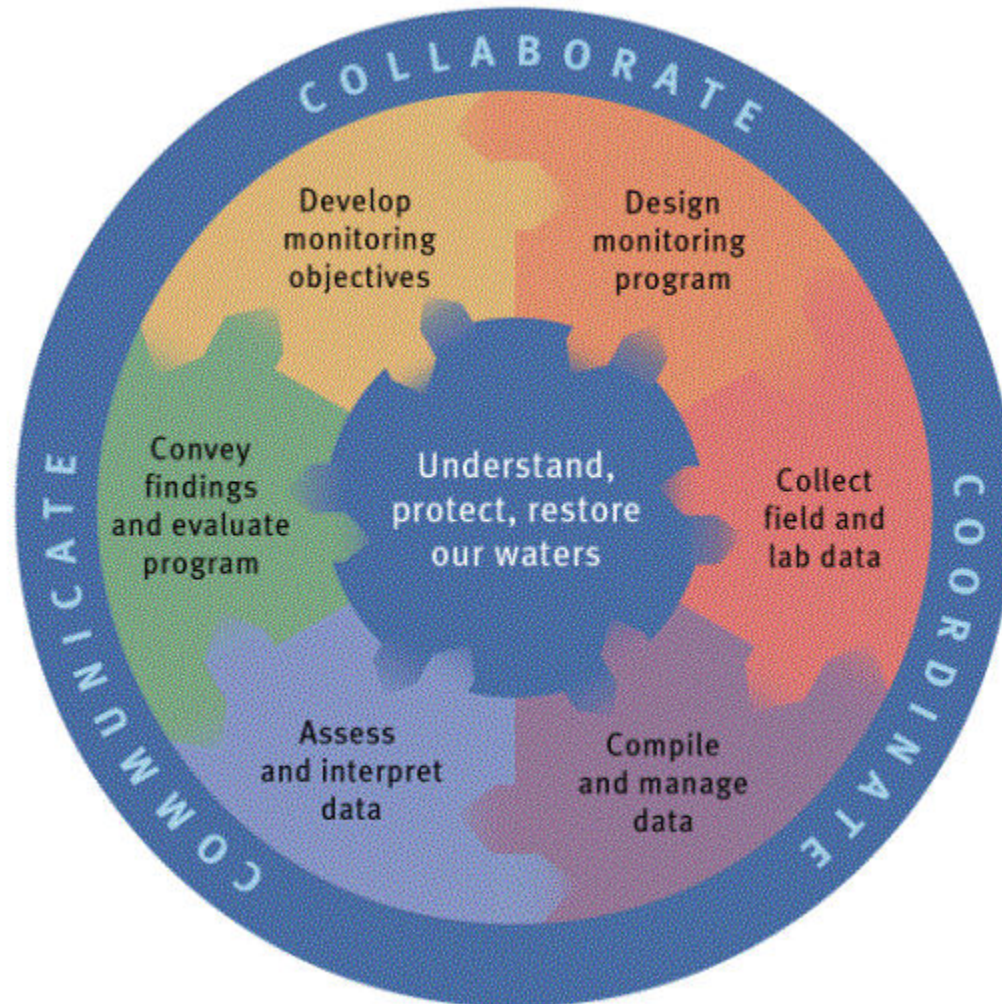
September 2, 2009

The Importance of Data Sharing

- Data is an elementary investment in environmental protection
- Water cannot be monitored in as many places as it needs to be
- Combined efforts increase the probability that data will be collected, valued, and used



The Monitoring Framework



Water Quality Data Elements

- Provide the minimum metadata to allow its subsequent use by others

http://acwi.gov/methods/data_projects/index.html

The WQDE cover data for:

- Physical
- Chemical
- Microbiological
- Toxicity
- Toxicity
- Biological populations
- Habitat



Water Quality Exchange



- The WQDE is the basis for the WQX

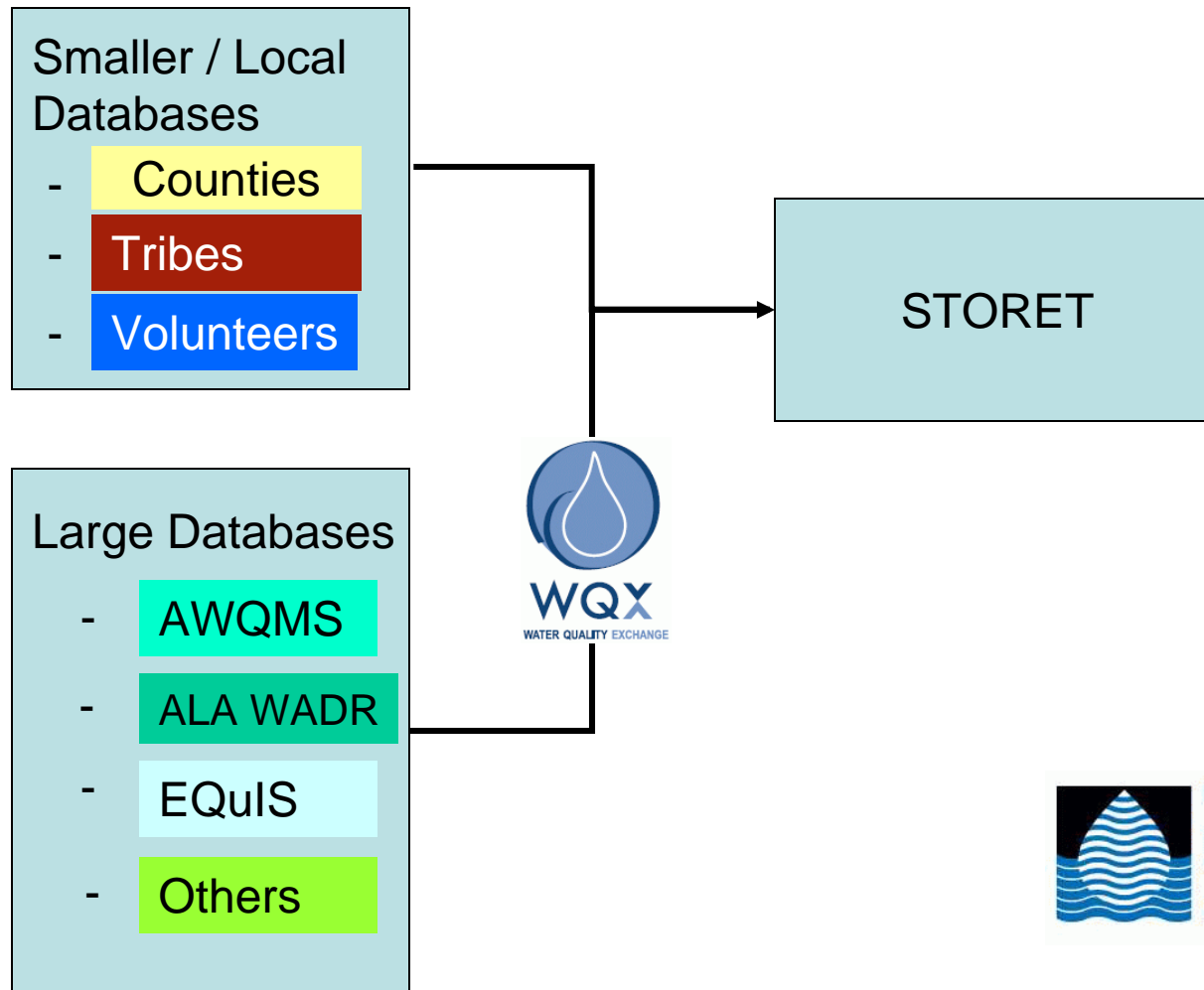
<http://www.exchangenetwork.net/exchanges/water/wqx.htm>

- The WQX is an evolving standard

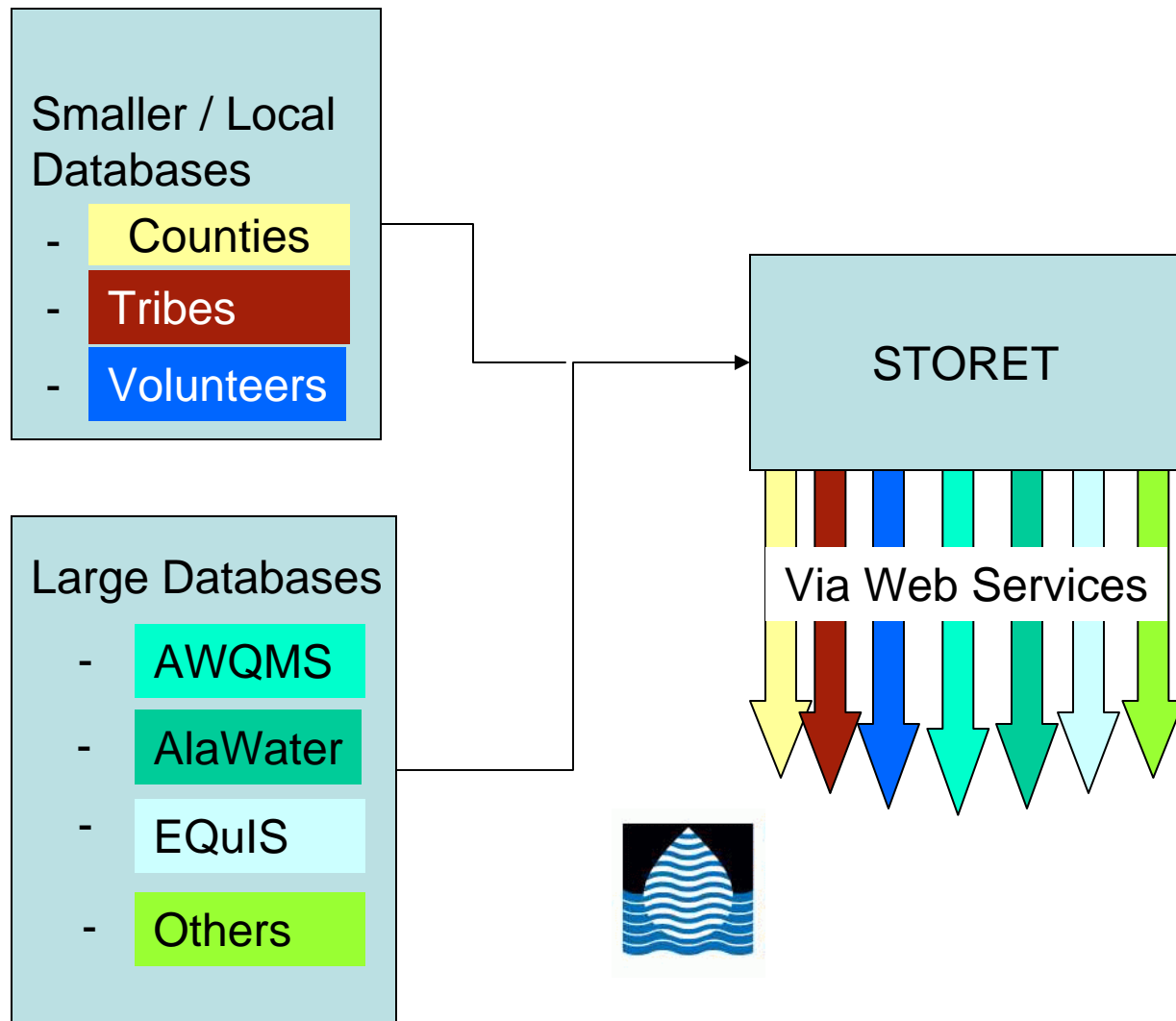
- WQX Web

<http://www.epa.gov/storet/wqx.html>

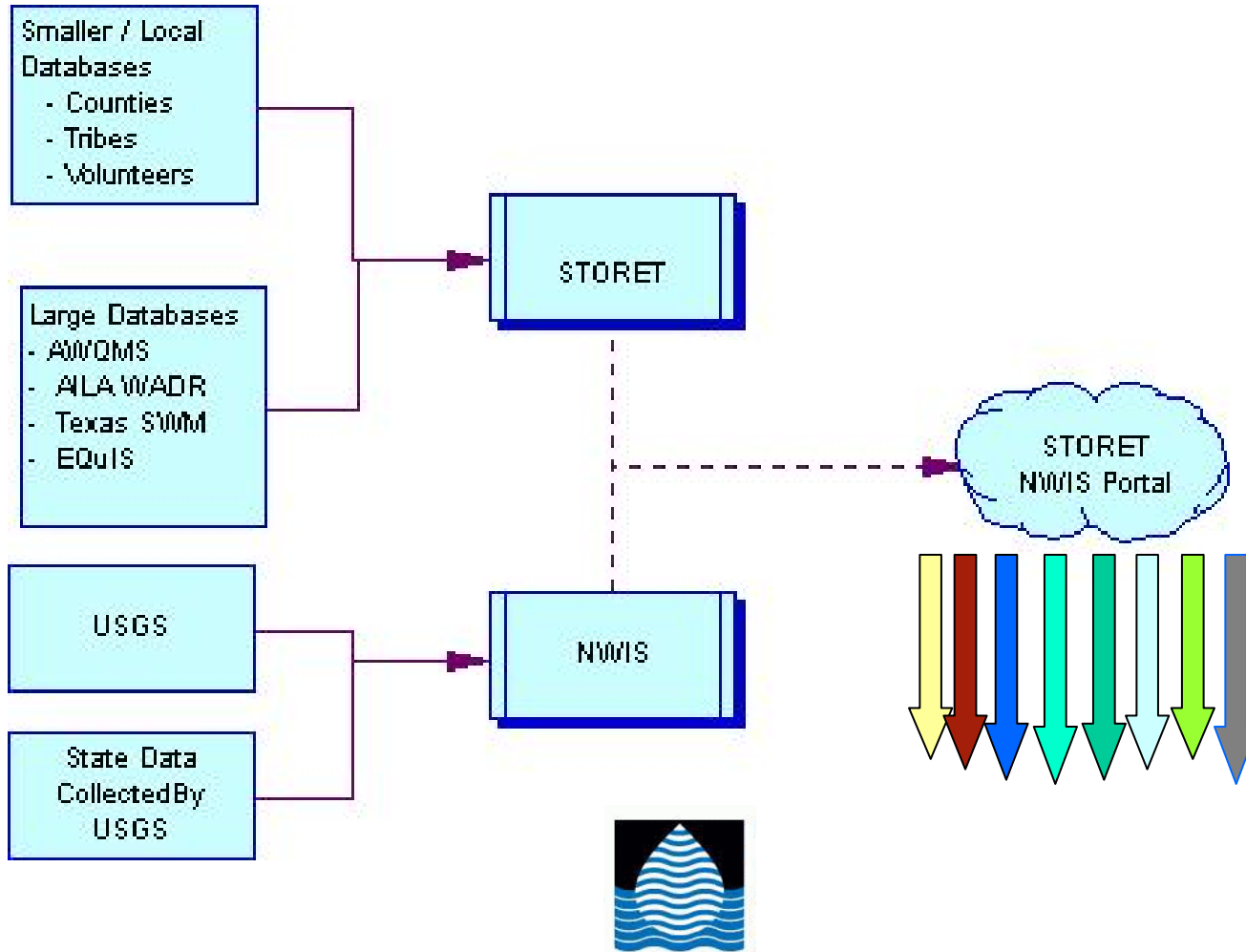
Assembling Data



Distributing Data



Distributing More Data





NATIONAL WATER QUALITY MONITORING COUNCIL

Working Together for Clean Water

What Else is Needed?

- Workshops ?
- Tools
- Other
 - Communication?
 - Collaboration?
 - Coordination?