

# ACCOUNTING

BS/MS

2008-2010

COB ADVISING OFFICE



BA 123



940-565-2110



COBADVISING@UNT.EDU

## COURSE REQUIREMENTS

### University Core (42 hours)

Please see the UNT catalog or the COB Advising and Students Services Office in BA123 for specific core requirements.

### Pre-Business Requirements (20-24 hours)

ECON 1100 & 1110 (6 hrs)	Micro and Macroeconomics
ENGL 2700 (3 hrs)	Technical Writing
Free Electives (0-5 hrs)	Free Electives
MATH 1190, 1400, or 1710 (3 hrs)	Math with Calculus
ACCT 2010 & 2020 (6 hrs)	Principles of Accounting I & II
BCIS 2610 (3 hrs)	Introduction to Computers in Business
DSCI 2710 (3 hrs)	Data Analysis with Spreadsheets

**IMPORTANT NOTICE:** Students must have a 2.7 UNT GPA and have earned a grade of "C" or higher in the following courses prior to filing a degree plan and enrolling in upper level business courses: ENGL 1310 & 1320/2700, ECON 1100 & 1110, MATH1190/1400, BCIS 2610, ACCT 2010 & 2020, and DSCI 2710.

### Business Foundation Courses (18 hours)

BCIS 3610 (3 hrs)	Basic Information Systems
BLAW 3430 (3 hrs)	Legal and Ethical Environment of Business
DSCI 3710 (3 hrs)	Business Statistics II
FINA 3770 (3 hrs)	Finance
MGMT 3720 (3 hrs)	Organizational Behavior
MKTG 3650 (3 hrs)	Foundations of Marketing Practice

Effective Fall 2004: Students may not retake any accounting course which is a prerequisite for an accounting course they have completed with a "C" or better. Furthermore, students may not retake any accounting course more than once (for a total of two times).

### Professional Field (19 hours)

ACCT 3110 (3 hrs)	Intermediate I
ACCT 3120 (3 hrs)	Intermediate II
ACCT 3270 (3 hrs)	Cost Accounting
ACCT 3405 (1 hr)	Professional Development
ACCT 4100 (3 hrs)	Accounting Systems
ACCT 4300 (3 hrs)	Taxation
ACCT 4400 (3 hrs)	Auditing

Admission to the MS portion requires a 3.0 Accounting GPA, which is comprised of ACCT 3110, 3120, 3270, 4100, 4300, and 4400.

### Supporting Field (15 hours)

BCIS 4660 or 4690 (3 hrs)	Decision Sys. Design or Info Tech Mgmt
ECON 3xxx-4xxx (6 hrs)	Advanced Economics
Approved Elective (3 hrs)	BCIS 3xxx-4xxx, MGMT 3830*, MGMT 4810, or DSCI 3870
Approved Elective (3 hrs)	Any approved 3000, 4000, 5000 course (MGMT 3330 recommended to meet CPA reqs) (See BA215 for approval)

\* strongly recommended to meet leveling requirements for MS portion

### MS Graduate Portion (36 hours)

See the Graduate Programs Office (BA229) for admission information and graduate degree course requirements.

A 2.7 UNT, 2.0 Overall, and 2.7 Professional Field GPA is required for graduation.

A grade of "C" or higher is required in all Business Foundation, Professional Field, and Supporting Field courses.

For more information on careers and companies recruiting graduates from this program, contact April Kuykendall, BBA/BS Career Advisor, at 940-565-2707 or [aprilk@unt.edu](mailto:aprilk@unt.edu).



**[WWW.COB.UNT.EDU/PROGRAMS/UNDERGRAD/](http://WWW.COB.UNT.EDU/PROGRAMS/UNDERGRAD/)**

# Suggested Curriculum Guide for BS/MS in ACCOUNTING

## 2009 & 2010 Catalog Years

YEAR	FALL SEMESTER	HOURS	SPRING SEMESTER	HOURS
<b>FRESHMAN</b>	English (ENGL 1310, 1313)	3	English (TECM 2700)	3
	Mathematics (Prerequisite course to Math 1190, if required)	3	Mathematics (MATH 1190, 1400, 1710 or 1720)	3
	History (HIST 2610)	3	History (HIST 2620)	3
	Political Science (PSCI 1040 or 1050 )	3	Economics (ECON 1100)	3
	Understanding the Human Community	3	Intro to Computers (BCIS 2610)	3
	<b>Total</b>		15	

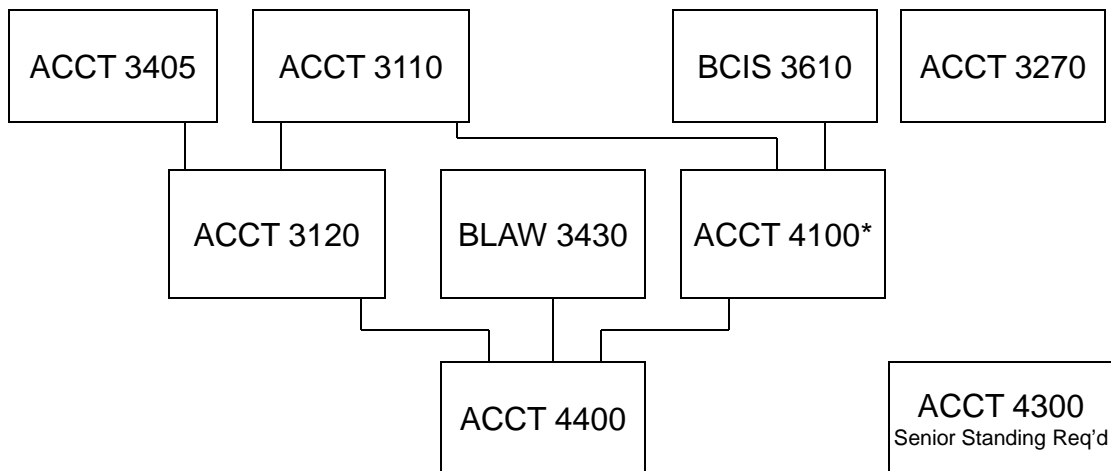
YEAR	FALL SEMESTER	HOURS	SPRING SEMESTER	HOURS
<b>SOPHOMORE</b>	Humanities	3	Laboratory Science	3
	Laboratory Science	3	Understanding the Human Community (COMM 1010 preferred)	3
	Economics (ECON 1110)	3	Political Science (PSCI 1040 or 1050 )	3
	Accounting (ACCT 2010)	3	Accounting (ACCT 2020)	3
	Visual and Performing Arts	3	Data Analysis with Spreadsheets (DSCI 2710)	3
	<b>Total</b>		15	

YEAR	FALL SEMESTER	HOURS	SPRING SEMESTER	HOURS
<b>JUNIOR</b>	Basic Information Systems (BCIS 3610)	3	Legal and Ethical Environment of Business (BLAW 3430)	3
	Intermediate Accounting I (ACCT 3110)	3	Intermediate Accounting II (ACCT 3120)	3
	Cost Accounting (ACCT 3270)	3	Accounting Info Systems (ACCT 4100) or Tax (ACCT 4300)	3
	Foundations of Marketing Practice (MKTG 3650)	3	Finance (FINA 3770)	3
	Business Statistics (DSCI 3710)	3	Free Elective	2
	Professional Development (ACCT 3405)	1		
<b>Total</b>		16		14

YEAR	FALL SEMESTER	HOURS	SPRING SEMESTER	HOURS
<b>SENIOR</b>	BCIS 4660 or 4690 or 4740	3	Advanced Economics (ECON 3xxx-4xxx)	3
	Approved Supporting Field Elective (MGMT 3330 preferred) or (3000, 4000, or 5000 CoB course)	3	Auditing (ACCT 4400)	3
	Tax (ACCT 4300) or Accounting Info Systems (ACCT 4100)	3	Approved Supporting Field Elective (MGMT 3830 preferred) or (BCIS 3xxx-4xxx, MGMT 4810, or DSCI 3870)	3
	Advanced Economics (ECON 3xxx-4xxx)	3		
	Organizational Behavior (MGMT 3720)	3		
<b>Total</b>		15		9

- This schedule is only a suggestion; make sure you understand the necessary prerequisites for each course and consult your Accounting Department Advisor in the Undergraduate Advising Office. Course availability subject to change; actual degree audits may change depending on course availability in a given semester.
- **Bolded courses** are pre-business prerequisites to all jr./sr. level business courses and require a grade of C or higher. Math placement is required before enrolling in any MATH course.
- Completion of all pre-business prerequisite courses and a UNT cumulative 2.7 minimum gpa are required prior to enrolling in any jr./sr. level business courses and/or filing for an official degree plan.
- A total of 114 undergraduate credit hours and 36 graduate credit hours are required for this degree. GPA requirements for graduation: 2.7 UNT cumulative, 2.7 Professional Field, and 2.0 Overall.
- Sometimes multiple university requirements can be addressed by a single course. Ensure you understand your course and credit hour obligations.

## BS/MS Recommended Sequencing



- \*Corequisite: Must be taken concurrently with, or after, ACCT 3120
- Check current catalog for additional course prerequisites