


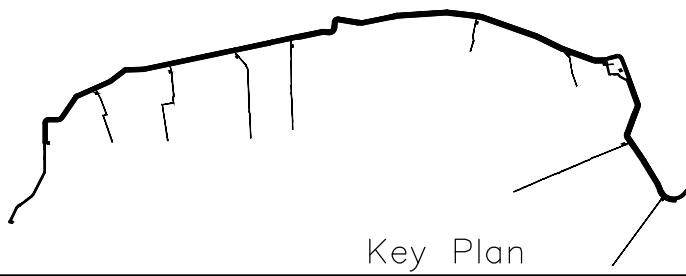
## **ALIGNMENT C1 – OVERALL PLAN VIEWS**



**Legend**

- Center Line of Levee
- Toe of Levee
- - - Levee Servitude
- ▨ Levee
- ▨ Canal
- Borrow Servitude

3000 0 3000 6000  
SCALE IN FEET

XREF: NONE

DATE:

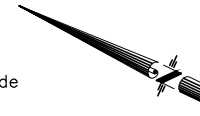

FILE NAME: X.DWG

SHEET NUMBER	C1.0
PROJECT	ST. CHARLES / ST. JOHN THE BAPTIST / ST. JAMES / ASCENSION PARISHES
PARISH	ST. CHARLES / ST. JOHN THE BAPTIST / ST. JAMES / ASCENSION PARISHES
USE	HURRICANE PROTECTION PROJECT
PRODUCT	Alignment C
	
<b>WEST SHORE - LAKE PONTCHARTRAIN, LA</b> HURRICANE PROTECTION PROJECT PARISHES OF ST. CHARLES, ST. JOHN THE BAPTIST, ST. JAMES, AND ASCENSION	
	
BKI MA GSA	
DESIGNED	DEB/TNP
CHECKED	HMP
DATE	03/2014
SHEET	1 of 45
NO.	DATE
BY	REVISION DESCRIPTION

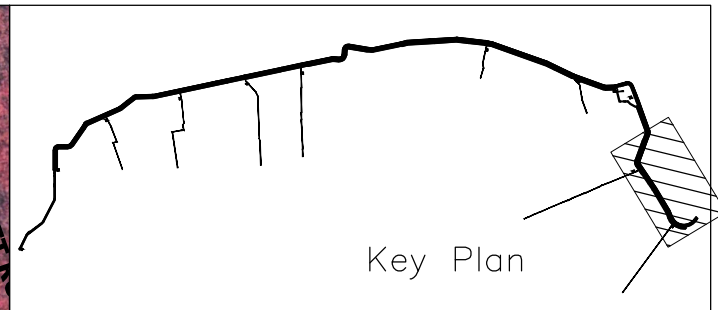


**Legend**

- Center Line of Levee
- Toe of Levee
- - - - - Levee Servitude
- ▨ Levee
- ▨ Borrow Canal
- ▨ Borrow Servitude

SCALE IN FEET



XREF: XREFNAME

DATE: PLOTDATE

FILE NAME: FILENAME

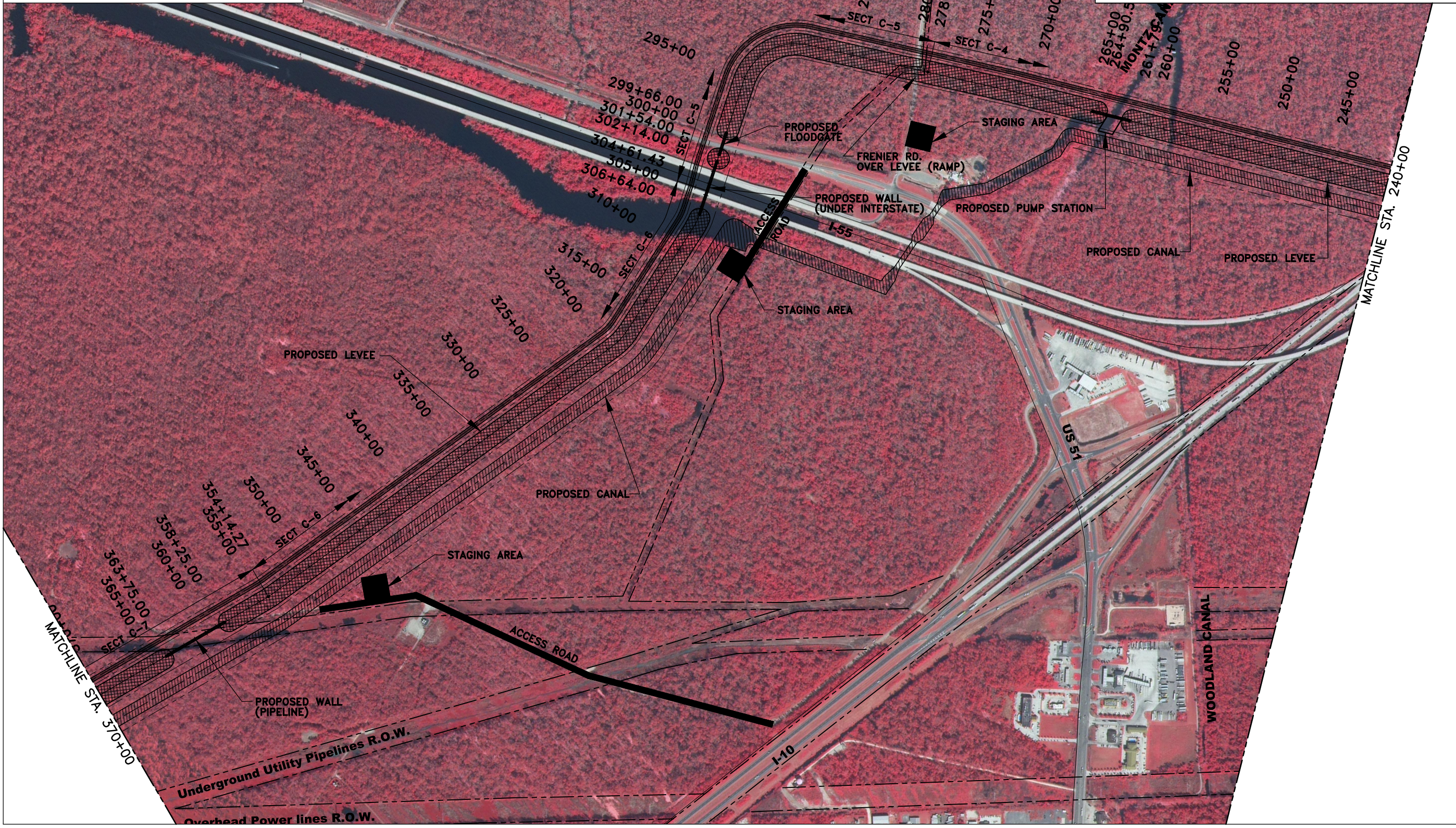
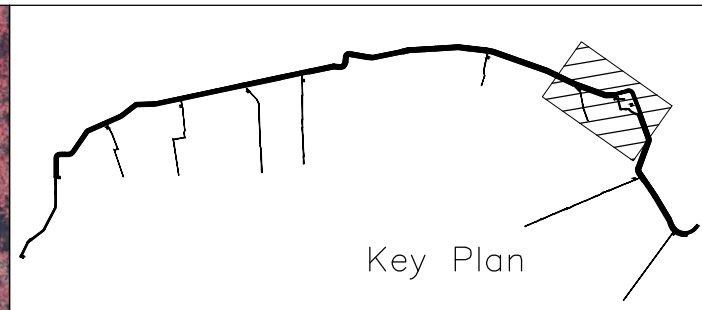
SHEET NUMBER		C1.1	
ST. CHARLES / ST. JOHN THE BAPTIST / ASCENSION PARISHES			
PARISH	P.L.D.	USACE	PROJECT
			
<b>WEST SHORE - LAKE PONTCHARTRAIN, LA</b> HURRICANE PROTECTION PROJECT PARISHES OF ST. CHARLES, ST. JOHN THE BAPTIST, ST. JAMES, AND ASCENSION			
		LEVEE PLANS	Alignment C
			
BKI MA GSA			
DESIGNED	D.E.B./T.N.P.	DATE	03/2014
CHECKED	H.M.P.	SHEET	2 of 21
DETAILED	G.A.D.		
CHECKED	D.E.B./T.N.P.		
		NO.	BY
		DATE	REVISION DESCRIPTION



**Legend**

- Center Line of Levee
- Toe of Levee
- - - - - Levee Servitude
- ▨ Levee
- ▨ Borrow Canal
- ▨ Borrow Servitude

400 0 400 800  
SCALE IN FEET



XREF: NONE

DATE:

FILE NAME: X.DWG

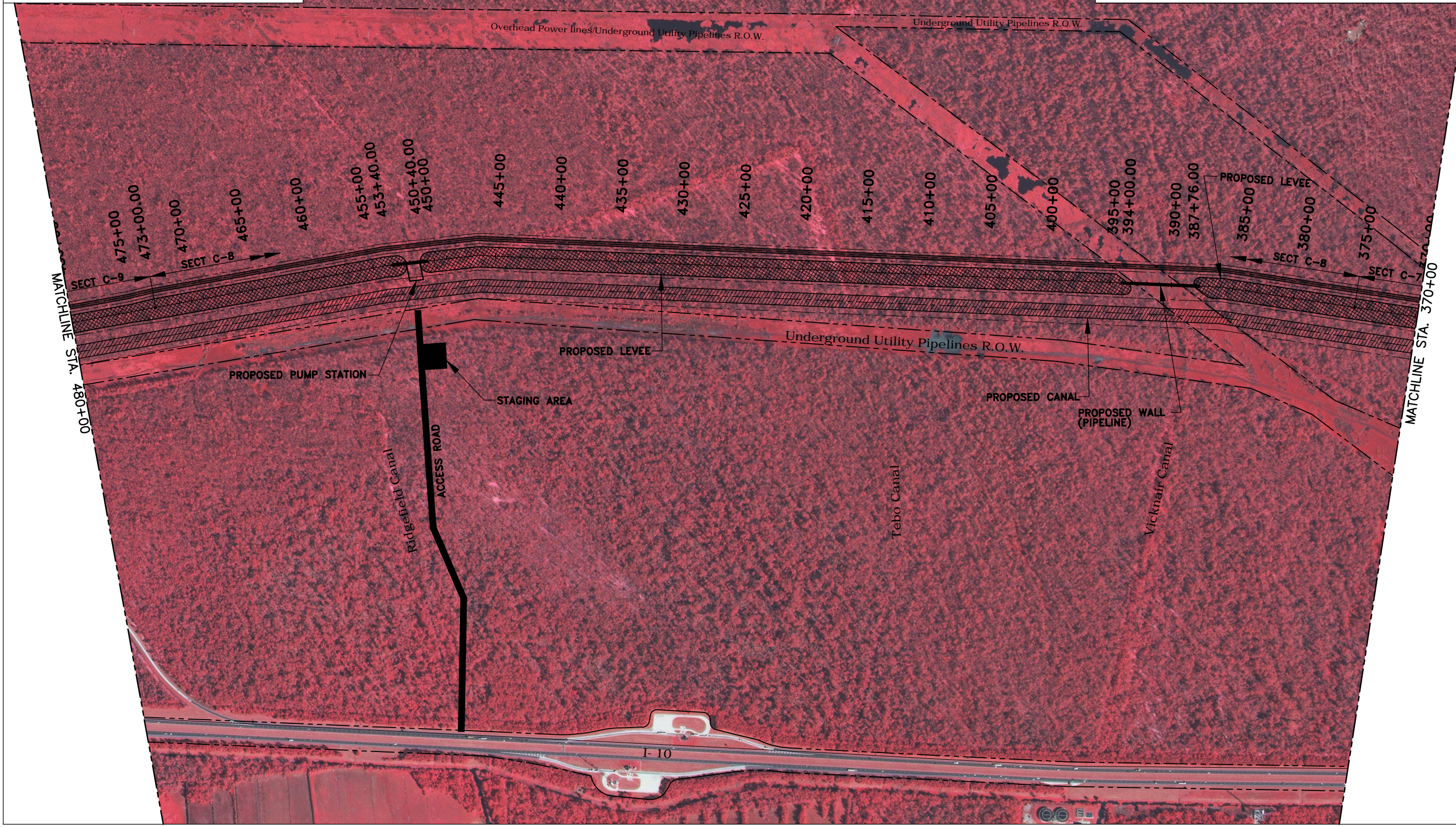
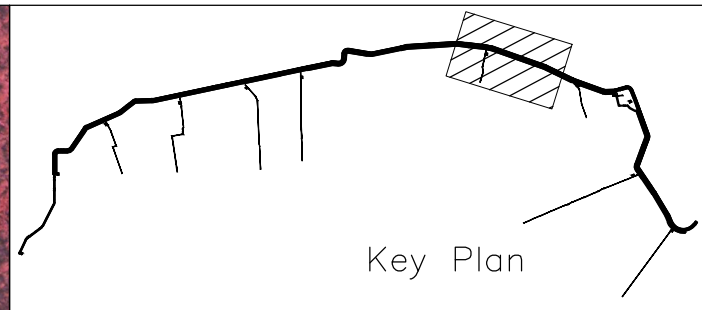
SHEET NUMBER	C1.2
ST. CHARLES / ST. JOHN THE BAPTIST / ST. JAMES / ASCENSION PARISHES	
PARISH	
P.L.D. PROJECT	
USACE PROJECT	
<b>WEST SHORE - LAKE PONTCHARTRAIN, LA</b> HURRICANE PROTECTION PROJECT PARISHES OF ST. CHARLES, ST. JOHN THE BAPTIST, ST. JAMES, AND ASCENSION	
LEVEE PLANS	Alignment C
<b>BKI</b> <b>MA GSA</b>	
DESIGNED	DEB/TNP
CHECKED	HMP
DETAILED	GAD
CHECKED	DEB/TNP
DATE	03/2014
SHEET	3 of 45
NO.	
DATE	
REVISION DESCRIPTION	
BY	



**Legend**

- Center Line of Levee
- Toe of Levee
- - - - Levee Servitude
- ▨ Levee
- ▩ Borrow Canal
- Borrow Servitude

SCALE IN FEET




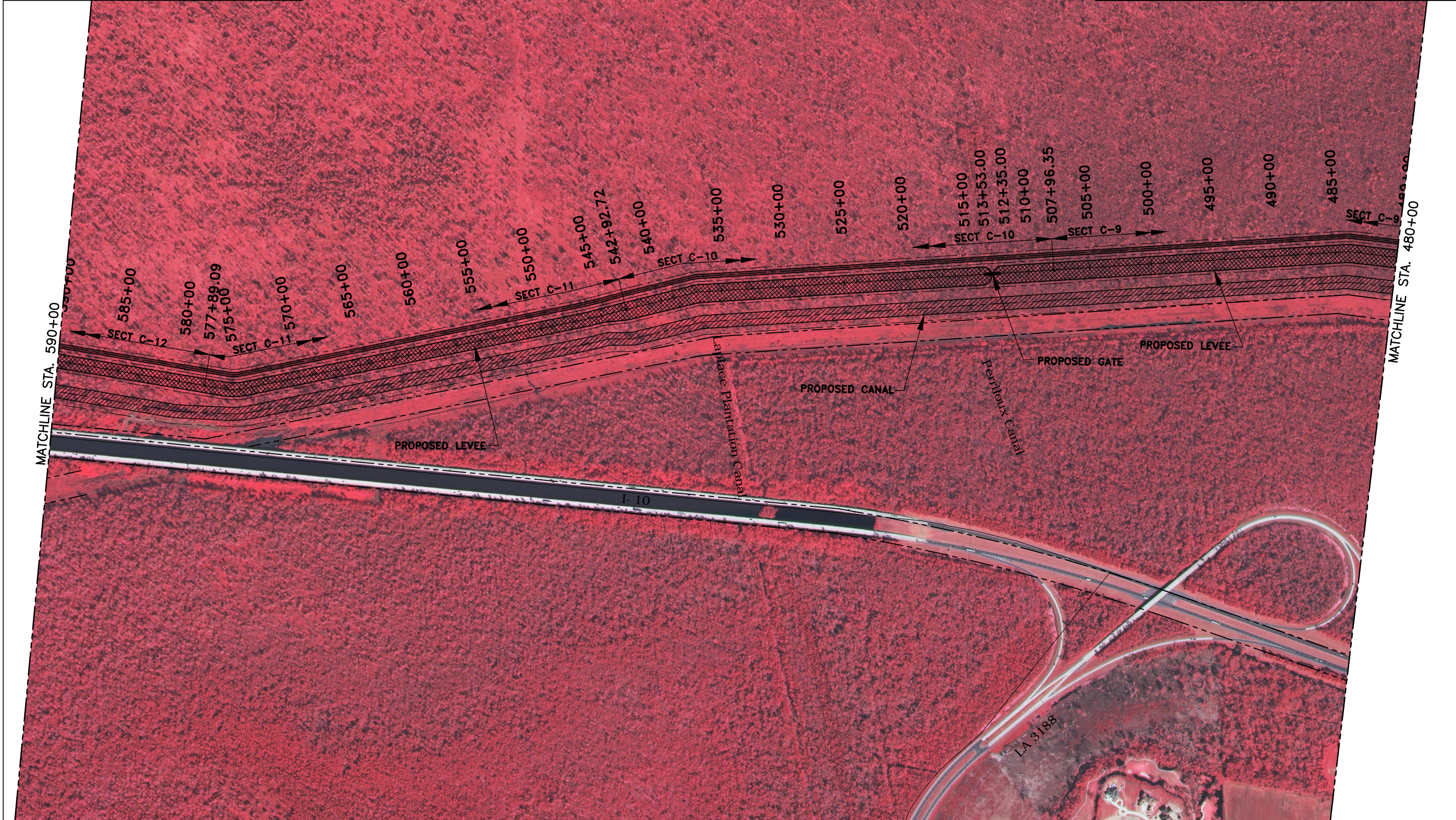
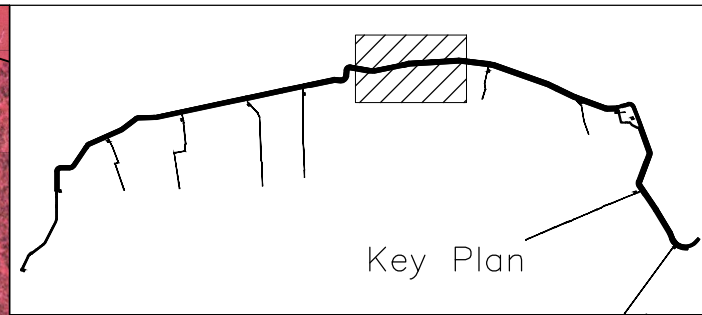
SHEET NUMBER	C1.3
ST. CHARLES / ST. JOHN THE BAPTIST / ASCENSION PARISHES	
PARISH	ST. CHARLES / ST. JOHN THE BAPTIST / ASCENSION PARISHES
P/D PROJECT	
USACE PROJECT	
<b>WEST SHORE - LAKE PONTCHARTRAIN, LA</b> HURRICANE PROTECTION PROJECT PARISHES OF ST. CHARLES, ST. JOHN THE BAPTIST, ST. JAMES, AND ASCENSION	
LEVEE PLANS	Alignment C
BKI MA GSA	
DESIGNED	DEB/TNP
CHECKED	HMP
DETAILED	GAD
CHECKED	DEB/TNP
DATE	03/2014
SHEET	4 of 45
NO.	BY
DATE	REVISION DESCRIPTION



**Legend**

- Center Line of Levee
- Toe of Levee
- - - - - Levee Servitude
- ▨ Levee
- ▨ Borrow Canal
- Borrow Servitude

400 0 400 800  
SCALE IN FEET

FILE NAME: X.DWG

DATE:

XREF: NONE

SHEET NUMBER		C1.4	
PARISH		ST. CHARLES / ST. JOHN THE BAPTIST / ASCENSION PARISHES	
PROJECT		WEST SHORE - LAKE PONTCHARTRAIN, LA HURRICANE PROTECTION PROJECT	
ALIGNMENT		ALIGNMENT C	
DESIGNED		DEB/TNP	
CHECKED		HMP	
DATE		03/2014	
SHEET		5 of 45	
BY			
REVISION DESCRIPTION			
NO.			
DATE			
DESIGNED		GAD	
CHECKED		DEB/TNP	
DATE		03/2014	
SHEET		5 of 45	
BY			
REVISION DESCRIPTION			
NO.			
DATE			



WEST SHORE - LAKE PONTCHARTRAIN, LA  
HURRICANE PROTECTION PROJECT  
PARISHES OF ST. CHARLES, ST. JOHN THE BAPTIST,  
ST. JAMES, AND ASCENSION



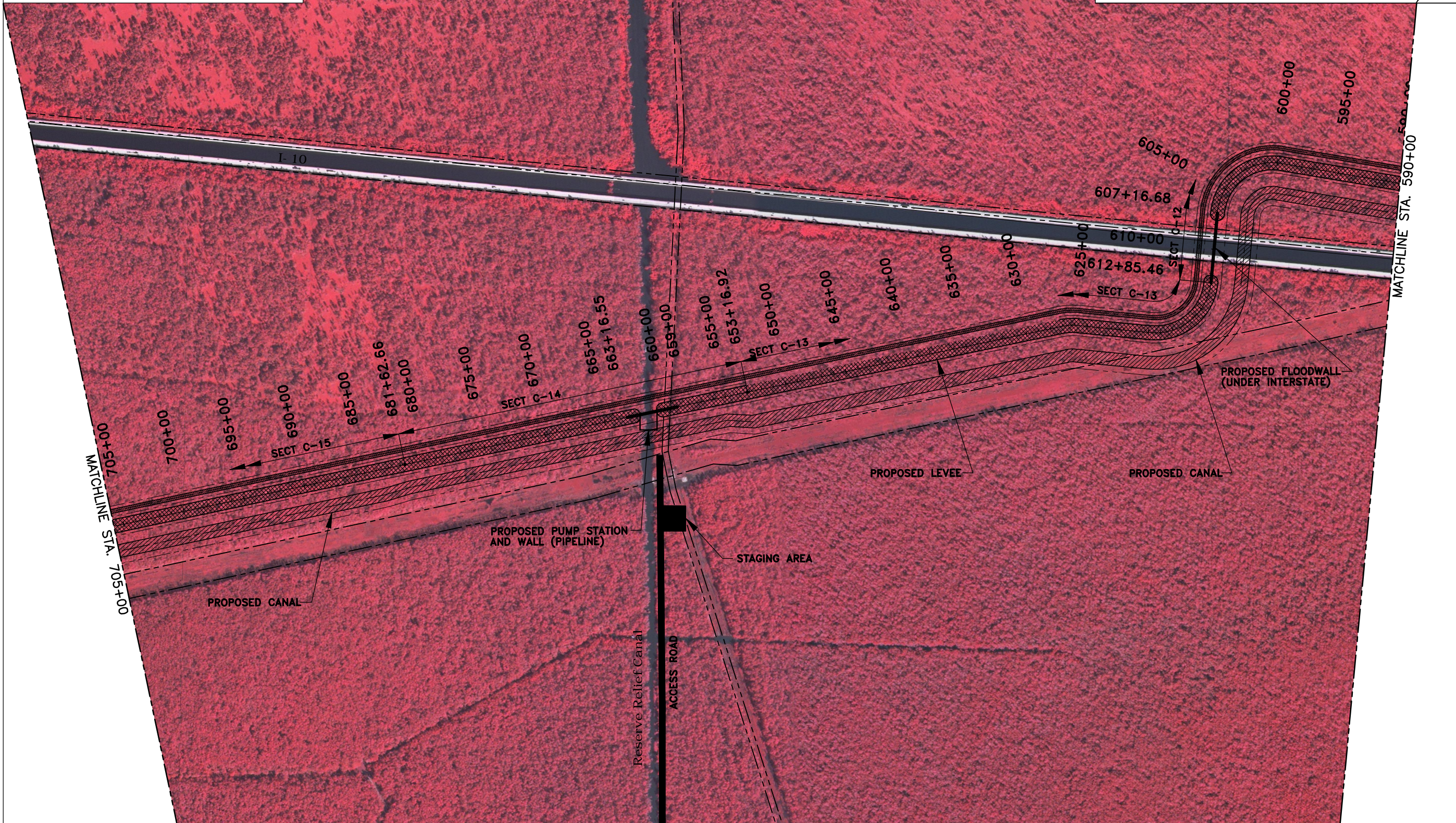
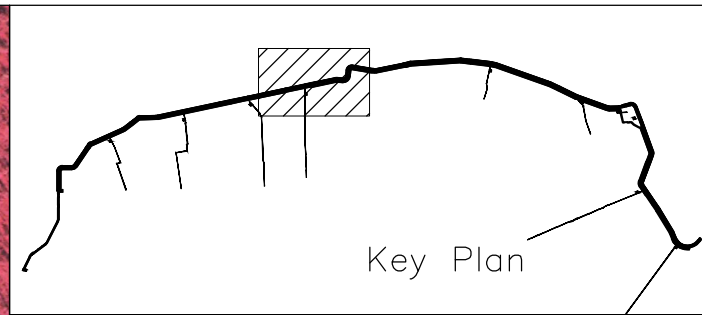
BKI  
MA GSA



**Legend**

- Center Line of Levee
- Toe of Levee
- - - - - Levee Servitude
- ▨ Levee
- ▨ Borrow Canal
- ▨ Borrow Servitude

SCALE IN FEET



XREF: NONE

DATE:


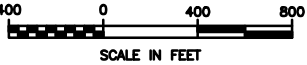
FILE NAME: X.DWG

SHEET NUMBER		C1.5	
ST. CHARLES / ST. JOHN THE BAPTIST / ASCENSION PARISHES			
PARISH	P/D PROJECT	USACE PROJECT	
<b>WEST SHORE - LAKE PONTCHARTRAIN, LA</b> HURRICANE PROTECTION PROJECT PARISHES OF ST. CHARLES, ST. JOHN THE BAPTIST, ST. JAMES, AND ASCENSION			
ALIGNMENT C		LEVEE PLANS	
BKI MA GSA			
DESIGNED	DEB/TNP	DATE	BY
CHECKED	HMP	03/2014	6 of 45
DETAILED	GAD		
CHECKED	DEB/TNP		
NO.		REVISION DESCRIPTION	

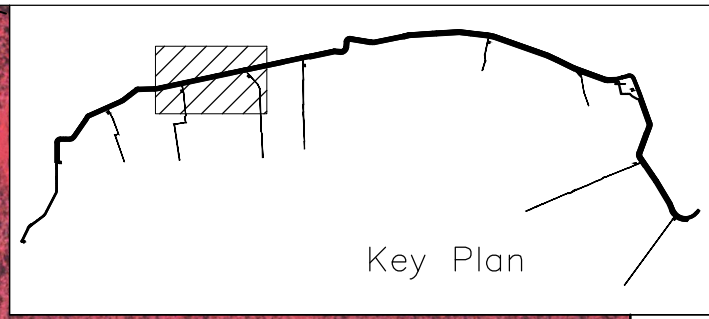


**Legend**

- Center Line of Levee
- Toe of Levee
- - - - - Levee Servitude
- ▨ Levee
- ▨ Borrow Canal
- Borrow Servitude

SCALE IN FEET



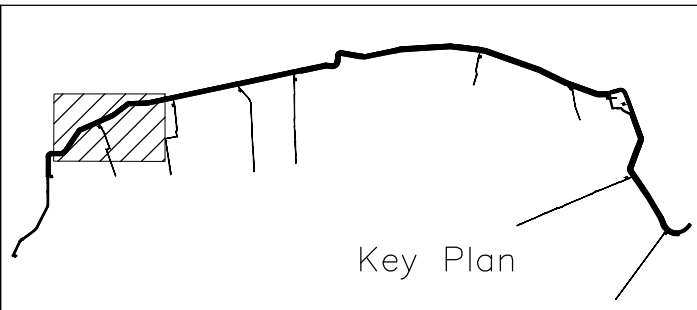
SHEET NUMBER		C1.6	
ST. CHARLES / ST. JOHN THE BAPTIST / ASCENSION PARISHES			
PARISH	P/D PROJECT	USACE PROJECT	
			
<b>WEST SHORE - LAKE PONTCHARTRAIN, LA</b> HURRICANE PROTECTION PROJECT PARISHES OF ST. CHARLES, ST. JOHN THE BAPTIST, ST. JAMES, AND ASCENSION			
LEVEE PLANS		Alignment C	
			
<b>BKI</b> <b>MA GSA</b>			
DESIGNED	DEB/TNP	DATE	03/2014
CHECKED	HMP	SHEET	7 of 45
DETAILED	GAD		
CHECKED	DEB/TNP		
NO.	DATE	REVISION DESCRIPTION	BY



**Legend**

- Center Line of Levee
- Toe of Levee
- - - - - Levee Servitude
- ▨ Levee
- ▨ Borrow Canal
- Borrow Servitude

400 0 400 800  
SCALE IN FEET



FILE NAME: X.DWG

DATE:

XREF: NONE

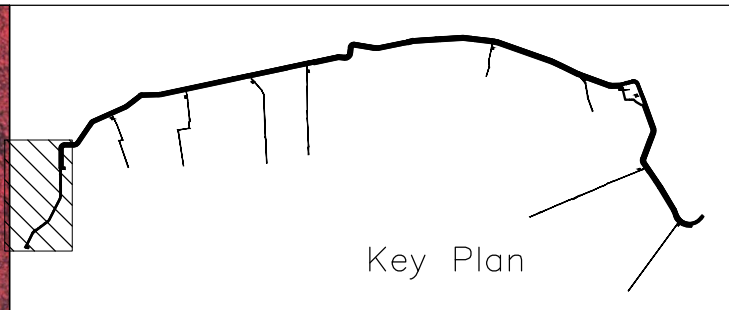
SHEET NUMBER	C1.7
PARISH	ST. CHARLES / ST. JOHN THE BAPTIST / ASCENSION PARISHES
P.D. PROJECT	
USACE PROJECT	
<b>WEST SHORE - LAKE PONTCHARTRAIN, LA</b> HURRICANE PROTECTION PROJECT PARISHES OF ST. CHARLES, ST. JOHN THE BAPTIST, ST. JAMES, AND ASCENSION	
LEVEE PLANS	Alignment C
<b>BKI</b> <b>MA GSA</b>	
DESIGNED	DEB/TNP
CHECKED	HMP
DETAILED	GAD
CHECKED	DEB/TNP
DATE	03/2014
SHEET	8 of 45
NO.	BY
DATE	REVISION DESCRIPTION



**Legend**

- Center Line of Levee
- Toe of Levee
- - - - - Levee Servitude
- Levee
- Borrow Canal
- Borrow Servitude

SCALE IN FEET



XREF: NONE

DATE:

FILE NAME: X.DWG

SHEET NUMBER	C1.8
PARISH	ST. CHARLES / ST. JOHN THE BAPTIST / ASCENSION PARISHES
P/D PROJECT	
USACE PROJECT	
<b>WEST SHORE - LAKE PONTCHARTRAIN, LA</b> HURRICANE PROTECTION PROJECT PARISHES OF ST. CHARLES, ST. JOHN THE BAPTIST, ST. JAMES, AND ASCENSION	
LEVEE PLANS	Alignment C
<b>BKI</b> <b>MA GSA</b>	
DESIGNED	DEB/TNP
CHECKED	HMP
DETAILED	GAD
CHECKED	DEB/TNP
DATE	03/2014
SHEET	9 of 45
NO.	
DATE	
REVISION DESCRIPTION	
BY	

MATCHLINE STA. 933+00



## **ALIGNMENT C2 – 1<sup>ST</sup> LIFT (Year 2020)**

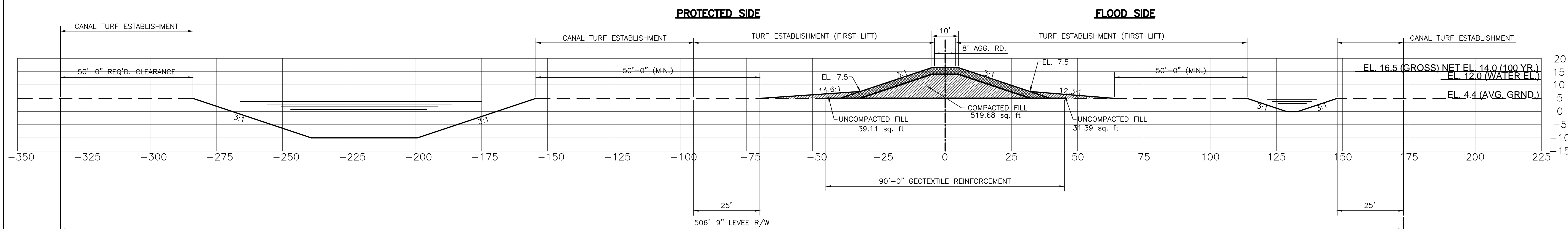
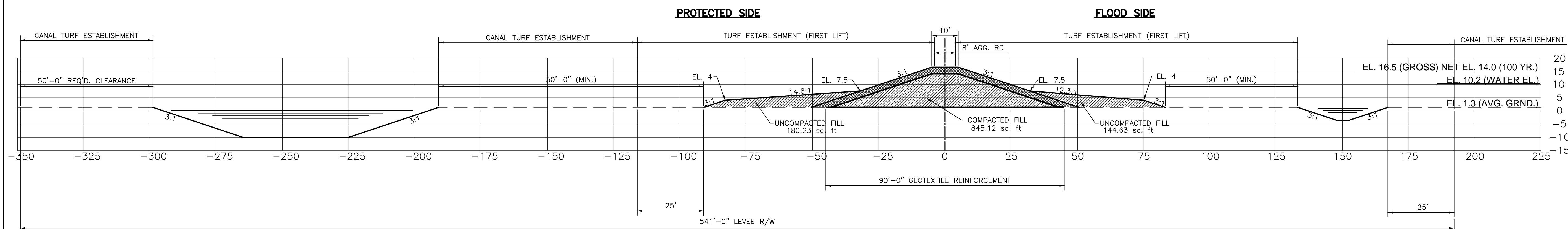
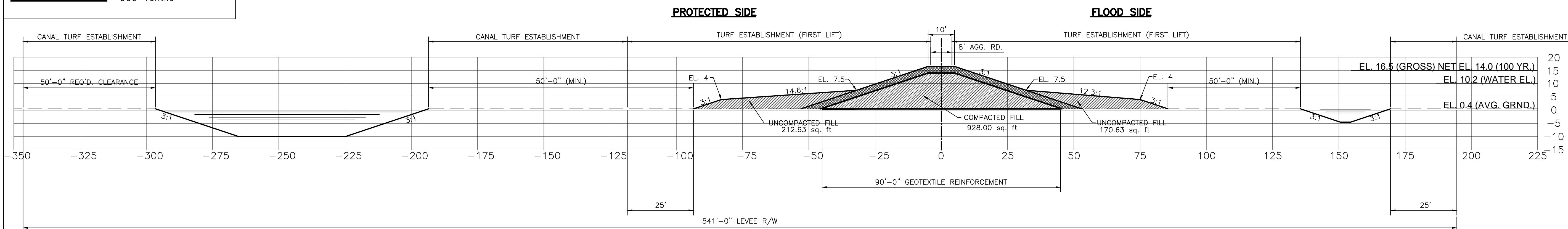


Legend

- Center Line of Levee
- Toe of Levee
- ▨ Compacted Fill (Overbuild)
- ▨ Compacted Fill
- ▨ Uncompacted Fill
- ▨ Geo Textile

GENERAL NOTES:

1. 3:1 SIDE SLOPES
2. 100% IMPORTED CLAY
3. CONVEYANCE CANAL DEPTH TO -16' NAVD88



XREF: NONE

DATE:

FILE NAME: X.DWG

SHEET NUMBER	C2.0
PARISH	ST. CHARLES / ST. JOHN THE BAPTIST
PROJECT	ST. JAMES / ASCENSION PARISHES
USAGE	PROJECT
<b>WEST SHORE - LAKE PONTCHARTRAIN, LA</b> HURRICANE PROTECTION PROJECT PARISHES OF ST. CHARLES, ST. JOHN THE BAPTIST, ST. JAMES, AND ASCENSION	
LEVEE PLANS	Alignment C
BKI MA GSA	
DESIGNED	DEB/TNP
CHECKED	HMP
REVISION	CAD
DATE	03/2014
SHEET	10 of 45
NO.	DATE
REVISION DESCRIPTION	BY





DESIGNED	DEB/TNP	DATE	03/2014
CHECKED	HMP	SHEET	11 OF 45
DETAILED	CAD		
CHECKED	DEB/TNP		

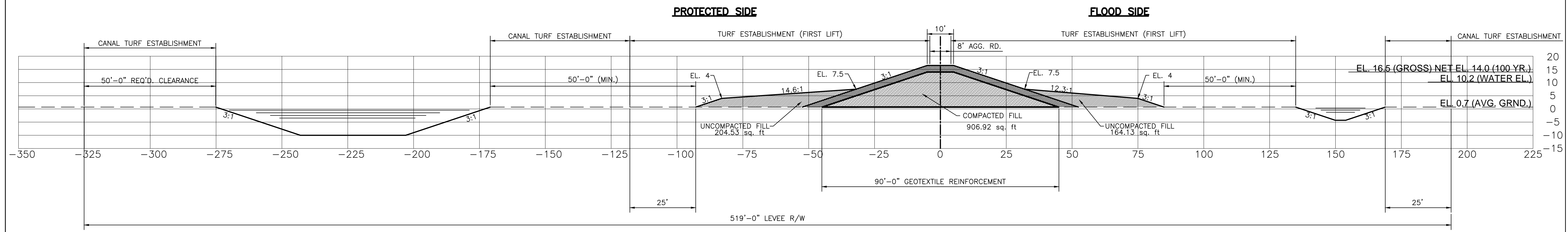
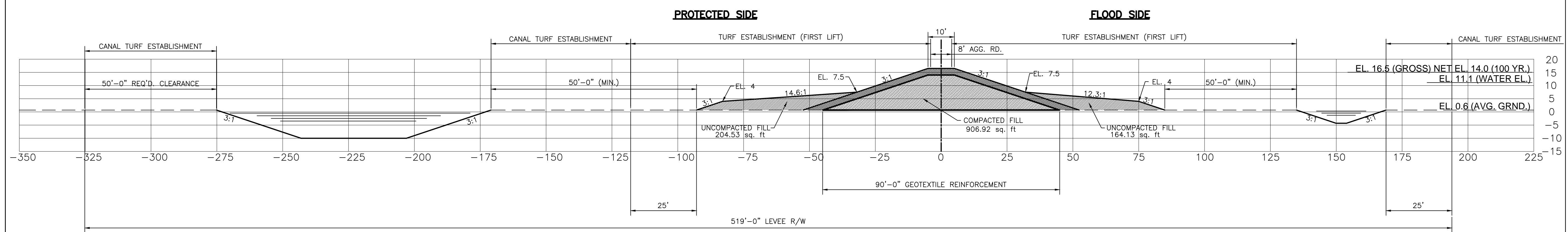
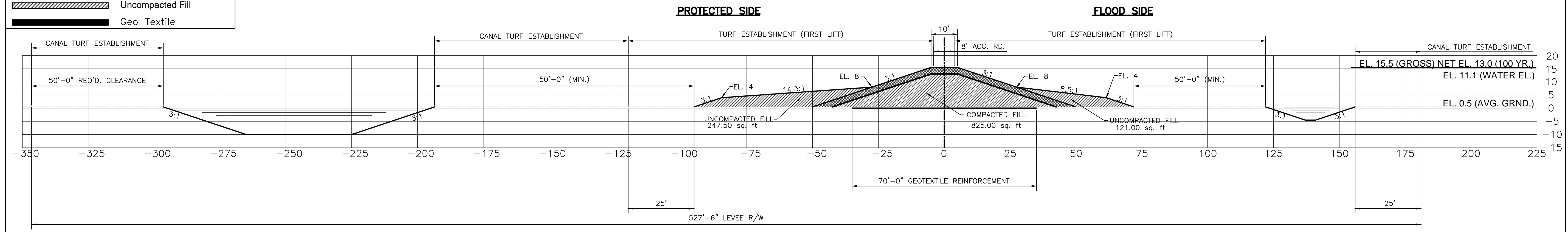
NO.	DATE	REVISION DESCRIPTION	BY

**Legend**

- Center Line of Levee
- Toe of Levee
- Compacted Fill (Overbuild)
- Compacted Fill
- Uncompacted Fill
- Geo Textile

**GENERAL NOTES:**  
 1. 3:1 SIDE SLOPES  
 2. 100% IMPORTED CLAY  
 3. CONVEYANCE CANAL DEPTH TO -10' NAVD88

SCALE IN FEET



XREF: NONE

DATE:

FILE NAME: X.DWG



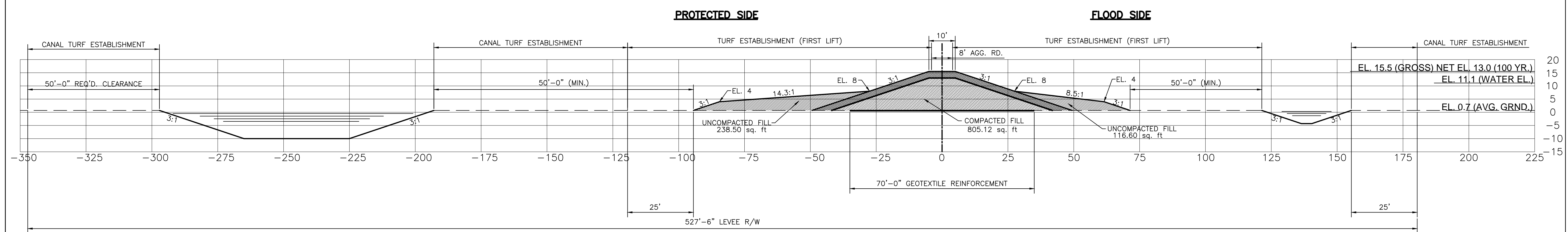
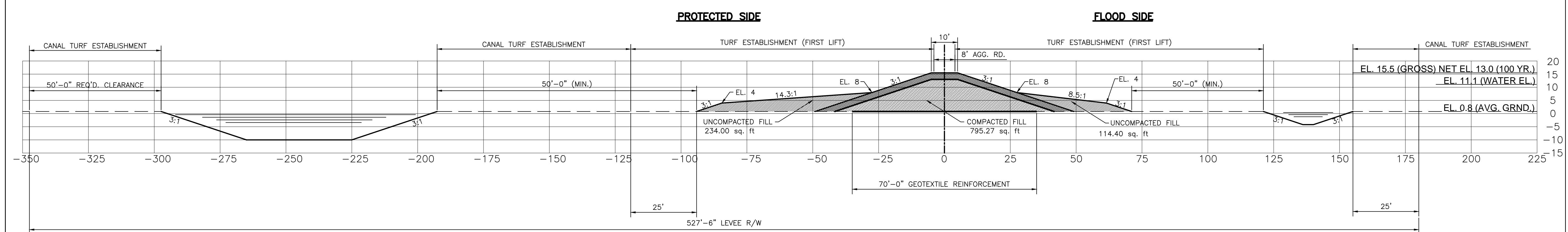
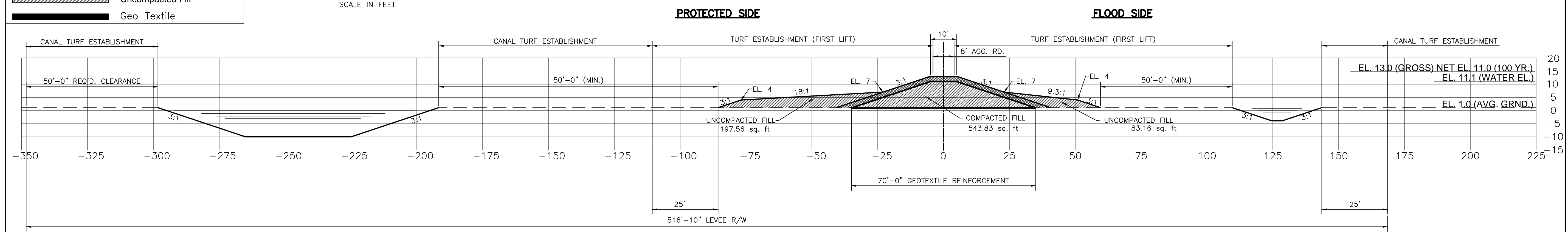
**Legend**

- Center Line of Levee
- Toe of Levee
- ▨ Compacted Fill (Overbuild)
- ▨ Compacted Fill
- ▨ Uncompacted Fill
- ▨ Geo Textile

**GENERAL NOTES:**

1. 3:1 SIDE SLOPES
2. 100% IMPORTED CLAY
3. CONVEYANCE CANAL DEPTH TO -10' NAVD88

SCALE IN FEET



XREF: NONE  
DATE:  
FILE NAME: X.DWG



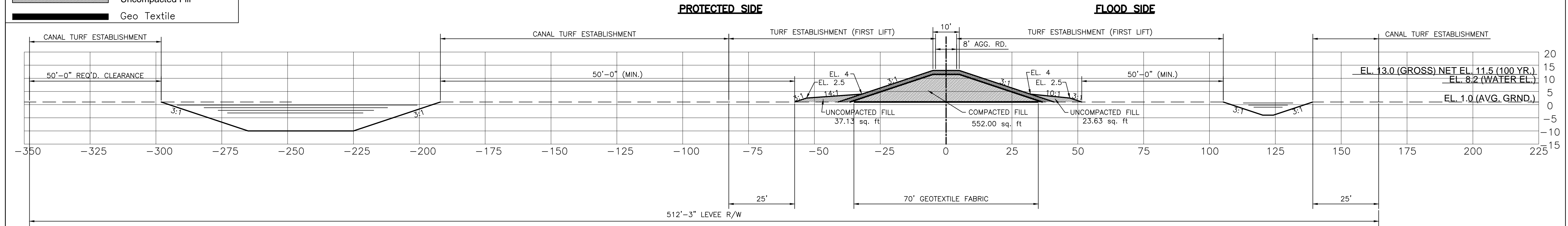
**Legend**

- Center Line of Levee
- Toe of Levee
- ▨ Compacted Fill (Overbuild)
- ▨ Compacted Fill
- ▨ Uncompacted Fill
- ▨ Geo Textile

**GENERAL NOTES:**

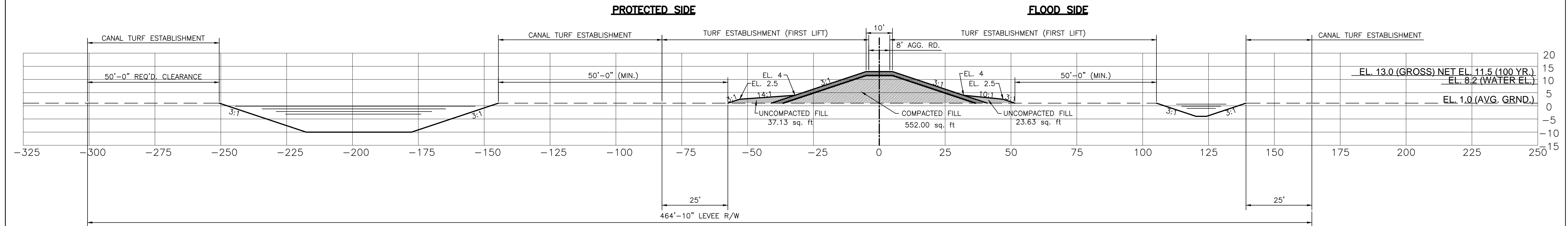
- 3:1 SIDE SLOPES
- 100% IMPORTED CLAY
- CONVEYANCE CANAL DEPTH TO -10' NAVD88

SCALE IN FEET



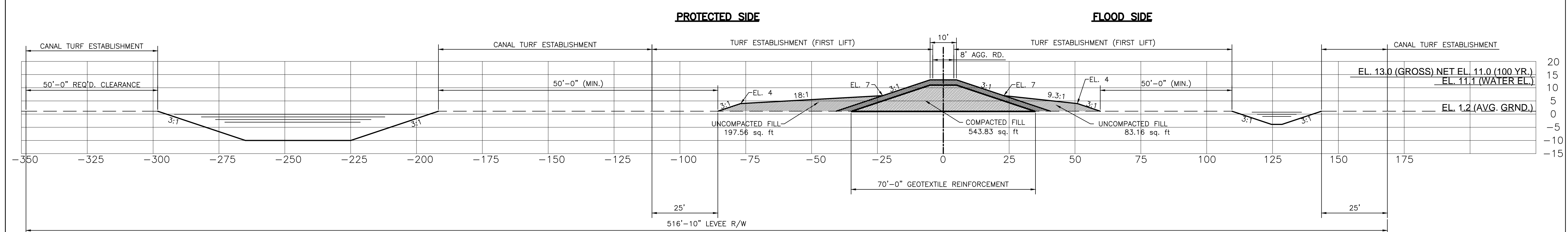
**Levee Section C-12 (Sta. 577+89.09 thru Sta. 612+85.46)**

**First Lift**  
Note: No Second Lift Required



**Levee Section C-11 (Sta. 542+92.72 thru Sta. 577+89.09)**

**First Lift**  
Note: No Second Lift Required



**Levee Section C-10 (Sta. 507+96.35 thru Sta. 542+92.72)**

**First Lift**  
Note: See Sht. C3.3 For Second Lift Section

XREF: NONE  
DATE:  
FILE NAME: X.DWG

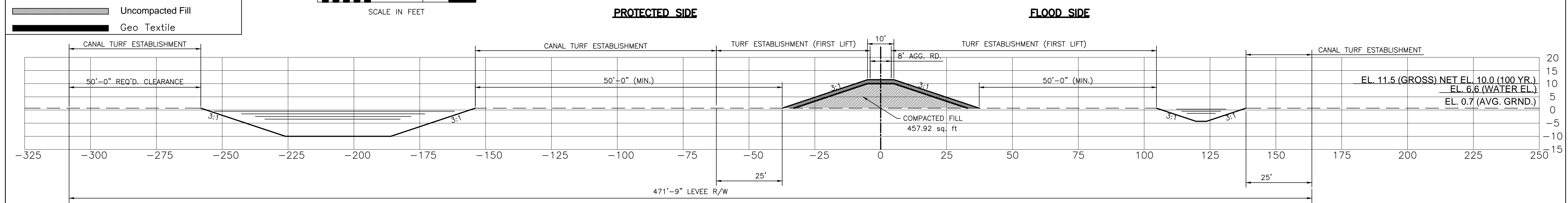
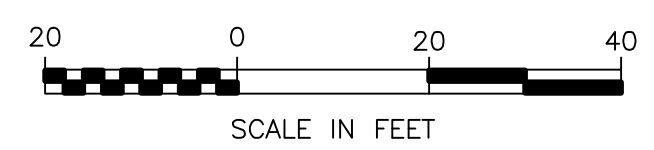


**Legend**

- Center Line of Levee
- Toe of Levee
- ▨ Compacted Fill (Overbuild)
- ▨ Compacted Fill
- ▨ Uncompacted Fill
- ▬ Geo Textile

**GENERAL NOTES:**

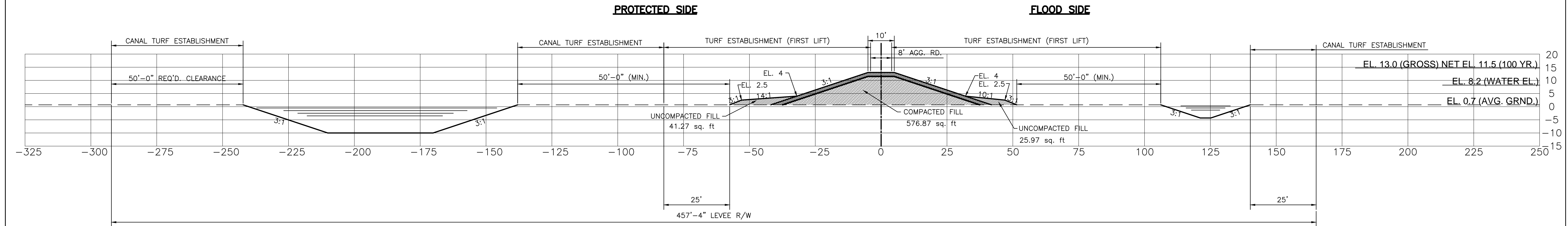
1. 3:1 SIDE SLOPES
2. 100% IMPORTED CLAY
3. CONVEYANCE CANAL DEPTH TO -10' NAVD88



**Levee Section C-15 (Sta. 681+62.66 thru Sta. 721+94.13)**

**First Lift**

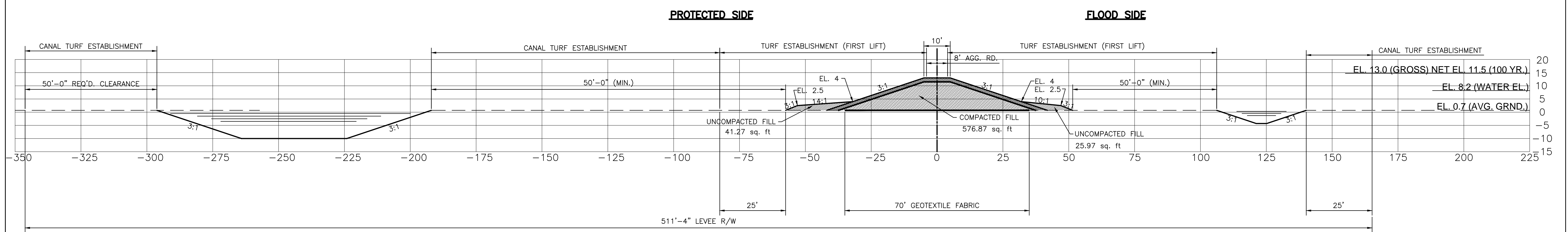
Note: No Second Lift Required



**Levee Section C-14 (Sta. 653+16.92 thru Sta. 681+62.66)**

**First Lift**

Note: No Second Lift Required



**Levee Section C-13 (Sta. 612+85.46 thru Sta. 653+16.92)**

**First Lift**

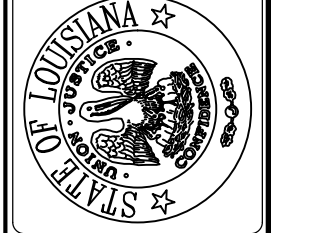
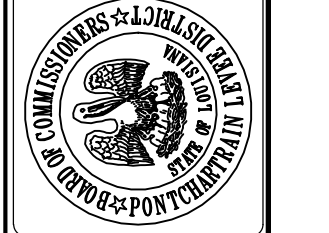
Note: See Sht. C3.3 For Second Lift Section

XREF: NONE

DATE:

FILE NAME: X.DWG





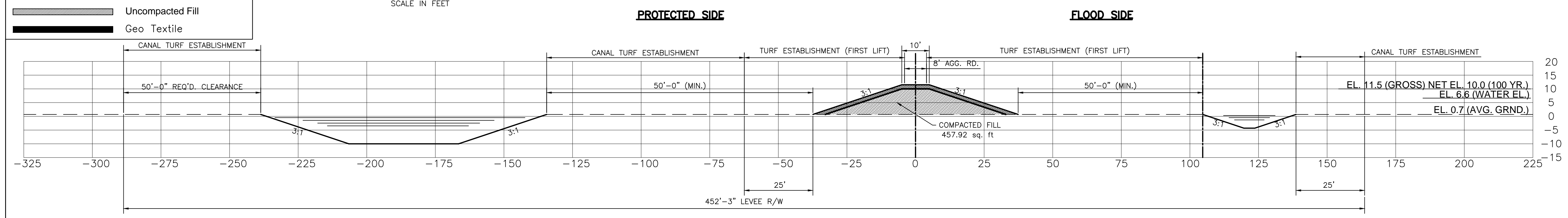
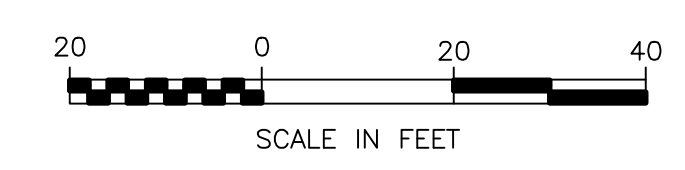
DESIGNED	DEB/TNP
CHECKED	HMP
DETAILED	CAD
CHECKED	DEB/TNP
DATE	03/2014
SHEET	15 OF 45

NO.	DATE	REVISION DESCRIPTION	BY

**Legend**

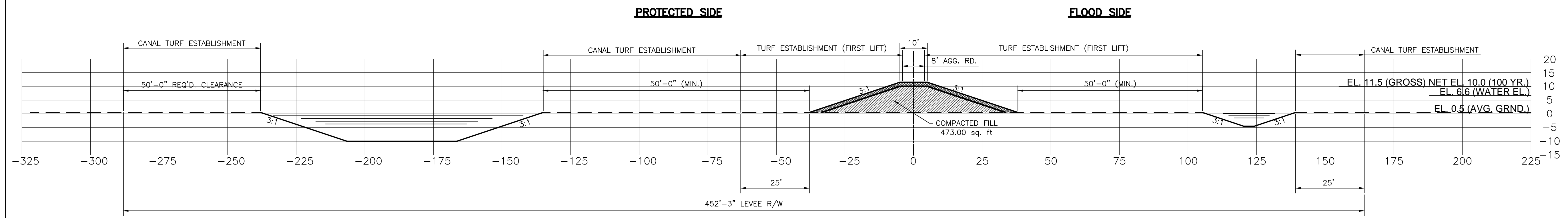
- Center Line of Levee
- Toe of Levee
- Compacted Fill (Overbuild)
- Compacted Fill
- Uncompacted Fill
- Geo Textile

**GENERAL NOTES:**  
 1. 3:1 SIDE SLOPES  
 2. 100% IMPORTED CLAY  
 3. CONVEYANCE CANAL DEPTH TO -10' NAVD88



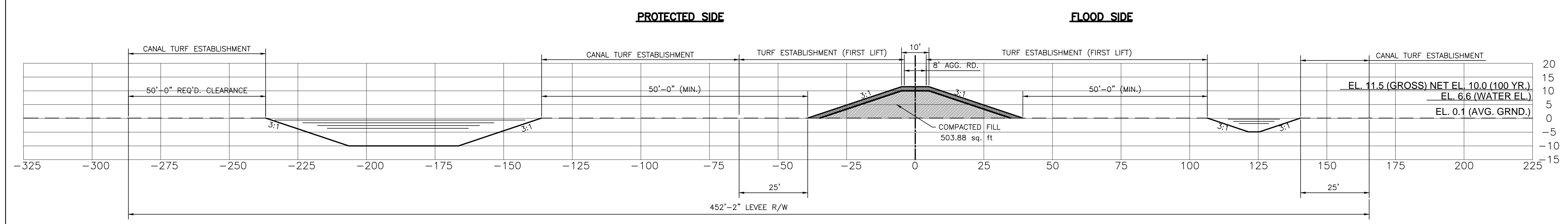
**Levee Section C-18 (Sta. 821+54.25 thru Sta. 850+00.00)**  
**First Lift**

Note: No Second Lift Required



**Levee Section C-17 (Sta. 740+91.43 thru Sta. 821+54.25)**  
**First Lift**

Note: No Second Lift Required



**Levee Section C-16 (Sta. 721+94.13 thru Sta. 740+91.31)**  
**First Lift**

Note: No Second Lift Required

XREF: NONE

DATE:

FILE NAME: X.DWG



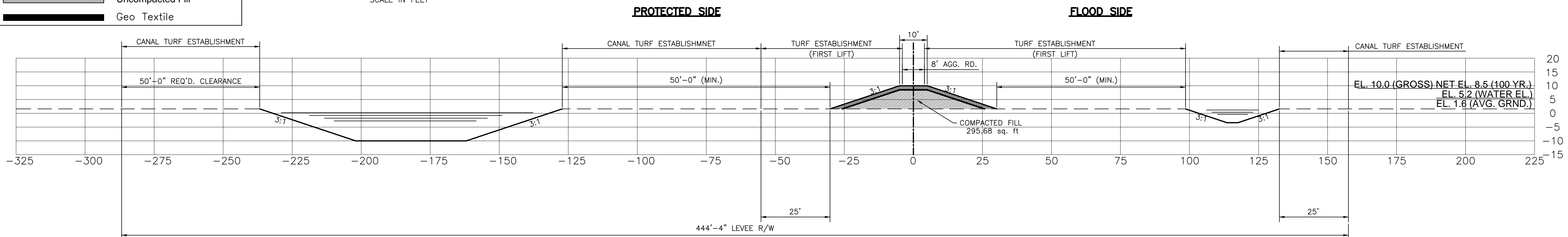
**Legend**

- Center Line of Levee
- Toe of Levee
- ▨ Compacted Fill (Overbuild)
- ▨ Compacted Fill
- ▨ Uncompacted Fill
- ▨ Geo Textile

**GENERAL NOTES:**

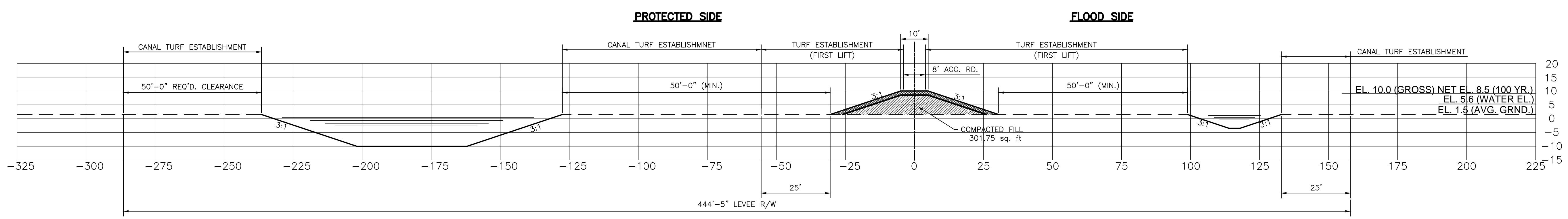
1. 3:1 SIDE SLOPES
2. 100% IMPORTED CLAY
3. CONVEYANCE CANAL DEPTH TO -10' NAVD88

SCALE IN FEET



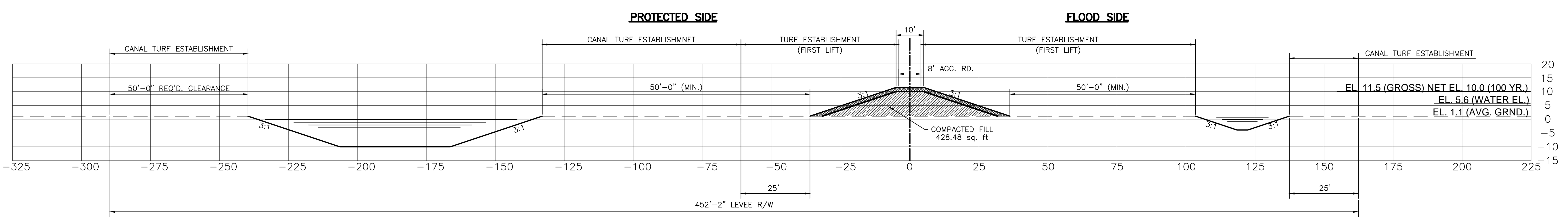
**Levee Section C-21 (Sta. 945+00.00 thru Sta. 967+91.21)**

**First Lift**  
Note: No Second Lift Required



**Levee Section C-20 (Sta. 905+00.00 thru Sta. 945+00.00)**

**First Lift**  
Note: No Second Lift Required

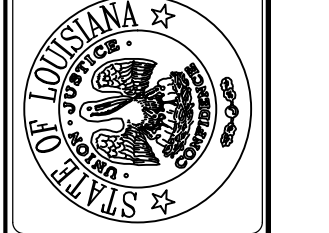
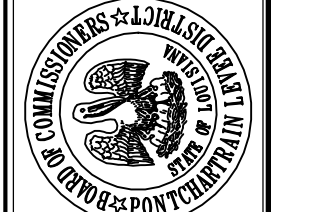


**Levee Section C-19 (Sta. 850+00.00 thru Sta. 905+00.00)**

**First Lift**  
Note: No Second Lift Required

XREF: NONE  
DATE:  
FILE NAME: X.DWG





DESIGNED	DEB/TNP
CHECKED	HMP
DETAILED	CAD
CHECKED	DEB/TNP
DATE	03/2014
SHEET	17 OF 45

NO.	DATE	REVISION DESCRIPTION	BY

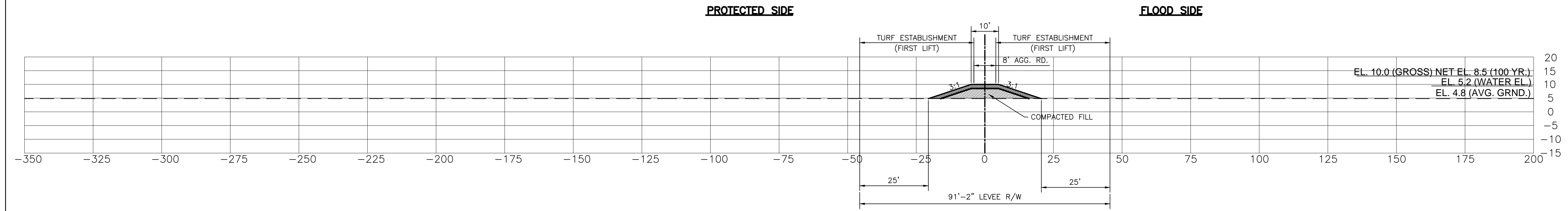
**Legend**

- Center Line of Levee
- Toe of Levee
- Compacted Fill (Overbuild)
- Compacted Fill
- Uncompacted Fill
- Geo Textile

**GENERAL NOTES:**

1. 3:1 SIDE SLOPES
2. 100% IMPORTED CLAY
3. CONVEYANCE CANAL DEPTH TO -10' NAVD88

SCALE IN FEET



**Levee Section C-22 (Sta. 967+91.21 thru Sta. 1063+87.55)**  
**First Lift**

Note: No Second Lift Required

XREF: NONE

DATE:

FILE NAME: X.DWG



**ALIGNMENT C3 – 2nd LIFT (Year 2020)**



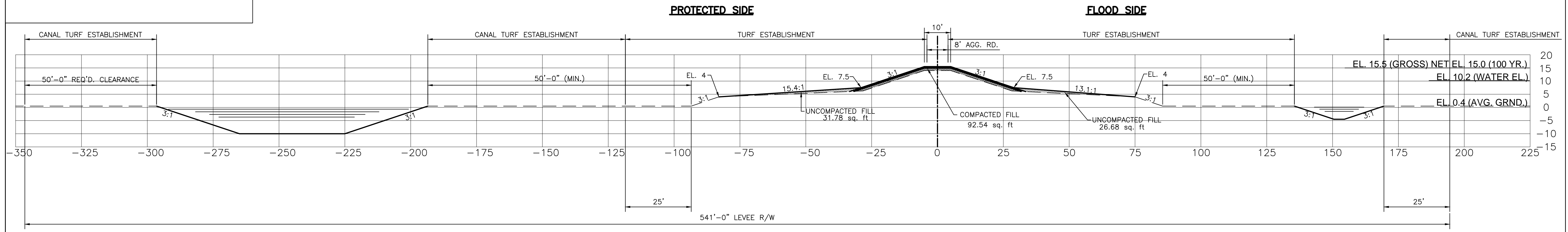
**Legend**

- Center Line of Levee
- Toe of Levee
- ▨ Compacted Fill (Overbuild)
- ▨ Compacted Fill
- ▨ Uncompacted Fill

**GENERAL NOTES:**

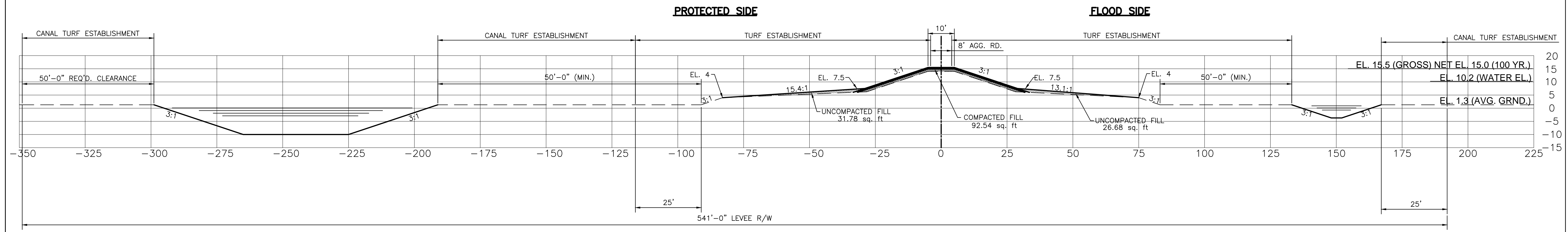
1. 3:1 SIDE SLOPES
2. 100% IMPORTED CLAY
3. CONVEYANCE CANAL DEPTH TO -10' NAVD88

SCALE IN FEET



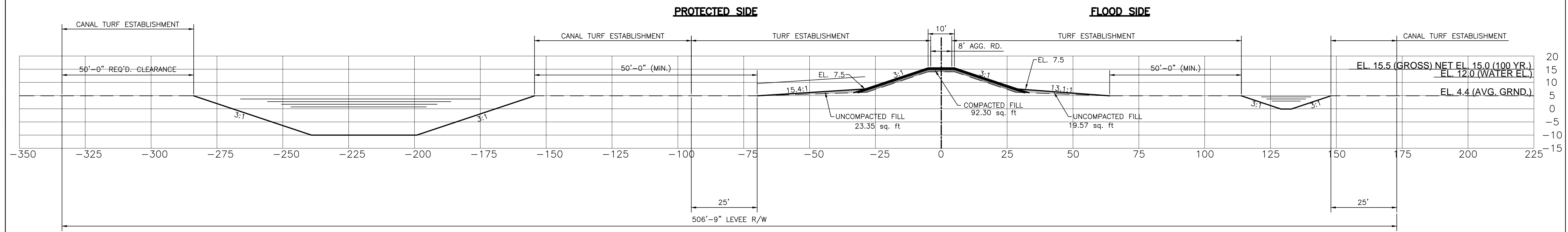
**Levee Section C-3 (Sta. 178+00.00 thru Sta. 228+33.14)**  
First Lift

Note: See Sht. C2.0 For First Lift Section



**Levee Section C-2 (Sta. 129+17.02 thru Sta. 178+00.00)**  
First Lift

Note: See Sht. C2.0 For First Lift Section



**Levee Section C-1 (Sta. 100+00 thru Sta. 129+17.02)**  
First Lift

Note: See Sht. C2.0 For First Lift Section

XREF: NONE  
DATE:  
FILE NAME: X.DWG



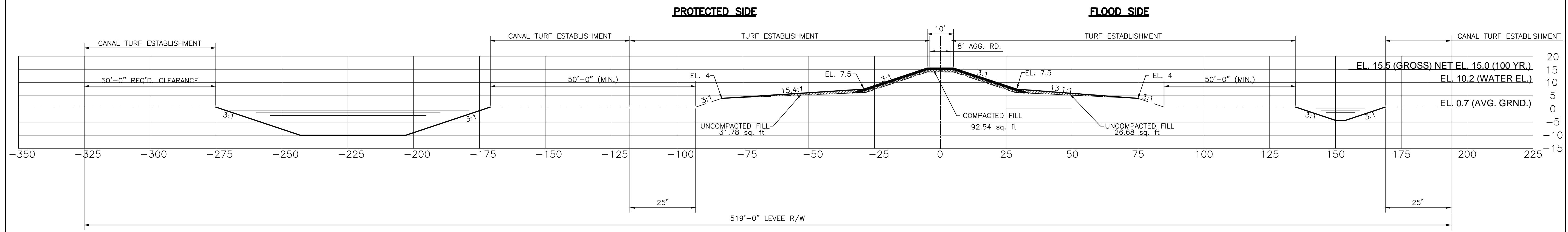
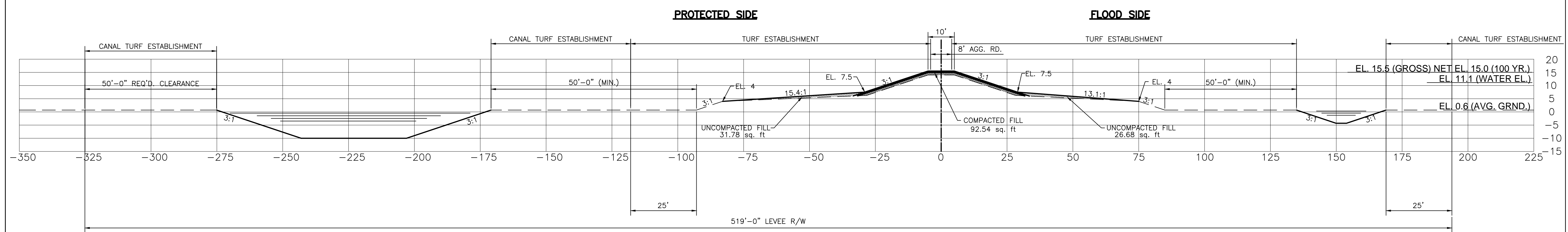
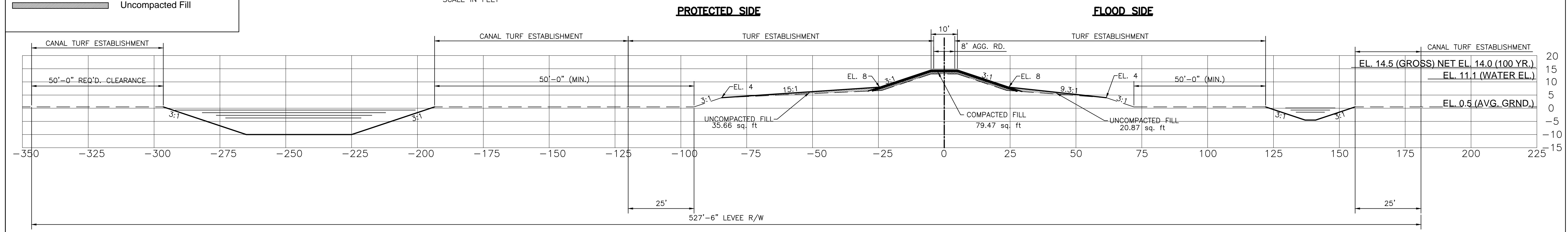
**Legend**

- Center Line of Levee
- Toe of Levee
- ▨ Compacted Fill (Overbuild)
- ▨ Compacted Fill
- ▨ Uncompacted Fill

**GENERAL NOTES:**

1. 3:1 SIDE SLOPES
2. 100% IMPORTED CLAY
3. CONVEYANCE CANAL DEPTH TO -10' NAVD88

SCALE IN FEET

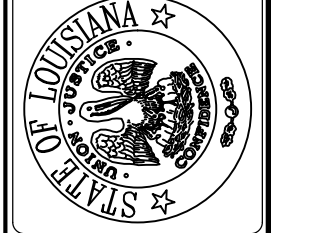
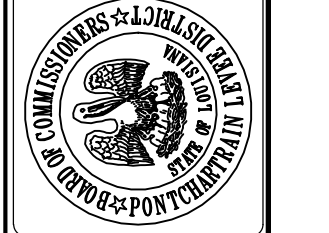


XREF: NONE

DATE:

FILE NAME: X.DWG





NO.	DATE	REVISION DESCRIPTION	BY

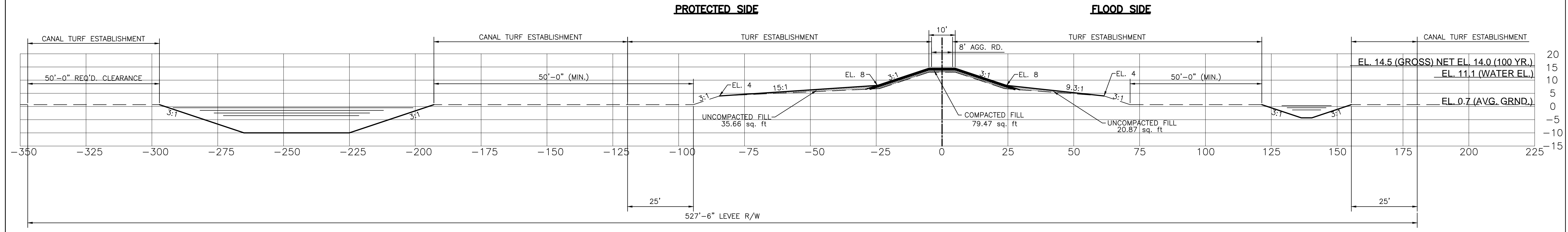
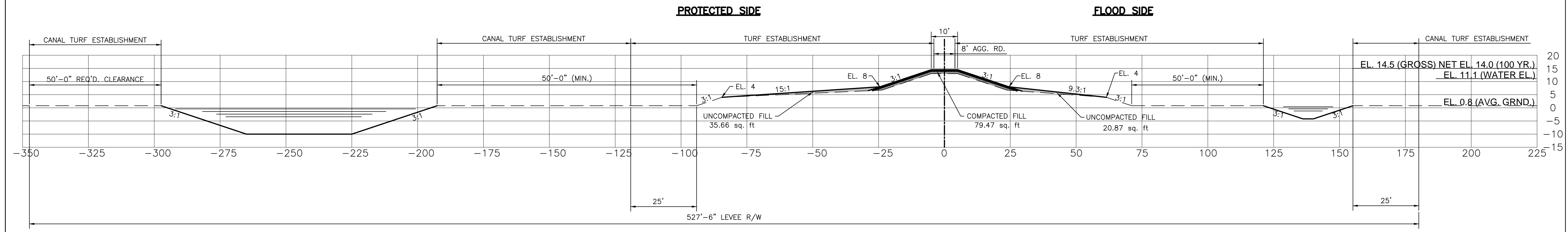
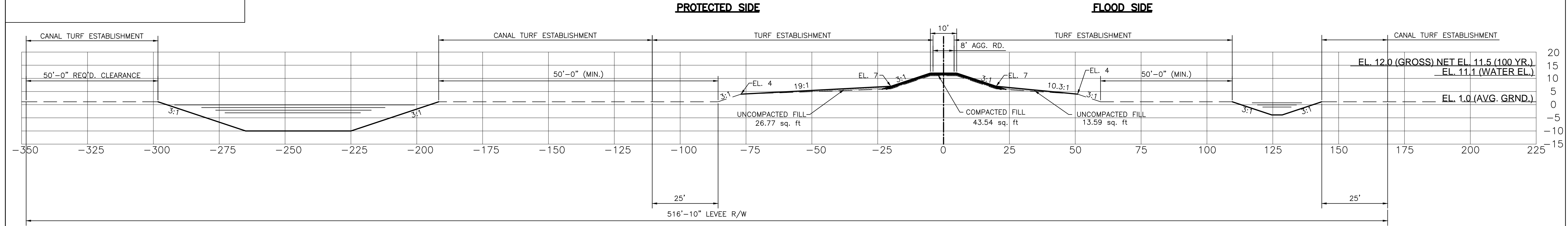
**Legend**

- Center Line of Levee
- Toe of Levee
- Compacted Fill (Overbuild)
- Compacted Fill
- Uncompacted Fill

**GENERAL NOTES:**

- 3:1 SIDE SLOPES
- 100% IMPORTED CLAY
- CONVEYANCE CANAL DEPTH TO -10' NAVD88

SCALE IN FEET



XREF: NONE

DATE:

FILE NAME: X.DWG





NO.	DATE	REVISION DESCRIPTION	BY

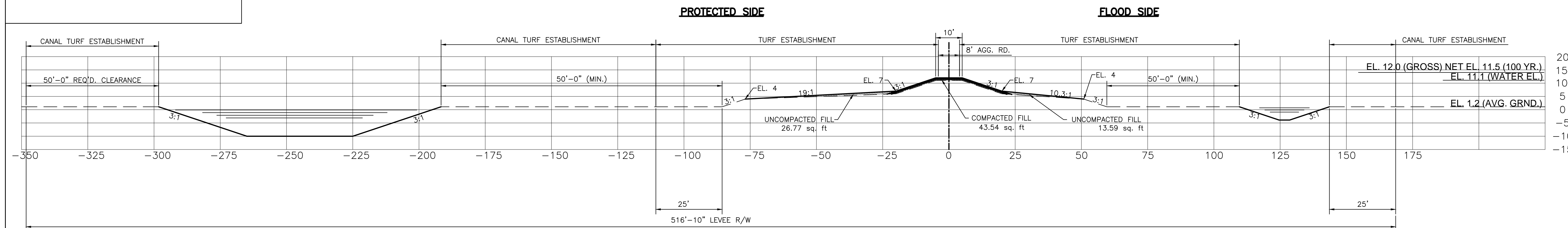
**Legend**

- Center Line of Levee
- Toe of Levee
- Compacted Fill (Overbuild)
- Compacted Fill
- Uncompacted Fill

**GENERAL NOTES:**

1. 3:1 SIDE SLOPES
2. 100% IMPORTED CLAY
3. CONVEYANCE CANAL DEPTH TO -10' NAVD88

SCALE IN FEET



**Levee Section C-10 (Sta. 507+96.35 thru Sta. 542+92.72)**  
First Lift

Note: See Sht. C2.3 For First Lift Section

XREF: NONE

DATE:

FILE NAME: X.DWG



## **ALIGNMENT C4 – 3rd LIFT (Year 2030)**





NO.	DATE	REVISION DESCRIPTION	BY

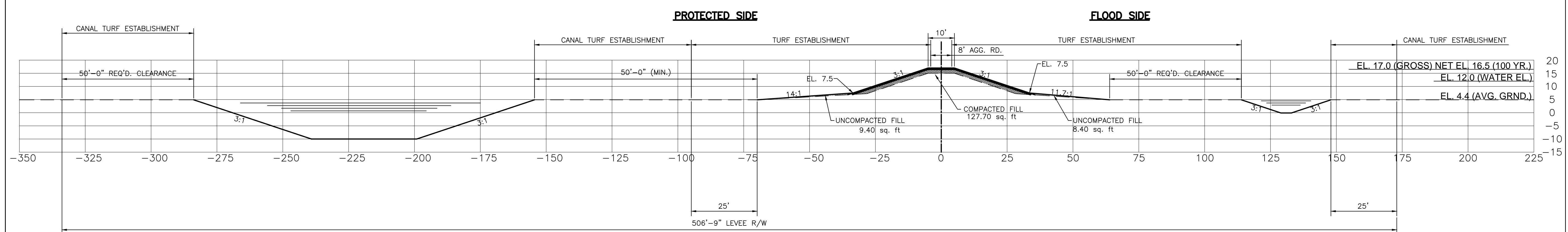
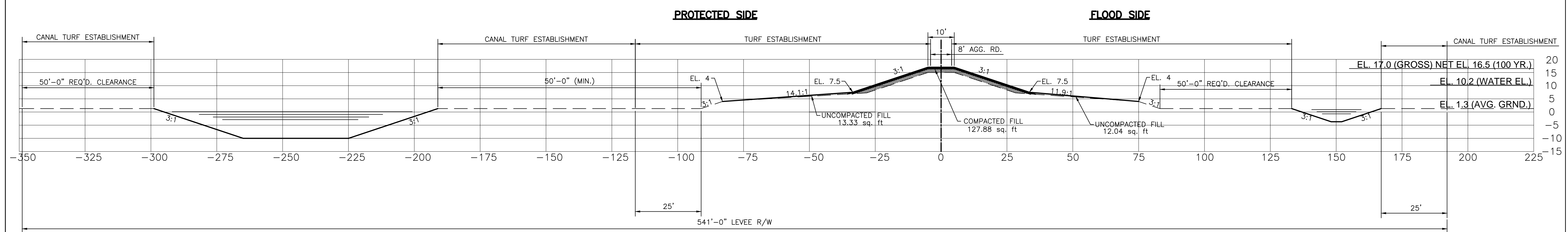
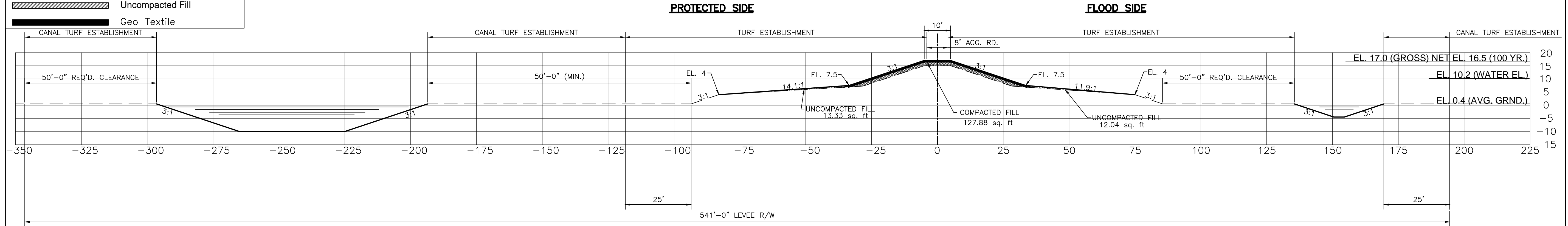
**Legend**

- Center Line of Levee
- Toe of Levee
- ▨ Compacted Fill (Overbuild)
- ▨ Compacted Fill
- ▨ Uncompacted Fill
- ▨ Geo Textile

**GENERAL NOTES:**

1. 3:1 SIDE SLOPES
2. 100% IMPORTED CLAY
3. CONVEYANCE CANAL DEPTH TO -10' NAVD88

SCALE IN FEET



XREF: NONE

DATE:

FILE NAME: X.DWG



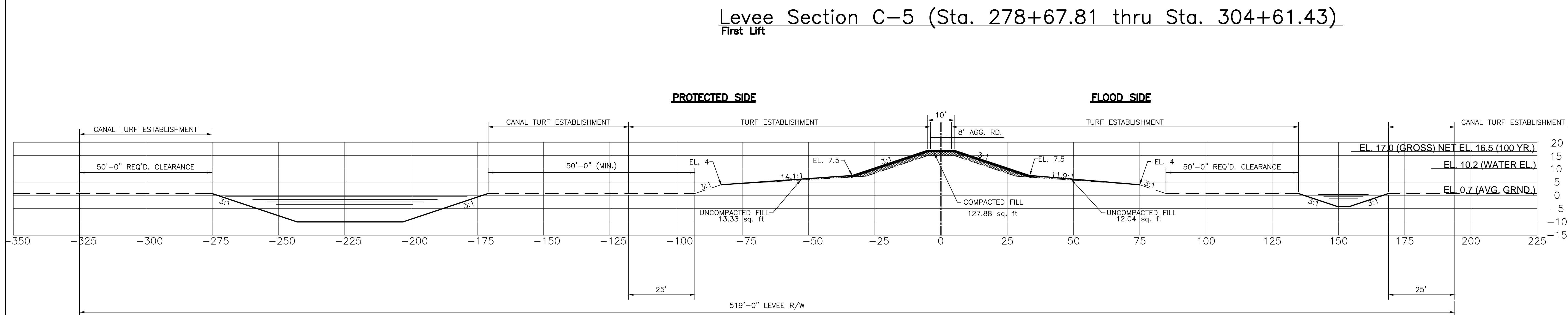
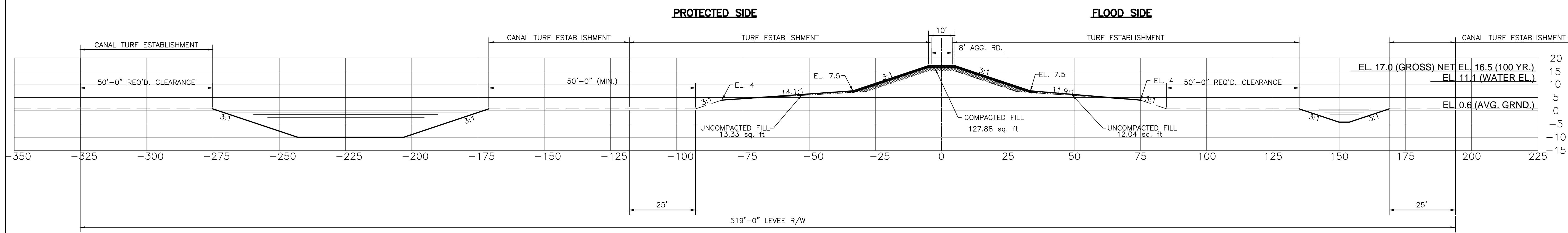
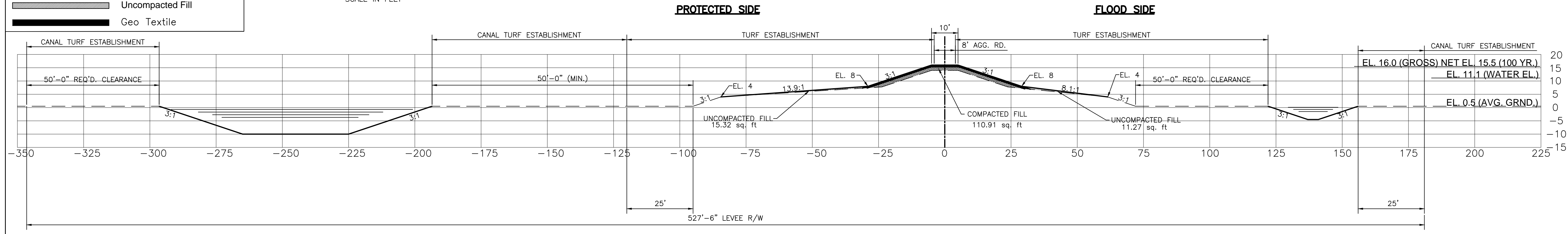
**Legend**

- Center Line of Levee
- Toe of Levee
- ▨ Compacted Fill (Overbuild)
- ▨ Compacted Fill
- ▨ Uncompacted Fill
- ▨ Geo Textile

**GENERAL NOTES:**

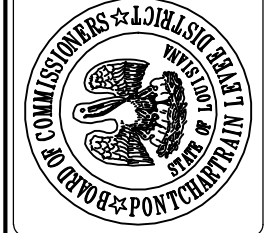
1. 3:1 SIDE SLOPES
2. 100% IMPORTED CLAY
3. CONVEYANCE CANAL DEPTH TO -10' NAVD88

SCALE IN FEET



XREF: NONE  
DATE:  
FILE NAME: X.DWG





NO.	DATE	REVISION DESCRIPTION	BY

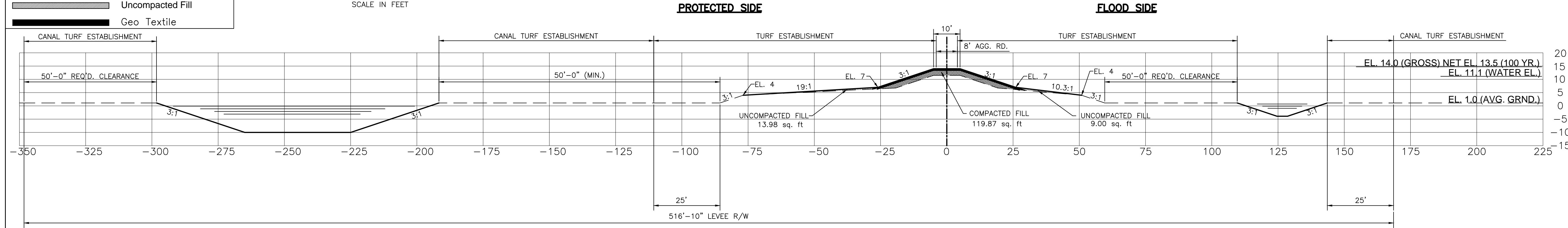
**Legend**

- Center Line of Levee
- Toe of Levee
- Compacted Fill (Overbuild)
- Compacted Fill
- Uncompacted Fill
- Geo Textile

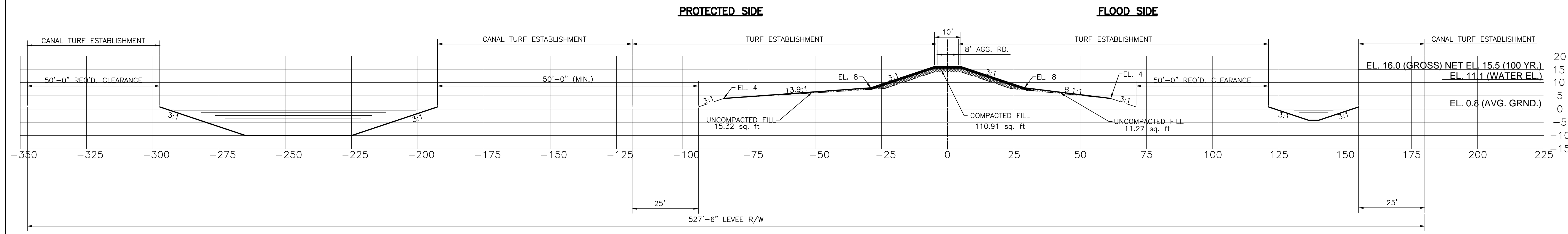
**GENERAL NOTES:**

- 3:1 SIDE SLOPES
- 100% IMPORTED CLAY
- CONVEYANCE CANAL DEPTH TO -10' NAVD88

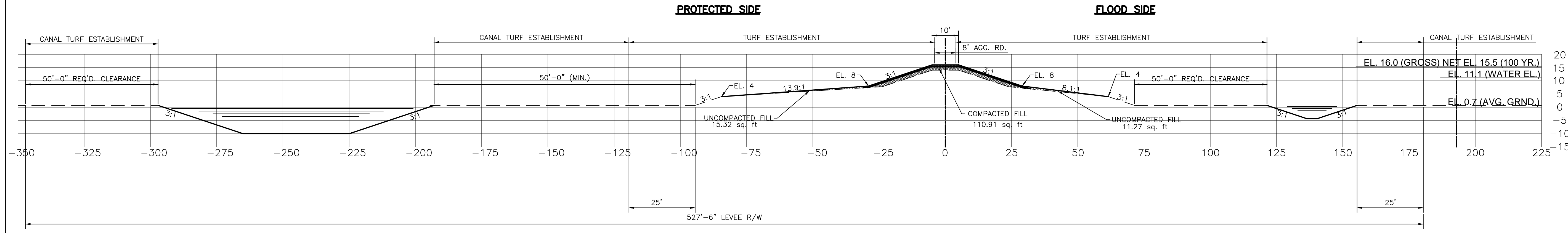
SCALE IN FEET



Levee Section C-9 (Sta. 473+00.00 thru Sta. 507+96.35)  
First Lift



Levee Section C-8 (Sta. 375+00.00 thru Sta. 473+00.00)  
First Lift



Levee Section C-7 (Sta. 354+14.27 thru Sta. 375+00.00)  
First Lift

XREF: NONE

DATE:

FILE NAME: X.DWG



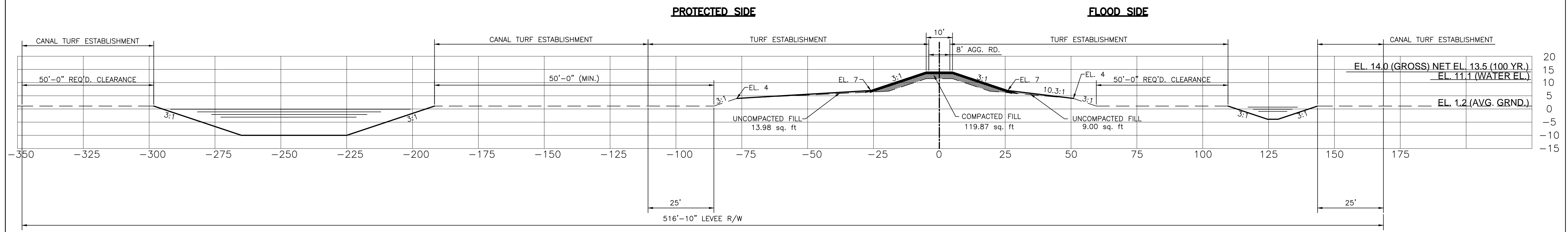
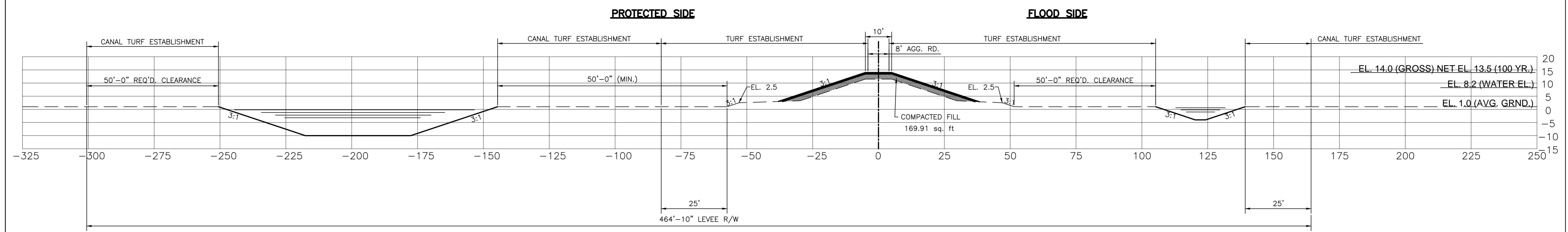
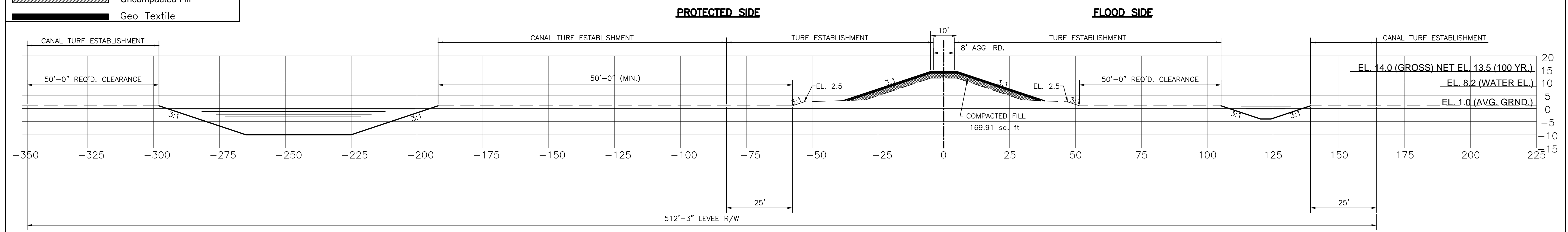
**Legend**

- Center Line of Levee
- Toe of Levee
- ▨ Compacted Fill (Overbuild)
- ▨ Compacted Fill
- ▨ Uncompacted Fill
- ▨ Geo Textile

**GENERAL NOTES:**

- 3:1 SIDE SLOPES
- 100% IMPORTED CLAY
- CONVEYANCE CANAL DEPTH TO -10' NAVD88

SCALE IN FEET



XREF: NONE

DATE:

FILE NAME: X.DWG





DESIGNED	DEB/TNP
CHECKED	HMP
DETAILED	CAD
CHECKED	DEB/TNP
DATE	03/2014
SHEET	26 OF 45

NO.	DATE	REVISION DESCRIPTION	BY

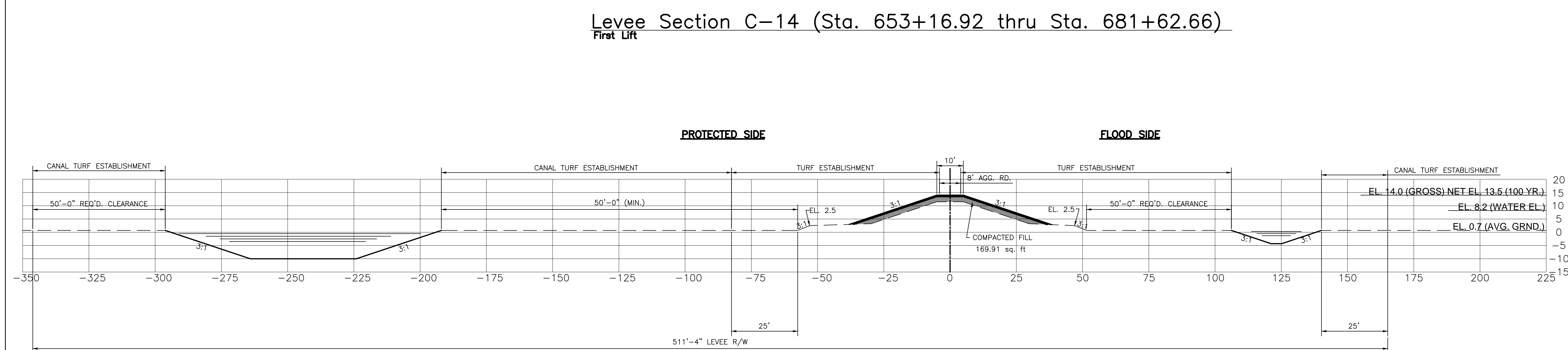
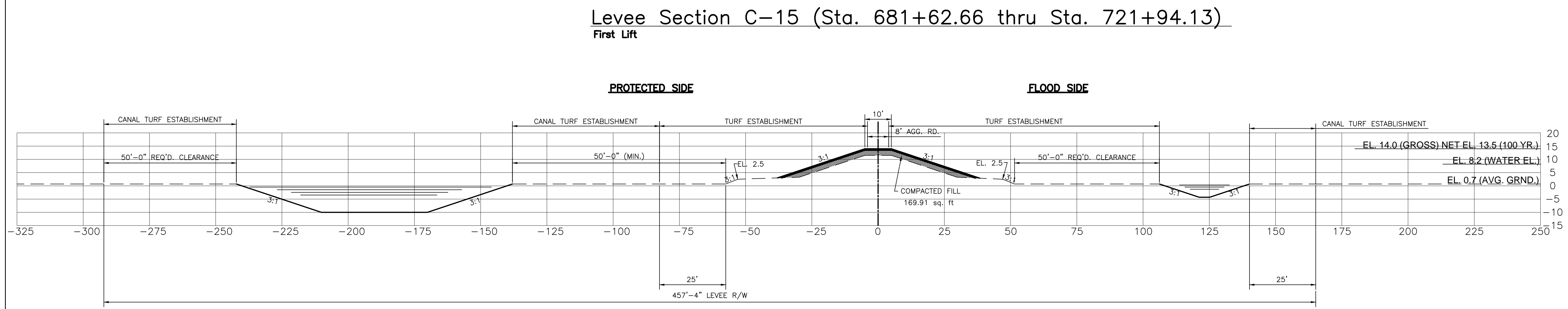
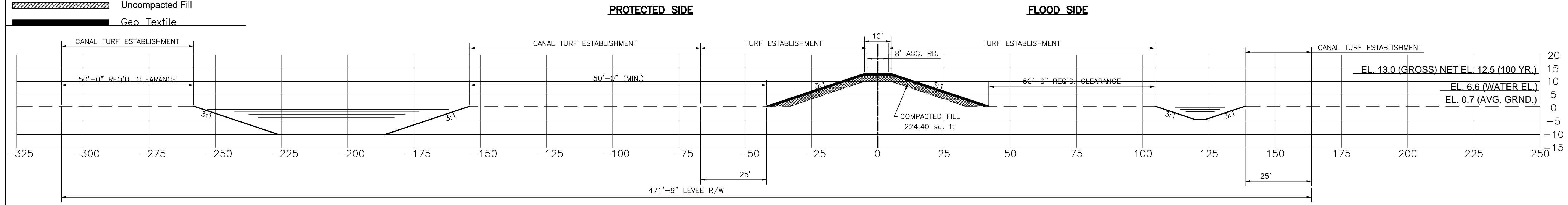
**Legend**

- Center Line of Levee
- Toe of Levee
- ▨ Compacted Fill (Overbuild)
- ▨ Compacted Fill
- ▨ Uncompacted Fill
- ▨ Geo Textile

**GENERAL NOTES:**

1. 3:1 SIDE SLOPES
2. 100% IMPORTED CLAY
3. CONVEYANCE CANAL DEPTH TO -10' NAVD88

SCALE IN FEET



XREF: NONE

DATE:

FILE NAME: X.DWG





DESIGNED	DEB/TNP
CHECKED	HMP
DETAILED	CAD
CHECKED	DEB/TNP
DATE	03/2014
SHEET	27 OF 45

NO.	DATE	REVISION DESCRIPTION	BY

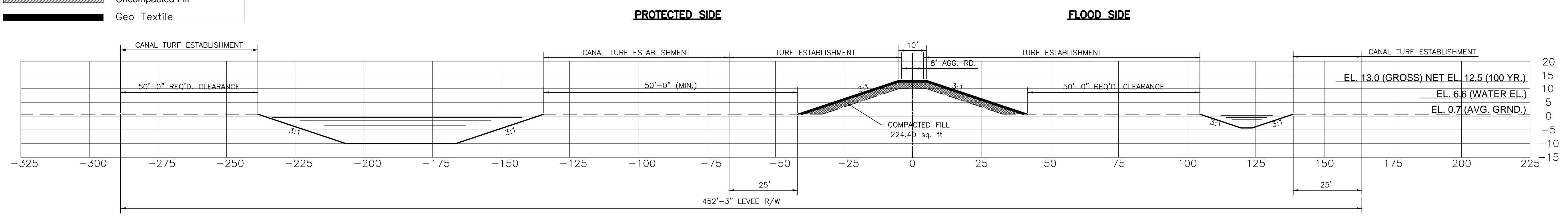
**Legend**

- Center Line of Levee
- Toe of Levee
- ▨ Compacted Fill (Overbuild)
- ▧ Compacted Fill
- ▩ Uncompacted Fill
- ▬ Geo Textile

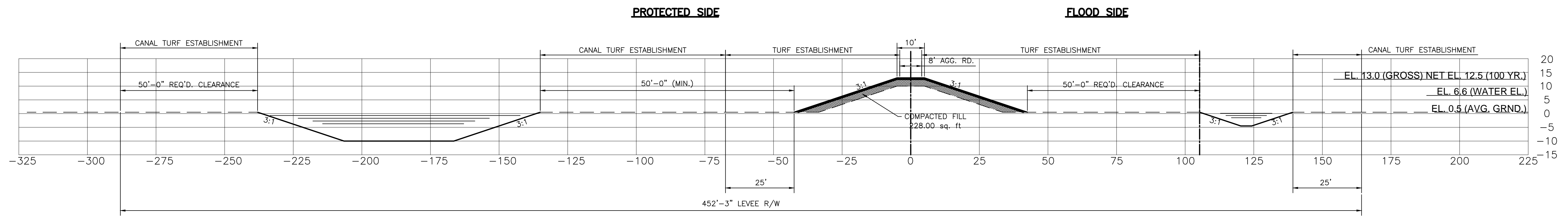
**GENERAL NOTES:**

- 3:1 SIDE SLOPES
- 100% IMPORTED CLAY
- CONVEYANCE CANAL DEPTH TO -10' NAVD88

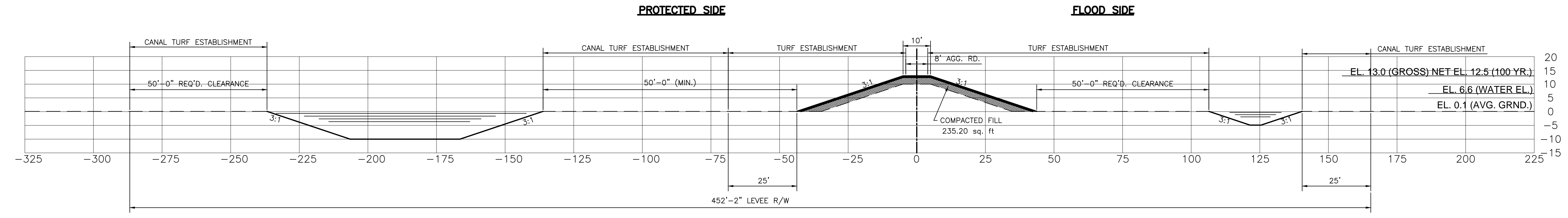
SCALE IN FEET



**Levee Section C-18 (Sta. 821+54.25 thru Sta. 850+00.00)**  
First Lift



**Levee Section C-17 (Sta. 740+91.43 thru Sta. 821+54.25)**  
First Lift



**Levee Section C-16 (Sta. 721+94.13 thru Sta. 740+91.31)**  
First Lift

XREF: NONE

DATE:

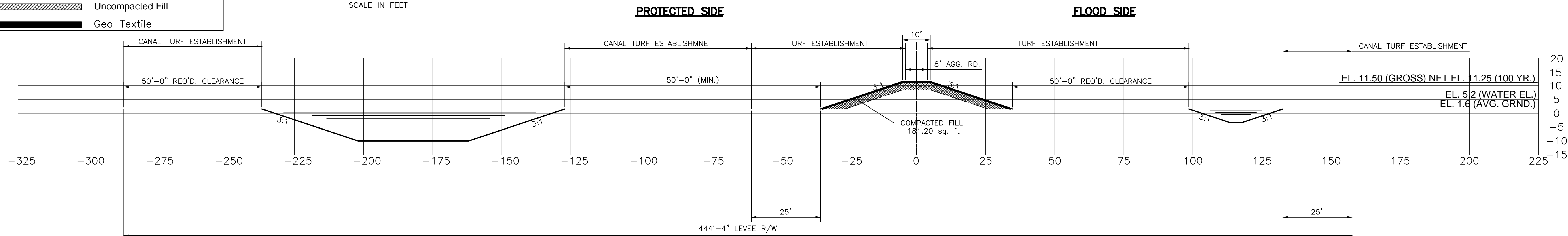
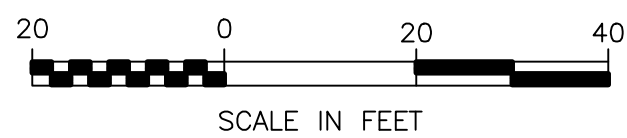
FILE NAME: X.DWG



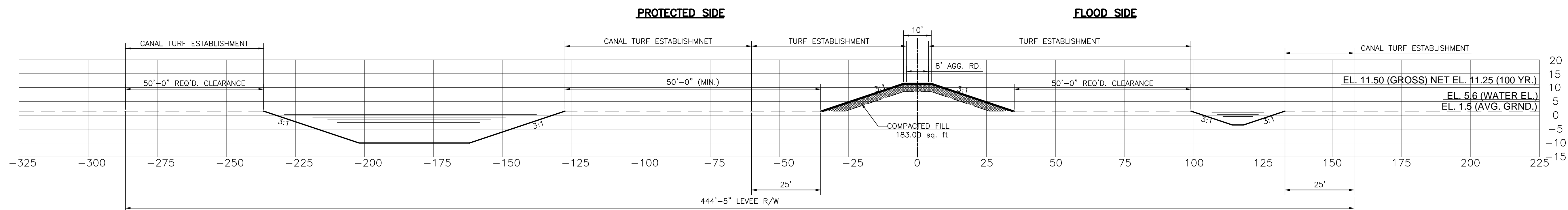
**Legend**

	Center Line of Levee
	Toe of Levee
	Compacted Fill (Overbuild)
	Compacted Fill
	Uncompacted Fill
	Geo Textile

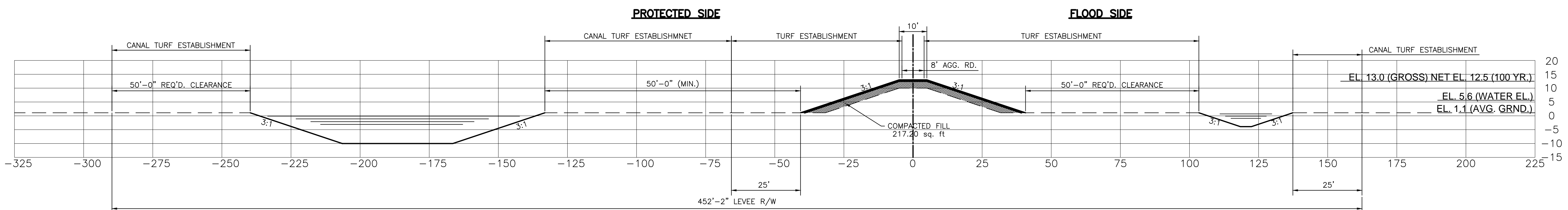
- GENERAL NOTES:**
- 3:1 SIDE SLOPES
  - 100% IMPORTED CLAY
  - CONVEYANCE CANAL DEPTH TO -10' NAVD88



**Levee Section C-21 (Sta. 945+00.00 thru Sta. 967+91.21)**  
First Lift



**Levee Section C-20 (Sta. 905+00.00 thru Sta. 945+00.00)**  
First Lift

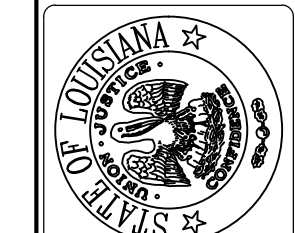


**Levee Section C-19 (Sta. 850+00.00 thru Sta. 905+00.00)**  
First Lift

XREF: NONE

DATE:

FILE NAME: X.DWG



DESIGNED	DEB/TNP
CHECKED	HMP
DETAILED	CAD
CHECKED	DEB/TNP
DATE	03/2014
SHEET	28 OF 45

NO.	DATE	REVISION DESCRIPTION	BY





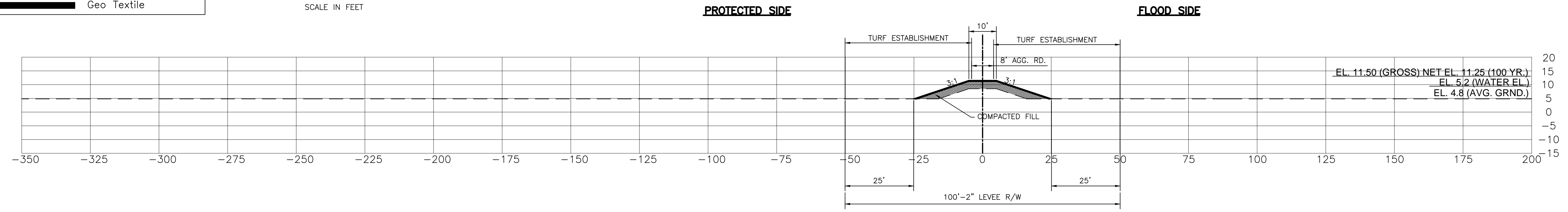
NO.	DATE	REVISION DESCRIPTION	BY

**Legend**

- Center Line of Levee
- Toe of Levee
- Compacted Fill (Overbuild)
- Compacted Fill
- Uncompacted Fill
- Geo Textile

**GENERAL NOTES:**  
 1. 3:1 SIDE SLOPES  
 2. 100% IMPORTED CLAY  
 3. CONVEYANCE CANAL DEPTH TO -10' NAVD88

SCALE IN FEET



**Levee Section C-22 (Sta. 967+91.21 thru Sta. 1063+87.55)**  
 First Lift

XREF: NONE

DATE:

FILE NAME: X.DWG



## **ALIGNMENT C5 – 4th LIFT (Year 2045)**



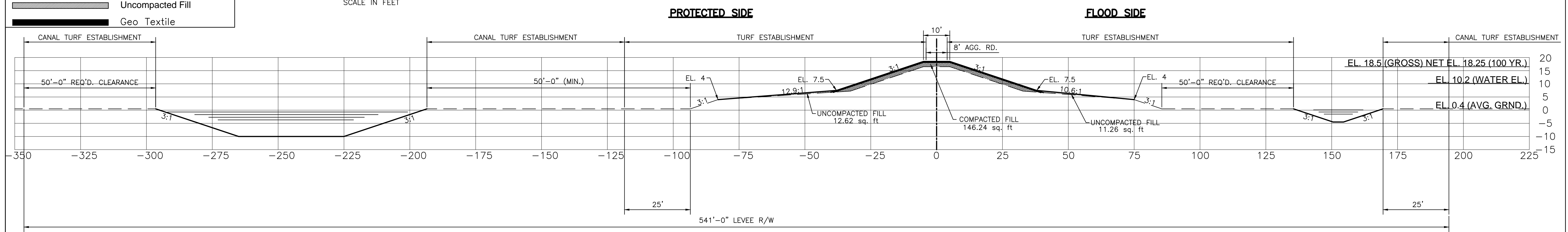
**Legend**

- Center Line of Levee
- Toe of Levee
- ▨ Compacted Fill (Overbuild)
- ▨ Compacted Fill
- ▨ Uncompacted Fill
- ▨ Geo Textile

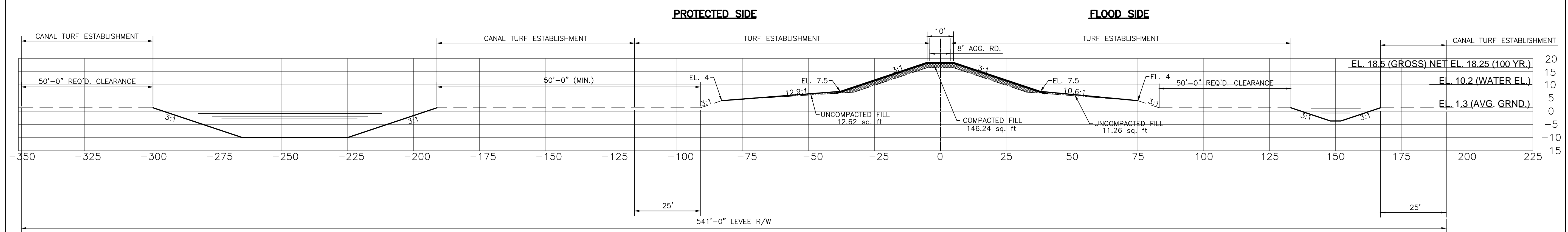
**GENERAL NOTES:**

- 3:1 SIDE SLOPES
- 100% IMPORTED CLAY
- CONVEYANCE CANAL DEPTH TO -10' NAVD88

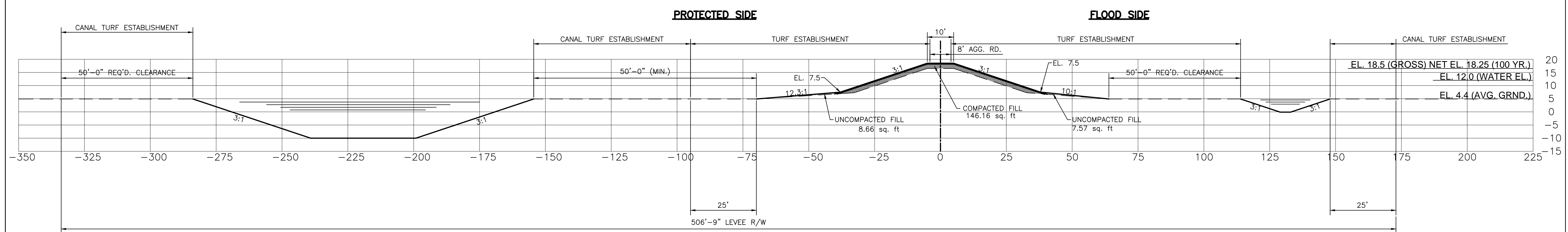
SCALE IN FEET



**Levee Section C-3 (Sta. 178+00.00 thru Sta. 228+33.14)**  
First Lift



**Levee Section C-2 (Sta. 129+17.02 thru Sta. 178+00.00)**  
First Lift



**Levee Section C-1 (Sta. 100+00 thru Sta. 129+17.02)**  
First Lift

XREF: NONE  
DATE:  
FILE NAME: X.DWG



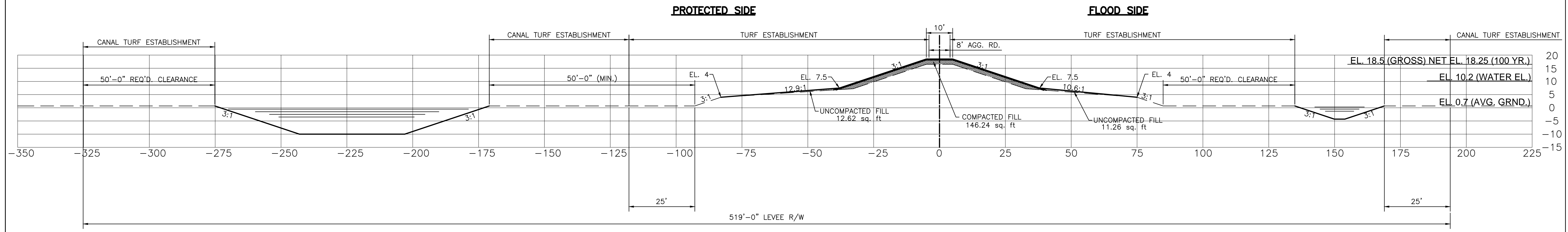
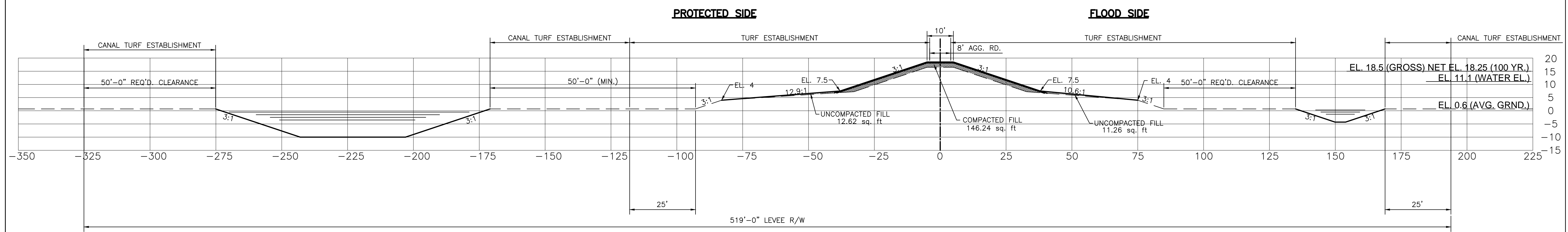
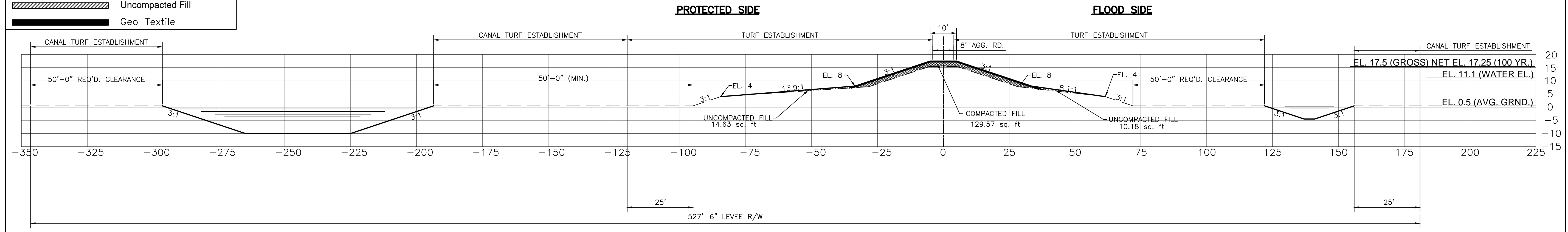
**Legend**

- Center Line of Levee
- Toe of Levee
- ▨ Compacted Fill (Overbuild)
- ▨ Compacted Fill
- ▨ Uncompacted Fill
- ▨ Geo Textile



**GENERAL NOTES:**

- 3:1 SIDE SLOPES
- 100% IMPORTED CLAY
- CONVEYANCE CANAL DEPTH TO -10' NAVD88



XREF: NONE  
DATE:  
FILE NAME: X.DWG

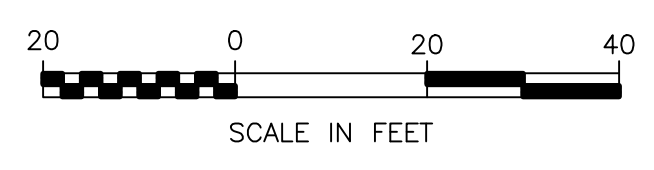




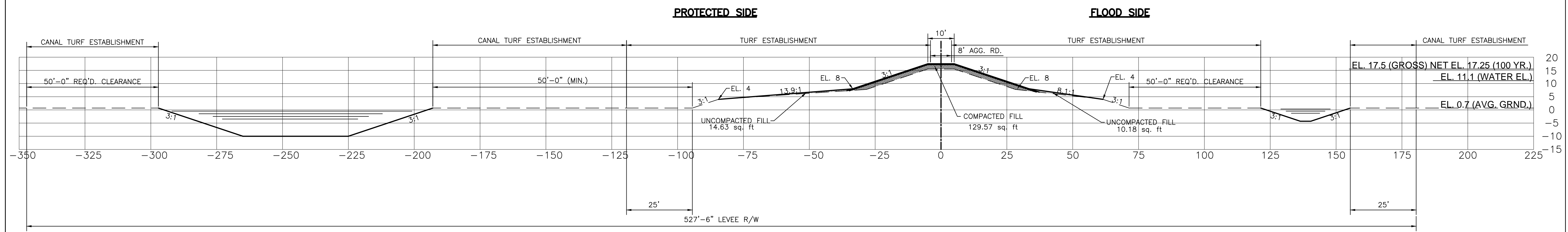
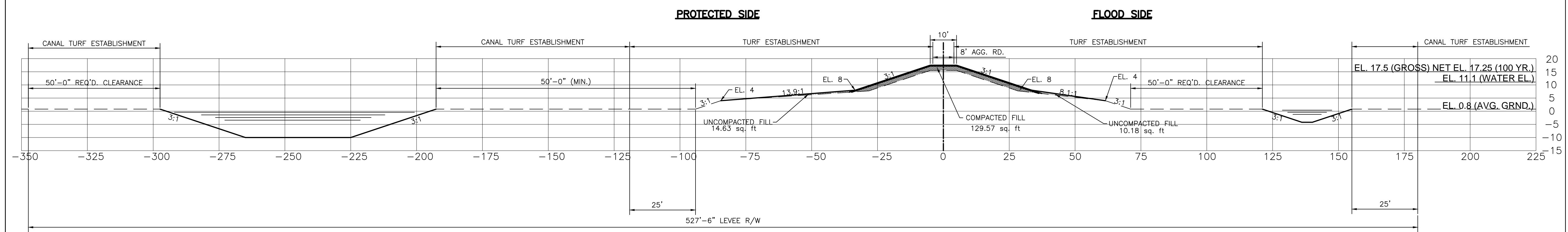
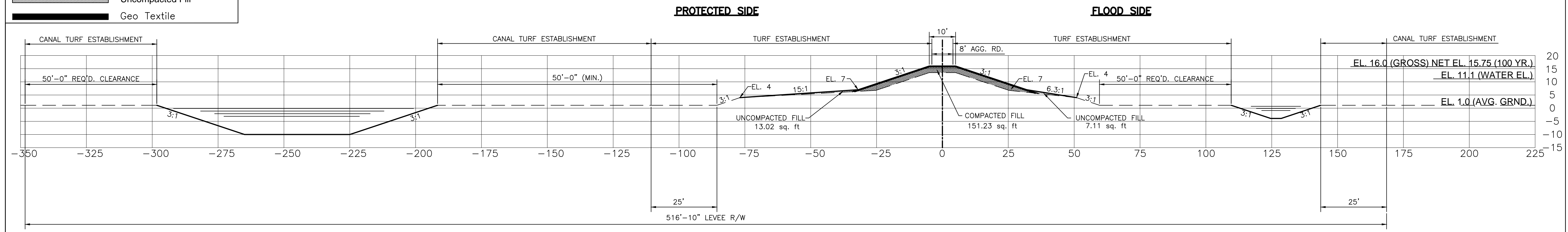
NO.	DATE	REVISION DESCRIPTION	BY

**Legend**

- Center Line of Levee
- Toe of Levee
- Compacted Fill (Overbuild)
- Compacted Fill
- Uncompacted Fill
- Geo Textile



**GENERAL NOTES:**  
 1. 3:1 SIDE SLOPES  
 2. 100% IMPORTED CLAY  
 3. CONVEYANCE CANAL DEPTH TO -10' NAVD88



XREF: NONE

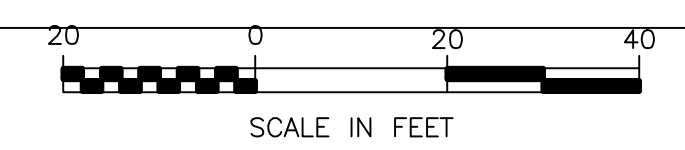
DATE:

FILE NAME: X.DWG



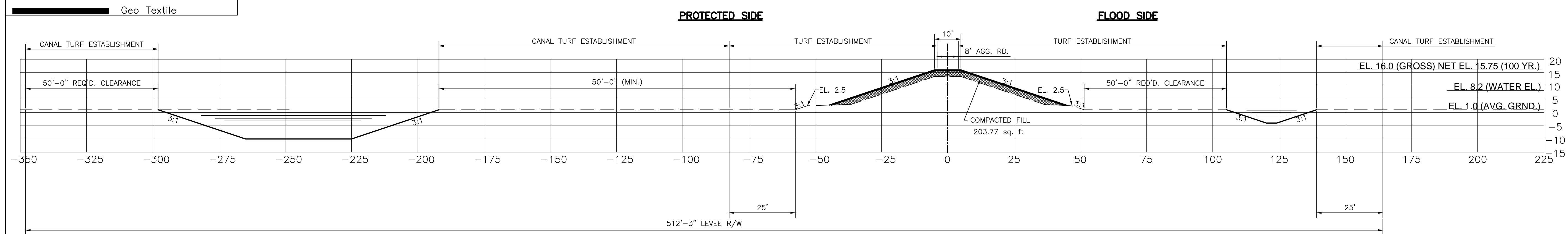
**Legend**

- Center Line of Levee
- Toe of Levee
- ▨ Compacted Fill (Overbuild)
- ▨ Compacted Fill
- ▨ Uncompacted Fill
- ▨ Geo Textile

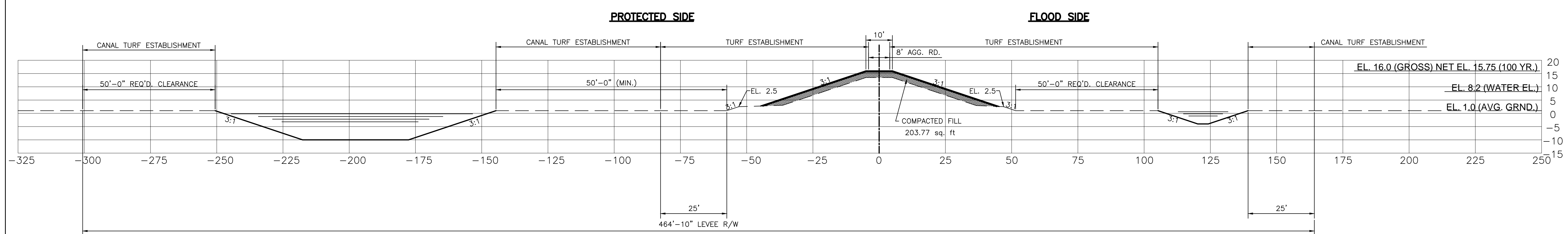


**GENERAL NOTES:**

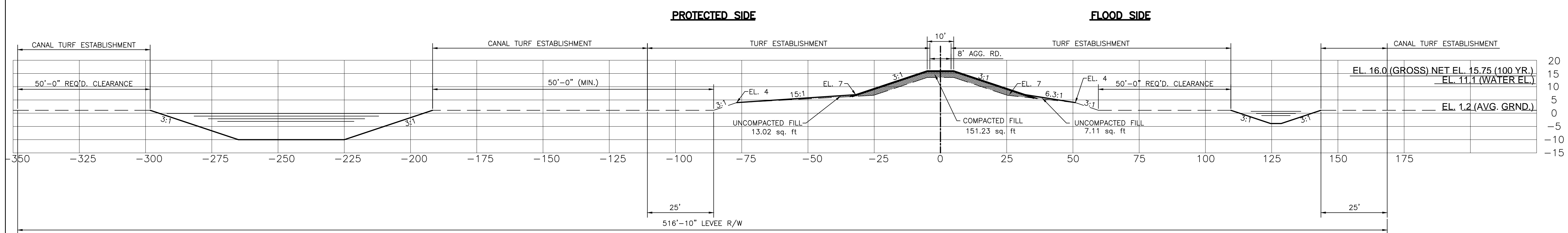
1. 3:1 SIDE SLOPES
2. 100% IMPORTED CLAY
3. CONVEYANCE CANAL DEPTH TO -10' NAVD88



**Levee Section C-12 (Sta. 577+89.09 thru Sta. 612+85.46)**  
First Lift



**Levee Section C-11 (Sta. 542+92.72 thru Sta. 577+89.09)**  
First Lift



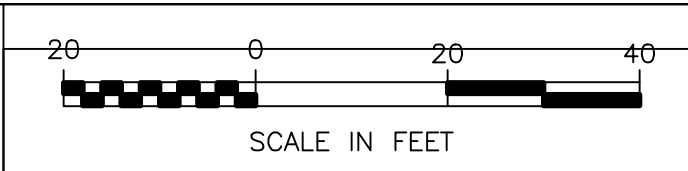
**Levee Section C-10 (Sta. 507+96.35 thru Sta. 542+92.72)**  
First Lift

XREF: NONE  
DATE:  
FILE NAME: X.DWG



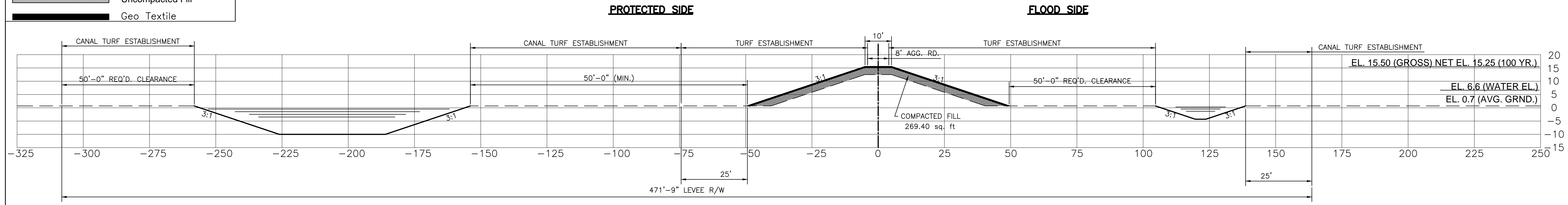
**Legend**

- Center Line of Levee
- Toe of Levee
- ▨ Compacted Fill (Overbuild)
- ▨ Compacted Fill
- ▨ Uncompacted Fill
- ▨ Geo Textile

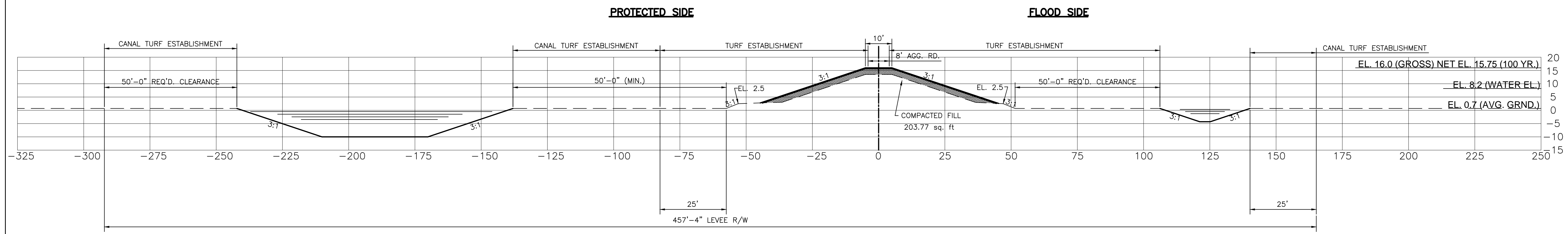


**GENERAL NOTES:**

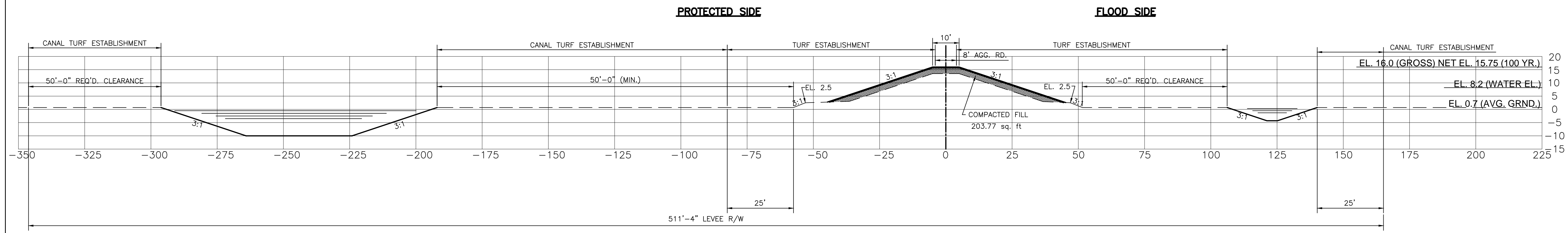
- 3:1 SIDE SLOPES
- 100% IMPORTED CLAY
- CONVEYANCE CANAL DEPTH TO -10' NAVD88



**Levee Section C-15 (Sta. 681+62.66 thru Sta. 721+94.13)**  
First Lift



**Levee Section C-14 (Sta. 653+16.92 thru Sta. 681+62.66)**  
First Lift



**Levee Section C-13 (Sta. 612+85.46 thru Sta. 653+16.92)**  
First Lift

XREF: NONE

DATE:

FILE NAME: X.DWG





DESIGNED	DEB/TNP
CHECKED	HMP
DETAILED	CAD
CHECKED	DEB/TNP
DATE	03/2014
SHEET	35 OF 45

NO.	DATE	REVISION DESCRIPTION	BY

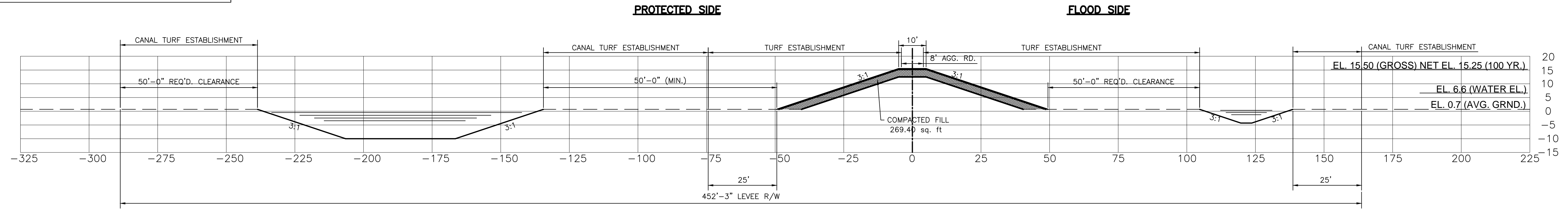
**Legend**

- Center Line of Levee
- Toe of Levee
- ▨ Compacted Fill (Overbuild)
- ▨ Compacted Fill
- ▨ Uncompacted Fill
- ▨ Geo Textile

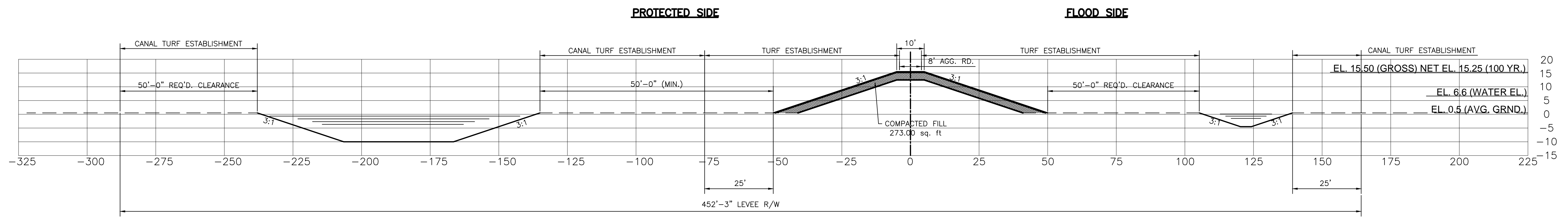
**GENERAL NOTES:**

- 3:1 SIDE SLOPES
- 100% IMPORTED CLAY
- CONVEYANCE CANAL DEPTH TO -10' NAVD88

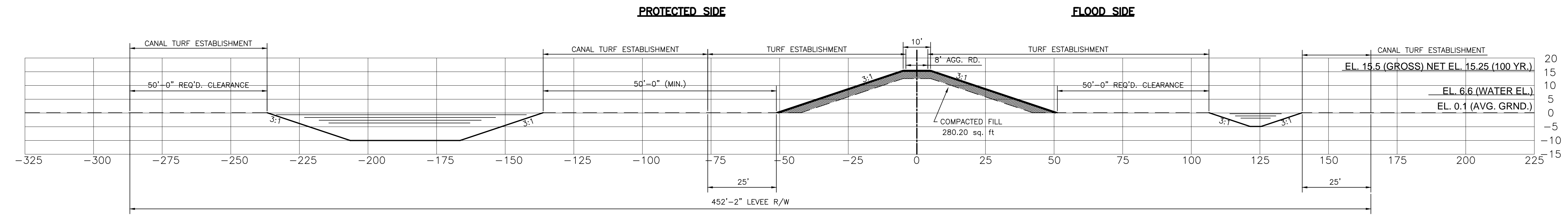
SCALE IN FEET



**Levee Section C-18 (Sta. 821+54.25 thru Sta. 850+00.00)**  
First Lift



**Levee Section C-17 (Sta. 740+91.43 thru Sta. 821+54.25)**  
First Lift



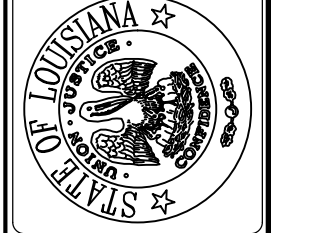
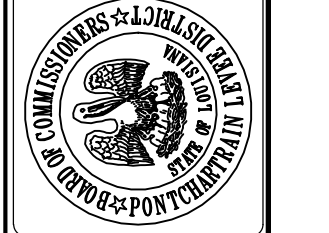
**Levee Section C-16 (Sta. 721+94.13 thru Sta. 740+91.31)**  
First Lift

XREF: NONE

DATE:

FILE NAME: X.DWG





DESIGNED	DEB/TNP	DATE	03/2014
CHECKED	HMP	SHEET	36 OF 45
DETAILED	CAD		
CHECKED	DEB/TNP		

NO.	DATE	REVISION DESCRIPTION	BY

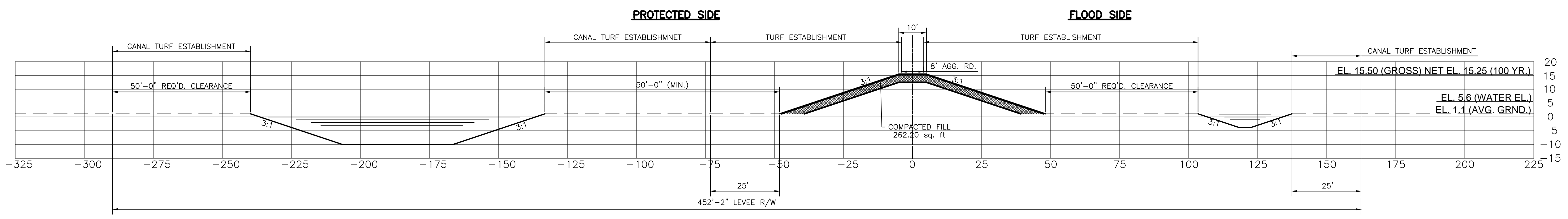
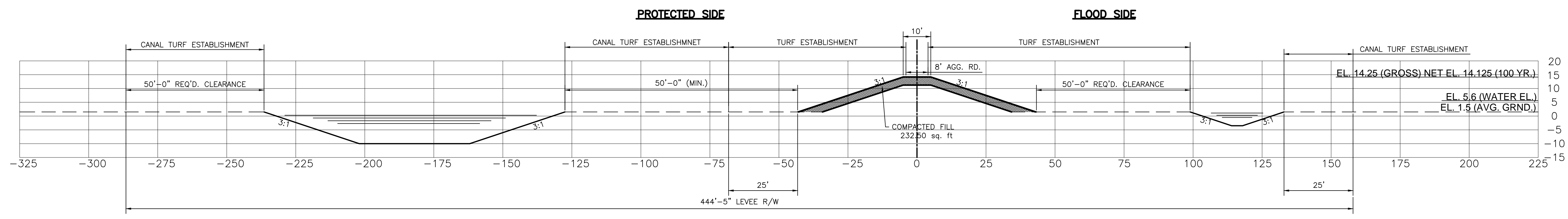
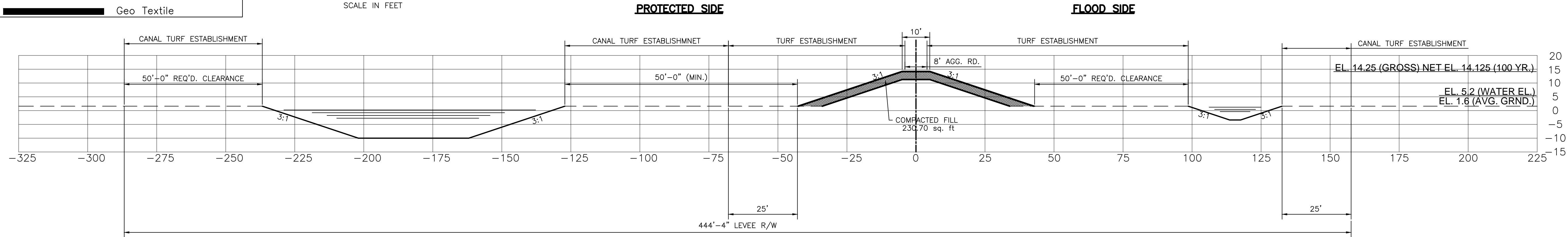
**Legend**

- Center Line of Levee
- Toe of Levee
- Compacted Fill (Overbuild)
- Compacted Fill
- Uncompacted Fill
- Geo Textile

**GENERAL NOTES:**

1. 3:1 SIDE SLOPES
2. 100% IMPORTED CLAY
3. CONVEYANCE CANAL DEPTH TO -10' NAVD88

SCALE IN FEET



XREF: NONE

DATE:

FILE NAME: X.DWG





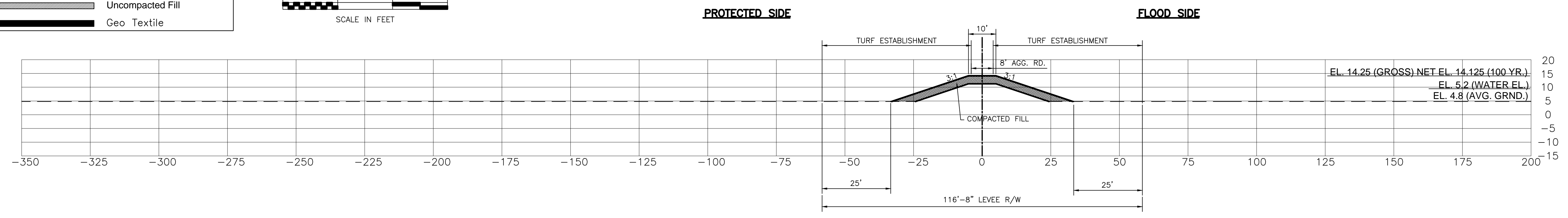
NO.	DATE	REVISION DESCRIPTION	BY

**Legend**

- Center Line of Levee
- Toe of Levee
- Compacted Fill (Overbuild)
- Compacted Fill
- Uncompacted Fill
- Geo Textile

**GENERAL NOTES:**  
 1. 3:1 SIDE SLOPES  
 2. 100% IMPORTED CLAY  
 3. CONVEYANCE CANAL DEPTH TO -10' NAVD88

20 0 20 40  
 SCALE IN FEET



Levee Section C-22 (Sta. 967+91.21 thru Sta. 1063+87.55)  
 First Lift

XREF: NONE

DATE:

FILE NAME: X.DWG



## **ALIGNMENT C6 – 5th LIFT (Year 2060)**



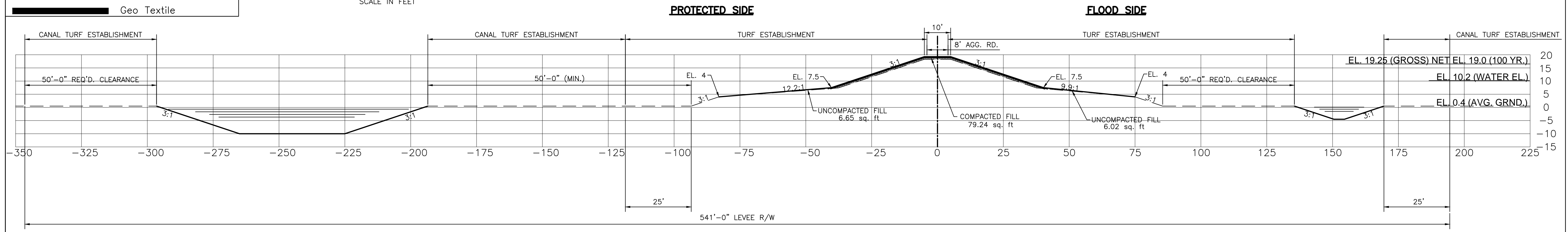
**Legend**

- Center Line of Levee
- Toe of Levee
- ▨ Compacted Fill (Overbuild)
- ▨ Compacted Fill
- ▨ Uncompacted Fill
- ▨ Geo Textile

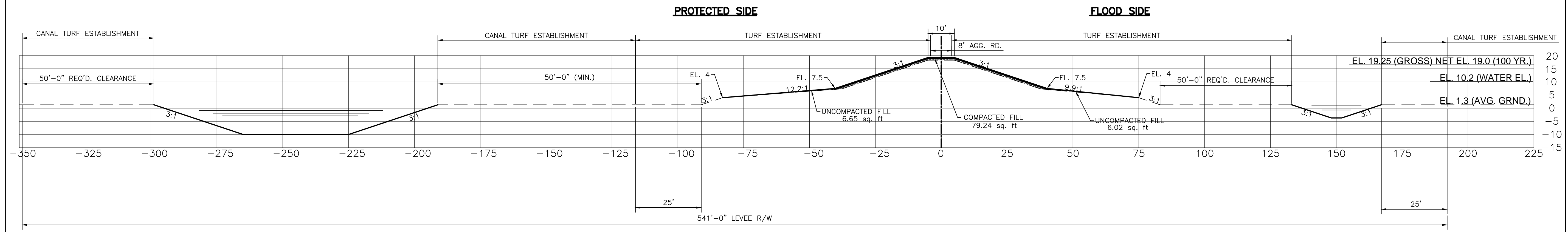
**GENERAL NOTES:**

1. 3:1 SIDE SLOPES
2. 100% IMPORTED CLAY
3. CONVEYANCE CANAL DEPTH TO -10' NAVD88

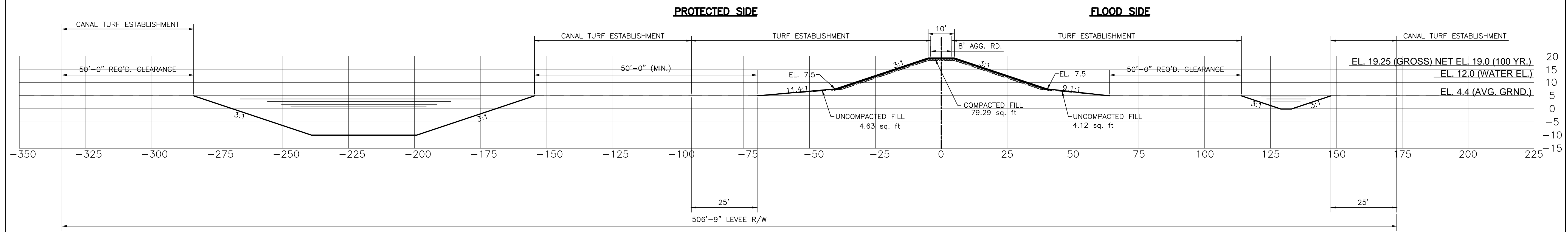
SCALE IN FEET



**Levee Section C-3 (Sta. 178+00.00 thru Sta. 228+33.14)**  
First Lift



**Levee Section C-2 (Sta. 129+17.02 thru Sta. 178+00.00)**  
First Lift



**Levee Section C-1 (Sta. 100+00 thru Sta. 129+17.02)**  
First Lift

XREF: NONE  
DATE:  
FILE NAME: X.DWG

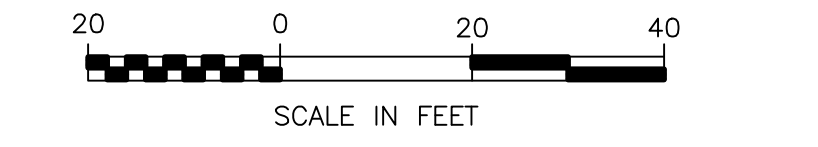


**Legend**

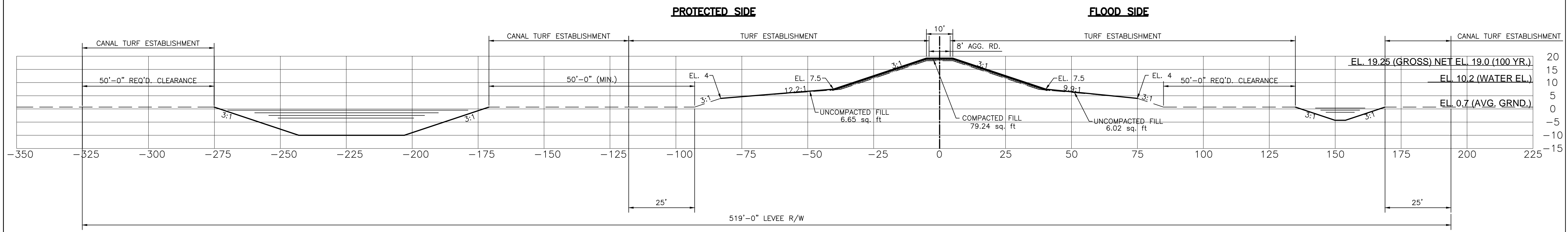
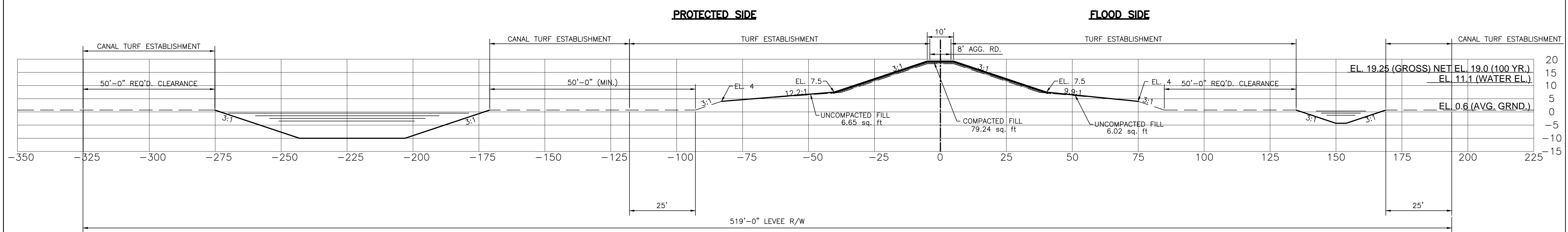
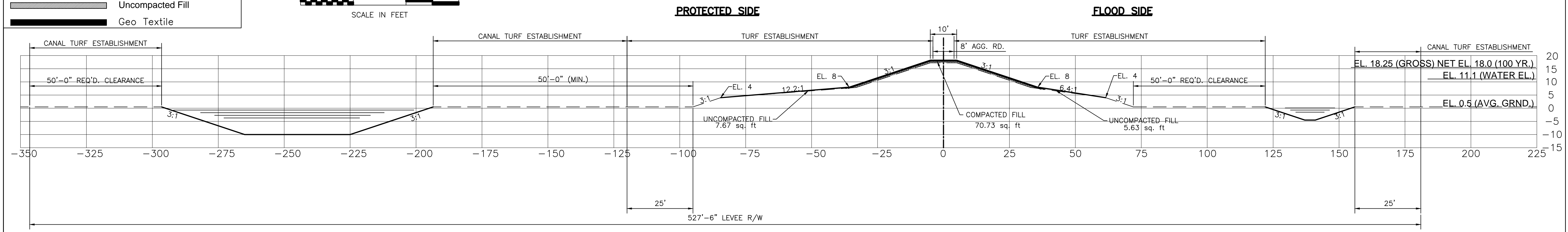
- Center Line of Levee
- Toe of Levee
- Compacted Fill (Overbuild)
- Compacted Fill
- Uncompacted Fill
- Geo Textile

**GENERAL NOTES:**

- 3:1 SIDE SLOPES
- 100% IMPORTED CLAY
- CONVEYANCE CANAL DEPTH TO -10' NAVD88



SCALE IN FEET

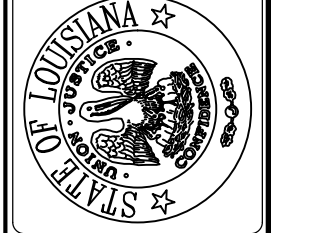
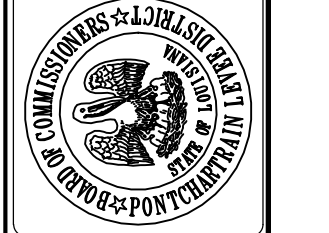


XREF: NONE

DATE:

FILE NAME: X.DWG





NO.	DATE	REVISION DESCRIPTION	BY

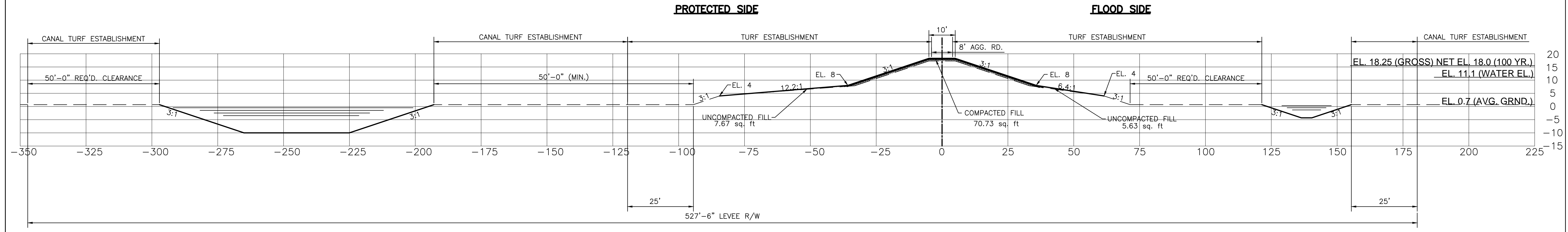
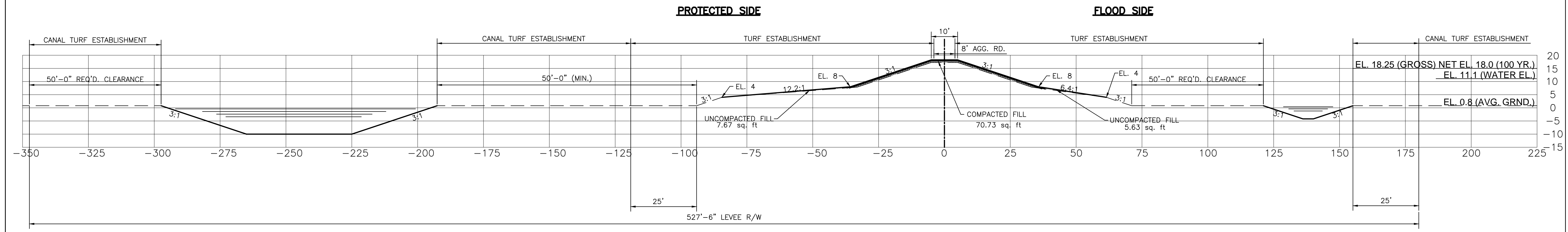
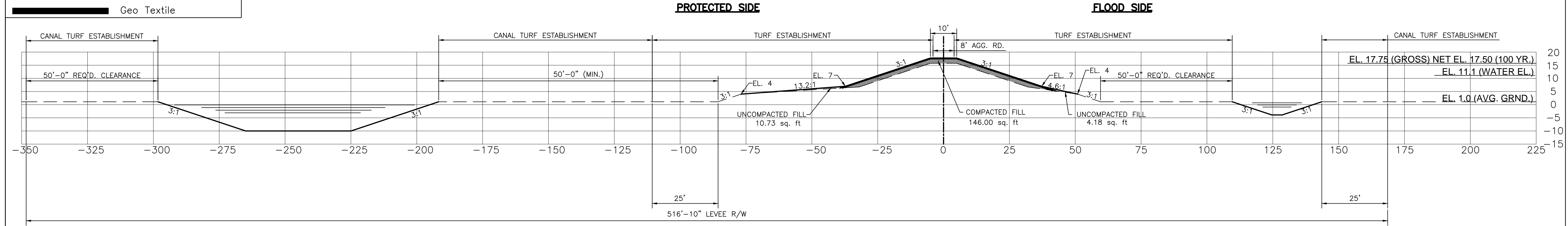
**Legend**

- Center Line of Levee
- Toe of Levee
- Compacted Fill (Overbuild)
- Compacted Fill
- Uncompacted Fill
- Geo Textile

**GENERAL NOTES:**

1. 3:1 SIDE SLOPES
2. 100% IMPORTED CLAY
3. CONVEYANCE CANAL DEPTH TO -10' NAVD88

SCALE IN FEET

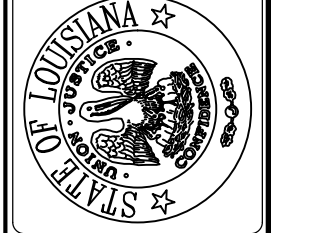
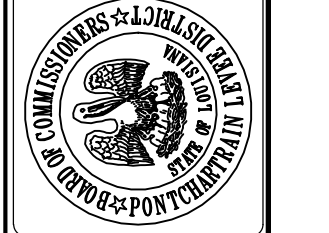


XREF: NONE

DATE:

FILE NAME: X.DWG





DESIGNED	DEB/TNP	DATE	03/2014
CHECKED	HMP	SHEET	41 OF 45
DETAILED	CAD		
CHECKED	DEB/TNP		

NO.	DATE	REVISION DESCRIPTION	BY

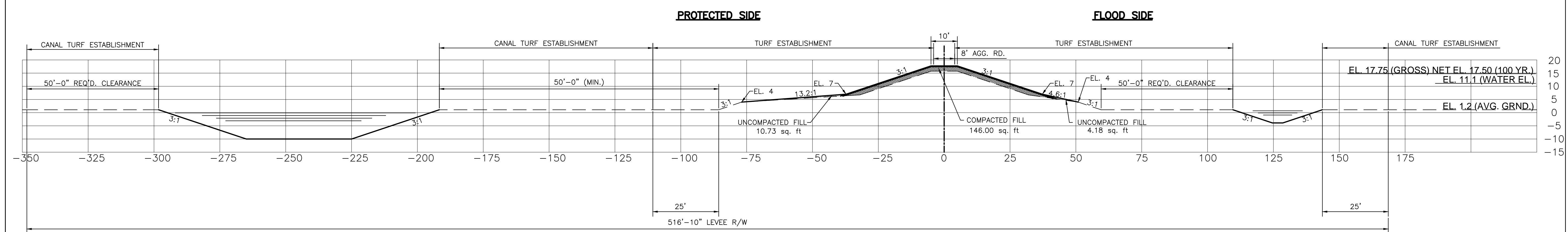
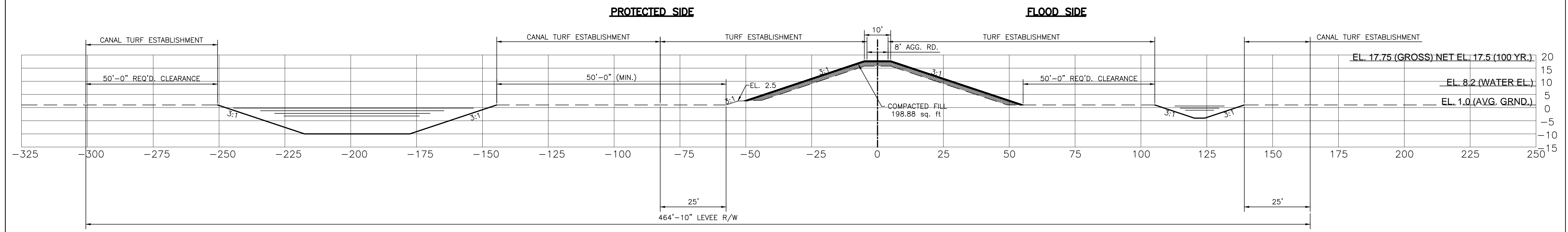
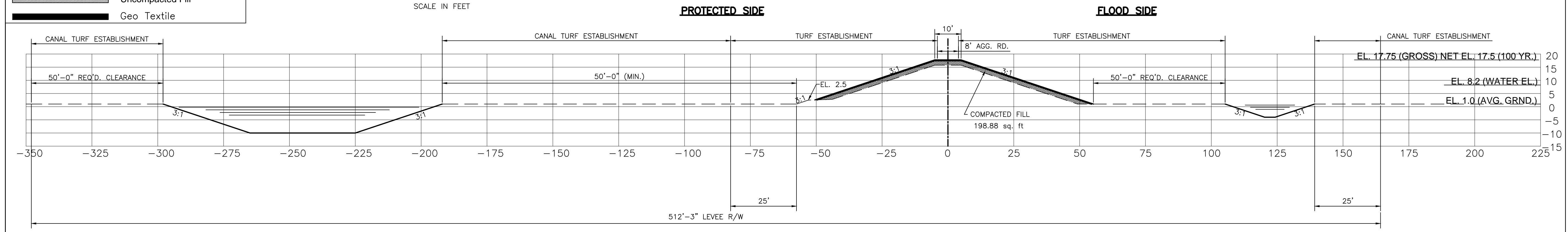
**Legend**

- Center Line of Levee
- Toe of Levee
- Compacted Fill (Overbuild)
- Compacted Fill
- Uncompacted Fill
- Geo Textile

**GENERAL NOTES:**

- 3:1 SIDE SLOPES
- 100% IMPORTED CLAY
- CONVEYANCE CANAL DEPTH TO -10' NAVD88

SCALE IN FEET



XREF: NONE

DATE:

FILE NAME: X.DWG



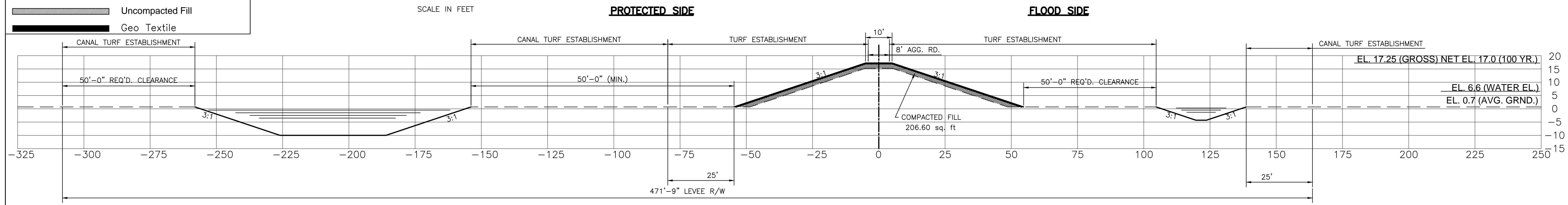
**Legend**

- Center Line of Levee
- Toe of Levee
- ▨ Compacted Fill (Overbuild)
- ▨ Compacted Fill
- ▨ Uncompacted Fill
- ▨ Geo Textile

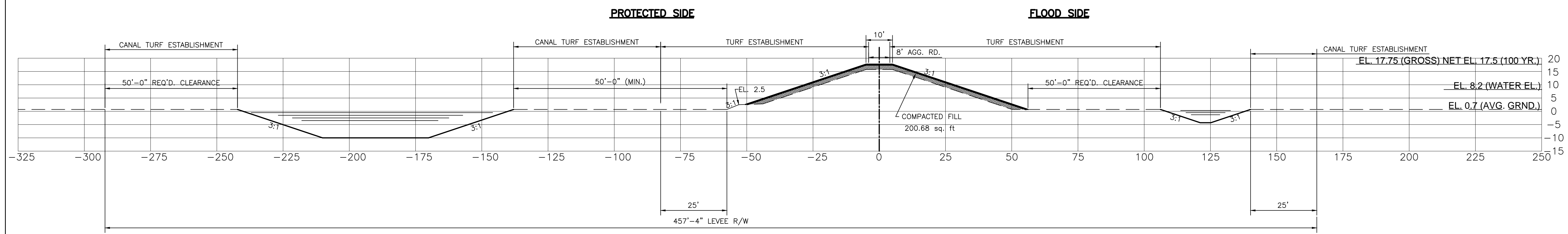
**GENERAL NOTES:**

1. 3:1 SIDE SLOPES
2. 100% IMPORTED CLAY
3. CONVEYANCE CANAL DEPTH TO -10' NAVD88

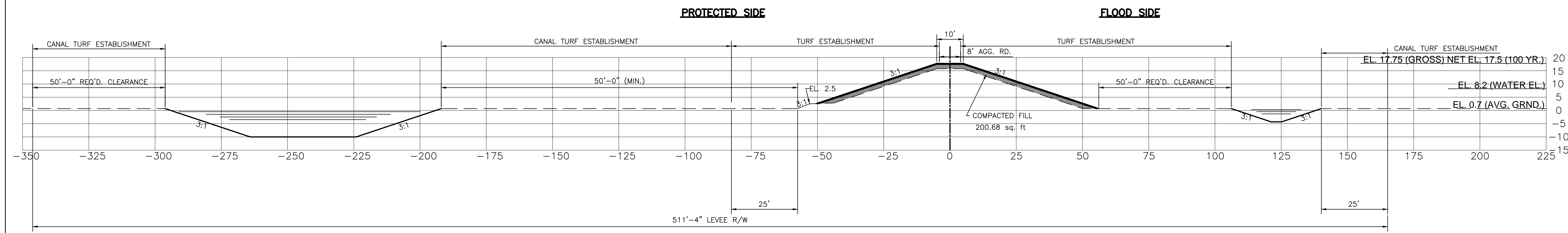
SCALE IN FEET



**Levee Section C-15 (Sta. 681+62.66 thru Sta. 721+94.13)**  
First Lift



**Levee Section C-14 (Sta. 653+16.92 thru Sta. 681+62.66)**  
First Lift



**Levee Section C-13 (Sta. 612+85.46 thru Sta. 653+16.92)**  
First Lift

XREF: NONE

DATE:

FILE NAME: X.DWG





DESIGNED	DEB/TNP
CHECKED	HMP
DETAILED	CAD
CHECKED	DEB/TNP
DATE	03/2014
SHEET	43 OF 45

NO.	DATE	REVISION DESCRIPTION	BY

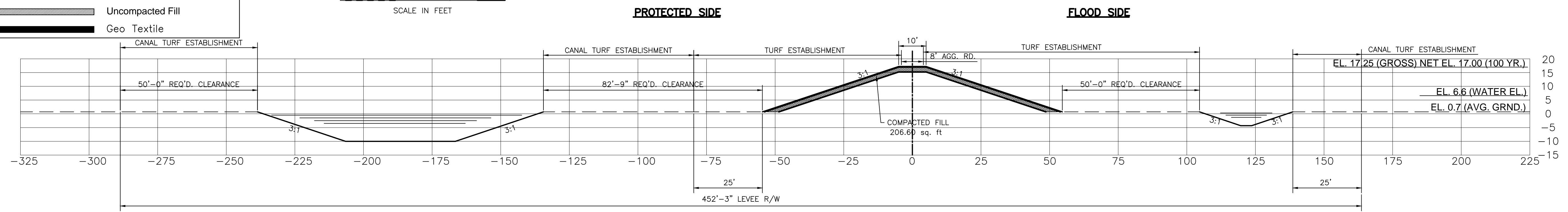
**Legend**

- Center Line of Levee
- Toe of Levee
- ▨ Compacted Fill (Overbuild)
- ▨ Compacted Fill
- ▨ Uncompacted Fill
- ▨ Geo Textile

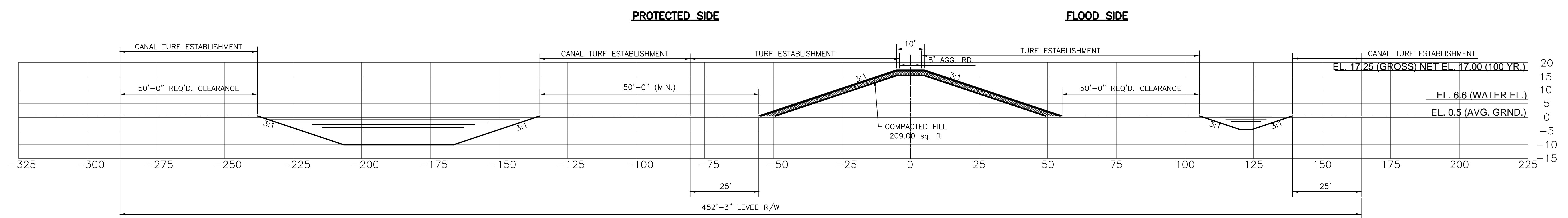
**GENERAL NOTES:**

1. 3:1 SIDE SLOPES
2. 100% IMPORTED CLAY
3. CONVEYANCE CANAL DEPTH TO -10' NAVD88

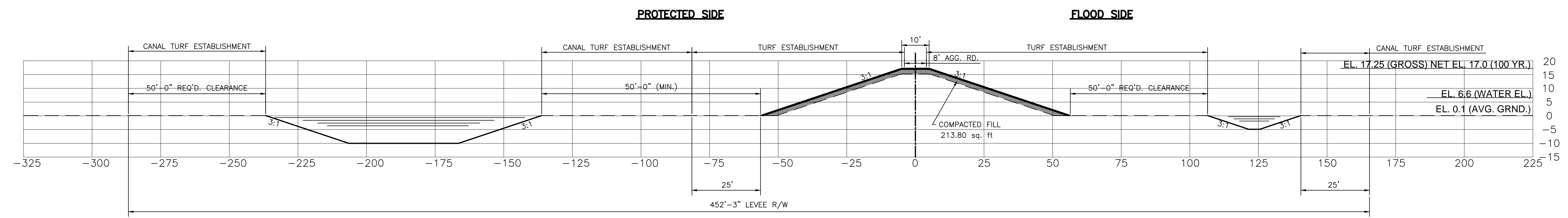
SCALE IN FEET



**Levee Section C-18 (Sta. 821+54.25 thru Sta. 850+00.00)**  
First Lift



**Levee Section C-17 (Sta. 740+91.43 thru Sta. 821+54.25)**  
First Lift



**Levee Section C-16 (Sta. 721+94.13 thru Sta. 740+91.31)**  
First Lift

XREF: NONE

DATE:

FILE NAME: X.DWG



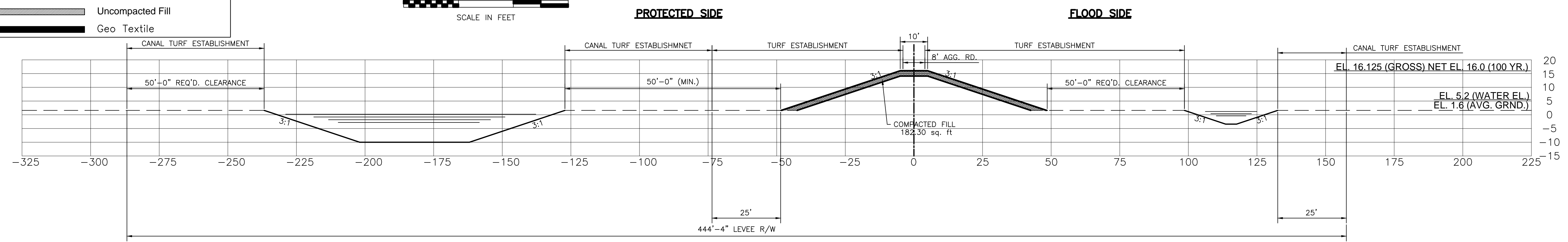
**Legend**

- Center Line of Levee
- Toe of Levee
- ▨ Compacted Fill (Overbuild)
- ▨ Compacted Fill
- ▨ Uncompacted Fill
- ▨ Geo Textile

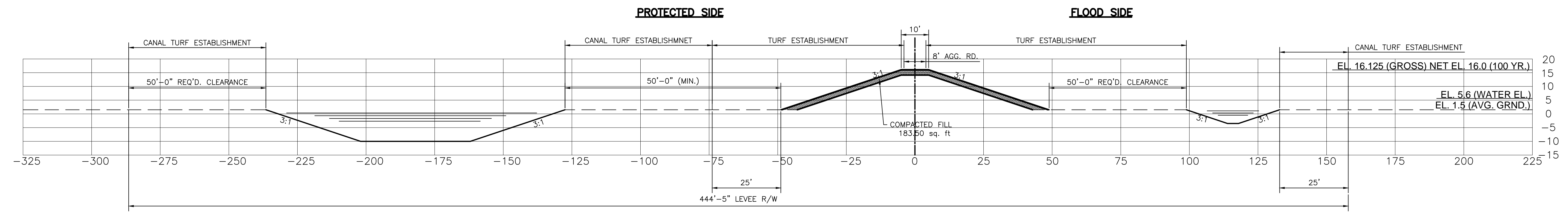
**GENERAL NOTES:**

1. 3:1 SIDE SLOPES
2. 100% IMPORTED CLAY
3. CONVEYANCE CANAL DEPTH TO -10' NAVD88

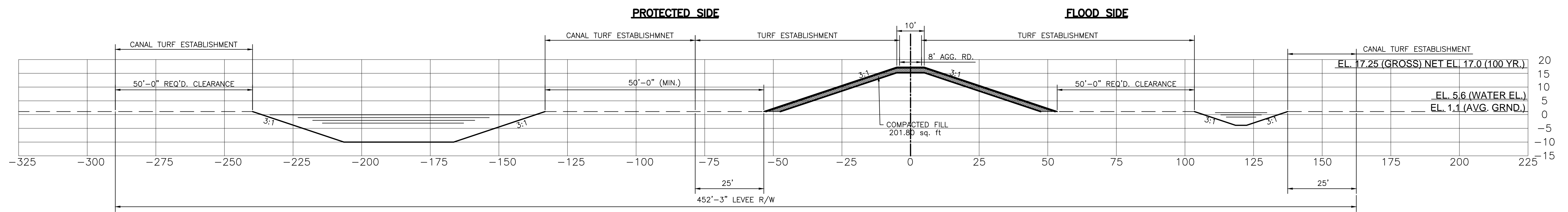
SCALE IN FEET



**Levee Section C-21 (Sta. 945+00.00 thru Sta. 967+91.21)**  
First Lift



**Levee Section C-20 (Sta. 905+00.00 thru Sta. 945+00.00)**  
First Lift



**Levee Section C-19 (Sta. 850+00.00 thru Sta. 905+00.00)**  
First Lift

XREF: NONE

DATE:

FILE NAME: X.DWG



DESIGNED	DEB/TNP
CHECKED	HMP
DETAILED	CAD
CHECKED	DEB/TNP
DATE	03/2014
SHEET	45 OF 45

NO.	DATE	REVISION DESCRIPTION	BY

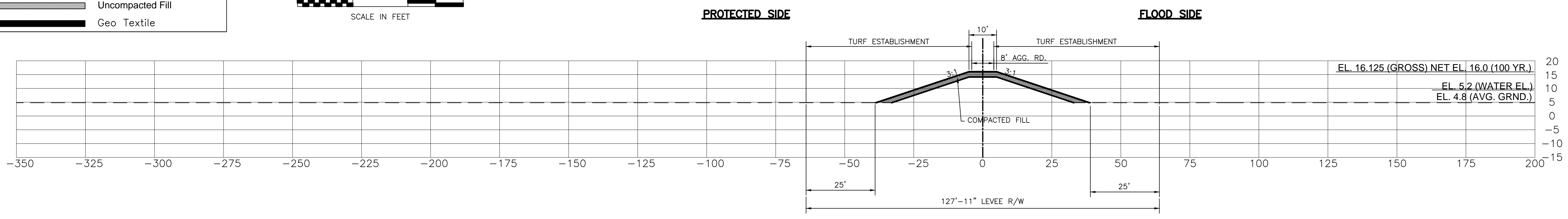
**Legend**

- Center Line of Levee
- Toe of Levee
- Compacted Fill (Overbuild)
- Compacted Fill
- Uncompacted Fill
- Geo Textile

**GENERAL NOTES:**

1. 3:1 SIDE SLOPES
2. 100% IMPORTED CLAY
3. CONVEYANCE CANAL DEPTH TO -10' NAVD88

SCALE IN FEET



Levee Section C-22 (Sta. 967+91.21 thru Sta. 1063+87.55)  
First Lift

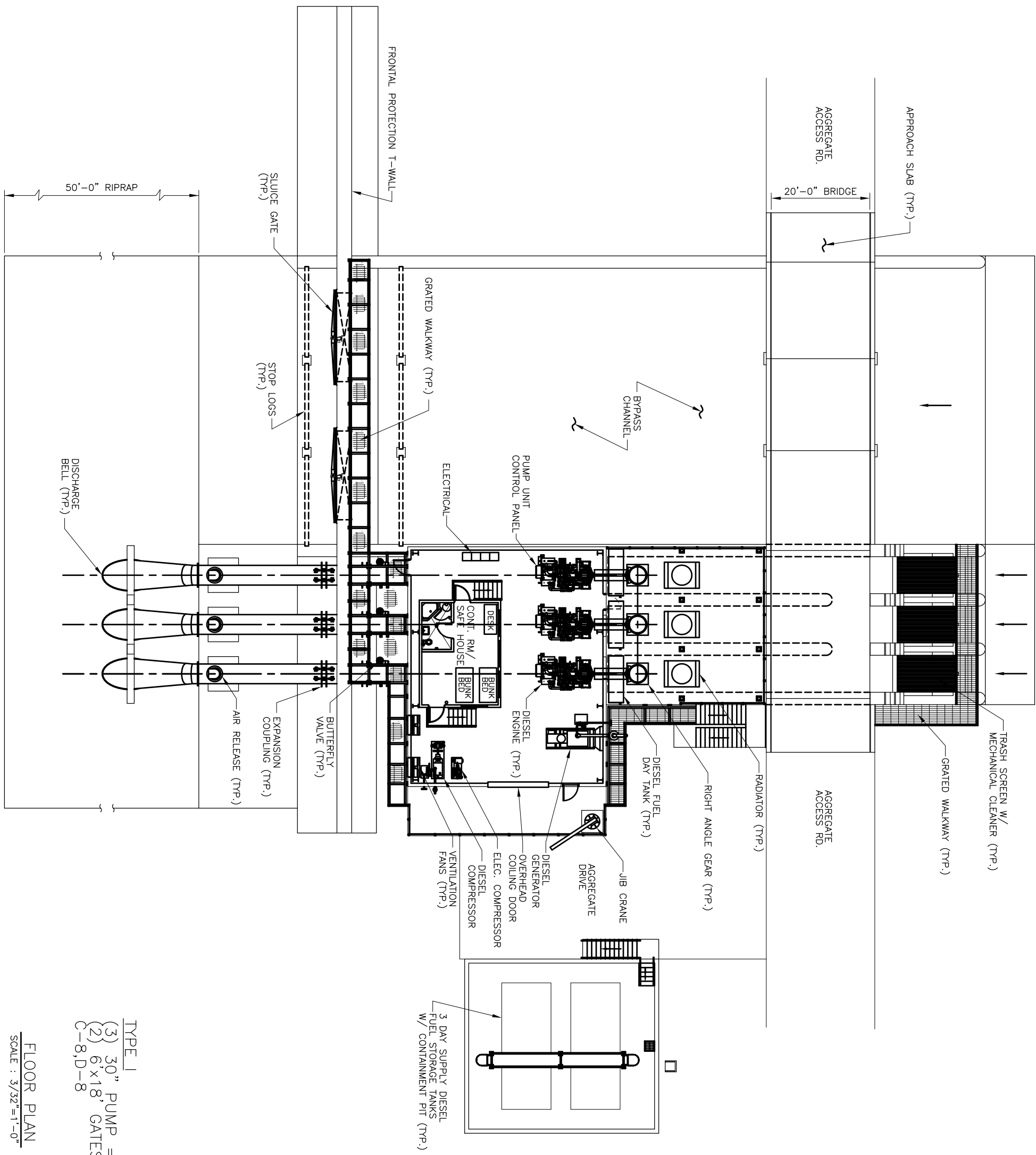
XREF: NONE

DATE:

FILE NAME: X.DWG



**PUMP STATION FLOOR PLANS AND  
ELEVATION VIEWS**

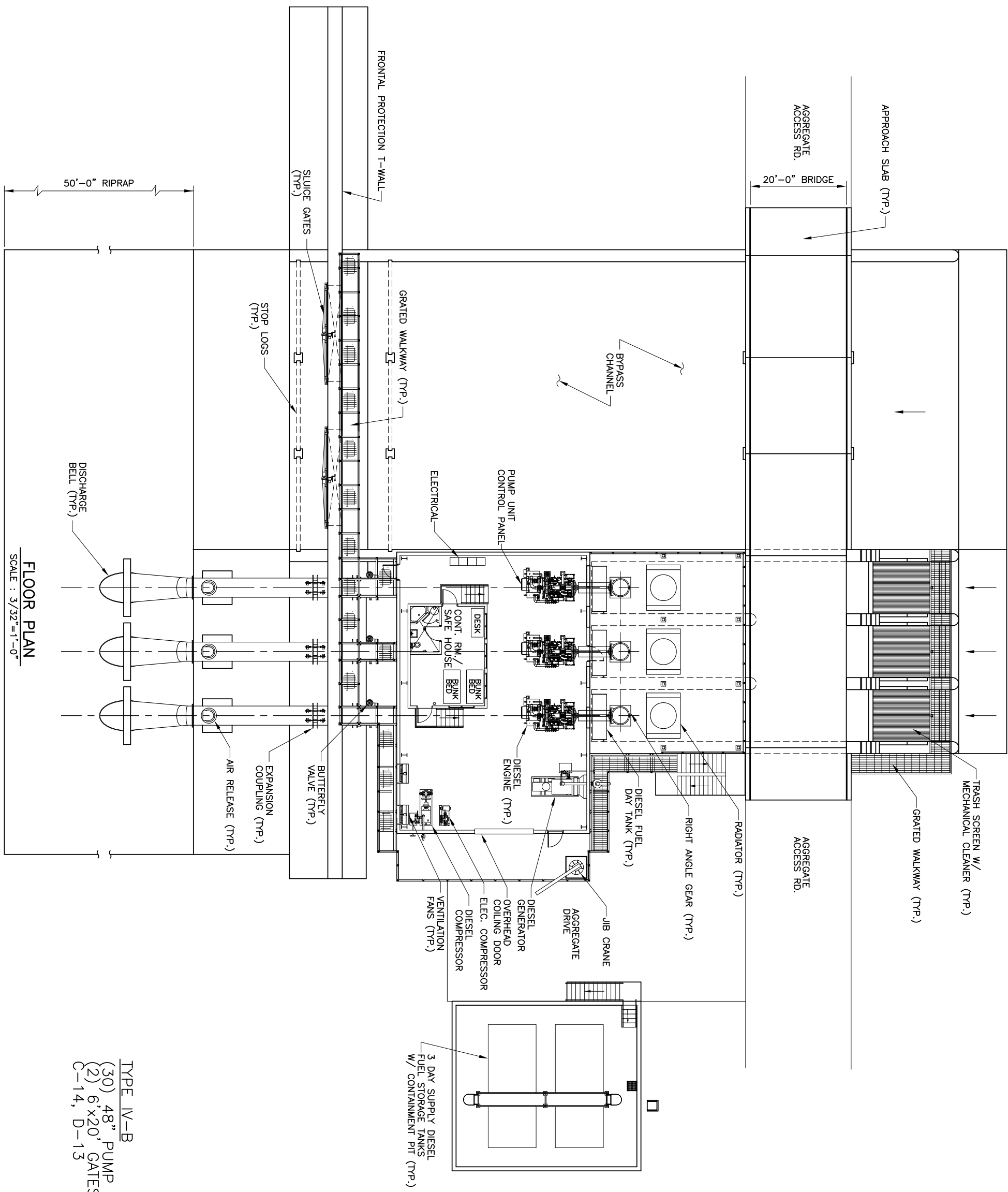


TYPE 1  
 (3) 30" PUMP = 200 CFS  
 (2) 6'x18' GATES  
 C-8,D-8

FLOOR PLAN  
 SCALE : 3/32"=1'-0"

DESIGNED DEB/TNP HMP		BKI MA GSA		WEST SHORE - LAKE PONTCHARTRAIN, LA HURRICANE PROTECTION PROJECT PARISHES OF ST. CHARLES, ST. JOHN THE BAPTIST, ST. JAMES, AND ASCENSION		PARISH	ST. CHARLES / ST. JOHN THE BAPTIST ST. JAMES / ASCENSION PARISHES	SHEET NUMBER	M1.0
DETAILED GAD DEB/TNP						PLD PROJECT	USACE PROJECT		
NO.	DATE	REVISION DESCRIPTION	BY	DATE SHEET	1 OF 13				





**FLOOR PLAN**  
SCALE : 3/32"=1'-0"

TYPE IV-B  
(30) 48" PUMP = 400 CFS  
(2) 6'x20' GATES  
C-14, D-13

NO.	DATE	REVISION DESCRIPTION	BY

DESIGNED	DEB/TNP
CHECKED	HMP
DETAILED	GAD
CHECKED	DEB/TNP
DATE	12/2012
SHEET	5 OF 13

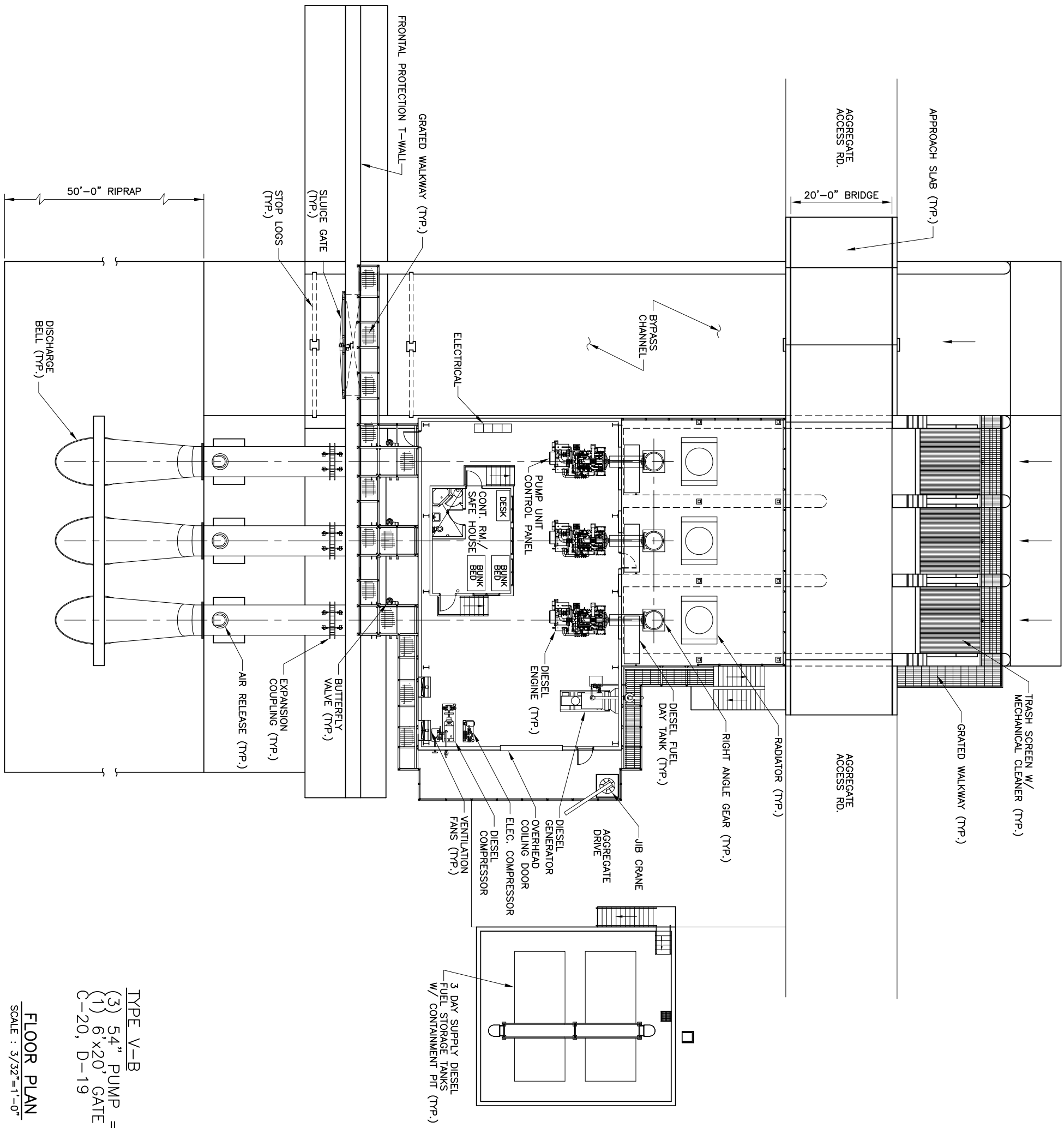
BKI  
MA GSA

**WEST SHORE - LAKE PONTCHARTRAIN, LA**  
HURRICANE PROTECTION PROJECT  
PARISHES OF ST. CHARLES, ST. JOHN THE BAPTIST,  
ST. JAMES, AND ASCENSION

LEVEL PLANS  
FLOOR PLAN



PARISH	ST. CHARLES / ST. JOHN THE BAPTIST ST. JAMES / ASCENSION PARISHES
PLD PROJECT	
USACE PROJECT	



TYPE V-B  
 (3) 54" PUMP = 460 CFS  
 (1) 6'x20' GATE  
 C-20, D-19

FLOOR PLAN  
 SCALE : 3/32"=1'-0"

NO.	DATE	REVISION DESCRIPTION	BY

DESIGNED	DEB/TNP
CHECKED	HMP
DETAILED	GAD
CHECKED	DEB/TNP
DATE	12/2012
SHEET	7 OF 13

BKI  
 MA GSA



WEST SHORE - LAKE PONTCHARTRAIN, LA  
 HURRICANE PROTECTION PROJECT  
 PARISHES OF ST. CHARLES, ST. JOHN THE BAPTIST,  
 ST. JAMES, AND ASCENSION

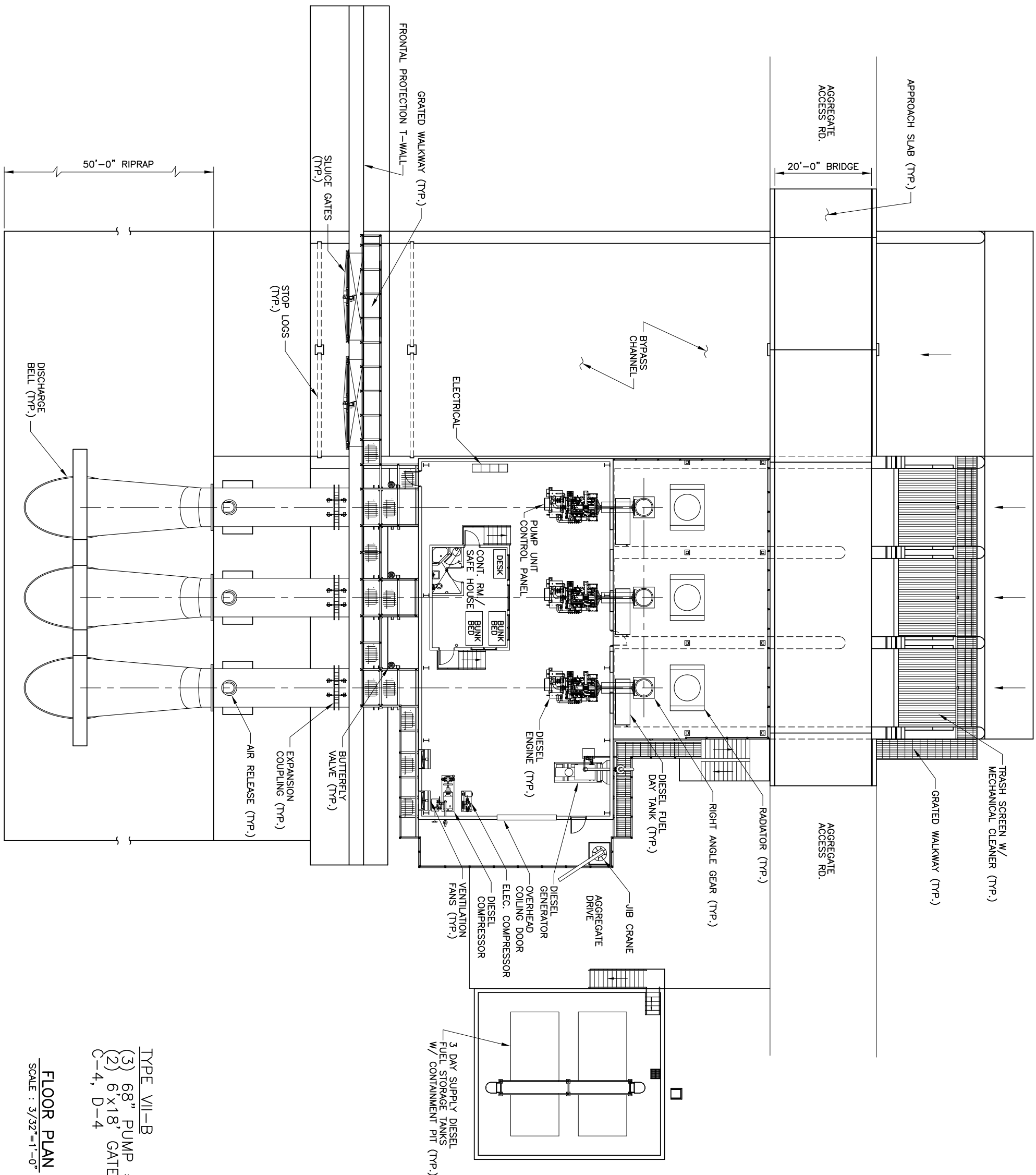
LEVEL PLANS  
 FLOOR PLAN



PARISH	ST. CHARLES / ST. JOHN THE BAPTIST ST. JAMES / ASCENSION PARISHES
PLD PROJECT	
USACE PROJECT	

SHEET NUMBER  
 M1.6





TYPE VII-B  
 (3) 68" PUMP = 1100 CFS  
 (2) 6'x18' GATES  
 C-4, D-4

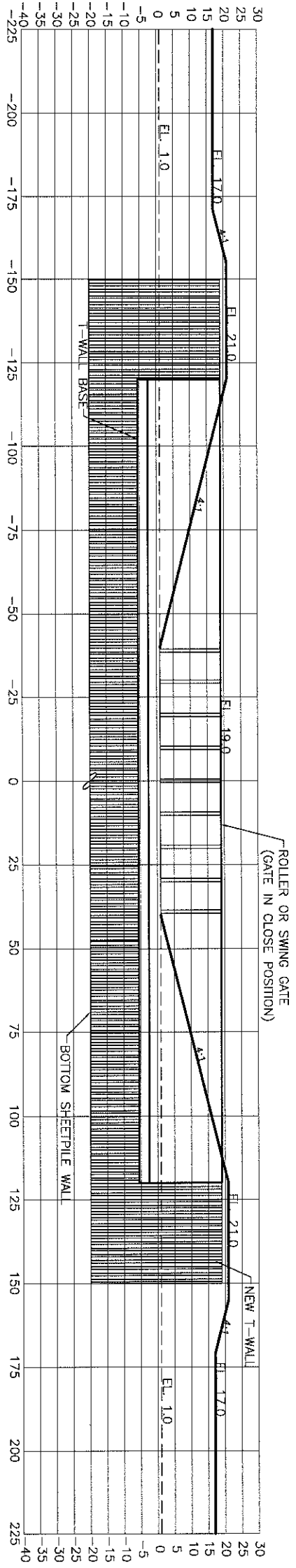
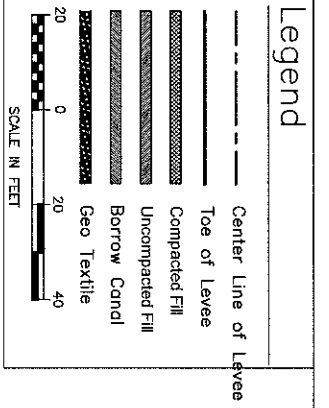
FLOOR PLAN  
 SCALE : 3/32"=1'-0"

NO.	DATE	REVISION DESCRIPTION	BY	DESIGNED DEB/TNP	CHECKED HMP	DETAILED GAD	CHECKED DEB/TNP	DATE 12/2012	SHEET 10 OF 13	BKI MA GSA	STATE OF LOUISIANA DEPARTMENT OF TRANSPORTATION & INFRASTRUCTURE	WEST SHORE - LAKE PONTCHARTRAIN, LA HURRICANE PROTECTION PROJECT PARISHES OF ST. CHARLES, ST. JOHN THE BAPTIST, ST. JAMES, AND ASCENSION	PLD PROJECT	USACE PROJECT	PARISH ST. CHARLES / ST. JOHN THE BAPTIST ST. JAMES / ASCENSION PARISHES	SHEET NUMBER M1.9
-----	------	----------------------	----	---------------------	----------------	-----------------	--------------------	-----------------	-------------------	---------------	---	---	-------------	---------------	--	----------------------







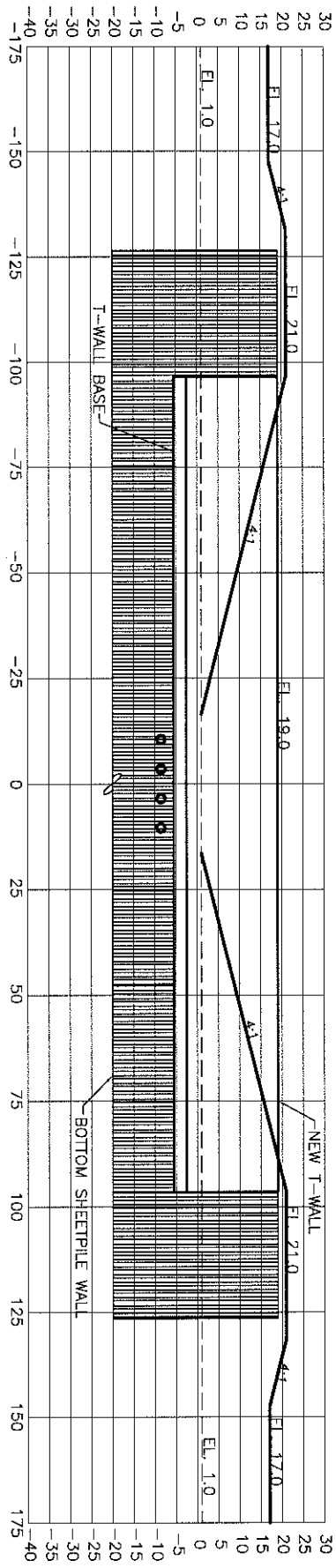
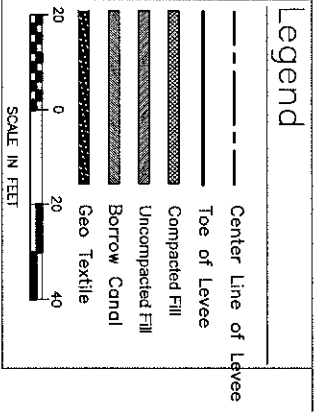


**ELEVATION VIEW FLOODGATE @ ROADWAY/RAILROAD**

**NOTE:**  
GATE WIDTH VARIES FOR INDIVIDUAL CROSSINGS.

NO.	DATE	REVISION DESCRIPTION	BY	DESIGNED	DEB/TNP		<b>WEST SHORE - LAKE PONTCHARTRAIN, LA</b> HURRICANE PROTECTION PROJECT PARISHES OF ST. CHARLES, ST. JOHN THE BAPTIST, ST. JAMES, AND ASCENSION		PARISH	ST. CHARLES / ST. JOHN THE BAPTIST ST. JAMES / ASCENSION PARISHES	SHEET NUMBER	S1.2
				CHECKED	HMP				PLD PROJECT			
				DATE	12/2013	BKM MA GSA	LEVEE PLANS					
				CHECKED	DEB/TNP		SHEET	3 OF 4				





PIPELINE T-WALL CROSSING TYPICAL ELEVATION

NOTE:  
NUMBER OF PIPELINES VARY AT INDIVIDUAL CROSSINGS.

DESIGNED CHECKED	DEB/TNP HMP			<b>WEST SHORE - LAKE PONTCHARTRAIN, LA</b> HURRICANE PROTECTION PROJECT PARISHES OF ST. CHARLES, ST. JOHN THE BAPTIST, ST. JAMES, AND ASCENSION		PARISH	ST. CHARLES / ST. JOHN THE BAPTIST ST. JAMES / ASCENSION PARISHES	SHEET NUMBER <b>S13</b>
DATE	12/2013					PLD PROJECT		
NO.	DATE	REVISION DESCRIPTION	BY	LEVEE PLANS	PIPELINE CROSSING TYPICAL SECTION			