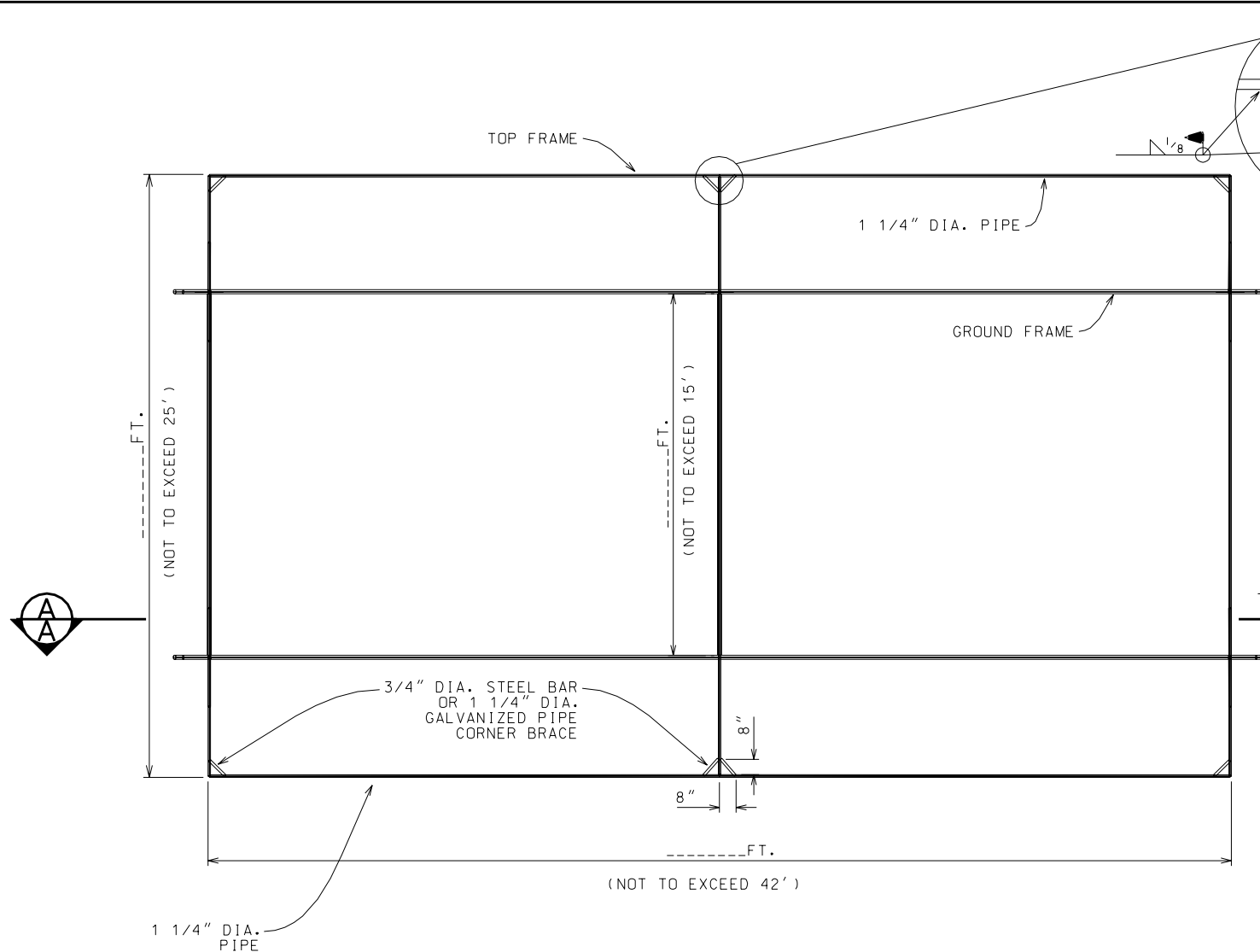
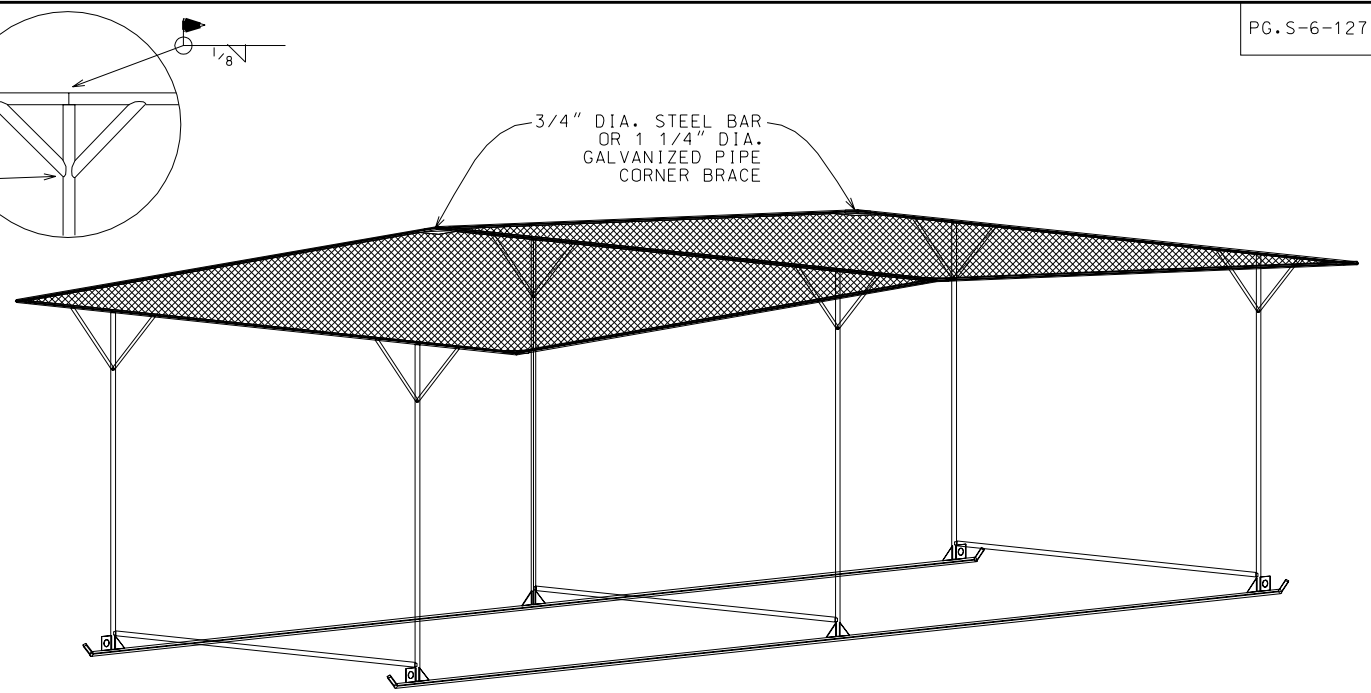


DATE	04/05
DESIGNED	P. COLE
DRAWN	C. E. LAFLAUR
CHECKED	E. J. GIERING
APPROVED	



TOP VIEW



ISOMETRIC

- NOTE:**
1. MAXIMUM ALLOWABLE DIMENSIONS ARE NOTED IN PARENTHESIS. PLANNED DIMENSIONS ARE TO BE INSERTED IN THE BLANK SPACES.
 2. ALL PIPE DIAMETERS ARE NOMINAL SIZES. ALL PIPE SIZES ARE THE MINIMUM REQUIRED. PIPE MATERIAL SHALL MEET OR EXCEED ASTM A-53 FOR SCHEDULE 40 PIPE.
 3. ALL STRUCTURAL MEMBERS, WELDS AND AREAS OF DAMAGE COATINGS SHALL BE GALVANIZED OR OTHERWISE PROTECTED WITH A ZINC DUST-OXIDE COATING.
 4. LIVESTOCK SHADE STRUCTURE SHALL MEET THE REQUIREMENT OF NRCS-LA CONSERVATION PRACTICE STANDARD CODE 717.
 5. MESH SHADE CLOTH SHALL PROVIDE AT LEAST 80% SHADE. SEE NRCS-LA CONSERVATION PRACTICE STANDARD CODE 717. FOR FABRIC MATERIAL, EDGING REQUIREMENTS AND ATTACHMENT METHODS.

BILL OF MATERIALS

GALVANIZED STEEL PIPE (SCHEDULE 40)

2" DIA. = _____ LIN. FT. (FRAME)

1 1/4" DIA. = _____ LIN. FT. (FRAME)

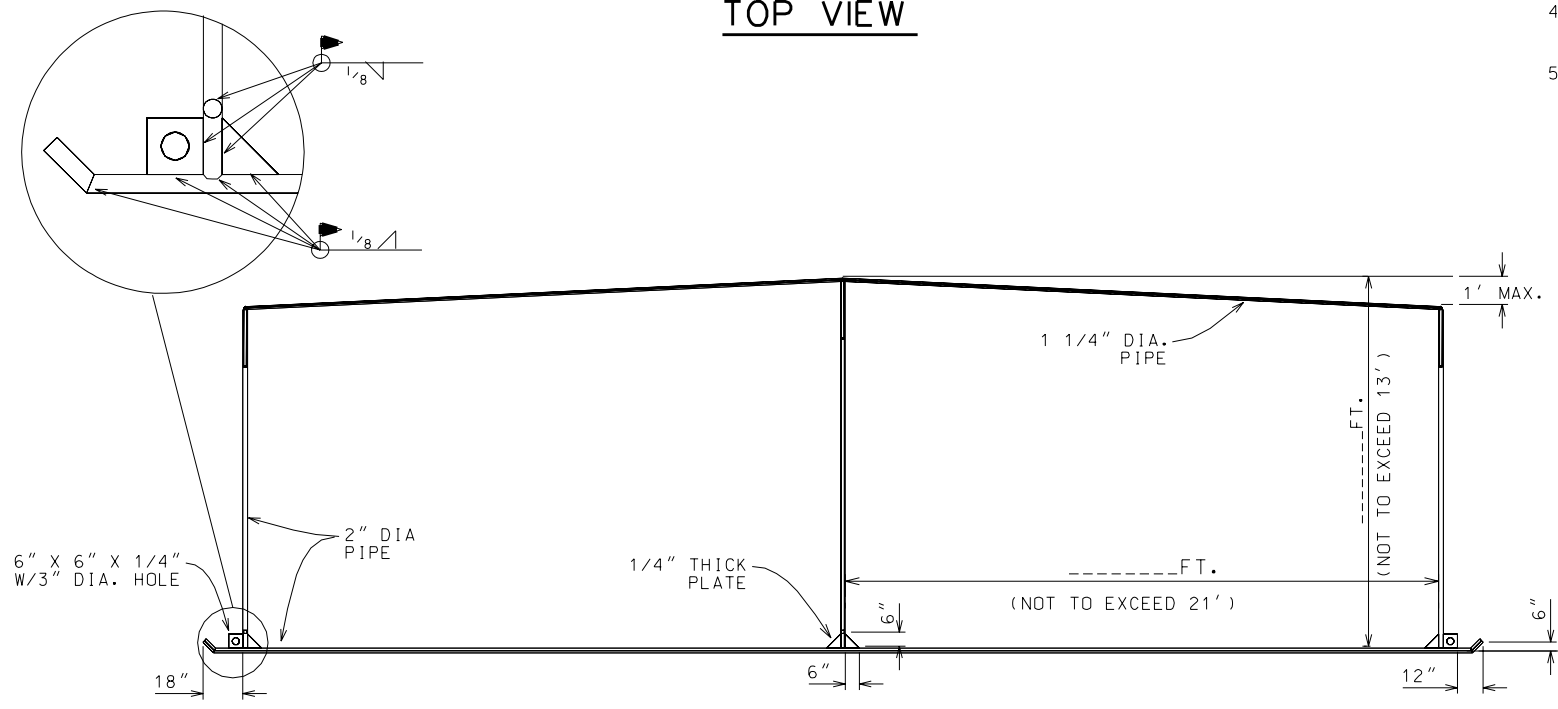
1 1/4" DIA. = 30.1 LIN. FT. ± (FRAME BRACES)

SHADE CLOTH:

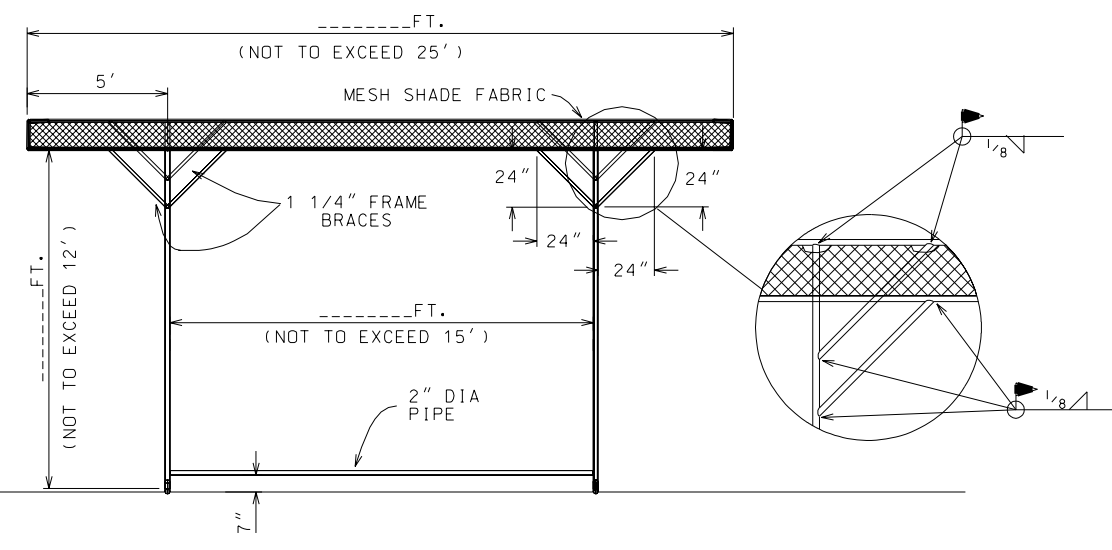
_____ FT. X _____ FT. = _____ SQ. FT.

1/4" STEEL PLATE = 2 SQ. FT.

3/4" STEEL BAR OR 1 1/4" DIA. GALVANIZED PIPE FOR CORNER BRACES = 7.5 LIN. FT. ±



SECTION A-A



END VIEW

REVISIONS			
NO.	DATE	APPROVED	TITLE

PORTABLE LIVESTOCK SHADE STRUCTURE
 LANDOWNER _____ PARISH, LOUISIANA

