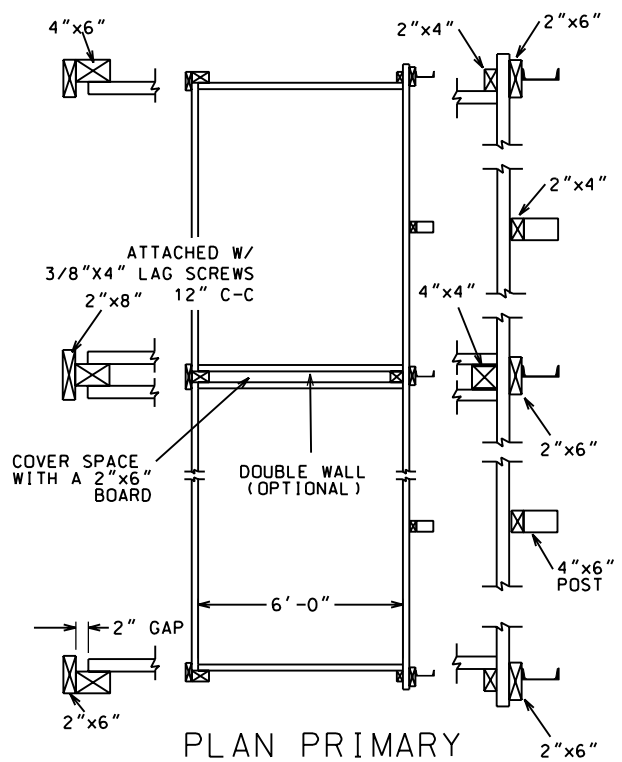
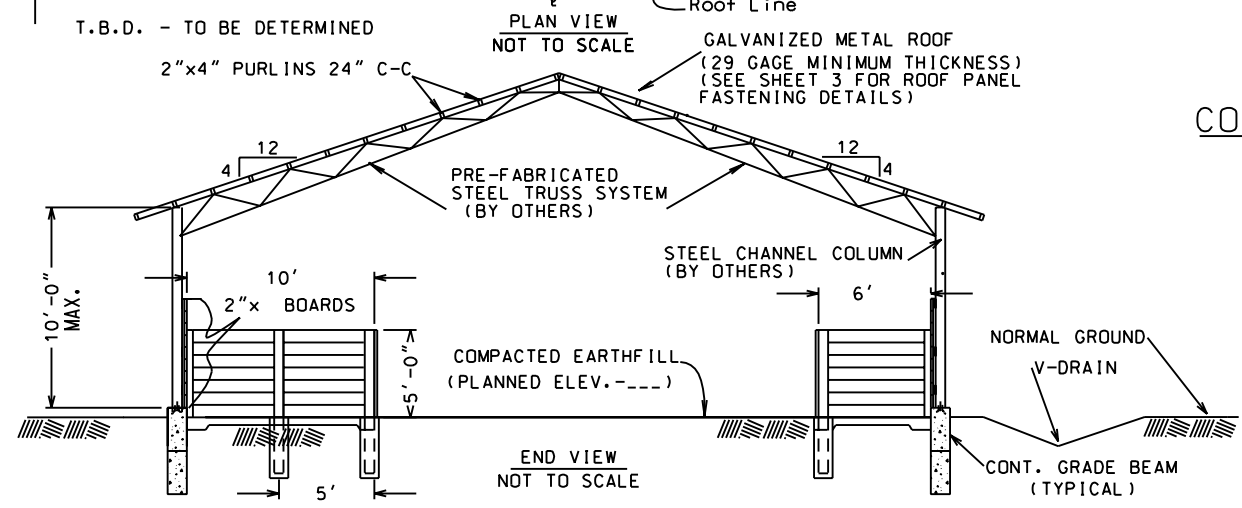
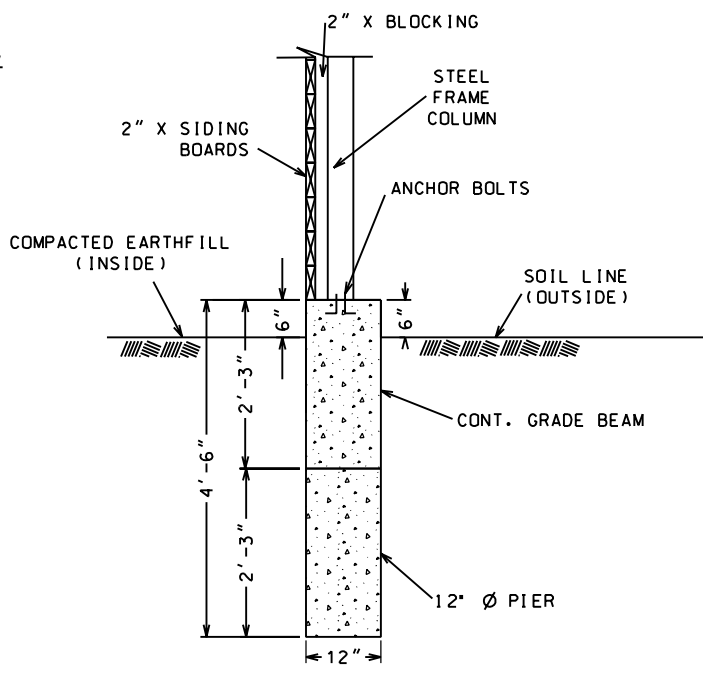


NOTE:
The prefabricated metal frame superstructure shall be designed by a Registered Professional Engineer (LA-PE) and approved by the State Conservation Engineer prior to installation. The prefabricated structure shall be installed in accordance with the Record Engineer's design.

The fabricator of the pre-fab metal frame is required to provide a drawing showing the material proposed for use in the lateral bracing for the bottom chord and compression flange of the frame, and "X" bracing details in the longitudinal direction of the building and how they are to be installed. The fabricator shall also provide any other information required to ensure that the structure performs as intended by the design engineer.

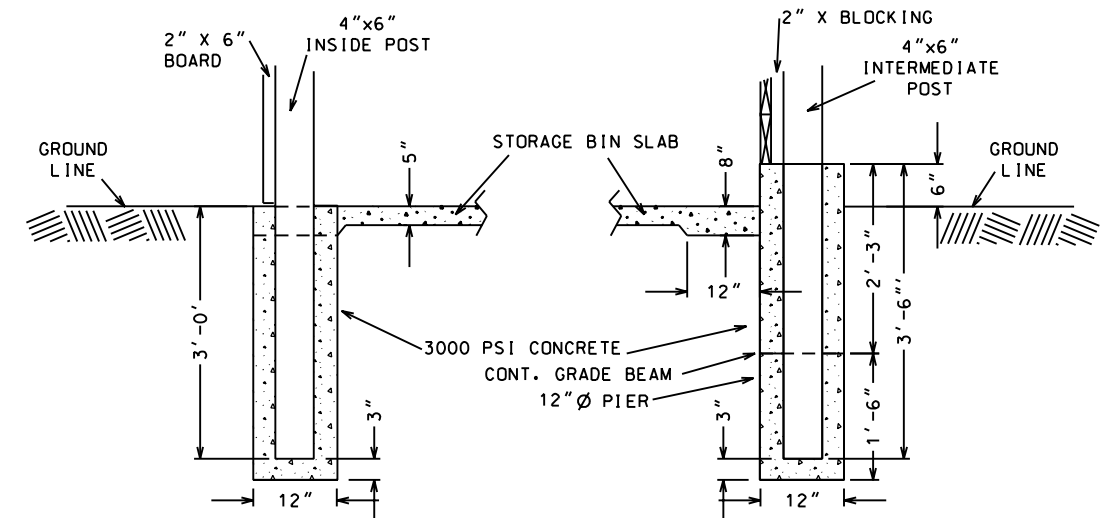


PLAN PRIMARY COMPOSTING BIN



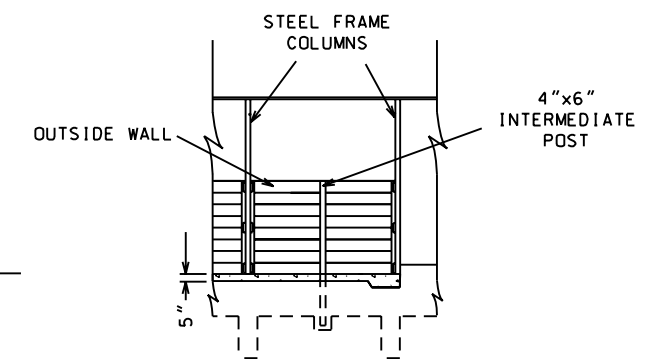
CONCRETE FOOTING @ STEEL FRAME COLUMN @ BINS

NOTE:
1. NOT TO SCALE
2. SEE SHEET 2 OF 3 FOR NOTES
3. SEE SHEET 2 OF 3 FOR FOUNDATION DETAILS

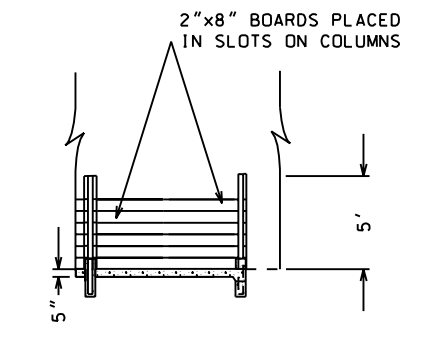


FOOTING @ INSIDE POSTS

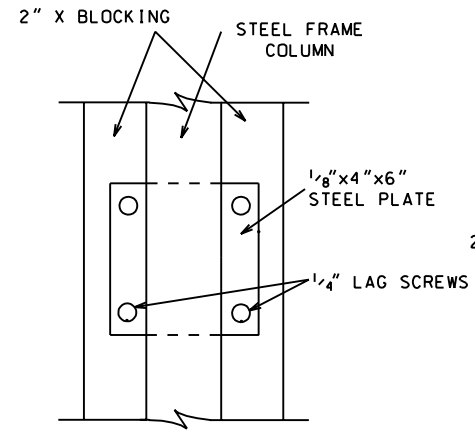
CONCRETE FOOTING @ OUTSIDE INTERMEDIATE POSTS



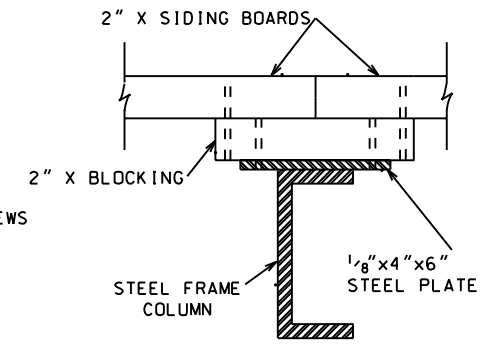
SECTION A-A STORAGE BINS



SECTION B-B STORAGE BINS



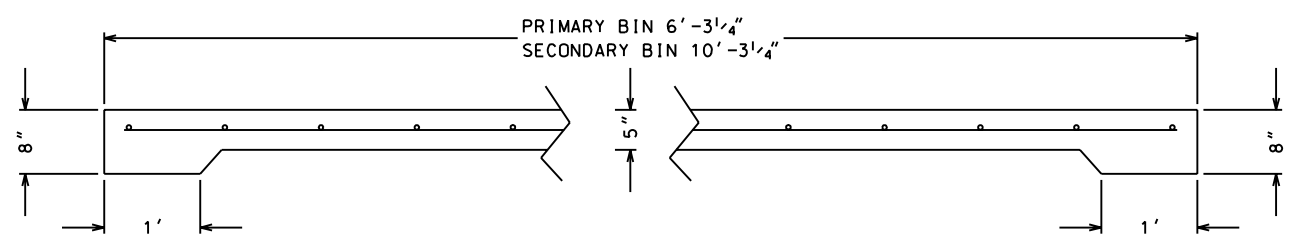
STEEL PLATE ATTACHMENT DETAIL



REVISIONS			
NO.	DATE	APPROVED	TITLE

DESIGNED E. J. GIERING 04/05
DRAWN A. GREMILLION / P. COLE 04/05
CHECKED C. LAFLEUR 04/05
APPROVED E. J. GIERING 05/05
LANDOWNER _____
PARISH, LOUISIANA



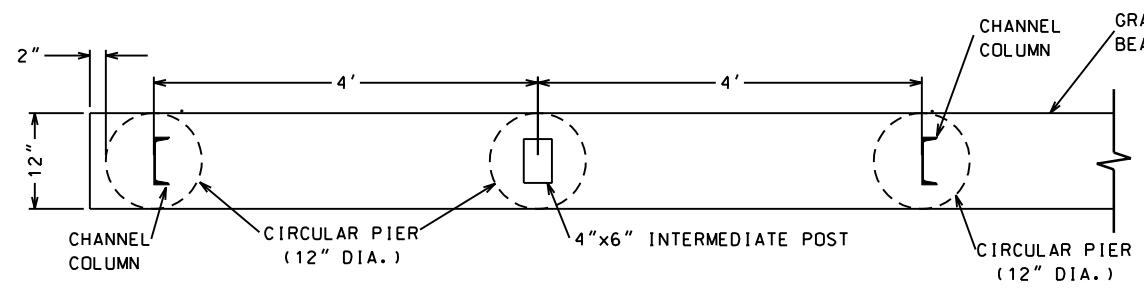


ELEVATION PRIMARY & SECONDARY BIN SLABS

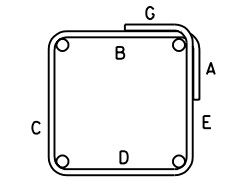
- 5-INCH SLAB REINFORCEMENT MAY BE ANY OF THE FOLLOWING:
- #3 BARS @ 12" C-C EACH WAY
 - #4 BARS @ 18" C-C EACH WAY
 - 6X6, 2/2 WELDED WIRE FABRIC
 - 2 LAYERS OF 6X6, 6/6 WELDED WIRE FABRIC

MARK	SIZE	QUANTITY	TYPE	BAR LENGTH	A	B	C	D	E	G	LAP	UNIT WT.
1	#5	4 PER CIR. PIER	STR.	4'-0"								1.043
2	#3	T.B.D.	T2	1'-9 1/2"	2 1/4"	4 1/4"	4 1/4"	4 1/4"	4 1/4"	2 1/4"		0.376
3	#5	4 PER GRD. BEAM	STR. CONT.								14"	1.043
4	#3	T.B.D.	T2	4'-10 1/2"	2 1/4"	2 1/4"	6"	21"	6"	2 1/4"		0.376
5	#5	T.B.D.	BENT	11'-3"		9"	10'-6"				14"	1.043

STEEL SCHEDULE PER GRADE BEAM & CIRCULAR PIER

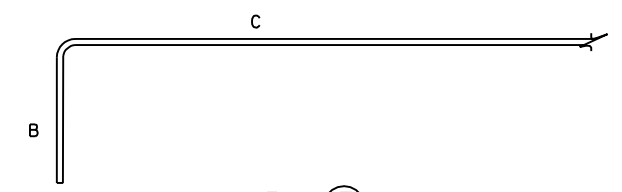


PATTERN OF ALTERNATING FRAME COLUMN AND WOODEN POST AT 4' CC REPEATS THROUGH LENGTH OF GRADE BEAM.

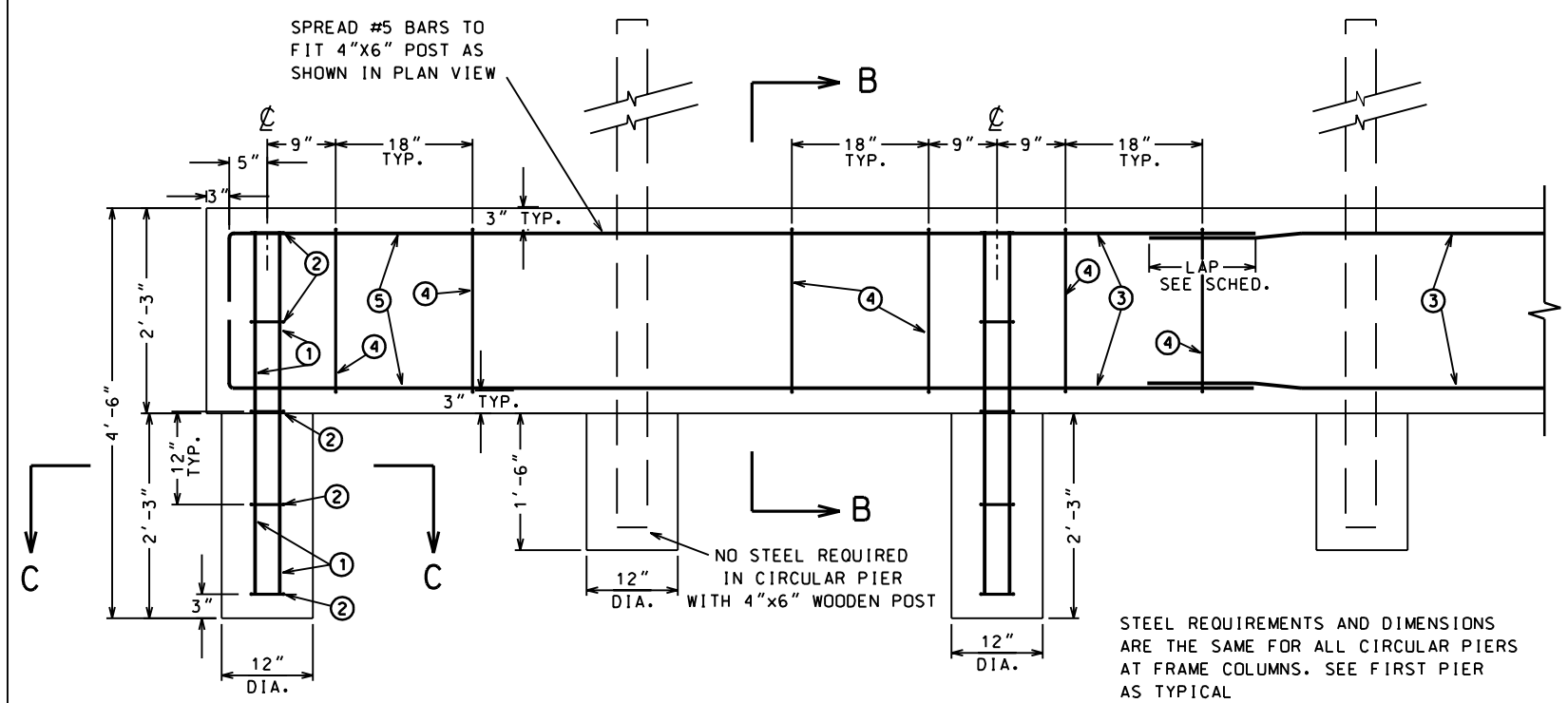


MARK ② & ④ TYPE T2

GRADE BEAM - PLAN VIEW

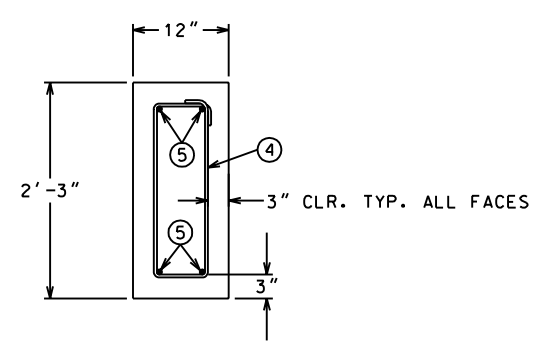


MARK ⑤ BENT

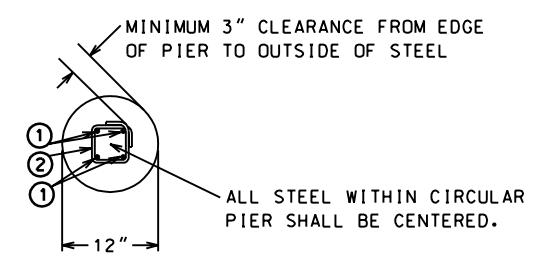


STEEL REQUIREMENTS AND DIMENSIONS ARE THE SAME FOR ALL CIRCULAR PIERS AT FRAME COLUMNS. SEE FIRST PIER AS TYPICAL

GRADE BEAM - ELEVATION VIEW



SECTION "B-B"



SECTION "C-C"

GENERAL NOTES:

- Wind loads were calculated as required by "THE STANDARD BUILDING CODE 1999" for 90 MPH wind load.
- Design soil bearing capacity is assumed to be 1500 PSF.
- This design is only for use in constructing the footings, and the internal litter storage or composter bin components. It in no way construes the adequacy of the building frame which is designed by other entities. Building frame to be attached to footings as per designer's recommendations.
- The foundation design shown hereon has been based on a 40' span, 4:12 roof pitch, a minimum roof live load of 10 psf, no earthquake loading factor, 10' eave height, 8' frame spacing & a 5' high dry stacked litter load on the side walls. For conditions other than these contact the area engineer.

CONSTRUCTION NOTES:

- Construction site shall be cleared of all trees, roots, brush, and debris. Unsuitable foundation soils shall be removed from the construction site and replaced with suitable compacted earthfill.
- All lumber shall be Southern Yellow Pine No. 2 or better.
- All lumber, with the exception of purlins, shall be pressure treated to a minimum retention of 0.4 p.c.f. ACQ or CCA (Type A, B, or C), or 0.41 p.c.f. CBA-A, or 0.21 p.c.f. CA-B.
- All concrete shall have a minimum strength of 3000 p.s.i. and reinforcing steel shall be grade 60.
- The bottom grade of all concrete footings shall be a minimum of 2.0' below the undisturbed parent soil.
- Lumber for litter storage walls shall have a minimum 2" nominal thickness.
- All nails and screws in contact with ACQ, CBA-A or CA-B treatments shall be hot-dipped galvanized or stainless steel. All others shall be zinc-coated.
- Boards for litter storage wall shall be attached to steel columns by welding a 1/8"x4"x6" steel plate to the column. Four holes shall be drilled at each of the four plate corners. Boards shall be fastened to the plate using 1/4" lag screws. (See Steel Plate Attachment Detail)
- Coal tar epoxy paint shall be applied to steel plates and columns to a height equal to that of the top board of the litter storage wall.

DETAILS COMPOSTING FACILITY BUILDING
TYPE B FOUNDATION FOR PREFAB METAL FRAME
LANDOWNER

PARISH, LOUISIANA



FILE NAME	LA S-6-57.DGN
DRAWING NAME	FIG.S-6-57
	00/00/00 00:00
SHEET	2 OF 3

REVISIONS			
NO.	DATE	APPROVED	TITLE

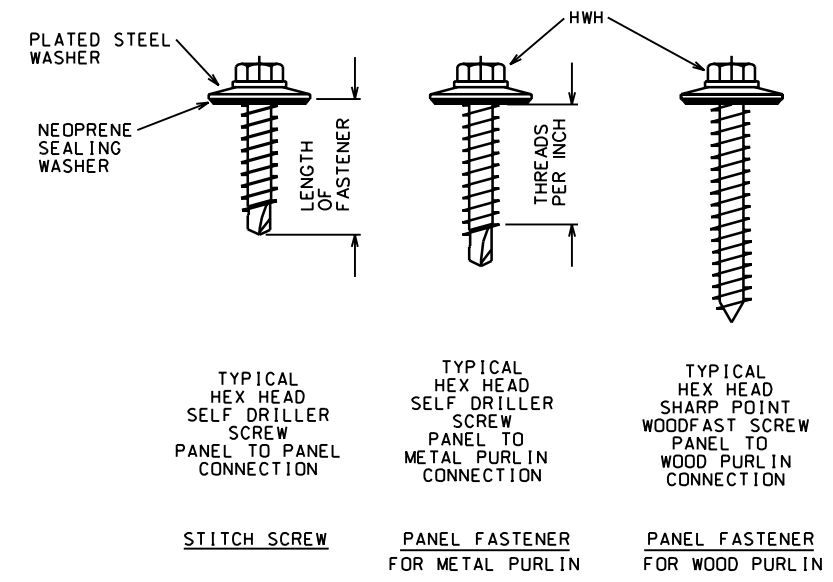
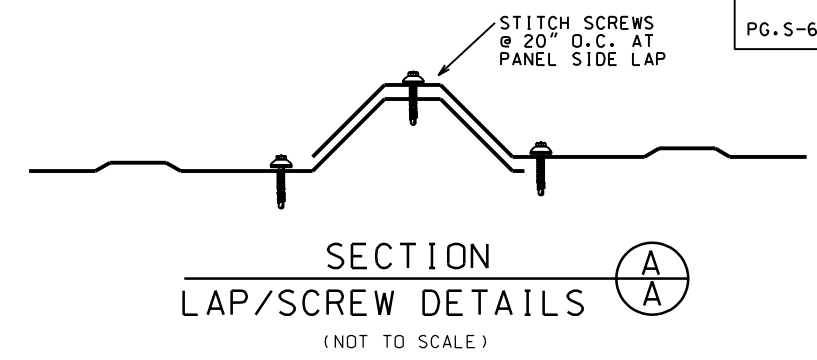
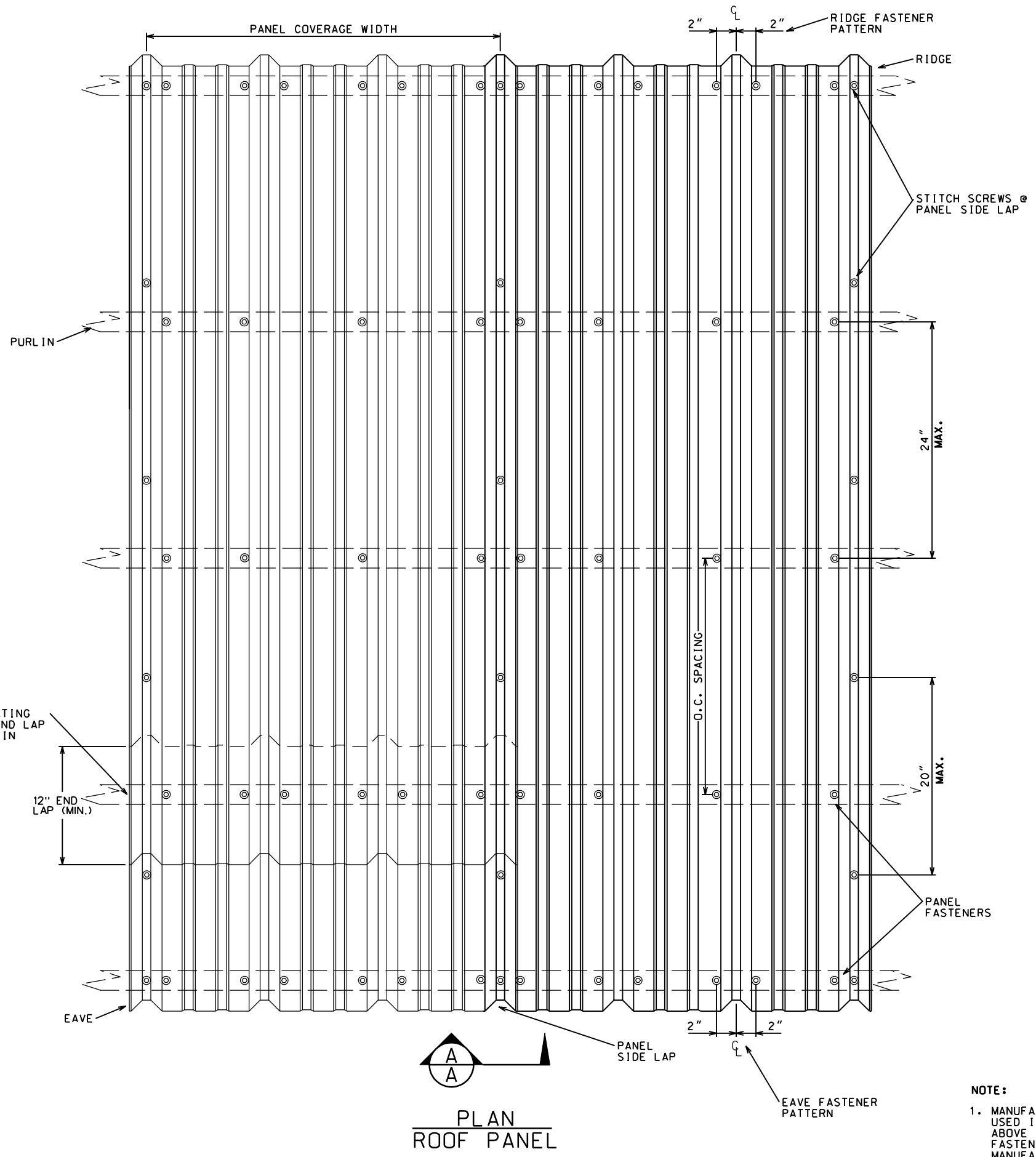
DESIGNED E. J. GIERING 2/04
DRAWN A. G., P.C. & D.W. 2/04
CHECKED B. STICKER 2/04
APPROVED E. J. GIERING 04/05

DATE	04/05
DESIGNED	C.E. LAFLEUR
DRAWN	P. COLE
CHECKED	M. KENNEDY
APPROVED	E. J. GIERLING

METAL ROOF PANEL FASTENING DETAILS
 COMPOSTING FACILITY BUILDING FOR 90 MPH
 WIND UTILIZING PRE-FAB METAL FRAME
 LANDOWNER _____ PARISH, LOUISIANA



FILE NAME	LA S-6-57
DRAWING NAME	FIG. S-6-57
SHEET	3 OF 3



FASTENER DETAILS

FASTENER NOMENCLATURE:
 EXAMPLE: NO. 12-14 X 1" HWH
 * NO. 12 - DIAMETER OF FASTENER (HIGHER THE NUMBER THE LARGER THE DIAMETER)
 * 14 - THREADS PER INCH. (TP1)
 * 1" - LENGTH OF FASTENER
 * HWH - HEX WASHER HEAD

FASTENER AND STICH SCREW SIZES:
 1. STICH SCREW SHALL BE NO. 14 X 3/4" HWH
 2. PANEL FASTENERS SHALL BE NO. 12-14 X 1" HWH
 3. WOODFAST SCREW SHALL BE NO. 9-15 X 1 1/2" HWH
 4. ALL FASTENERS SHALL HAVE A SEPERATE 3/8" O.D. PLATED STEEL WASHER AND A BONDED NEOPRENE SEALING WASHER.

FASTENER SPACING:
 1. EAVE AND RIDGE FASTENER PATTERN SHALL BE 2 INCHES FROM THE CL OF THE PANEL RIDGE ON EACH SIDE OF PANEL RIDGE.
 2. STICH SCREW SPACING SHALL BE 20" O.C. (MAX) AT PANEL SIDE LAP.
 3. PANEL TO PURLIN FASTENER SPACING SHALL BE ON ONE SIDE OF PANEL RIDGE EXCEPT AT PANEL END AND SIDE LAPS.

- NOTE:**
1. MANUFACTURERS RECOMMENDATIONS MAY BE USED IN LIEU OF THE SPECIFICATIONS STATED ABOVE IF THE MANUFACTURER SUPPLIES WRITTEN FASTENING PATTERN DETAILS OR IF THE MANUFACTURER'S WARRANTY COULD BE VOIDED.
 2. THE MANUFACTURERS RECOMMENDATIONS SHALL BE SUBMITTED IN WRITING TO THE LOCAL NRCS FIELD OFFICE PRIOR TO CONSTRUCTION.
 3. FASTENER SIZES AND ATTACHMENT REQUIREMENTS SHALL MEET MANUFACTURER'S RECOMMENDATIONS.

PLAN
 ROOF PANEL

