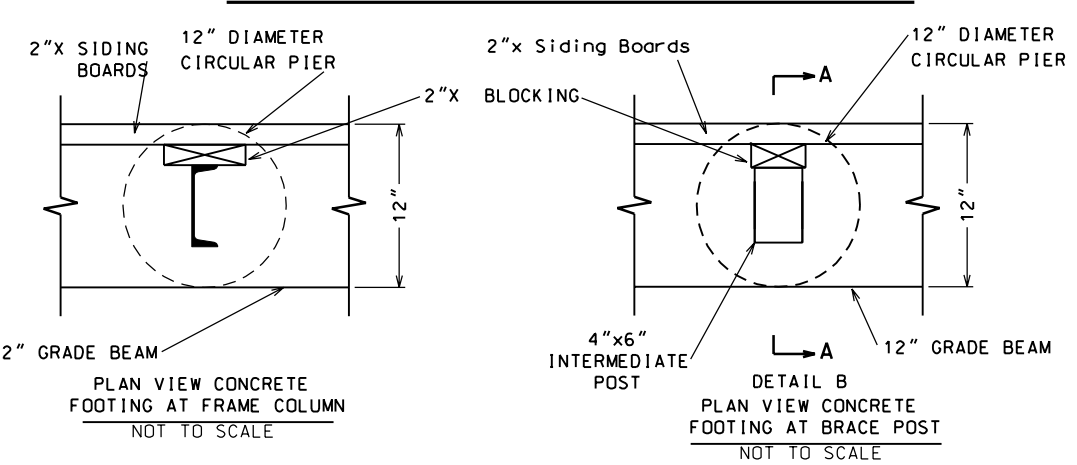
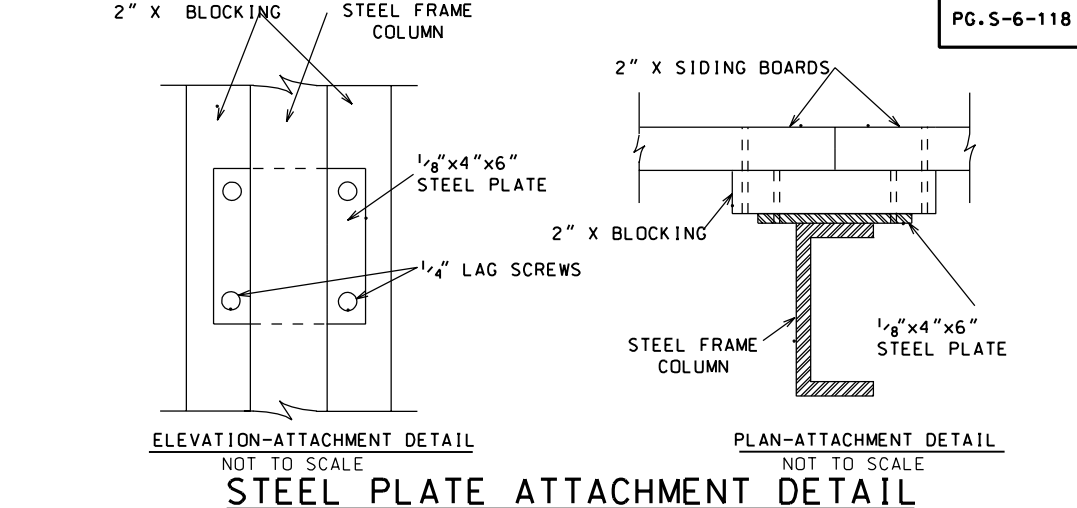
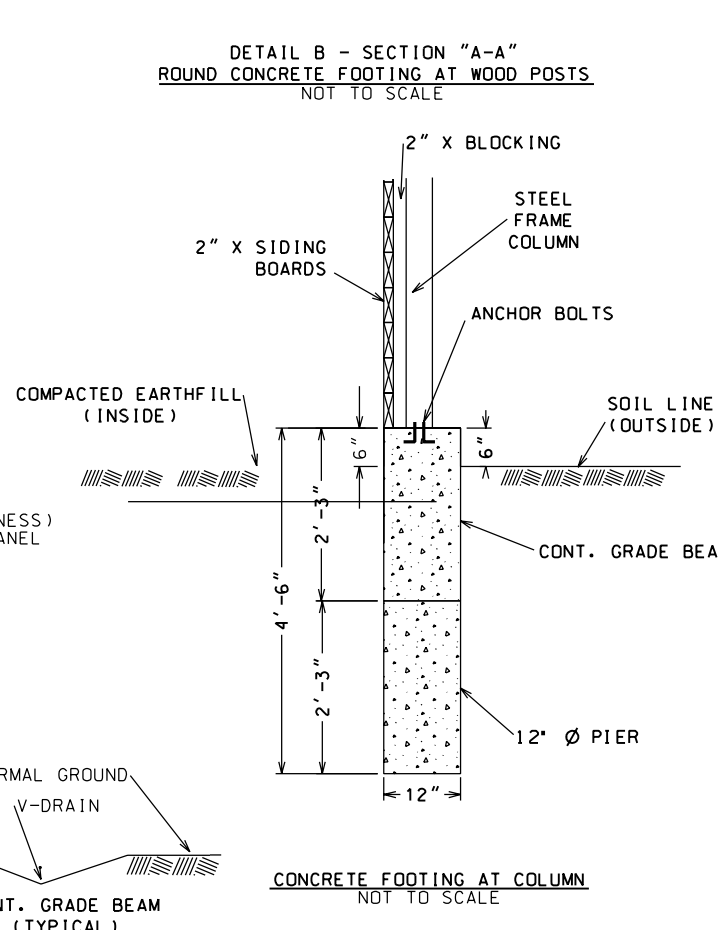
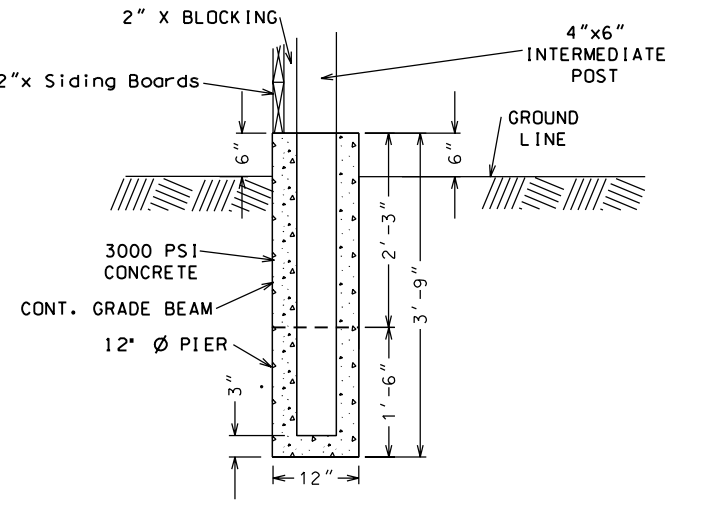
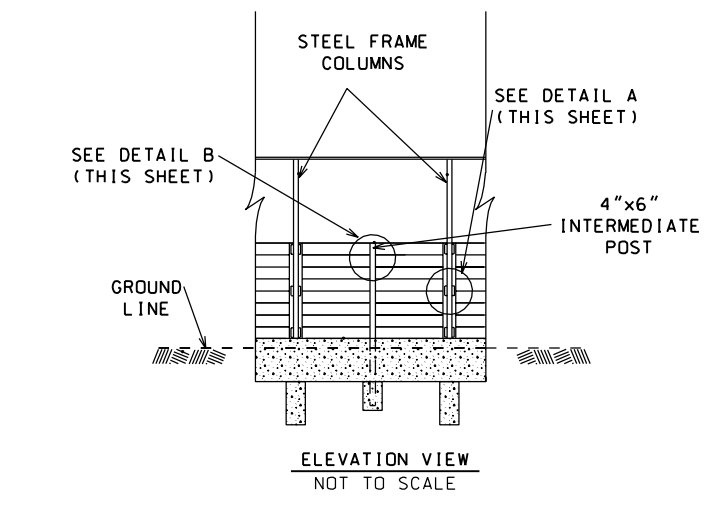
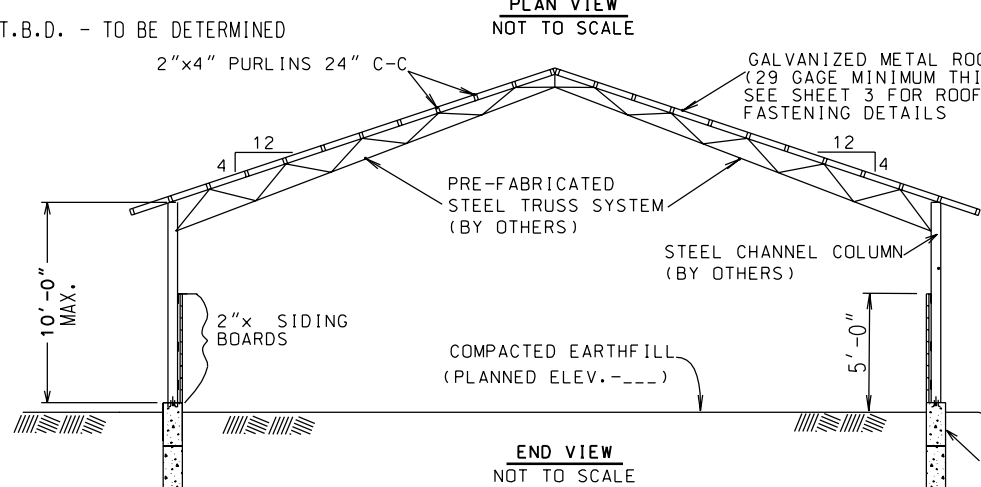
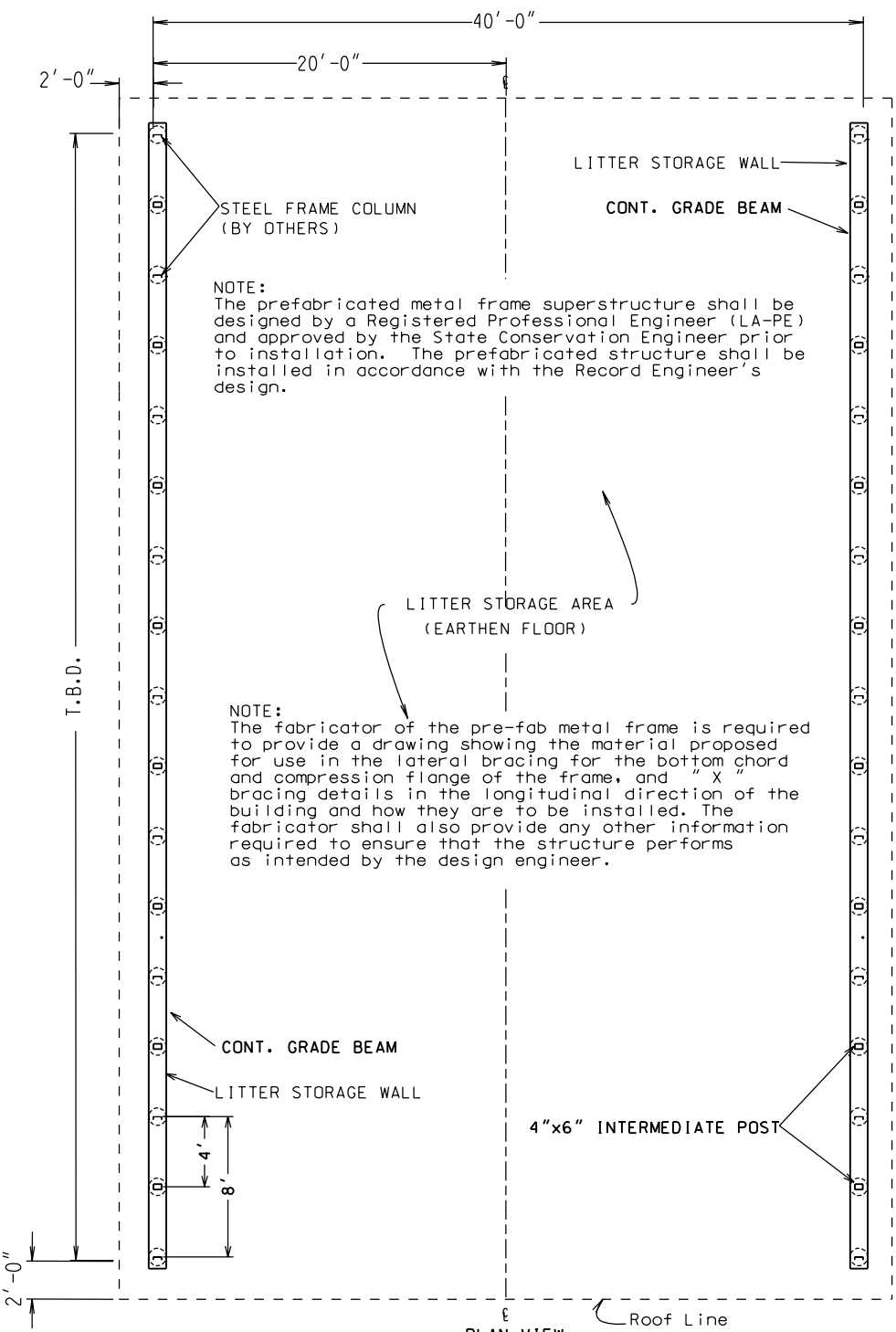


|          |                       |
|----------|-----------------------|
| DATE     | 5/05                  |
| DESIGNED | E. J. GIERING         |
| DRAWN    | A. GREMILLION/P. COLE |
| CHECKED  | C. LAFLEUR            |
| APPROVED | E. J. GIERING         |

PLAN & DETAILS LITTER STORAGE BUILDING  
 TYPE B FOUNDATION FOR PREFAB METAL FRAME  
 LANDOWNER \_\_\_\_\_ PARISH, LOUISIANA

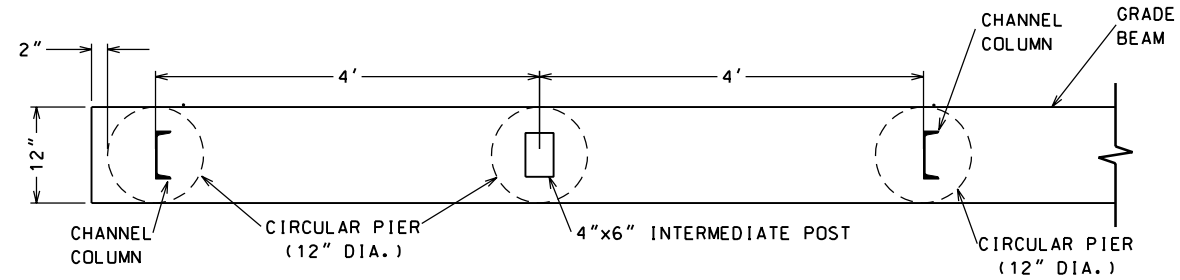


|              |            |          |                |
|--------------|------------|----------|----------------|
| FILE NAME    | LA S-6-55  |          |                |
| DRAWING NAME | FIG.S-6-55 |          |                |
| NO.          | DATE       | APPROVED | TITLE          |
|              |            |          | 00/00/00 00:00 |
| SHEET 1 OF 3 |            |          |                |

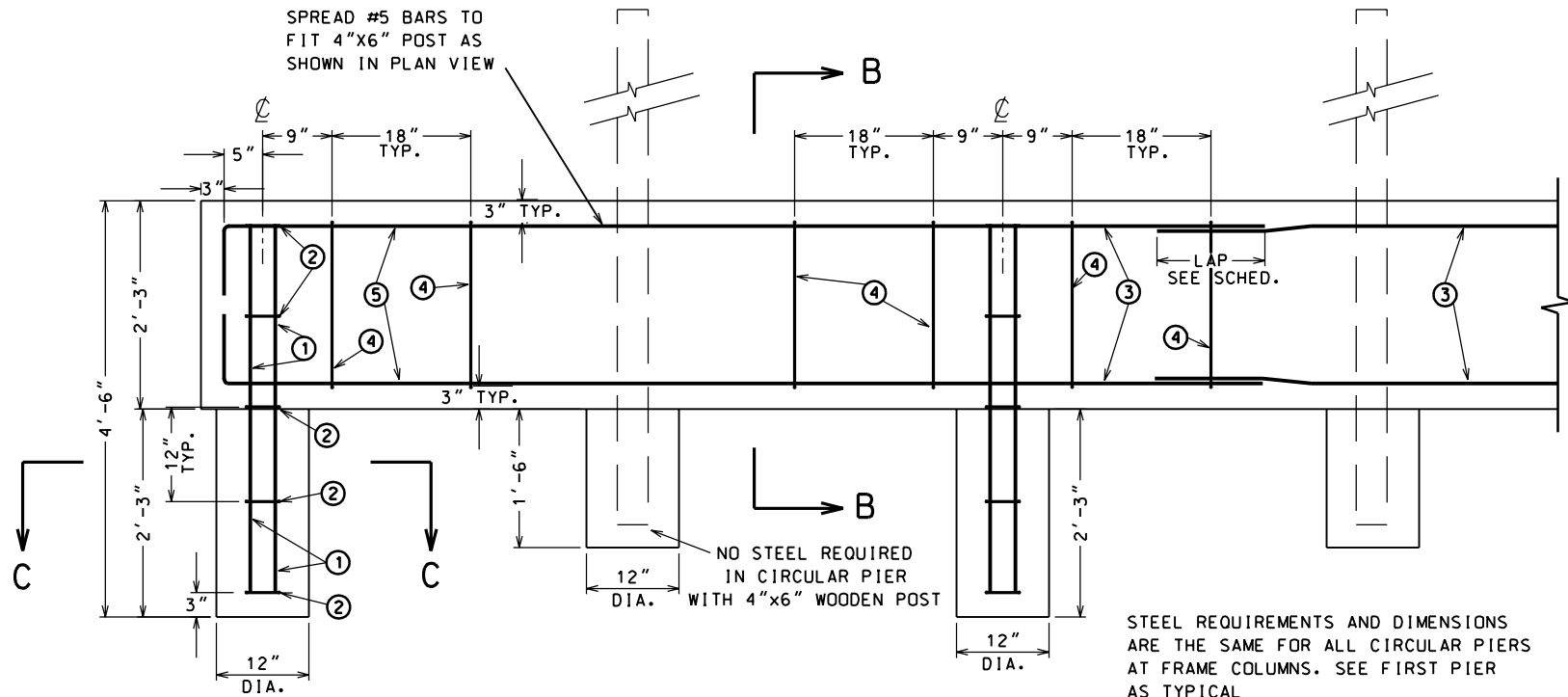


- GENERAL NOTES:**
- Wind loads were calculated as required by "THE STANDARD BUILDING CODE 1999" for 90 MPH wind load.
  - Design soil bearing capacity is assumed to be 1500 PSF.
  - This design is only for use in constructing the footings, and the internal litter storage or composter bin components. It in no way constrains the adequacy of the building frame which is designed by other entities. Building frame to be attached to footings as per designer's recommendations.
  - The foundation design shown hereon has been based on a 40' span, 4:12 roof pitch, a minimum roof live load of 10 psf, no earthquake loading factor, 10' eave height, 8' frame spacing & a 5' high dry stacked litter load on the side walls. For conditions other than these contact the area engineer.
- CONSTRUCTION NOTES:**
- Construction site shall be cleared of all trees, roots, brush, and debris. Unsuitable foundation soils shall be removed from the construction site and replaced with suitable compacted earthfill.
  - All lumber shall be Southern Yellow Pine No. 2 or better.
  - All lumber, with the exception of purlins, shall be pressure treated to a minimum retention of 0.4 p.c.f. ACQ or CCA (Type A, B, or C), or 0.41 p.c.f. CBA-A, or 0.21 p.c.f. CA-B.
  - All concrete shall have a minimum strength of 3000 p.s.i. and reinforcing steel shall be grade 60.
  - The bottom grade of all concrete footings shall be a minimum of 2.0' below the undisturbed parent soil.
  - Lumber for litter storage walls shall have a minimum 2" nominal thickness.
  - All nails and screws in contact with ACQ, CBA-A or CA-B treatments shall be hot-dipped galvanized or stainless steel. All others shall be zinc-coated.
  - Boards for litter storage wall shall be attached to steel columns by welding a 1/8" x 4" x 6" steel plate to the column. Four holes shall be drilled at each of the four plate corners. Boards shall be fastened to the plate using 1/4" lag screws. (See Steel Plate Attachment Detail)
  - Coal tar epoxy paint shall be applied to steel plates and columns to a height equal to that of the top board of the litter storage wall.

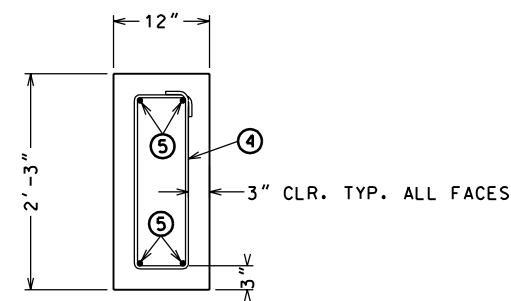
PATTERN OF ALTERNATING FRAME COLUMN AND WOODEN POST AT 4' CC REPEATS THROUGH LENGTH OF GRADE BEAM.



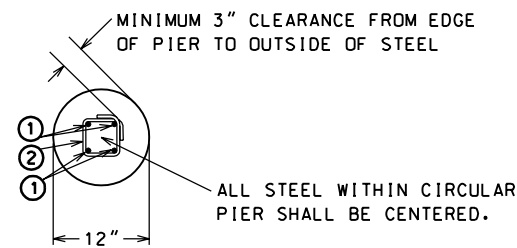
**GRADE BEAM - PLAN VIEW**



**GRADE BEAM - ELEVATION VIEW**



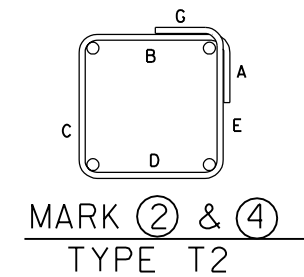
**SECTION "B-B"**



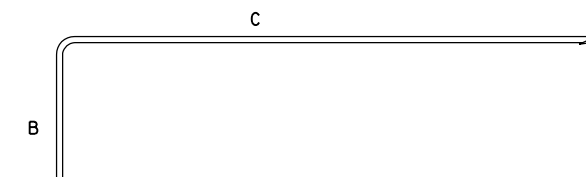
**SECTION "C-C"**

| MARK | SIZE | QUANTITY        | TYPE | BAR LENGTH | A      | B      | C      | D      | E      | G      | LAP | UNIT WT. |
|------|------|-----------------|------|------------|--------|--------|--------|--------|--------|--------|-----|----------|
| 1    | #5   | 4 PER CIR. PIER | STR. | 4'-0"      |        |        |        |        |        |        |     | 1.043    |
| 2    | #3   | T.B.D.          | T2   | 1'-9 1/2"  | 2 1/4" | 4 1/4" | 4 1/4" | 4 1/4" | 4 1/4" | 2 1/4" |     | 0.376    |
| 3    | #5   | 4 PER GRD. BEAM | STR. | CONT.      |        |        |        |        |        |        | 14" | 1.043    |
| 4    | #3   | T.B.D.          | T2   | 4'-10 1/2" | 2 1/4" | 21"    | 6"     | 21"    | 6"     | 2 1/4" |     | 0.376    |
| 5    | #5   | T.B.D.          | BENT | 11'-3"     |        | 9"     | 10'-6" |        |        |        | 14" | 1.043    |

**STEEL SCHEDULE PER GRADE BEAM & CIRCULAR PIER**



MARK ② & ④  
TYPE T2



MARK ⑤  
BENT

DETAILS LITTER STORAGE BUILDING  
TYPE A FOUNDATION FOR PREFAB METAL FRAME  
LANDOWNER \_\_\_\_\_

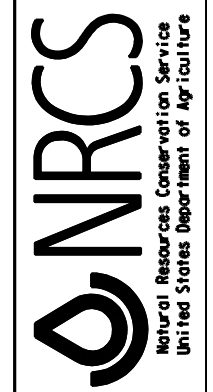
DESIGNED E. J. GIERING 9/03  
DRAWN A. G. & P. C. 9/03  
CHECKED B. STICKER 9/03  
APPROVED E. J. GIERING 04/05



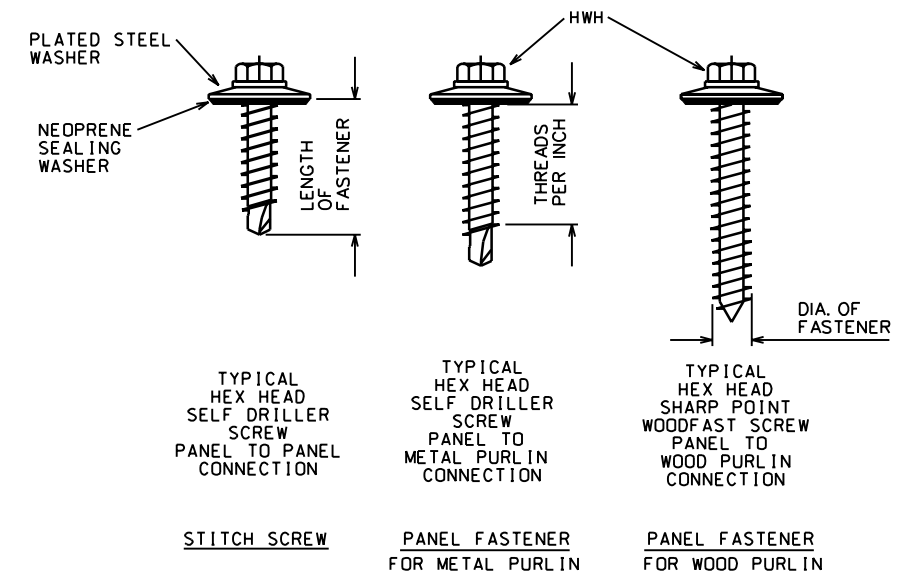
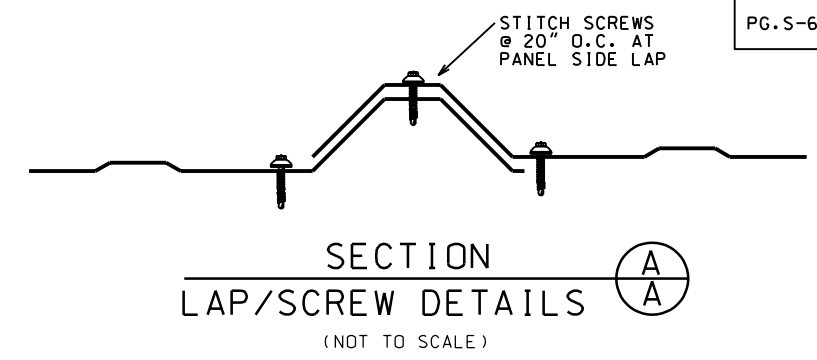
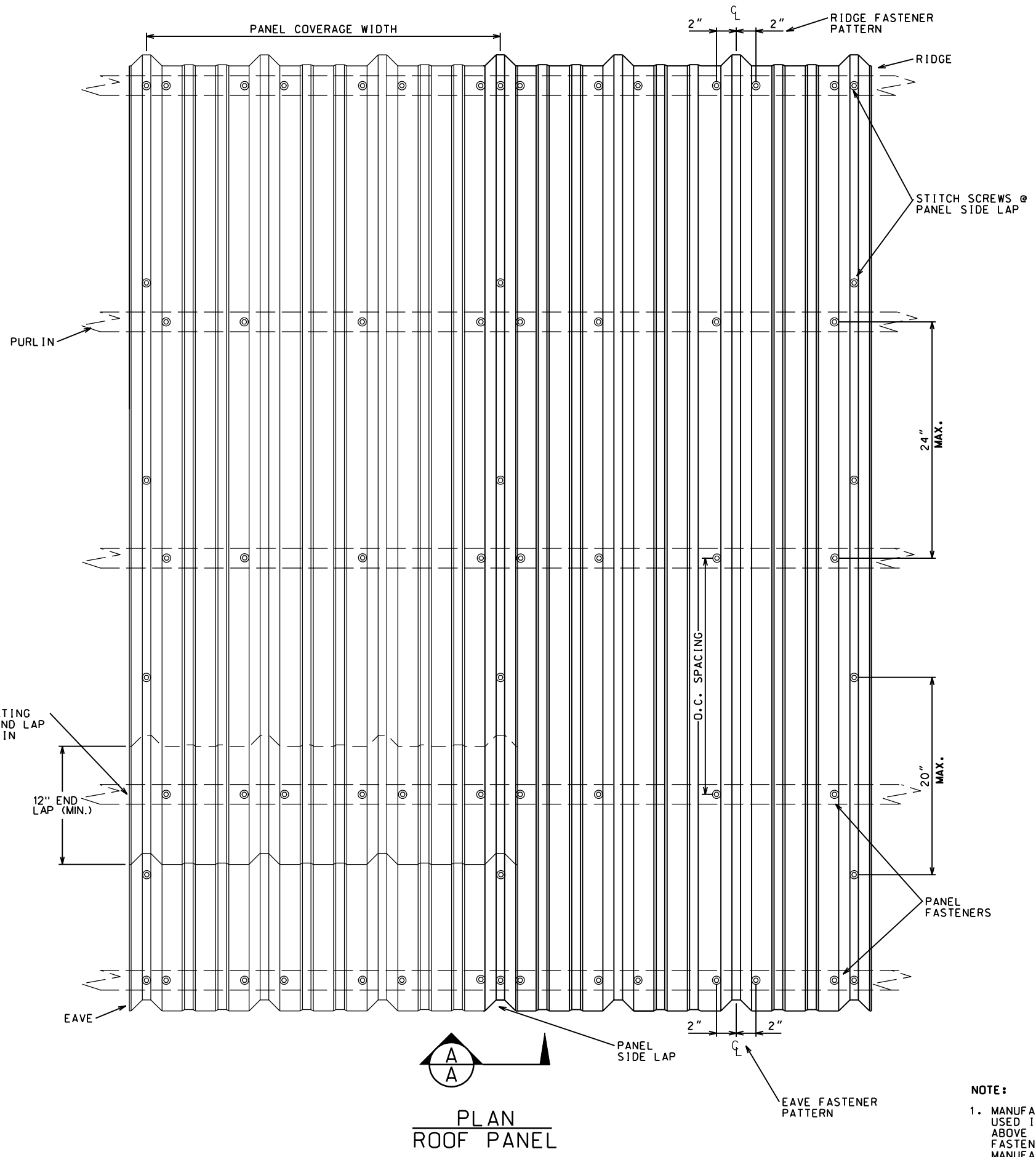
FILE NAME LA S-6-55  
DRAWING NAME FIG. S-6-55  
NO. DATE APPROVED TITLE  
00/00/00 00:00  
SHEET 2 OF 3

|          |               |
|----------|---------------|
| DATE     | 04/05         |
| DESIGNED | C. E. LAFLEUR |
| DRAWN    | P. COLE       |
| CHECKED  | M. KENNEDY    |
| APPROVED | E. J. GIERING |

METAL ROOF PANEL FASTENING DETAILS  
 LITTER STORAGE FOR 90 MPH WIND  
 UTILIZING PRE-FAB METAL FRAME  
 LANDOWNER \_\_\_\_\_ PARISH, LOUISIANA



|              |             |          |       |
|--------------|-------------|----------|-------|
| FILE NAME    | LA S-6-55   |          |       |
| DRAWING NAME | FIG. S-6-55 |          |       |
| NO.          | DATE        | APPROVED | TITLE |
|              | 00/00/00    | 00/00    |       |
| SHEET 3 OF 3 |             |          |       |



**FASTENER Nomenclature:**

- EXAMPLE: NO. 12-14 X 1" HWH  
 \* NO. 12 - DIAMETER OF FASTENER (HIGHER THE NUMBER THE LARGER THE DIAMETER)  
 \* 14 - THREADS PER INCH, (TP1)  
 \* 1" - LENGTH OF FASTENER  
 \* HWH - HEX WASHER HEAD

**FASTENER AND STICH SCREW SIZES:**

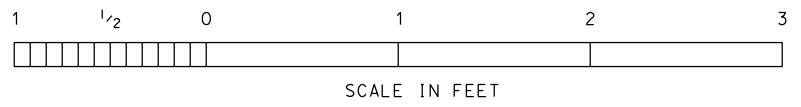
1. STICH SCREW SHALL BE NO. 14 X 3/4" HWH
2. PANEL FASTENERS SHALL BE NO. 12-14 X 1" HWH
3. WOODFAST SCREW SHALL BE NO. 9-15 X 1 1/2" HWH
4. ALL FASTENERS SHALL HAVE A SEPERATE 3/8" O.D. PLATED STEEL WASHER AND A BONDED NEOPRENE SEALING WASHER.

**FASTENER SPACING:**

1. EAVE AND RIDGE FASTENER PATTERN SHALL BE 2 INCHES FROM THE CL OF THE PANEL RIDGE ON EACH SIDE OF PANEL RIDGE.
2. STICH SCREW SPACING SHALL BE 20" O.C. (MAX) AT PANEL SIDE LAP.
3. PANEL TO PURLIN FASTENER SPACING SHALL BE ON ONE SIDE OF PANEL RIDGE EXCEPT AT PANEL END AND SIDE LAPS.

**NOTE:**

1. MANUFACTURERS RECOMMENDATIONS MAY BE USED IN LIEU OF THE SPECIFICATIONS STATED ABOVE IF THE MANUFACTURER SUPPLIES WRITTEN FASTENING PATTERN DETAILS OR IF THE MANUFACTURER'S WARRANTY COULD BE VOIDED.
2. THE MANUFACTURERS RECOMMENDATIONS SHALL BE SUBMITTED IN WRITING TO THE LOCAL NRCS FIELD OFFICE PRIOR TO CONSTRUCTION.
3. FASTENER SIZES AND ATTACHMENT REQUIREMENTS SHALL MEET MANUFACTURER'S RECOMMENDATIONS.



|                   |           |
|-------------------|-----------|
| STANDARD DWG. NO. | LA S-6-55 |
| DATE              | 04/05     |
| SHEET             | 3 OF 3    |