

DESIGNED	E. J. GIERING	DATE	7/09
DRAWN	A. CREMILLION		7/09
CHECKED	M. KENNEDY		7/09
APPROVED	E. J. GIERING		7/09

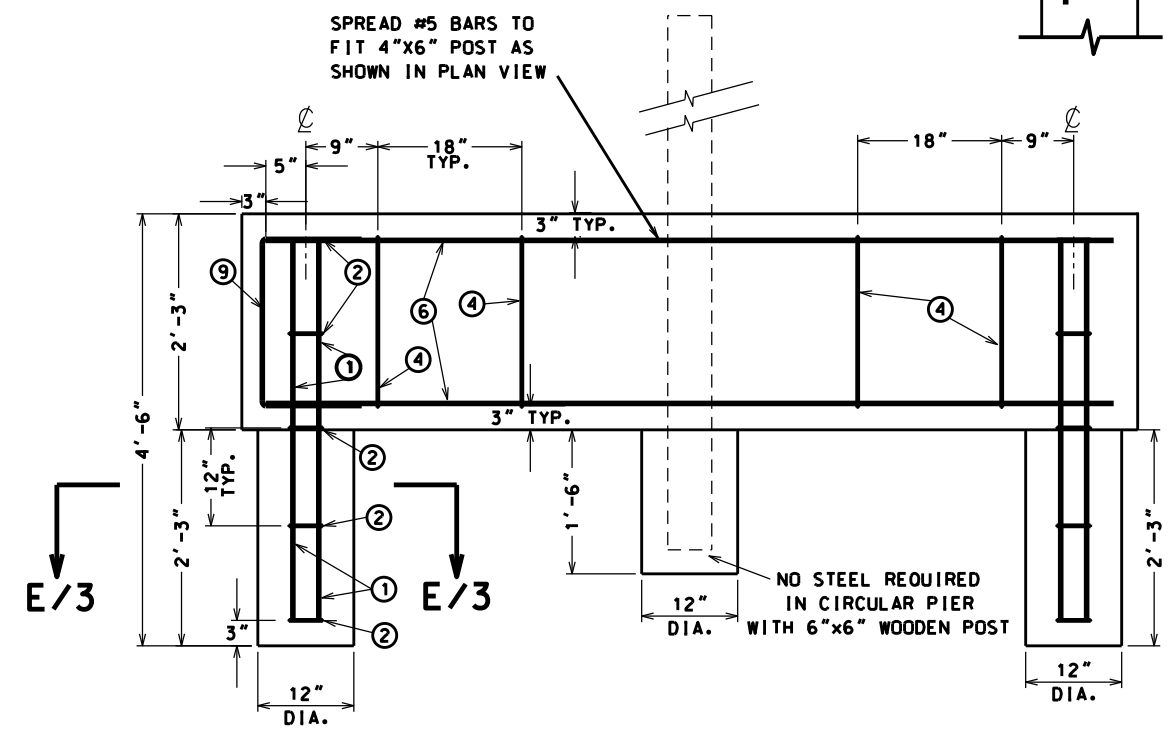
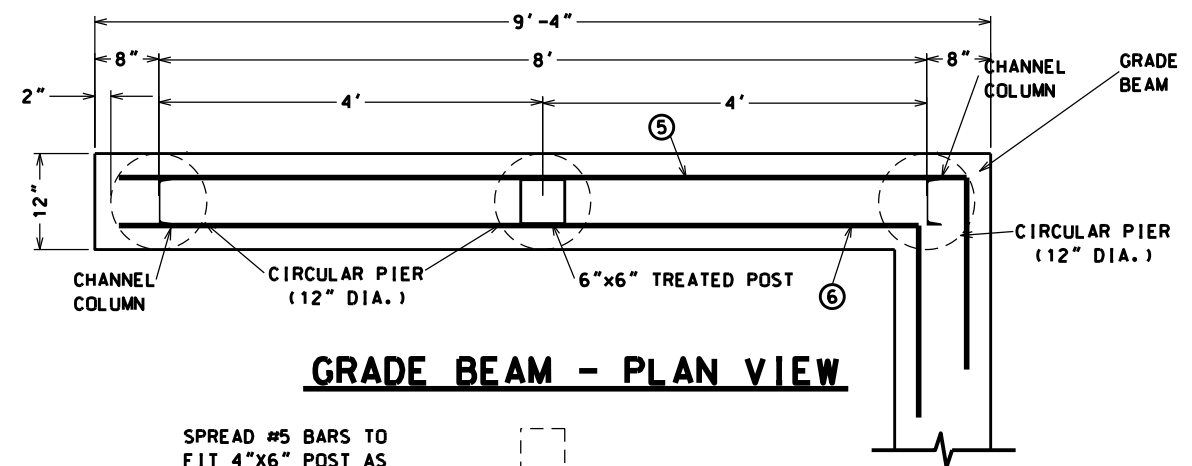
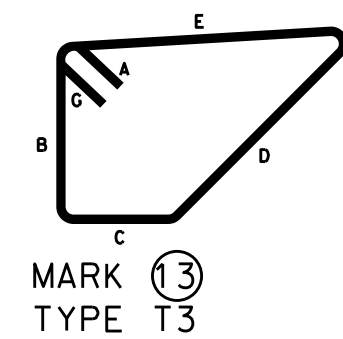
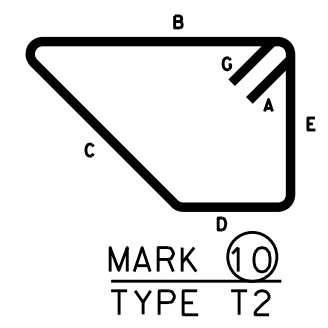
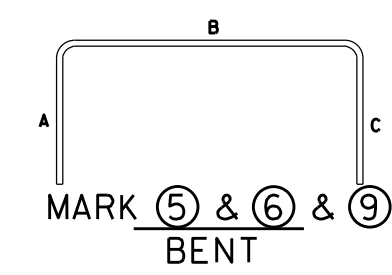
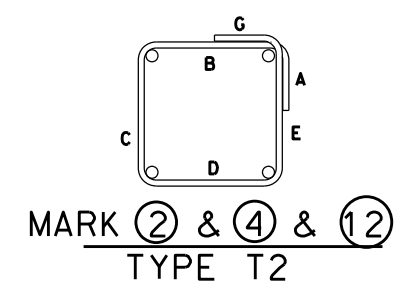
CONCRETE HEAVY USE AREA FOR WINTER FEEDING TYPICAL DRAWING



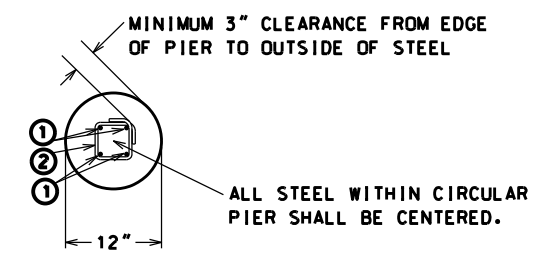
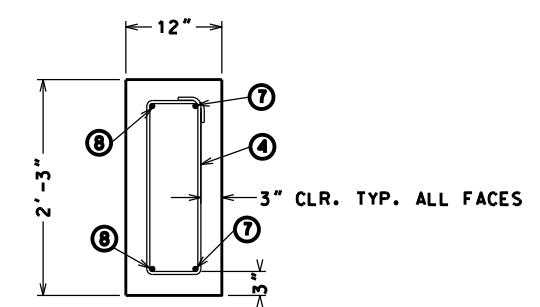
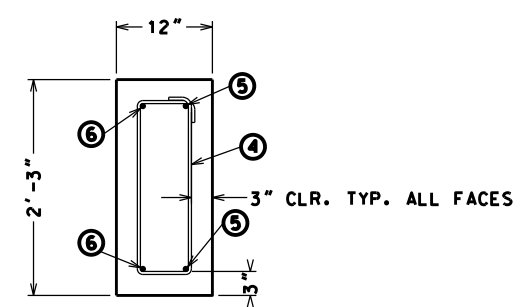
FILE NAME	LA S-6-59
DRAWING NAME	FIG. S-6-59
DATE	00/00/00 00:00
SHEET	3 OF 4

MARK	SIZE	QUANTITY	TYPE	BAR LENGTH	A	B	C	D	E	G	LAP	UNIT WT.
1	#5	4 PER CIR. PIER	STR.	4'-0"								1.043
2	#3	T.B.D.	T2	1'-9 1/2"	2 1/4"	4 1/4"	4 1/4"	4 1/4"	4 1/4"	2 1/4"		0.376
3	#6	T.B.D.	STR.	CONT.							14"	1.043
4	#3	T.B.D.	T2	4'-10 1/2"	2 1/4"	21"	6"	21"	6"	2 1/4"		0.376
5	#5	T.B.D.	BENT	10'-10"	24"	8'-10"						1.043
6	#5	T.B.D.	BENT	10'-4"	24"	8'-4"					14"	1.043
7	#5	T.B.D.	STR.	25'-6"							14"	1.043
8	#5	T.B.D.	STR.	24'-6"							14"	1.043
9	#3	T.B.D.	BENT	3'-9"	12"	21"	12"					0.376
10	#3	T.B.D.	T2	3'-3"	2 1/4"	12"	10 1/2"	5"	7"	2 1/4"		0.376
11	#5	T.B.D.	STR.	25'-0"							14"	1.043
12	#3	T.B.D.	T2	3'-6 1/2"	2 1/4"	13"	6"	13"	6"	2 1/4"		0.376
13	#3	T.B.D.	T3	3'-6"	2 1/4"	7"	5"	11 1/2"	13"	2 1/4"		0.376

STEEL SCHEDULE PER GRADE BEAM & CIRCULAR PIER



STEEL REQUIREMENTS AND DIMENSIONS ARE THE SAME FOR ALL CIRCULAR PIERS AT FRAME COLUMNS. SEE FIRST PIER AS TYPICAL



REVISIONS			
NO.	DATE	APPROVED	TITLE