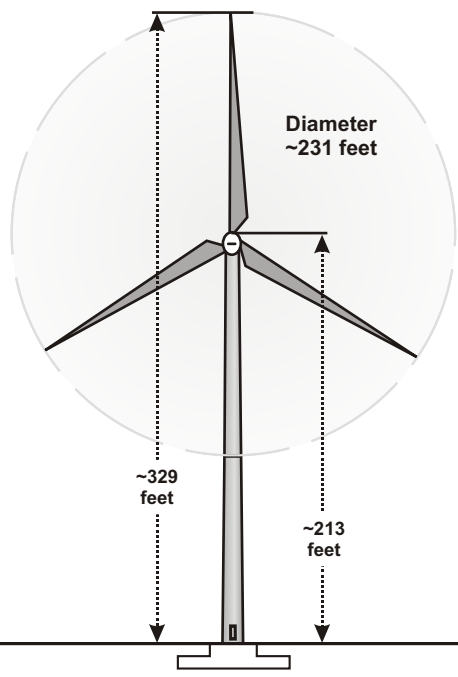
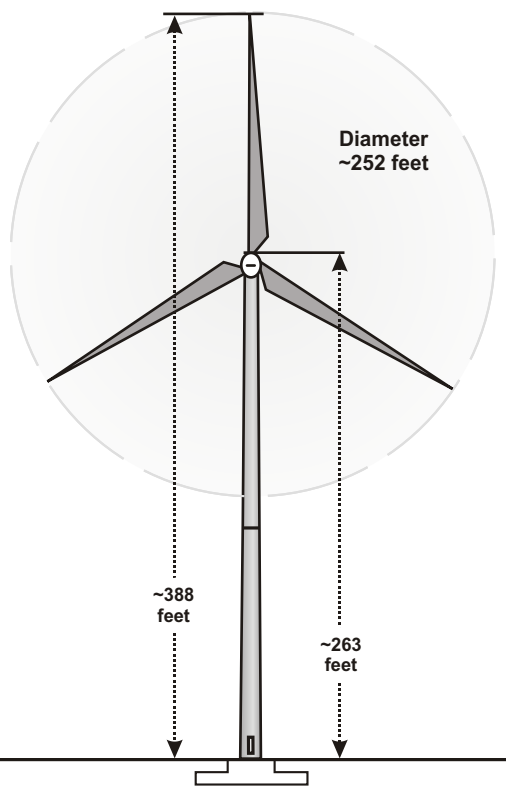


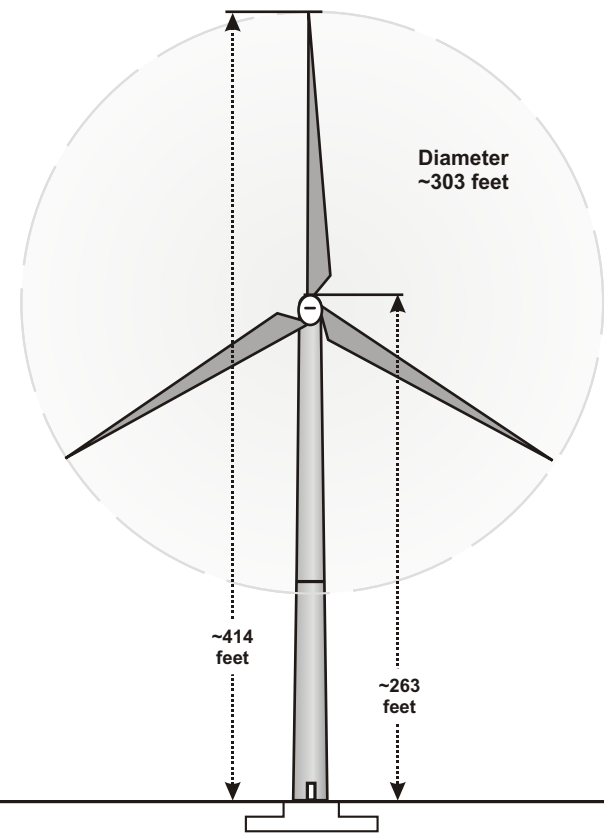
Klondike I:
1.5-MW Turbines
(Existing)



Klondike III:
1.5-MW Turbines



Klondike III:
2.4-MW Turbines



Biglow Canyon:
3.0-MW Turbines

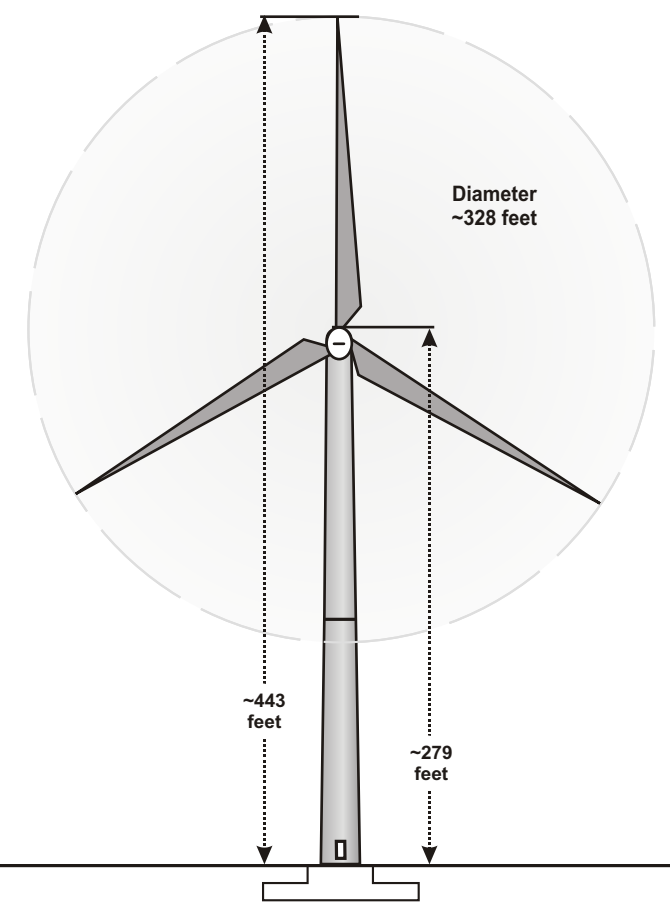


Figure 2 Proposed Wind Turbines