

# Chapter 5

## How to Complete the OGOR

This chapter discusses the Oil and Gas Operations Report (OGOR), Form ONRR-4054, Parts A, B, and C. Topics include detailed instructions on completing each field on the OGOR-A, OGOR-B, and OGOR-C, as well as examples of the following types of reporting situations:

- OGOR Combined Onshore/Offshore examples begin on page 5-21.
- Correction OGOR examples begin on page 5-71.
- OGOR Onshore examples begin on page 5-76.
- OGOR Offshore examples begin on page 5-105.

### 5.1 OGOR Overview

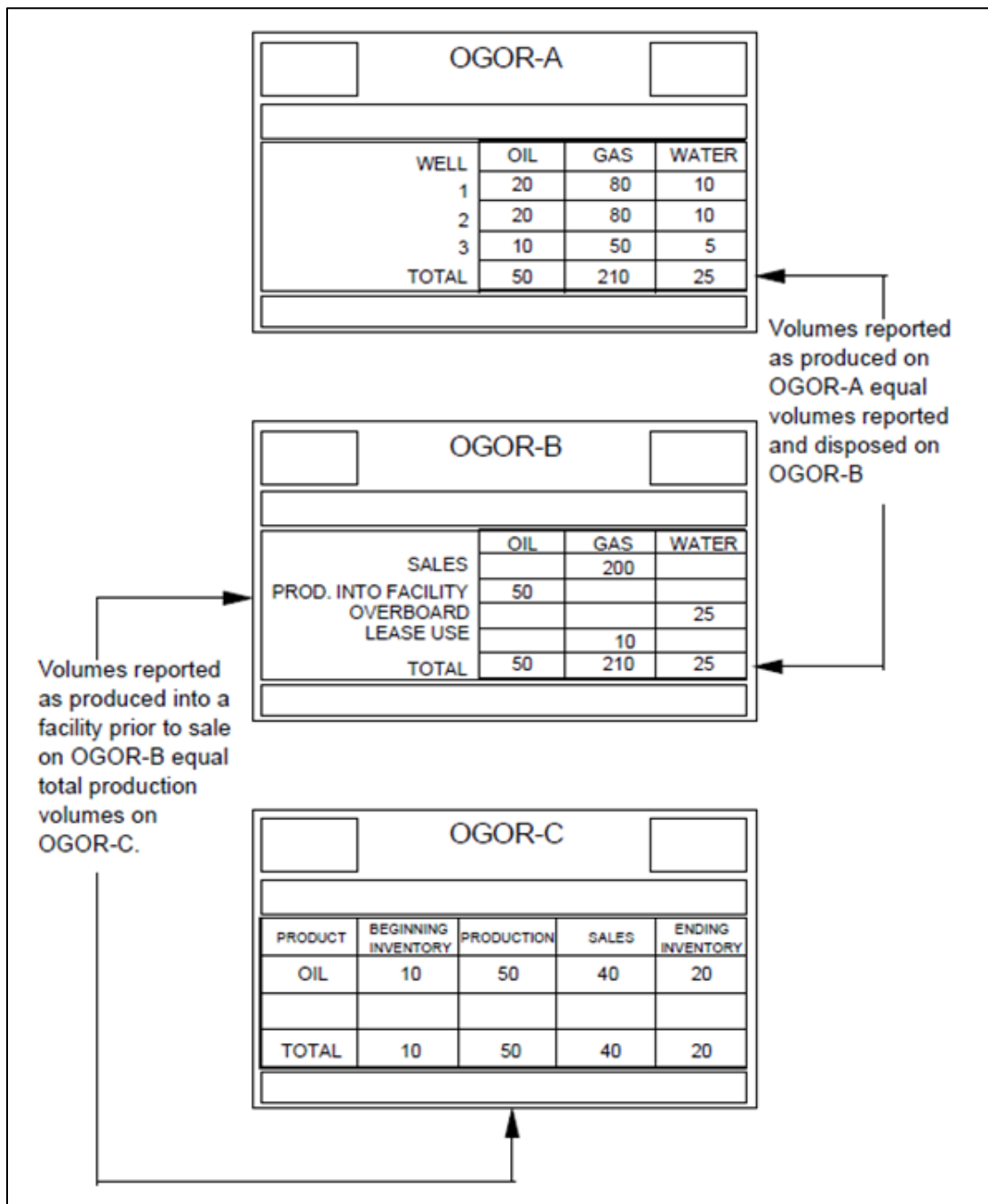
The OGOR is a summary of all operations conducted on a lease/agreement during a specific production month. The OGOR consists of three parts:

- The **OGOR-A** accounts for all production and injection data on a lease/agreement by well and producing interval, including well status. The OGOR-A identifies the status and volumes for each well on a lease/agreement for which you are responsible.
- The **OGOR-B** accounts for the total disposition of lease/agreement production for each product produced on OGOR-A. Disposition may include direct sales, transfers, and lease/agreement use.
- The **OGOR-C** accounts for production and sales attributable to a lease/agreement produced into inventory before the production is sold from a storage facility. It identifies beginning inventories, ending inventories, production, sales, and adjustments.

See Figure 5-1 to understand how the three OGOR parts relate to each other.

5 How to Complete the OGOR

Figure 5-1 Relationships between OGOR Parts



## 5.2 Field-by-Field Instructions

This section explains how to complete each field on the OGOR. The fields on the sample OGORs in **Figure 5-2** on page 5-5, **Figure 5-3** on page 5-10, and **Figure 5-4** on page 5-14 are sequentially numbered and keyed to the instructions that follow the figure.

### NOTE

On the sample OGORs in **Figure 5-2** on page 5-5, **Figure 5-3** on page 5-10, and **Figure 5-4** on page 5-14, the number in parentheses following a field title indicates the maximum number of characters you can enter in that field. For example, Operator Name (30) indicates that the Operator Name field can accommodate no more than 30 characters.

### NOTE

All volumes are to be reported in **whole** numbers, rounded according to conventional standards. The OGOR is required monthly (unless a different frequency is previously approved by ONRR and BLM) for all designated operators of a Federal or Indian lease, unit, or communitization agreement that contains wells not permanently plugged and abandoned, has ending inventory and/or not terminated.

### 5.2.1 Identification Information

This section of the OGOR describes the reporter and the reported entity for a specific period. It is to be completed on all pages of a multi-page/multi-part report for each report entity. This information is the same on all Parts A, B, and C.

Field no.	Field title and description
1	<b>Reporter Use</b> This field is reserved for your use (paper reports only).
2	<b>Indian</b> Mark the <b>Indian</b> field for Indian leases or agreements that contain both Federal and Indian leases (paper reports only).
3	<b>ONRR use</b> This field is reserved for our use (paper reports only).
4	<b>Report Type (1)</b> Mark the <b>Original</b> field if this is the first time you are submitting the report for the report entity. A report entity is made up of production month, ONRR operator number, and either the ONRR or Agency lease/agreement number. Mark the <b>Modify</b> field if the information modifies a previously submitted report; that is, deletes the original line(s) reported and adds the line(s) back in with the corrected

## 5 How to Complete the OGOR

Field no.	Field title and description
	<p>data, or adds a line that was not originally reported. Mark the <b>Replace</b> field if the information is overlaying a previously submitted report; that is, submission replaces the existing report entirely. Mark only <b>one</b> field.</p>
5	<p><b>ONRR Lease/Agreement Number (11)</b></p> <p>Enter the ONRR-assigned number for the report entity. This field can accommodate up to 11 characters. If 11 characters are not applicable, leave the last character blank. This field is not required if you enter the agency lease/agreement number.</p> <p><b>Agency Lease/Agreement Number (25).</b></p> <p>Enter the agency-assigned number (BLM, BIA, or BOEM/BSEE number) for the report entity. This number is not required if you enter the ONRR lease/agreement number. For an onshore lease or communitization agreement, enter the BLM- or BIA-assigned number. For an onshore <b>unit</b> agreement, enter the BLM- or BIA-assigned agreement number if approved after January 1, 1988; otherwise, enter the ONRR-assigned number. (See <b>Appendix B.</b>)</p>
6	<p><b>Production Month (6)</b></p> <p>Enter the code for the month and year of production being reported. For example, enter April 2012 as 042012. (See <b>Appendix C.</b>)</p>
7	<p><b>ONRR Operator Number (5)</b></p> <p>Enter the ONRR-assigned operator ID number for the report entity. (See <b>Appendix A</b> for offshore operator numbers.)</p>
8	<p><b>Operator Name (30)</b></p> <p>Enter the name of the lease/agreement operator.</p>
9	<p><b>Operator Lease/Agreement Name (30)</b></p> <p>Enter the lease/agreement name; for example, Ship Shoal 190 or Acorn Bend No. 2.</p>
10	<p><b>Operator Lease/Agreement Number (20)</b></p> <p>Enter the operator's internal identification number for the lease/agreement, which is useful to us when communicating with you.</p>

Figure 5-2 OGOR-A

OMB Control Number 1012-0004  
OMB Approval Expires 12/31/2015

U.S. DEPARTMENT OF THE INTERIOR  
Office of Natural Resources Revenue

**OIL AND GAS OPERATIONS REPORT  
PART A - WELL PRODUCTION  
(OGOR-A)**

REPORTER USE: 1

ONRR USE: 3

INDIAN  2

REPORT TYPE: 4 ORIGINAL 5 OR AGENCY LEASE/AGREEMENT NUMBER: (25)

MODIFY (DELETE/ADD BY LINE)

REPLACE (OVERLAY PREVIOUS REPORT)

PRODUCTION MONTH: (6) MMDDCCYY 6 ONRR OPERATOR NUMBER: (30) 8 OPERATOR LEASE/AGREEMENT NUMBER: (20) 10

OPERATOR LEASE/AGREEMENT NAME: 9 OPERATOR LEASE/AGREEMENT NUMBER: (20) 10

LINE NUMBER	ACTION CODE (1)	PI WELL NUMBER (12)			PRODUCTION INTERVAL (6)	WELL STATUS CODE (5)	PRODUCES (2)	PRODUCTION VOLUMES				INJECTION VOLUME (BBL/MCF) (9)	
		STATE (2)	COUNTY (3)	SEQUENCE (5)				WATER (BBL) (9)	GAS (MCF) (9)	OIL/CONDENSATE (BBL) (9)	WATER (BBL) (9)		
1													
2													
3													
4													
5													
6													
7													
8													
9													
10													
TOTAL PRODUCTION (8)													
TOTAL INJECTION (8)													

OPERATOR WELL NUMBER (15) 15 WELL STATUS CODE (5) 16 OIL/CONDENSATE (BBL) (9) 18 GAS (MCF) (9) 19 WATER (BBL) (9) 20 INJECTION VOLUME (BBL/MCF) (9) 21

DATE: (8) MMDDCCYY 28 TELEPHONE NUMBER: (10) ( ) ( ) ( ) ( ) ( ) ( ) ( ) ( ) 25 EXTENSION NUMBER: (5) ( ) ( ) ( ) ( ) ( ) ( ) ( ) ( ) ( ) 26

AUTHORIZING SIGNATURE: 27 COMMENTS: (60) 29

FORM ONRR-4064-A (Rev. 9/2013) 30 PAGE \_\_\_ OF \_\_\_

## 5 How to Complete the OGOR

5.2.2

### **OGOR-A Detail Information**

This section describes the activities of all wells by producing interval for the report entity. Operators must report all wells no longer in active drilling status until the wells are permanently plugged and abandoned, or the lease is terminated. For onshore, report only until abandoned. If you have test production while the well status is drilling, you must report the well.

<b>Field no.</b>	<b>Field title and description</b>
11	<b>Line Number</b> (4) This is a pre-populated field.
12	<b>Action Code</b> (1) Enter one of the following action codes: <ul style="list-style-type: none"> <li>• Use <b>A</b> (add) to enter new information on an <b>Original</b> report, to add new or revised detail lines on a <b>Modify</b> report, or to add replacement lines on a <b>Replace</b> document for previously submitted reports.</li> <li>• Use <b>D</b> (delete) <i>only</i> on a <b>Modify</b> report to remove a detail line entered on a <b>previously submitted report</b>. Enter the Delete line before the related Add line. The Delete line must match the previously accepted Add line. If you use a <b>D</b>, you must check <b>Modify</b> in field 4. (See <b>Appendix D</b>.)</li> </ul>
13	<b>API Well Number</b> (12) Enter the standard API well number assigned.
14	<b>Producing Interval</b> (3) Enter the code identifying the number of tubing strings and the producing or injection interval of the well. (See <b>Appendix G</b> .)
15	<b>Operator Well Number</b> (15) Enter your internal identification number for the well. We encourage you to use the same well numbers as submitted on the APD, Sundry Notice, and Well Completion/Recompletion Report.
16	<b>Well Status Code</b> (5) Enter the numeric or alphabetic code that identifies the status of the well, plus the reason code and action code if required. (See <b>Appendix H</b> .)

#### **NOTE**

*For well status codes 12, 13, and 14, offshore operators must report a numeric well code and reason code; for well status codes 12 and 13, you must also report an action code. The reason and action codes are optional for onshore operations.*

Field no.	Field title and description
17	<p><b>Days Produced (2)</b></p> <p>Enter the number of days the well was producing or used for injection during the production month. If the well did not produce or inject, enter zero. Any fraction of a day is considered a whole day. <b>Do not default to the number of days in the month.</b> Enter zero if the well status is shut in (electronic reporting requirement).</p>
18	<p><b>Oil/Condensate (bbl) (9)</b></p> <p>Enter the total production volume of oil/condensate in whole barrels (bbl), rounded accordingly (for example, 69.5 barrels is 70 barrels), by API well number producing interval. If the zone does not produce during the month, enter a zero or leave it blank.</p> <p><b>For offshore</b>, this volume includes formation production and any oil injected (for example, load oil and frac oil) and recovered during the reported period.</p> <p><b>For onshore</b>, load oil is NOT reported on OGOR-A. Report only formation production. Correct all oil/condensate volumes to 60 degrees Fahrenheit (°F) and for sediment and water (S&amp;W).</p>
19	<p><b>Gas (Mcf) (9)</b></p> <p>Enter the net volume of all formation gas excluding gas-lift gas, which includes any portion flared or used as fuel in thousand cubic feet (Mcf), for which royalty is due, by API well number producing interval.</p> <p><b>For offshore</b>, this volume includes formation production and any gas injected and any load oil injected (for example, diesel used as load oil) and recovered during the reported period. Enter the Mcf according to the standard conditions specified in the BSEE regulations for offshore production.</p> <p><b>For onshore</b>, report only formation production. Enter the Mcf according to the standard conditions specified in the BLM regulations for onshore production.</p>
20	<p><b>Water (bbl) (9)</b></p> <p>Enter the production volume of water in barrels by API well number producing interval.</p>
21	<p><b>Injection Volume (bbl/Mcf) (9)</b></p> <p>Enter the volume of oil, gas, or water injected into the well. Do not include gas-lift injection volume. Report the source of any injection fluids obtained off-lease in the Comments field.</p>
22	<p><b>Total Production (9)</b></p> <p>We calculate the total oil, gas, and water fields based on the detail volumes entered. If you populate these fields, the entries are replaced by the ONRR-calculated volume(s).</p>

## 5 How to Complete the OGOR

Field no.	Field title and description
23	<p><b>Total Injection</b> (9)</p> <p>We calculate the value of this field based on the detail volumes and well status entered. If you populate this field, that entry is replaced by the ONRR-calculated volume(s).</p>

### 5.2.3

#### **Authorization Information**

This section of the OGOR is required on only the first page of a multi-page/multi-part paper report. Any information you enter in this section on subsequent pages is not entered into our system.

Field no.	Field title and description
24	<p><b>Contact Name</b> (30)</p> <p>Enter the name of the person we should contact if questions arise concerning reported data.</p>
25	<p><b>Telephone Number</b> (10)</p> <p>Enter the area code and telephone number of the company contact named in field 24.</p>
26	<p><b>Extension Number</b> (5)</p> <p>Enter the telephone extension number of the company contact named in field 24, if applicable.</p>
27	<p><b>Authorizing Signature</b></p> <p>Provide the signature or facsimile signature of the person authorized to report the operational data (for paper reports only).</p>
28	<p><b>Date: MMDDCCYY</b> (8)</p> <p>Enter the date (month, day, and year) the report is signed; for example, enter April 4, 2012, as 04042012. If this is a <b>Replace</b> or <b>Modify</b> report, the date must be later than the Original report or the last previously submitted Replace or Modify report for the lease/agreement, Production Month, and Operator Number combination.</p>
29	<p><b>Comments</b> (60)</p> <p>Enter any relevant comments that would aid us in processing your report. For example, "10,000 Mcf CO<sub>2</sub> purchased off-lease for injection." If you checked <b>Modify</b> in field 4, provide the reason for the submission; for example, "Modify report to correct oil production volume." Enter all comments <b>only</b> on the first page of paper reports.</p>



Field no.	Field title and description
30	<p data-bbox="358 241 540 273"><b>Page __ of __</b></p> <p data-bbox="358 294 1422 472"><b>On paper reports</b>, for each report entity, sequentially number each OGOR page in the first blank. In the second blank, enter the total number of OGOR pages submitted. The total must include all OGOR-A, -B, and -C pages. For example, if you submit an OGOR-A, -B and -C, and each part consists of two pages, number the pages <b>1 of 6, 2 of 6, 3 of 6, 4 of 6, 5 of 6, and 6 of 6.</b></p>

**NOTE**

*Staple multipart paper reports (OGOR-A, -B, -C) together for each report entity. Be sure each page is correctly numbered as described above.*

Figure 5-3 OGOR-B

OMB Control Number 1012-0004  
OMB Approval Expires 12/31/2015

U.S. DEPARTMENT OF THE INTERIOR  
Office of Natural Resources Revenue

**OIL AND GAS OPERATIONS REPORT  
PART B - PRODUCT DISPOSITION  
(OGOR-B)**

REPORTER USE

INDIAN  ONRR USE

---

REPORT TYPE:  ORIGINAL  
 MODIFY (DELETE/ADD BY LINE)  
 REPLACE (OVERLAY PREVIOUS REPORT)

ONRR LEASE/AGREEMENT NUMBER: (11) \_\_\_\_\_ OR AGENCY LEASE/AGREEMENT NUMBER: (25) \_\_\_\_\_

PRODUCTION MONTH: (6) MMCCYY \_\_\_\_\_ ONRR OPERATOR NUMBER: (5) \_\_\_\_\_ OPERATOR NAME: (30) \_\_\_\_\_

OPERATOR LEASE/AGREEMENT NAME: (30) \_\_\_\_\_ OPERATOR LEASE/AGREEMENT NUMBER: (20) \_\_\_\_\_

LINE NUMBER	ACTION CODE (1)	DISPOSITION CODE (5)	METERING POINT NUMBER (11)	GAS PLANT NUMBER (11)	API GRAVITY 99.9 (3)	BTU 9999 (4)	DISPOSITION VOLUMES			
							OIL/CONDENSATE (BBL) (9)	GAS (MCF) (9)	WATER (BBL) (9)	
1	32	33	34	35	36	37				
2										
3										
4										
5										
6										
7										
8										
9										
10										
TOTAL DISPOSITIONS (9)										39

---

CONTACT NAME: (First, MI, Last) (30) \_\_\_\_\_ TELEPHONE NUMBER: (10) \_\_\_\_\_ EXTENSION NUMBER: (5) \_\_\_\_\_

AUTHORIZING SIGNATURE \_\_\_\_\_ DATE: (8) MMDDCCYY \_\_\_\_\_ COMMENTS: (60) \_\_\_\_\_

FORM ONRR-455-B (Rev. 5/2013) PAGE    OF

**OGOR-B Detail Information**

This section describes the disposition activity for all production/products for the report entity.

Field no.	Field title and description
31	<p><b>Line Number</b> (4)</p> <p>This is a pre-populated field.</p>
32	<p><b>Action Code</b> (1)</p> <ul style="list-style-type: none"> <li>• Use <b>A</b> (add) to enter new information on an <b>Original</b> report, to add new or revised detail lines on a <b>Modify</b> report, or to add replacement lines on a <b>Replace</b> document for previously submitted reports.</li> <li>• Use <b>D</b> (delete) only on a <b>Modify</b> report to remove a detail line entered on a <b>previously submitted report</b>. Enter the Delete line <b>before</b> the related Add line. The Delete line must match the previously accepted Add line. If you use a <b>D</b>, you must select <b>Modify</b> in field 4. (See <b>Appendix D</b>.)</li> </ul>
33	<p><b>Disposition Code</b> (4)</p> <p>Enter the code that identifies the disposition of the production. <b>Report only one product per line (Appendix I)</b>. A Disposition Code can be used more than once if the metering point number or gas plant number is different.</p>

**NOTE**

*The Disposition Code consists of only two digits. However, the ONRR database has this field reserved for up to four characters.*

34	<p><b>Metering Point Number</b> (11)</p> <p><b>Offshore</b> properties:</p> <ul style="list-style-type: none"> <li>• Enter the BSEE-assigned metering point number (also known as Facility/Measurement Point [FMP] number) when the Disposition Code (Field 33) requires a metering point number as shown in <b>Appendix I</b>. (<b>Appendix J</b> describes FMPs.) For example: <ul style="list-style-type: none"> <li>○ The BSEE-approved meter (FMP) at which the oil or gas royalty volume is determined when the product is sold directly at the well head (Disposition Code <b>01</b> [Sales - Royalty Due - MEASURED]). This does not include production sold from a storage facility (Disposition Code <b>10</b> [Produced into Inventory Prior to Sales]).</li> </ul> </li> </ul>
----	--

## 5 How to Complete the OGOR

Field no.	Field title and description
	<p align="center">– OR –</p> <ul style="list-style-type: none"> <li>○ The BSEE-approved meter (FMP) that measures the volume of production that is transferred for further processing before royalty determination (Disposition Code <b>11</b> [Transferred to Facility] or <b>12</b> [Transferred to Facility - Returned to L/A]).</li> </ul>

**NOTE**

*You must complete this field for certain Disposition Codes. (See **Appendix I.**) If you are submitting a paper report, mark a slash (/) through all zeroes in the sequence portion of the metering point number (FMP).*

	<p><b>Onshore</b> properties—choose <b>one</b> of the following:</p> <ul style="list-style-type: none"> <li>• Enter the BLM-assigned FMP number, when assigned, <b>OR</b></li> <li>• Enter the actual serial number inscribed on the equipment, <b>OR</b></li> <li>• Enter the internal tracking number for the meter/facility, <b>OR</b></li> <li>• Leave this field blank.</li> </ul>
--	---

**NOTE**

*We encourage onshore reporters to report the FMP number when using Disposition Codes **01, 05, 06, 07, 09, 11, 12, or 16.***

35	<p><b>Gas Plant Number</b> (11)</p> <p>Enter the ONRR or BSEE assigned metering point number (FMP type 02) that identifies the onshore gas plant where gas is processed before royalty determination (Disposition Code <b>11</b> [Transferred to Facility] or <b>12</b> [Transferred to Facility — Returned to L/A]) (<b>Appendix I</b> and <b>Appendix J</b>). If you are submitting a paper report, mark a slash (/) through all zeroes in the sequence portion of the metering point number. For a current gas plant listing, see the ONRR Web site listed in <b>Appendix O</b>.</p>
36	<p><b>API Gravity</b> (3)</p> <p>Enter the API gravity of oil/condensate. Enter the API gravity with one decimal point at standard conditions specified in the BLM or BSEE regulations for onshore and offshore production. For example, enter 62.22 corrected API gravity as 62.2.</p>
37	<p><b>Btu</b> (4) Enter the Btu quality of gas sold or transferred to a facility. Enter the Btu quality as a whole number at standard conditions specified in the BLM or BSEE regulations for onshore and offshore production. For example, enter 1,102.89 Btu as 1103. (See example of weighted average calculation on <b>page Glossary-12.</b>)</p>

**NOTE**

*Report gas volumes and Btu heating values, if applicable, under the same degree of water saturation as specified in the BLM or BSEE regulations for onshore and offshore production.*

Field no.	Field title and description
38	<p><b>Disposition Volumes (bbl/Mcf) (9)</b></p> <p>Enter the volume in the appropriate column for the product disposed. For oil/condensate, enter barrels corrected for temperature and basic sediment and water (BS&amp;W) according to the standard conditions specified in the BLM or BSEE regulations for onshore and offshore production.</p> <p>For gas, enter Mcf corrected for temperature and pressure base according to the standard conditions specified in the BLM or BSEE regulations for onshore and offshore production.</p> <p>For water, enter whole barrels.</p>

**NOTE**

*Enclose all negative numbers on paper reports in angle brackets; for example, <1000>.*

39	<p><b>Total Dispositions (Oil/Gas/Water) (9)</b></p> <p>The eCommerce system calculates these fields based on the detail volumes entered. If you change these fields, your entries are replaced by the eCommerce-calculated total volume(s).</p>
----	--

5 How to Complete the OGOR

Figure 5-4 OGOR-C

OMB Control Number 1012-0004  
OMB Approval Expires 12/31/2016

U.S. DEPARTMENT OF THE INTERIOR  
Office of Natural Resources Revenue

**OIL AND GAS OPERATIONS REPORT  
PART C - PRODUCT INVENTORY  
(OGOR-C)**

REPORTER USE INDIAN  ONRR USE

---

REPORT TYPE:  ORIGINAL  MODIFY (DELETE/ADD BY LINE)  REPLACE (OVERLAY PREVIOUS REPORT)  AGENCY LEASE/AGREEMENT NUMBER: (25)

PRODUCTION MONTH: (6) MMCCYY  ONRR OPERATOR NUMBER: (6)  OPERATOR NAME: (30)

OPERATOR LEASE/AGREEMENT NAME: (30)  OPERATOR LEASE/AGREEMENT NUMBER: (20)

LINE NUMBER (1)	ACTION CODE (1)	INVENTORY STORAGE POINT NUMBER (11) <b>43</b>	METERING POINT NUMBER (11) <b>44</b>	API GRAVITY 96.9 (3) <b>45</b>	BEGINNING INVENTORY (BBL) (9) <b>46</b>	PRODUCTION (BBL) (9) <b>47</b>	SALES (BBL) (9) <b>48</b>	ADJUSTMENTS		ENDING INVENTORY (BBL) (9) <b>51</b>
								CODE (4) <b>49</b>	VOLUME (BBL) (9) <b>50</b>	
1										
2										
3										
4										
5										
6										
7										
8										
9										
10										
<b>TOTALS (9) <b>52</b></b>										

---

CONTACT NAME: (First, MI, Last) (30)  TELEPHONE NUMBER: (10)

AUTHORIZING SIGNATURE:  DATE: (8) MMDDCCYY  COMMENTS: (80)

EXTENSION NUMBER: (5)

FORM ONRR-4054-C (Rev. 6/2013) PAGE \_\_\_\_ OF \_\_\_\_

**OGOR-C Detail Information**

This section describes the inventory activity for all oil/condensate and CO<sub>2</sub> production for the report entity.

Field no.	Field title and description
40	<p><b>Line Number</b> (4)</p> <p>This is a pre-populated field.</p>
41	<p><b>Action Code</b> (1)</p> <p>Enter <b>one</b> of the following action codes:</p> <ul style="list-style-type: none"> <li>• Use <b>A</b> (add) to enter new information on all lines for an <b>Original</b> report or Replace documents for previously submitted reports, or to add new or revised detail lines on a <b>Modify</b> report.</li> <li>• Use <b>D</b> (delete) <u>only on a <b>Modify</b></u> report to inactivate a detail line entered on a <b>previously submitted report</b>. Enter the Delete line <b>before</b> the related Add line. The Delete line must match the previously accepted Add line. If you use a <b>D</b>, you must check <b>Modify</b> in field 4. (See <b>Appendix D</b>.)</li> <li>• In eCommerce, select the appropriate Action Code from the drop down list.</li> </ul>
42	<p><b>Product Code</b> (2)</p> <p>Enter the code identifying the specific product—oil (<b>01</b>), condensate (<b>02</b>), or CO<sub>2</sub> (<b>17</b>) being stored—for the Inventory Storage Point Number. (See <b>Appendix L</b> for more information.) In eCommerce, select the appropriate Product Code from the drop down list.</p>
43	<p><b>Inventory Storage Point Number</b> (11)</p> <p>This field is used to identify a tank or other equipment used for inventory storage.</p> <p>For <b>Offshore</b> properties:</p> <p>Enter the BSEE-assigned FMP number identifying the inventory storage point facility (FMP type code <b>01</b> or <b>05</b>) at which the oil/condensate is stored before sale (<b>Appendix J</b>). If you are submitting a paper report, mark a slash through all zeros (/) in the sequence portion of the FMP number.</p> <p>For <b>Onshore</b> properties—choose <b>one</b> of the following:</p> <ul style="list-style-type: none"> <li>• Enter the BLM-assigned FMP number, when assigned, <b>OR</b></li> <li>• Enter the actual serial number inscribed on the equipment, <b>OR</b></li> <li>• Enter the internal tracking number for the meter/facility, <b>OR</b></li> </ul>

## 5 How to Complete the OGOR

Field no.	Field title and description
	<ul style="list-style-type: none"> <li>• Leave this field blank.</li> </ul>
44	<p><b>Metering Point Number</b> (11)</p> <p>Complete this field only if the royalty volume of oil/condensate is metered and sold at a point downstream of the inventory storage point number.</p> <p>For <b>Offshore</b> properties:</p> <p>Enter the BSEE-approved meter (FMP) that measures the volume of production that is subject to royalty (<b>Appendix J</b>). If you are submitting a paper report, mark a slash (/) through all zeroes in the sequence portion of the FMP number.</p> <p>For <b>Onshore</b> properties—choose <b>one</b> of the following:</p> <ul style="list-style-type: none"> <li>• Enter the BLM-assigned FMP number, when assigned, <b>OR</b></li> <li>• Enter the actual serial number inscribed on the equipment, <b>OR</b></li> <li>• Enter the internal tracking number for the meter/facility, <b>OR</b></li> <li>• Leave this field blank.</li> </ul>
45	<p><b>API Gravity</b> (3)</p> <p>Enter the API gravity of oil/condensate. Enter the API gravity with one decimal point at standard conditions as specified in the BLM or BSEE regulations for onshore and offshore production. For example, enter 62.22 corrected API gravity as 62.2.</p>
46	<p><b>Beginning Inventory</b> (9)</p> <p>Enter the volume of inventory in barrels of oil/condensate or Mcf for CO<sub>2</sub> that existed in the facility at the beginning of the production month (this must equal the ending inventory submitted for the previous production month), applicable to the report entity. This should not include additional inventories that may be maintained in the pipeline</p>
47	<p><b>Production</b> (9)</p> <p>Enter the volume in barrels of oil/condensate or Mcf for CO<sub>2</sub> produced into the facility during the production month, applicable to the report entity.</p>
48	<p><b>Sales</b> (9)</p> <p>Enter the volume in barrels of oil/condensate or Mcf for CO<sub>2</sub> sold from the facility during the production month. In commingling situations, enter only the sales attributable to the report entity being reported.</p>
49	<p><b>Adjustment Code</b> (4)</p> <p>Enter the code that identifies the reason for the inventory adjustment. You must complete this field if you complete field 50, Adjustment Volume. If you leave field</p>



Field no.	Field title and description
	50 blank, also leave this field blank. For multiple adjustments per facility, total the volume, use the code for the largest volume adjustment ( <b>Appendix I</b> ), and provide an explanation in the comments section. In eCommerce select the adjustment code from the drop down list.
<b>NOTE</b>	<i>The Disposition Code consists of only two digits. However, the ONRR database has this field reserved for up to four characters.</i>
50	<p><b>Adjustment Volume (9)</b></p> <p>Enter the volume in barrels of oil/condensate or Mcf for CO<sub>2</sub> of adjustments to inventory, applicable to the report entity. You must complete this field if you completed field 49, Adjustment Code. If you left field 49 blank, also leave this field blank.</p>
<b>NOTE</b>	<i>If the previous operator does not transfer the entire ending inventory to the new operator, the previous operator should continue to report each month until the retained inventory is sold.</i>
<b>NOTE</b>	<i>Enclose all negative numbers on paper reports in angle brackets; for example, &lt;1000&gt;. In eCommerce, enter negative adjustment volumes preceded by a minus (-) sign.</i>
51	<p><b>Ending Inventory (9)</b></p> <p>Enter the volume of inventory in barrels of oil/condensate or Mcf for CO<sub>2</sub> in the facility at the end of the production month, applicable to the report entity.</p>
<b>NOTE</b>	<i>The beginning inventory (field 46) <b>plus</b> the production (field 47), <b>minus</b> the sales volume (field 48), <b>plus</b> or <b>minus</b> the adjustment volume (field 50) must equal the ending inventory (field 51).</i>
52	<p><b>Totals (9)</b></p> <p>The eCommerce system calculates these fields based on the detail volumes entered (click on the Calculate Totals button). If you change these fields, your entries are replaced by the eCommerce-calculated total volume(s).</p>

## 5.3 OGOR Examples

This section contains examples of how to complete an OGOR in a variety of common reporting situations.

### NOTE

*For both onshore and offshore, if you have a situation that is not addressed here, contact us for guidance. See **Appendix O** for contact information.*

### 5.3.1 Highlights of Report Requirements

#### OGOR-A

- If there are multiple operators of a lease/unit, each designated operator is responsible for reporting the information (for example, production and disposition) that pertains to the wells and the portion of the lease/unit they operate.
- Use one line for each API well number/producing interval code/well status code combination.
- If a well is used for both production and injection in the same production month, you must complete two lines. **For offshore wells** injecting oil for load oil, use well status code **10** to report only one line showing producing and injecting volumes. The API well number and the producing interval for the injection well are the same as for the producing well. **Onshore wells cannot use well status 10.** (See **Appendix H.**)
- If the well is producing, complete only the first two digits of the well code.
- If the well code is **12** oil shut-in (OSI), **13** gas shut-in (GSI), or **14** temporarily abandoned (TA), complete the first four characters of the well code. That is, if you are an **offshore** reporter, you must enter the reason code *and* the action code when using well codes **12** and **13**. For **onshore** reporting, the reason and action code are optional, but you must use the numeric well status code. (See **Appendix H.**)
- If gas is injected into a closed gas-lift system, the production volumes are the reported net of the injection volumes; therefore, do not report injection volumes.
- If the source of injected volumes is off lease, note this in the **Comments** field.

## OGOR-B

- Unless all wells on OGOR-A are shut-in, temporarily abandoned, or plugged and abandoned, you must complete OGOR-B.
- You must report only one product on each line; that is, you cannot report sales of oil and gas on the same line.
- Complete the **API Gravity** field only if you sell oil directly from the lease and not from inventory.
- Complete the **Btu** field only if you sell gas directly from the lease and/or transfer it to a facility.
- Complete the **Metering Point Number** field if the Disposition Code requires a metering point (FMP). If you are an onshore OGOR reporter and assigned a meter number, enter the BLM-assigned number.
- If you produce liquids into separate storage tanks, complete only one line with the sum of all production reported using Disposition Code **10** (Produced into Inventory Prior to Sales).
- Injection volumes obtained off lease are not shown on OGOR-B.
- For offshore, if gas is processed at a gas plant prior to royalty determination, complete the **Metering Point Number** field even though you don't sell gas directly from the lease. Report the field-metered volume measured at the Platform FMP, not the volume of residue gas sold from the Gas Plant FMP.
- For onshore, report gas sold subject to arm's-length percentage-of-proceeds (APOP) contracts for **Federal** leases/agreements as a transfer when gas production is transferred to a separation facility or plant facility for processing. Report using Disposition Code **11** (Transferred to Facility), with the corresponding gas plant identification number on the OGOR-B. (See "Dear Reporter" letter dated February 5, 2013.)
- For onshore, report gas sales subject to non-arm's-length percentage-of-proceeds (POP) contracts for Federal leases/agreements as a transfer, Disposition Code **11**, with the corresponding gas plant identification number on the OGOR-B.
- For onshore, report gas sales subject to APOP and non-arm's length POP contracts for Indian leases/agreements as a transfer, Disposition Code **11**, with the corresponding gas plant identification number on the OGOR-B.

### OGOR-C

- Complete an OGOR-C if you produce oil/condensate into a facility prior to sales or if you maintain inventories at a facility, even though there is no activity at the facility during the production month. (For **offshore**, OGOR-C is required for all commingling systems. See Tables on ONRR website (ONRR.gov) or contact the BSEE switchboard at 504-736-0557.

Refer to **Appendix O** for information regarding current listings of commingling systems, or contact the BSEE switchboard at 504-736-0557 to connect with the correct BSEE section, or open <http://www.onrr.gov/ReportPay/references.htm> and look under the **Offshore** heading.

- Complete one line for each facility.
- If the facility handles commingled production, each lease reports only the part of the inventory that is attributable to that lease/unit, not the total inventory for the facility.
- The beginning inventory for each Inventory Storage Point facility must match the ending inventory from the previous production month.
- Complete the **Metering Point Number** field with the appropriate FMP number for offshore properties. For **onshore**, if you are assigned a meter number, enter the BLM-assigned number.
- Enter multiple inventory adjustments for a facility as one entry using the adjustment code of the largest volume adjustment.
- Complete the **API Gravity** field when you sell oil from a facility.

5.3.2

### **OGOR Combined Onshore/Offshore Examples**

#### **The completed OGOR**

- Complete separate OGORs for each lease/agreement and operator per production month.
- Complete the Identification Information section on each page of every paper report (see **Identification Information** on page 5-3).
- The wells are initialized into the financial accounting system by the BSEE Regional offices or BLM offices, and you receive notification on the WELL Confirmation Report located in the ONRR Data Warehouse.
- Complete the Authorization Information section only on the first page of each paper report.
- Submit only the necessary Parts (OGOR-A, -B, and/or -C).

## OGOR-A

- Report production from the wells completed on each lease by API well number/producing interval code combination. All wells for the lease/agreement should be reported for each production month on one OGOR.
- Complete only the first two digits of the well status code for producing wells.
- If offshore wells are shut in, BSEE requires a Reason code and Action code in addition to the well status code (Reason and Action codes are optional for onshore wells).
- Temporarily abandoned status for offshore wells requires a Reason Code only.

## OGOR-B

The OGOR-B accounts for the actual disposition of each product produced and reported on OGOR-A.

## OGOR-C

The OGOR-C accounts for the production into inventory and sales from the inventory storage facility.

### **Example 5-1** Onshore and Offshore—Gas processed at gas plant and residue returned; oil transferred to another storage facility

Key considerations:

- A Federal Unit has four producing oil wells and one gas injection well.
- Oil from Tract 1 is produced into Collection Station 1 and transferred through a Lease Automatic Custody Transfer (LACT) unit to the main sales facility or it is sold at the LACT unit. Gas is metered and then transferred to the gas plant.
- Oil from Tract 2 goes to Collection Station 2. Oil is produced into a surge tank, metered by an allocation meter, and then transferred to the main sales station. Gas is metered and then transferred to the gas plant.
- All of the gas produced in the unit is processed through an on-unit gas plant. The natural gas liquids (NGLs) are sold, and the residue stream is returned to the Unit for injection and production equipment fuel. Additional residue gas is purchased for injection from the gas plant.
- During the production month, 10 barrels of oil were spilled at Collection Station 1.

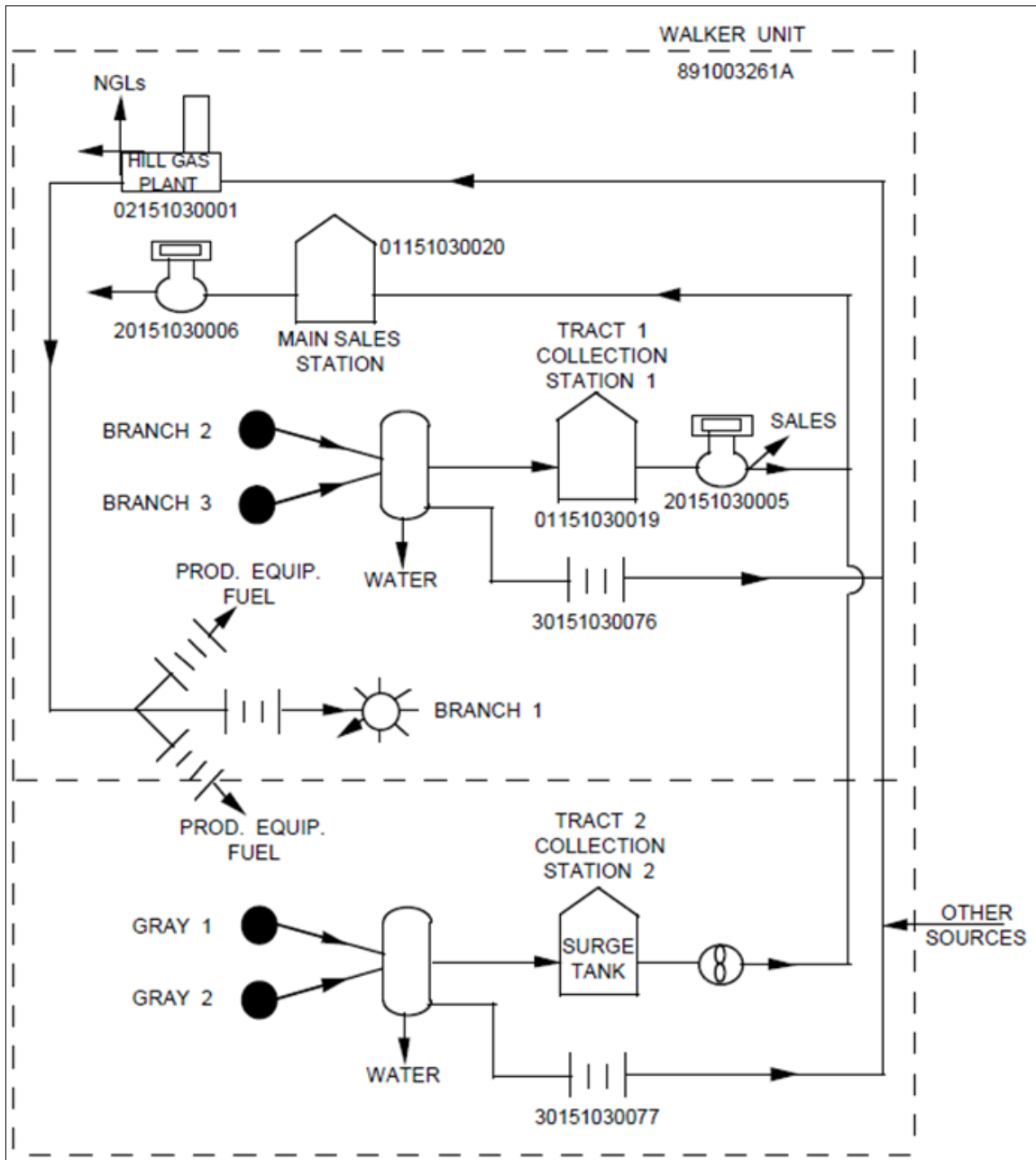
5 How to Complete the OGOR

**Example 5-1**

**Onshore and Offshore—Gas processed at gas plant and residue returned; oil transferred to another storage facility (cont.)**

**NOTE**

*For onshore facilities reported on OGOR-C, volume and quality measurement may occur by tank gauging instead of metering.*



**Example 5-1** Onshore and Offshore—Gas processed at gas plant and residue returned; oil transferred to another storage facility (cont.)

The completed OGORs highlight the following information.

**Identification/Authorization Information**

- Either the ONRR- or Agency-assigned lease/agreement number is entered.
- The **Comments** field contains the volume of off-lease gas used for injection and the spill at the facility reported on OGOR-C.

**OGOR-A**

Total injection for the gas injection well is reported in the **Injection Volume** field.

**OGOR-B**

- Only one line is used to report the total oil volume, as Disposition Code **10** (Produced into Inventory Prior to Sales), even though the Unit uses more than one facility. Metering Point Number and API Gravity are not completed for Disposition Code **10**.
- One line is completed for each royalty volume determination point when using Disposition Code **12** (Transferred to Facility—Returned to L/A). Metering Point, Gas Plant Number, and Btu are required.
- Disposition Code **13** (Transferred from Facility) must be reported when you report Disposition Code **12** (Transferred to Facility—Returned to L/A). Disposition Code **13** reports the volume of residue gas returned to the Unit as a negative number.
- Disposition Code **14** (Injected on L/A) is reported for all unit production reinjected on the unit on one line. This volume includes only the volume of residue gas injected attributable to unit production. No Metering Point number or Btu data is required.
- Disposition Code **20** (Used on L/A — Native Production Only) is reported as the total residue gas attributable to the unit production that was returned and used on the unit for fuel. This is reported on one line and does not require a Metering Point number or API Gravity or Btu data.
- Disposition Code **27** (Water Disposal—Other than Injected/Transferred) is used to report the total water disposition. Even though more than one pit is used within the unit, only one line is reported.

**OGOR-C**

- One line is used to report activity at each facility.
- The **API Gravity** field is completed on both lines because sales occur from both facilities during the production month.

**Example 5-1** Onshore and Offshore—Gas processed at gas plant and residue returned; oil transferred to another storage facility (cont.)

**OGOR-C** (cont.)

- The Adjustments field volume on line 1 is the total adjustment for the facility. It includes the volume of oil transferred (Adjustment Code **11** [Transferred to Facility]) to the main sales facility and a 10-barrel spill. When more than one adjustment is required for a facility, the volumes are summed, the total volume is entered in the Adjustment Volume field, and the Adjustment Code is associated with the largest adjustment volume.
- On line 2, Adjustment Code **13** (Transferred from Facility) is the actual volume of oil transferred into the facility. Transfers between facilities are considered adjustments and should not be included in the production volume for the receiving facility.

**OGOR Fact Sheet**

Identification Information		Authorization Information	
—For electronic reporting, complete on Report Header only —For paper reporting, complete on all pages of the report		—For electronic reporting, complete on Part –A, -B, and/or -C —For paper reporting, complete on first page only	
Report Type	Original	Contact Name	John Doe
Production Month (MMCCYY)	042012	Telephone Number	7165551234
ONRR Operator Number	N2601	Extension Number	240
Operator Name	ABC Petroleum	Authorizing Signature	John Smith
Operator Lease/Agreement Number	14-08-0001-3261A	Date (MMDDCCYY)	06015012
Operator Lease/Agreement Name	ABC Unit Carbon PA	Comments: 10172 Mcf injected from off-lease source; 10 bbl spill.	
ONRR Lease/Agreement Number	891003261A		
Agency Lease/Agreement Number			

**OGOR-A Detail Information**

Action Code	API Well Number	Producing Interval	Operator Well Number	Well Status Code	Days Produced	Production Volumes			Injection Volume (bbl/Mcf)
						Oil/Cond. (bbl)	Gas (Mcf)	Water (bbl)	
A	151030086000	S01	Branch 1	03	28				20000
A	151030086900	S01	Branch 2	08	28	3000	2000	75	
A	151030087300	S01	Branch 3	08	28	6500	4000	150	
A	151030087500	S01	Gray 1	08	28	5000	3500	100	
A	151030089000	S01	Gray 2	08	28	4000	2700	90	
<b>Total production</b>						18500	12200	415	
<b>Total Injection</b>							20000		



**Example 5-1** Onshore and Offshore—Gas processed at gas plant and residue returned; oil transferred to another storage facility (cont.)

**OGOR-B Detail Information**

Action Code	Disposition Code	Metering Point	Gas Plant	API Gravity	Btu	Disposition Volumes		
						Oil/Cond. (bbl)	Gas (Mcf)	Water (bbl)
A	10					18500		
A	12	30151030076	02151030001		1200		6000	
A	12	30151030077	02151030001		1250		6200	
A	13						-9928	
A	14						9828	
A	20						100	
A	27							415
<b>Disposition Totals</b>						18500	12200	415

**OGOR-C Detail Information**

Action Code	Product Code	Inv. Storage Point No.	Metering Point No.	API Gravity	Beginning Inventory	Production	Sales	Adjustments		Ending Inventory
								Code	Vol	
A	01	01151030019	20151030005	30.9	200	9500	290	11	-9110	300
A	01	01141030020	20151030006	30.9	1000	9000	18150	13	9100	950
<b>Totals</b>					1200	18500	18440		-10	1250

**Example 5-2** Onshore and Offshore—Oil produced into a storage tank and sold through a LACT unit downstream; gas directly sold

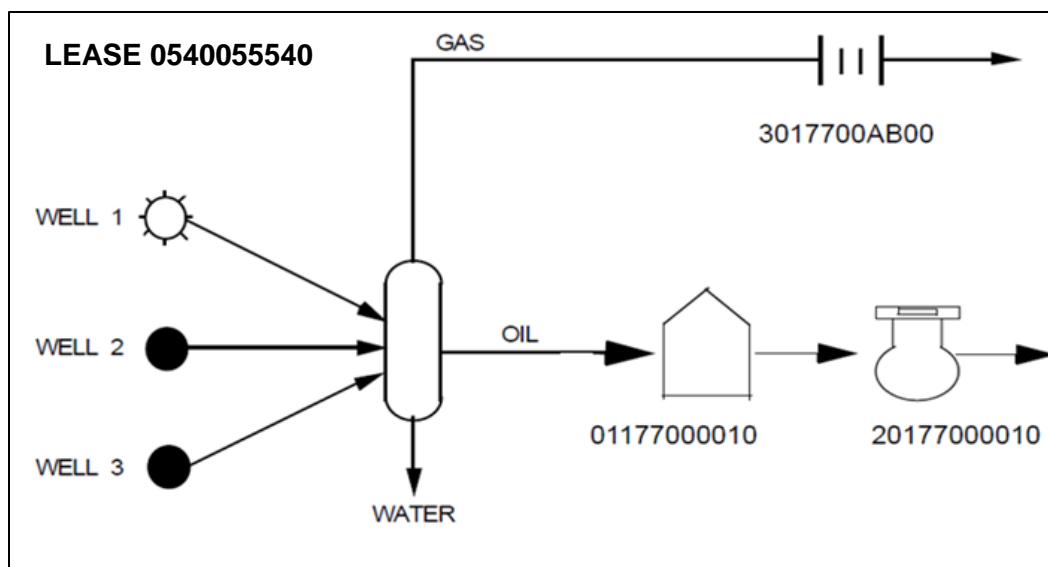
Key considerations:

- Production from each well passes through production equipment.
- The production equipment separates gas, oil, and water.
- Gas is metered and sold through an orifice meter on the lease.
- Oil is sent to a storage tank (facility) until it is metered and sold through a LACT unit downstream of the storage facility.
- Water is disposed.

**NOTE**

*For onshore facilities reported on OGOR-C, volume and quality measurement may occur by tank gauging instead of metering.*

**Example 5-2** Onshore and Offshore—Oil produced into a storage tank and sold through a LACT unit downstream; gas directly sold (cont.)



The completed OGORs highlight the following information.

**Identification/Authorization Information**

- Either the ONRR- or Agency-assigned lease/agreement number is entered.
- The identification information is the same on all OGOR parts.

**OGOR-A**

- Because there are three wells on the lease and each is a single completion, three lines are completed to report the API well number/producing interval code combination assigned to each well.
- Only two digits of the well code are completed because all wells are producing.

**OGOR-B**

- A separate line is completed for each type of product disposition.
- Although oil is sold through a meter, the Metering Point field is not completed because the oil is produced into a facility before sale. This is not considered a direct sale.
- The Metering Point Number field is completed to identify the meter at which gas is sold from the lease (offshore only).
- The Btu field must be completed because the wet gas is sold directly from the lease.

**Example 5-2** Onshore and Offshore—Oil produced into a storage tank and sold through a LACT unit downstream; gas directly sold (cont.)

**OGOR-C**

- Because the oil is stored in a facility before being measured and sold, the BSEE-assigned FMP number for the storage tank is completed in the Inventory Storage Point Number field.
- Because the oil is metered and sold through a LACT unit, the BSEE-assigned FMP number for the LACT unit is completed in the Metering Point Number field.
- The API Gravity field is completed because there are sales from the facility.
- The 6,700 bbl of oil in the Oil Production Volume field equal the amount in the Oil Disposition Volume reported on the OGOR-B as produced into a facility (Disposition Code **10** [Produced into Inventory Prior to Sales]).

**OGOR Fact Sheet**

Identification Information		Authorization Information	
—For electronic reporting, complete on Report Header only —For paper reporting, complete on all pages of the report		—For electronic reporting, complete on Part –A, -B, and/or -C —For paper reporting, complete on first page only	
Report Type	Original	Contact Name	John Doe
Production Month (MMCCYY)	042012	Telephone Number	7165551234
ONRR Operator Number	F6032	Extension Number	240
Operator Name	XYZ Oil	Authorizing Signature	John Smith
Operator Lease/Agreement Number	OCS-G 5554	Date (MMDDCCYY)	06152012
Operator Lease/Agreement Name	Ship Shoal 190	Comments:	
ONRR Lease/Agreement Number	0540055540		
Agency Lease/Agreement Number			

**OGOR-A Detail Information**

Action Code	API Well Number	Producing Interval	Operator Well Number	Well Status Code	Days Produced	Production Volumes			Injection Volume (bbl/Mcf)
						Oil/Cond. (bbl)	Gas (Mcf)	Water (bbl)	
A	177002467700	S01	1	11	30	1000	10000		
A	177002467800	S01	2	08	30	1200		250	
A	177002467900	S01	3	08	30	4500	1200		
<b>Total production</b>						6700	11200	250	
<b>Total Injection</b>									

**Example 5-2** Onshore and Offshore—Oil produced into a storage tank and sold through a LACT unit downstream; gas directly sold (cont.)

**OGOR-B Detail Information**

Action Code	Disposition Code	Metering Point	Gas Plant	API Gravity	Btu	Disposition Volumes		
						Oil/Cond. (bbl)	Gas (Mcf)	Water (bbl)
A	01	3017700AB00			1150		11200	
A	10					6700		
A	27							250
<b>Disposition Totals</b>						6700	11200	250

**OGOR-C Detail Information**

Action Code	Product Code	Inv. Storage Point No.	Metering Point No.	API Gravity	Beginning Inventory	Production	Sales	Adjustments		Ending Inventory
								Code	Vol	
A	01	01177000010	20177000010	42.9	2200	6700	4900			4000
<b>Totals</b>					2200	6700	4900			4000

**Example 5-3** Onshore and Offshore—Production sold directly from the lease

**Key considerations:**

- This lease has three wells that produce oil and casinghead gas.
- Oil flows through a surge tank (or facility for onshore) then is metered through a Lease Automatic Custody Transfer (LACT) unit and sold from the lease.
- Gas is sold through an orifice meter on the lease.
- Produced water is disposed of in a surface pit (onshore). Treated and discharged (offshore).

The completed OGORs highlight the following information.

**Identification/Authorization Information**

Either the ONRR- or Agency-assigned lease/agreement number is entered, but not both.

**OGOR-A**

Three lines are used, one for each well.

**Example 5-3 Onshore and Offshore—Production sold directly from the lease (cont.)**

**OGOR-B**

- Two lines are used to report sales because two different products are being sold directly from the lease.
- The API Gravity and Btu fields are completed because both oil and gas are sold directly from the lease.

**OGOR-C**

- The OGOR-C is not completed because production is not produced into a facility before sale and there is no prior inventory to report.
- The surge tank is not identified because it is not used in calculating production or inventory storage. OGOR-C is required for offshore facilities where inventory (Inventory FMP) is kept and oil is barged.

**OGOR Fact Sheet**

Identification Information		Authorization Information	
—For electronic reporting, complete on Report Header only —For paper reporting, complete on all pages of the report		—For electronic reporting, complete on Part –A, -B, and/or -C —For paper reporting, complete on first page only	
Report Type	Original	Contact Name	John Doe
Production Month (MMCCYY)	042012	Telephone Number	7165551234
ONRR Operator Number	N6032	Extension Number	240
Operator Name	XYZ Oil	Authorizing Signature	John Smith
Operator Lease/Agreement Number	WYW-15554	Date (MMDDCCYY)	06015012
Operator Lease/Agreement Name	Bend No. 2	Comments:	
ONRR Lease/Agreement Number	0490155540		
Agency Lease/Agreement Number			

**OGOR-A Detail Information**

Action Code	API Well Number	Producing Interval	Operator Well Number	Well Status Code	Days Produced	Production Volumes			Injection Volume (bbl/Mcf)
						Oil/Cond. (bbl)	Gas (Mcf)	Water (bbl)	
A	490432468700	S01	1	08	28	4500	1200	125	
A	490432468800	S01	2	08	28	4000	1500	75	
A	490432468900	S01	3	08	28	3500	1900	50	
<b>Total production</b>						12000	4600	250	
<b>Total Injection</b>									

## 5 How to Complete the OGOR

### Example 5-3 Onshore and Offshore—Production sold directly from the lease (cont.)

#### OGOR-B Detail Information

Action Code	Disposition Code	Metering Point	Gas Plant	API Gravity	Btu	Disposition Volumes		
						Oil/Cond. (bbl)	Gas (Mcf)	Water (bbl)
A	01	265-52649		38.9		12000		
A	01	KB2659			1050		4600	
A	27							250
<b>Disposition Totals</b>						12000	4600	250

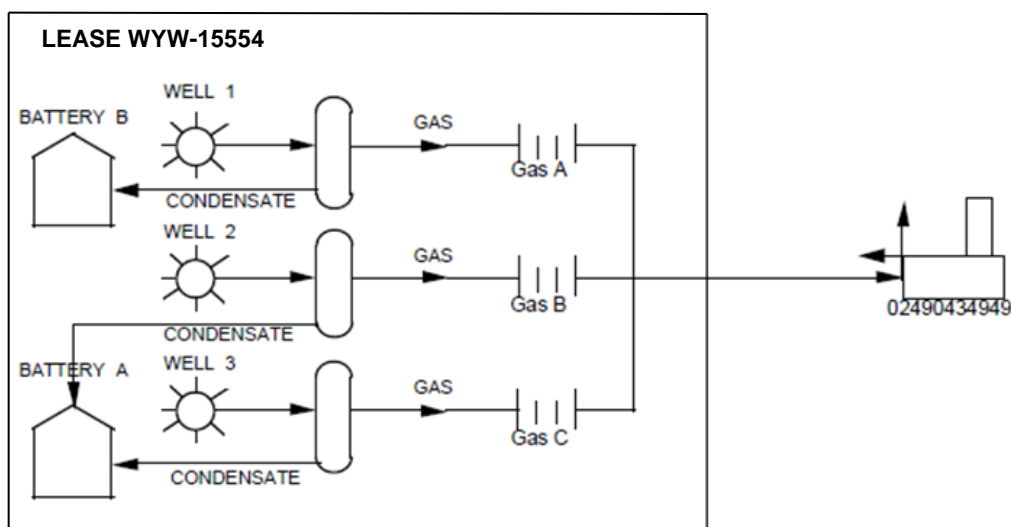
### Example 5-4 Onshore and Offshore—Condensate produced into two separate storage tanks; gas transferred for processing before royalty determination

Key considerations:

- The lease has three producing gas wells.
- Oil is spilled (determined by BLM/BSEE as an unavoidable spill) at Tank Battery A before the sale.
- The flow line to Tank Battery B is pigged (cleaned) at the end of the month after production volume is determined.

#### NOTE

*For onshore facilities reported on OGOR-C, volume and quality measurement may occur by tank gauging instead of metering.*



**Example 5-4** Onshore and Offshore—Condensate produced into two separate storage tanks; gas transferred for processing before royalty determination (cont.)

The completed OGORs highlight the following information.

**Identification/Authorization Information**

- The agency-assigned lease/agreement number is entered instead of the ONRR-assigned number.
- The Comments field explains the reasons for adjustments used on OGOR-C.

**OGOR-A**

The reported gas production volume is measured at the royalty volume determination meters.

**OGOR-B**

- In this example, gas is transferred to a gas plant for processing before royalty determination. The Gas Plant field is completed for each of the three gas measurement points of volume measurement before entering the gas plant, and Btu is reported.
- Even though liquids are produced into two separate storage tanks, complete only one line on the OGOR-B using Disposition Code **10** (Produced into Inventory Prior to Sales).

**OGOR-C**

- Because condensate from the three wells is produced into two storage tanks, two lines are completed to report the activity at both facilities.
- The Adjustment Code identifies the reason for adjusting the inventories.
- At Tank Battery A, 8 bbl of condensate are spilled (determined by BLM as an unavoidable spill). This requires an adjustment to identify the spill at the facility using Adjustment Code **23** (Spilled and/or Lost Unavoidable – No Royalty Due); report the 8 bbl with a negative.
- Because production was determined before the flow line was pigged at Tank Battery B, the condensate volume was 50 bbl less than the measured Ending Inventory Volume. This requires an adjustment to identify the inventory gain, use Disposition Code **42** (Differences/Adjustments). Beginning Inventory 1,250 bbl, plus 900 bbl Production, minus 1,950 bbl Sales, plus 50 bbl due to pigging, this equals Ending Inventory of 250 bbl.

## 5 How to Complete the OGOR

**Example 5-4** Onshore and Offshore—Condensate produced into two separate storage tanks; gas transferred for processing before royalty determination (cont.)

### OGOR Fact Sheet

Identification Information		Authorization Information	
—For electronic reporting, complete on Report Header only —For paper reporting, complete on all pages of the report		—For electronic reporting, complete on Part –A, -B, and/or -C —For paper reporting, complete on first page only	
Report Type	Original	Contact Name	John Doe
Production Month (MMCCYY)	042012	Telephone Number	7165551234
ONRR Operator Number	N6032	Extension Number	240
Operator Name	XYZ Oil	Authorizing Signature	John Smith
Operator Lease/Agreement Number	WYW-15554	Date (MMDDCCYY)	06015012
Operator Lease/Agreement Name	Bend No. 2	Comments: Flow line pigged (50 bbls); oil spilled (8 bbls).	
ONRR Lease/Agreement Number			
Agency Lease/Agreement Number	WYW15554		

### OGOR-A Detail Information

Action Code	API Well Number	Producing Interval	Operator Well Number	Well Status Code	Days Produced	Production Volumes			Injection Volume (bbl/Mcf)
						Oil/Cond. (bbl)	Gas (Mcf)	Water (bbl)	
A	490432467700	S01	1	11	28	900	8000		
A	490432467800	S01	2	11	28	700	10000		
A	490432467900	S01	3	11	28	1200	16000		
<b>Total production</b>						2800	34000		
<b>Total Injection</b>									

### OGOR-B Detail Information

Action Code	Disposition Code	Metering Point	Gas Plant	API Gravity	Btu	Disposition Volumes		
						Oil/Cond. (bbl)	Gas (Mcf)	Water (bbl)
A	11	Gas A	02490434949		1200		8000	
A	11	Gas B	02490434949		1250		10000	
A	11	Gas C	02490434949		1190		16000	
A	10					2800		
<b>Disposition Totals</b>						2800	34000	



**Example 5-4**

**Onshore and Offshore—Condensate produced into two separate storage tanks; gas transferred for processing before royalty determination (cont.)**

**OGOR-C Detail Information**

Action Code	Product Code	Inv. Storage Point No.	Metering Point No.	API Gravity	Beginning Inventory	Production	Sales	Adjustments		Ending Inventory
								Code	Vol	
A	01	Battery A		51.0	1000	1900	2450	23	-8	442
A	01	Battery B		51.9	1250	900	1950	42	50	250
<b>Totals</b>					2250	2800	4400		42	692

**Example 5-5**

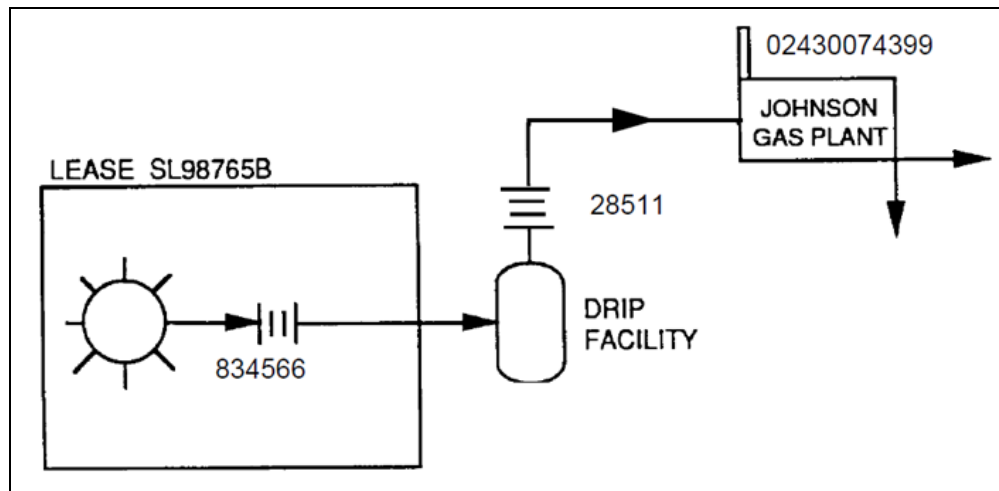
**Onshore and Offshore—Sales occur from a drip facility on a gas pipeline**

Key considerations:

- The drip facility is located downstream of the sales meter and upstream of the gas plant inlet.
- The lessee retains the rights to the NGLs.
- The drip sales measurement point is located between the drip facility and the gas plant.

**NOTE**

*For onshore, the drip facility requires prior BLM approval for off-lease storage and measurement.*



**Example 5-5** Onshore and Offshore—Sales occur from a drip facility on a gas pipeline (cont.)

The completed OGOR highlights the following:

- The volume of drip attributable to the lease is reported as Disposition Code **13** (Transferred from Facility) on the OGOR-B with a negative value indicating an addition of condensate to the lease to balance out the sale for Disposition Code **16** (Pipeline Drip/Retrograde Scrubber Production).
- Drip sales are reported as Sold on OGOR-B using Disposition Code **16** (Pipeline Drip/Retrograde Scrubber Production). A Sales FMP must be entered for offshore contracts.
- This oil volume should **not** be allocated to well production on OGOR-A unless the gas volume is reduced accordingly.
- The API Gravity is required for the drip sales.

**OGOR Fact Sheet**

Identification Information		Authorization Information	
—For electronic reporting, complete on Report Header only —For paper reporting, complete on all pages of the report		—For electronic reporting, complete on Part –A, -B, and/or -C —For paper reporting, complete on first page only	
Report Type	Original	Contact Name	Joe Young
Production Month (MMCCYY)	042012	Telephone Number	8017778888
ONRR Operator Number	C8115	Extension Number	
Operator Name	Cougar Oil	Authorizing Signature	Sam Spade
Operator Lease/Agreement Number		Date (MMDDCCYY)	06152012
Operator Lease/Agreement Name	Salt Flatts	Comments:	
ONRR Lease/Agreement Number			
Agency Lease/Agreement Number	SL98765B		

**OGOR-A Detail Information**

Action Code	API Well Number	Producing Interval	Operator Well Number	Well Status Code	Days Produced	Production Volumes			Injection Volume (bbl/Mcf)
						Oil/Cond. (bbl)	Gas (Mcf)	Water (bbl)	
A	430072345600	S01	Sam Town 1	09	26		25298		
<b>Total production</b>						25298			
<b>Total Injection</b>									

**Example 5-5** Onshore and Offshore—Sales occur from a drip facility on a gas pipeline (cont.)

**OGOR-B Detail Information**

Action Code	Disposition Code	Metering Point	Gas Plant	API Gravity	Btu	Disposition Volumes		
						Oil/Cond. (bbl)	Gas (Mcf)	Water (bbl)
A	16	28511		53.6		57		
A	13					-57		
A	11	834566	02430074399		1069		25298	
<b>Disposition Totals</b>							25298	

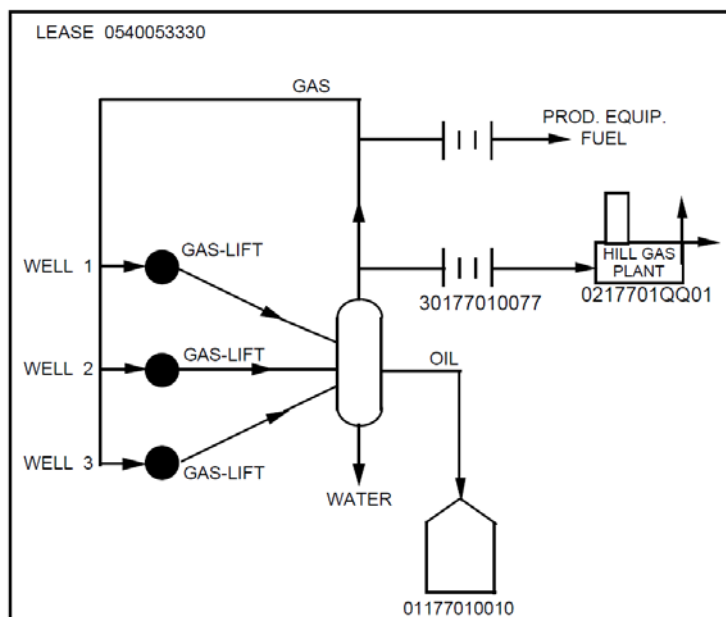
**Example 5-6** Onshore and Offshore—Gas-lift system used in production; no sales made from tank battery during production month

Key considerations:

- All of the producing wells are oil wells using gas-lift.
- Formation gas is produced in addition to the recovered gas-lift volume. A portion of the gas is transferred to a gas plant, and the remaining gas is used on-lease for production equipment.

**NOTE**

*For onshore facilities reported on OGOR-C, volume and quality measurement may occur by tank gauging instead of metering.*



**Example 5-6** Onshore and Offshore—Gas-lift system used in production; no sales made from tank battery during production month (cont.)

The completed OGORs highlight the following information.

**OGOR-A**

- The gas production volume for wells reporting well status code **09** (Producing Oil Completion—Gas-Lift) is reported **exclusive** of gas-lift gas volumes. In this example, gas production is reported because there is formation production.
- The gas-lift gas volume is not reported in the Injection or Production fields; only the **net** volume of produced formation gas is reported.

**OGOR-B**

Formation gas is transferred to a gas plant, and some of it is used on the lease for production equipment.

**OGOR-C**

- Although there were no sales at the facility, inventories were maintained, so an OGOR-C must be filed.
- The API Gravity field is not completed because there were no sales at the tank battery.

**OGOR Fact Sheet**

Identification Information		Authorization Information	
—For electronic reporting, complete on Report Header only —For paper reporting, complete on all pages of the report		—For electronic reporting, complete on Part –A, -B, and/or -C —For paper reporting, complete on first page only	
Report Type	Original	Contact Name	John Doe
Production Month (MMCCYY)	042012	Telephone Number	7165551234
ONRR Operator Number	F6032	Extension Number	240
Operator Name	XYZ Oil	Authorizing Signature	John Smith
Operator Lease/Agreement Number	OCS-G 5333	Date (MMDDCCYY)	06152012
Operator Lease/Agreement Name	Ship Shoal 200	Comments:	
ONRR Lease/Agreement Number	0540053330		
Agency Lease/Agreement Number			

**Example 5-6**

**Onshore and Offshore—Gas-lift system used in production; no sales made from tank battery during production month (cont.)**

**OGOR-A Detail Information**

Action Code	API Well Number	Producing Interval	Operator Well Number	Well Status Code	Days Produced	Production Volumes			Injection Volume (bbl/Mcf)
						Oil/Cond. (bbl)	Gas (Mcf)	Water (bbl)	
A	177002467700	S01	1	09	28	1000	10000		
A	177002467800	S01	2	09	28	1200	12000	250	
A	177002467900	S01	3	09	28	4500	45000		
<b>Total production</b>						6700	67000	250	
<b>Total Injection</b>									

**OGOR-B Detail Information**

Action Code	Disposition Code	Metering Point	Gas Plant	API Gravity	Btu	Disposition Volumes		
						Oil/Cond. (bbl)	Gas (Mcf)	Water (bbl)
A	10					6700		
A	27							250
A	11	30177010077	0217701QQ01		1200		60000	
A	20						7000	
<b>Disposition Totals</b>						6700	67000	250

**OGOR-C Detail Information**

Action Code	Product Code	Inv. Storage Point No.	Metering Point No.	API Gravity	Beginning Inventory	Production	Sales	Adjustments		Ending Inventory
								Code	Vol	
A	01	1177010010			2200	6700				8900
<b>Totals</b>					2200	6700				8900

**Example 5-7** Onshore and Offshore—Two different products injected into well during same production month

Key considerations (schematic not shown):

- Part of the gas injection volume is purchased from off lease; the remainder is produced formation gas.
- Each product and its respective volume are reported.
- The number of days each product is injected is reported.

**OGOR-A**

- The API Well Number/Producing Interval Code field combination, with the appropriate well status code, is reported on at least two lines (one line to report production and an additional line(s) to report the injection). Valid well status code combinations that can be reported for the same API number are the following:
  - Production: **08, 09** or **11**
  - Injection: **03, 04, 18**
- The number of days used for injecting each product is reported on the line for that product.

**OGOR-B**

- One line is completed for each product being injected into the lease using Disposition Code **14** (Injected on L/A).
- The injected volumes shown on OGOR-B do not include volumes brought from off lease.
- Royalties for volumes purchased off-lease have already been paid.

**NOTE**

*For offshore operators—only a portion of produced gas is considered recovered injection. Contact BSEE for guidance in determining recovered injection volumes.*

**Example 5-7** Onshore and Offshore—Two different products injected into well during same production month (cont.)

**OGOR Fact Sheet**

Identification Information		Authorization Information	
—For electronic reporting, complete on Report Header only —For paper reporting, complete on all pages of the report		—For electronic reporting, complete on Part –A, -B, and/or -C —For paper reporting, complete on first page only	
Report Type	Original	Contact Name	John T. Smith
Production Month (MMCCYY)	042012	Telephone Number	7165551234
ONRR Operator Number	F9765	Extension Number	
Operator Name	XYZ Oil Company	Authorizing Signature	Jack O. Wells
Operator Lease/Agreement Number	OCS-G 2345	Date (MMDDCCYY)	06152012
Operator Lease/Agreement Name	Eugene Island Block 137	Comments: 10000 Mcf purchased off lease. Water from off-lease source (9394 bbls).	
ONRR Lease/Agreement Number	0540023450		
Agency Lease/Agreement Number			

**OGOR-A Detail Information**

Action Code	API Well Number	Producing Interval	Operator Well Number	Well Status Code	Days Produced	Production Volumes			Injection Volume (bbl/Mcf)
						Oil/Cond. (bbl)	Gas (Mcf)	Water (bbl)	
A	177090132000	S01	A-3	04	08				9654
A	177090132000	S01	A-3	03	11				16876
A	177090132000	S01	A-3	08	11	10960	6876	260	
<b>Total production</b>						10960	6876	250	
<b>Total Injection</b>							16876	9654	

**OGOR-B Detail Information**

Action Code	Disposition Code	Metering Point	Gas Plant	API Gravity	Btu	Disposition Volumes		
						Oil/Cond. (bbl)	Gas (Mcf)	Water (bbl)
A	01	20170751240		30.1		10960		
A	14						6876	
A	14							260
<b>Disposition Totals</b>						10960	6876	260

## 5 How to Complete the OGOR

### **Example 5-8** Onshore and Offshore—Water is produced on one lease and injected into an off-lease injection well

Key considerations (schematic not shown):

- The lease contains a producing oil well that produces oil, gas, and water.
- The water is injected into an off-lease injection well.

The completed OGOR highlights the following information:

The 100 bbl of water sent to another lease for injection is reported as Disposition code **17** (Water Injected/Transferred Off-L/A).

### OGOR Fact Sheet

Identification Information		Authorization Information	
—For electronic reporting, complete on Report Header only —For paper reporting, complete on all pages of the report		—For electronic reporting, complete on Part –A, -B, and/or -C —For paper reporting, complete on first page only	
Report Type	Original	Contact Name	C.E. Brown
Production Month (MMCCYY)	042012	Telephone Number	3075551222
ONRR Operator Number	C4444	Extension Number	
Operator Name	ABC Prod. Co.	Authorizing Signature	Ralph Nichols
Operator Lease/Agreement Number		Date (MMDDCCYY)	06152012
Operator Lease/Agreement Name		Comments:	
ONRR Lease/Agreement Number			
Agency Lease/Agreement Number	WYW54320		

### OGOR-A Detail Information

Action Code	API Well Number	Producing Interval	Operator Well Number	Well Status Code	Days Produced	Production Volumes			Injection Volume (bbl/Mcf)
						Oil/Cond. (bbl)	Gas (Mcf)	Water (bbl)	
A	490071234000	S01	Tatum 1	POW	30	250	1000	100	
<b>Total production</b>						250	1000	100	
<b>Total Injection</b>									

### OGOR-B Detail Information

Action Code	Disposition Code	Metering Point	Gas Plant	API Gravity	Btu	Disposition Volumes		
						Oil/Cond. (bbl)	Gas (Mcf)	Water (bbl)
A	01	34211		31.5		250		
A	01	834456			1150		1000	
A	17							100
<b>Disposition Totals</b>						250	1000	100



**Example 5-9 Onshore and Offshore—Line is pigged in one production month and filled the next month**

Key considerations (schematic not shown):

- The pipeline was pigged, resulting in additional volumes for the lease during the month the line was pigged.
- The approved royalty measurement point is downstream of pipeline being pigged.
- The next month, the sales reported on OGOR-B are less than the production reported on OGOR-A due to pipeline fill.

The completed OGOR highlights the following information:

**Identification/Authorization Information**

A comment is entered in the Comments field for both months explaining that the line was pigged.

**OGOR-A for April (pigging month)**

- For the month of April, actual production volumes for oil, gas, and water are shown.
- The additional volumes resulting from pigging the line are not shown on OGOR-A because they accumulated in the pipeline over several months and have previously been reported as production.

**OGOR-B for April (pigging month)**

- The additional volume of oil resulting from pigging the line are shown using Disposition Code **42** (Differences/Adjustments) as a negative volume to indicate an addition to the lease.
- The entire volume sold is reported using Disposition Code **01** (Sales — Subject to Royalty — MEASURED). The sales volume includes the volume gained from pigging the line.

**OGOR-A for May (line fill month)**

The lease operator reports actual production volumes for oil, gas and water for the current month of May. These volumes include pipeline fill.

**OGOR-B for May (line fill month)**

- The total lease sales are reported.
- A volume equal to the difference between production on OGOR-A and sales on OGOR-B is reported as Disposition Code **42** (Differences/ Adjustments). The volume is positive for this month to indicate a loss to the lease; that is, a portion of the production volume is sitting in the pipeline and has not made it to the tank or sales meter.

## 5 How to Complete the OGOR

**Example 5-9** Onshore and Offshore—Line is pigged in one production month and filled the next month (cont.)

### OGOR Fact Sheet

Identification Information		Authorization Information	
—For electronic reporting, complete on Report Header only —For paper reporting, complete on all pages of the report		—For electronic reporting, complete on Part –A, -B, and/or -C —For paper reporting, complete on first page only	
Report Type	Original	Contact Name	John T. Smith
Production Month (MMCCYY)	042012	Telephone Number	7165551234
ONRR Operator Number	F9765	Extension Number	
Operator Name	XYZ Oil Company	Authorizing Signature	Jack O. Wells
Operator Lease/Agreement Number	OCS-G 2345	Date (MMDDCCYY)	06152012
Operator Lease/Agreement Name	Eugene Island Block 137	Comments:	
ONRR Lease/Agreement Number	0540023450		
Agency Lease/Agreement Number			

### OGOR-A Detail Information

Action Code	API Well Number	Producing Interval	Operator Well Number	Well Status Code	Days Produced	Production Volumes			Injection Volume (bbl/Mcf)
						Oil/Cond. (bbl)	Gas (Mcf)	Water (bbl)	
A	177090132000	S01	A-1	08	10	1021	1009	173	
A	177090142000	S01	A-2	08	08	987	388	0	
A	177090152000	S01	A-3	08	14	879	987	0	
A	177090162000	S01	A-4	08	09	1732	1201	565	
<b>Total production</b>						4619	3585	838	
<b>Total Injection</b>									

### OGOR-B Detail Information

Action Code	Disposition Code	Metering Point	Gas Plant	API Gravity	Btu	Disposition Volumes		
						Oil/Cond. (bbl)	Gas (Mcf)	Water (bbl)
A	42					-1521		
A	01	20170751240		32.6		6140		
A	01	3017707K00A			1072		3585	
A	27							838
<b>Disposition Totals</b>						4619	3585	838

**Example 5-9** Onshore and Offshore—Line is pigged in one production month and filled the next month (cont.)

**OGOR Fact Sheet**

Identification Information		Authorization Information	
—For electronic reporting, complete on Report Header only —For paper reporting, complete on all pages of the report		—For electronic reporting, complete on Part –A, -B, and/or -C —For paper reporting, complete on first page only	
Report Type	Original	Contact Name	John T. Smith
Production Month (MMCCYY)	052012	Telephone Number	7165551234
ONRR Operator Number	F9765	Extension Number	
Operator Name	XYZ Oil Company	Authorizing Signature	Jack O. Wells
Operator Lease/Agreement Number	OCS-G 2345	Date (MMDDCCYY)	07152012
Operator Lease/Agreement Name	Eugene Island Block 137	Comments: Pipeline fill 1270 bbl.	
ONRR Lease/Agreement Number	0540023450		
Agency Lease/Agreement Number			

**OGOR-A Detail Information**

Action Code	API Well Number	Producing Interval	Operator Well Number	Well Status Code	Days Produced	Production Volumes			Injection Volume (bbl/Mcf)
						Oil/Cond. (bbl)	Gas (Mcf)	Water (bbl)	
A	177090132000	S01	A-1	08	30	1065	890	105	
A	177090142000	S01	A-2	08	30	1650	275	0	
A	177090152000	S01	A-3	08	30	975	1010	0	
A	177090162000	S01	A-4	08	30	1830	1398	435	
<b>Total production</b>						5520	3573	540	
<b>Total Injection</b>									

**OGOR-B Detail Information**

Action Code	Disposition Code	Metering Point	Gas Plant	API Gravity	Btu	Disposition Volumes		
						Oil/Cond. (bbl)	Gas (Mcf)	Water (bbl)
A	01	20170751240		32.6		4250		
A	01	3017707K00A			1072		3573	
A	27							540
A	42					1270		
<b>Disposition Totals</b>						5520	3573	540

## 5 How to Complete the OGOR

### **Example 5-10** Onshore and Offshore—Waste oil/slop oil sold from Federal lease

Key considerations (schematic not shown):

- Waste/Slop Oil is oil that has accumulated in the surface pit (or slop tank) on the lease over a period of time.
- The volume of Waste/Slop Oil is not reported on OGOR-A.
- When oil is determined by an approving official to be Waste/Slop Oil and removed from a lease, it must be reported on the OGOR-B using Disposition Code **29** (Waste Oil/Slop Oil). API Gravity is required. (Royalty is due).
- Because the Waste/Slop Oil has accumulated during previous production months, Disposition Code **42** (Differences/Adjustments) is used to offset this volume and allow dispositions on the OGOR-B to equal production on the OGOR-A.
- Enter a statement concerning the Waste/Slop Oil in the Comments field.

### OGOR Fact Sheet

Identification Information		Authorization Information	
—For electronic reporting, complete on Report Header only —For paper reporting, complete on all pages of the report		—For electronic reporting, complete on Part –A, -B, and/or -C —For paper reporting, complete on first page only	
Report Type	Original	Contact Name	Richard Hatch
Production Month (MMCCYY)	042012	Telephone Number	3033895555
ONRR Operator Number	K0861	Extension Number	
Operator Name	Zang Oil	Authorizing Signature	Carol Burton
Operator Lease/Agreement Number	COC4365	Date (MMDDCCYY)	06152012
Operator Lease/Agreement Name	Alan Unit	Comments: 100 bbls of Waste/Slop Oil.	
ONRR Lease/Agreement Number			
Agency Lease/Agreement Number	COC4365		

### OGOR-A and OGOR-C not shown

#### OGOR-B Detail Information

Action Code	Disposition Code	Metering Point	Gas Plant	API Gravity	Btu	Disposition Volumes		
						Oil/Cond. (bbl)	Gas (Mcf)	Water (bbl)
A	10					400		
A	27							75
A	29			20.1		100		
A	42					-100		
A	01	MP1111			1100		1950	
<b>Disposition Totals</b>						400	1950	75

**Example 5-11 Onshore and Offshore—A non-hydrocarbon gas is purchased off-lease and brought on-lease for injection**

Key considerations (schematic not shown):

- Non-hydrocarbon gas (CO<sub>2</sub>) is purchased from off lease and injected for enhanced recovery.
- The gas stream is sent to a gas plant, including recovered CO<sub>2</sub>.
- Water is also produced and injected.
- Enter a statement concerning the CO<sub>2</sub> off-lease purchase in the Comments field.

**OGOR-A**

- Two wells inject water during the first part of the production month and CO<sub>2</sub> during the second half of the production month. Two detail lines are entered for each well indicating the number of days each product was injected.
- The total production volume for gas includes any recovered CO<sub>2</sub> volumes.

**OGOR-B**

- Recovered CO<sub>2</sub> is reported using Disposition Code **05** (Sales — Royalty Not Due, Recovered Injection — MEASURED).
- The gas, net of recovered CO<sub>2</sub>, is reported as transferred.
- Water is reported as Disposition Code **14** (Injected on L/A) because it was originally produced on the lease and injected. That is, water is originally from formation.

**OGOR Fact Sheet**

Identification Information		Authorization Information	
—For electronic reporting, complete on Report Header only —For paper reporting, complete on all pages of the report		—For electronic reporting, complete on Part –A, -B, and/or -C —For paper reporting, complete on first page only	
Report Type	Original	Contact Name	Sam Smith
Production Month (MMCCYY)	042012	Telephone Number	3072348888
ONRR Operator Number	K1787	Extension Number	
Operator Name	XYZ Oil and Gas	Authorizing Signature	Sam Smith
Operator Lease/Agreement Number		Date (MMDDCCYY)	06152012
Operator Lease/Agreement Name	Common Creek Field	Comments: 20,000 Mcf CO <sub>2</sub> purchased off-lease for injection.	
ONRR Lease/Agreement Number	0490155540		
Agency Lease/Agreement Number			

5 How to Complete the OGOR

**Example 5-11** Onshore and Offshore—A non-hydrocarbon gas is purchased off-lease and brought on-lease for injection (cont.)

**OGOR-A Detail Information**

Action Code	API Well Number	Producing Interval	Operator Well Number	Well Status Code	Days Produced	Production Volumes			Injection Volume (bbl/Mcf)
						Oil/Cond. (bbl)	Gas (Mcf)	Water (bbl)	
A	250690003200	S01	3	POW	30	11701	25103	12114	
A	250690030600	S01	5	POW	30	10564	22222	11966	
A	250690026500	S01	7	GIW	15				9050
A	250690026500	S01	7	WIW	15				20046
A	250690020700	S01	9	GIW	16				10950
A	250690020700	S01	9	WIW	14				4034
<b>Total production</b>						22265	47325	24080	
<b>Total Injection</b>							20000	24080	

**OGOR-B Detail Information**

Action Code	Disposition Code	Metering Point	Gas Plant	API Gravity	Btu	Disposition Volumes		
						Oil/Cond. (bbl)	Gas (Mcf)	Water (bbl)
A	01	2010089		34.0		22265		
A	11	8111567	02250694305		1109		27325	
A	14							24080
A	05	8111568					2000	
<b>Disposition Totals</b>						22265	47325	24080

**Example 5-12** Onshore and Offshore—Federal unit with two PAs; one lease has production from a non-unitized formation

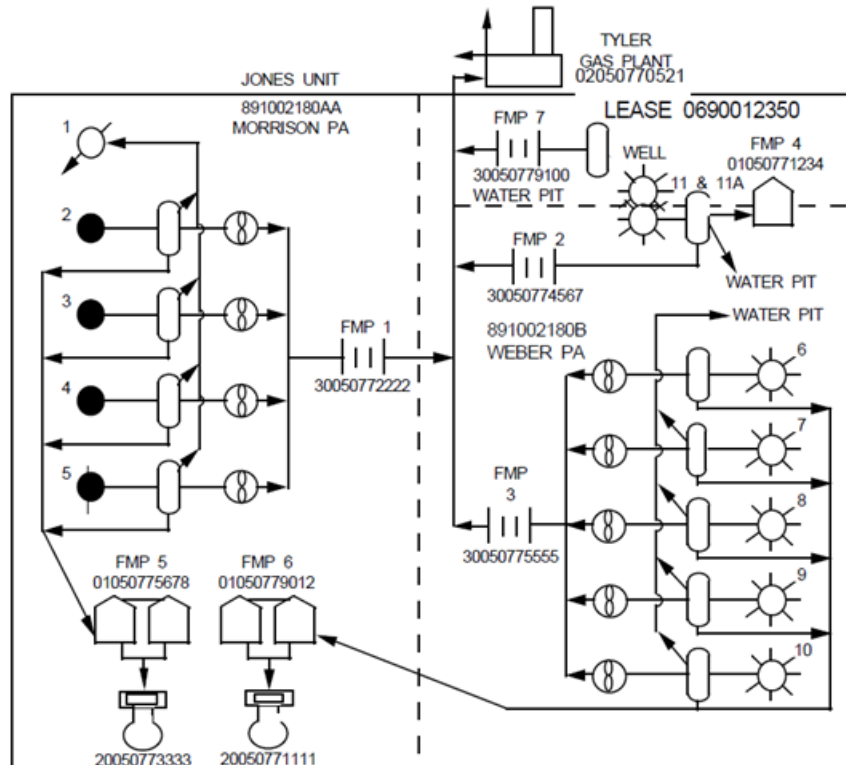
Key considerations:

- A Federal unit has two participating areas (PA), the Morrison PA and the Weber PA.
- One of the leases committed to the unit has production from the non-unitized Mancos Formation. The well drilled on this lease is a dual completion. Each zone is metered separately. One completion is part of the Weber PA.
- Gas from each PA is transferred to a gas plant for processing before royalty determination.
- For the non-unitized formation, gas is sold directly from the lease.
- Water produced from the Morrison Formation is injected back into the same formation. Additional water is used for injection.
- Both PAs and the lease supply fuel for their own production equipment.

Three separate OGORs are completed: one for each PA, and one for the lease with the nonparticipating completion.

**NOTE**

*For onshore facilities reported on OGOR-C, volume and quality measurement may occur by tank gauging instead of metering.*



**Example 5-12 Onshore and Offshore—Federal unit with two PAs; one lease has production from a non-unitized formation (cont.)**

The completed OGORs highlight the following information.

**Identification/Authorization Information**

- Enter the lease/agreement number.
- The Comments field reflects the source of the additional water used for injection on the Morrison PA's OGOR.
- The 11-character agreement number is entered for the Morrison PA because the unit was expanded. The agency-assigned number is the ONRR-assigned number because the original agreement was approved before January 1, 1988.

**OGOR-A**

- One line is completed for each API well number/producing interval code combination.
- Producing intervals D01 and D02 for API well number 050771554100 (well numbers 11 and 11A on the schematic (on previous page) are reported on different OGORs because production from each completion is from a different report entity. See Fact Sheet #2 and #3.

**OGOR-B**

The OGOR-B for the unit PAs reports Disposition Code **11** (Transferred to Facility) as one of the gas dispositions because the lessee retains the rights to the NGLs. The Metering Point, Gas Plant, and Btu fields are completed for this disposition. See Fact Sheet #1 and #2.

**OGOR-C**

- The API Gravity field is completed when there are sales from facility number 01050775678 (Fact Sheet #1) and facility number 01050779012 (Fact Sheet #2). **The API Gravity field is left blank for facility number 01050771234 because there are no sales for this production month.**
- An OGOR-C is **not** completed for lease number 0690012350 because the production is not produced into a facility before being sold from the lease. See Fact Sheet #3.



**Example 5-12 Onshore and Offshore—Federal unit with two PAs; one lease has production from a non-unitized formation (cont.)**

**OGOR Fact Sheet #1**

Identification Information		Authorization Information	
—For electronic reporting, complete on Report Header only —For paper reporting, complete on all pages of the report		—For electronic reporting, complete on Part –A, -B, and/or -C —For paper reporting, complete on first page only	
Report Type	Original	Contact Name	J.A. Doe
Production Month (MMCCYY)	042012	Telephone Number	3035551234
ONRR Operator Number	N6022	Extension Number	
Operator Name	CDE Petroleum	Authorizing Signature	Jane L. Smith
Operator Lease/Agreement Number	14-08-0001-2180AA	Date (MMDDCCYY)	06152012
Operator Lease/Agreement Name	Jones Unit Morrison PA	Comments: 1000 bbl water acquired for injection from off-lease.	
ONRR Lease/Agreement Number	891002180AA		
Agency Lease/Agreement Number			

**OGOR-A Detail Information**

Action Code	API Well Number	Producing Interval	Operator Well Number	Well Status Code	Days Produced	Production Volumes			Injection Volume (bbl/Mcf)
						Oil/Cond. (bbl)	Gas (Mcf)	Water (bbl)	
A	050771543100	S01	1	04	28				2080
A	050771543200	S01	2	08	28	1000	200	330	
A	050771543300	S01	3	08	28	1800	500	550	
A	050771543400	S01	4	08	28	2300	800	200	
A	050771543500	X01	5	1433					
<b>Total production</b>						5100	1500	1080	
<b>Total Injection</b>								2080	

**OGOR-B Detail Information**

Action Code	Disposition Code	Metering Point	Gas Plant	API Gravity	Btu	Disposition Volumes		
						Oil/Cond. (bbl)	Gas (Mcf)	Water (bbl)
A	10					5100		
A	11	30050772222	02050770521		1280		1400	
A	20						100	
A	14							1080
<b>Disposition Totals</b>						5100	1500	1080

## 5 How to Complete the OGOR

**Example 5-12** Onshore and Offshore—Federal unit with two PAs; one lease has production from a non-unitized formation (cont.)

### OGOR-C Detail Information

Action Code	Product Code	Inv. Storage Point No.	Metering Point No.	API Gravity	Beginning Inventory	Production	Sales	Adjustments		Ending Inventory
								Code	Vol	
A	01	01050775678	20050773333	34.4	400	5100	4750			750
<b>Totals</b>					400	5100	4750			750

### OGOR Fact Sheet #2

Identification Information		Authorization Information	
—For electronic reporting, complete on Report Header only —For paper reporting, complete on all pages of the report		—For electronic reporting, complete on Part –A, -B, and/or -C —For paper reporting, complete on first page only	
Report Type	Original	Contact Name	J.A. Doe
Production Month (MMCCYY)	042012	Telephone Number	3035551234
ONRR Operator Number	N6022	Extension Number	
Operator Name	CDE Petroleum	Authorizing Signature	Jane L. Smith
Operator Lease/Agreement Number	14-08-0001-2180B	Date (MMDDCCYY)	06152012
Operator Lease/Agreement Name	Jones Unit Weber PA	Comments:	
ONRR Lease/Agreement Number	891002180B		
Agency Lease/Agreement Number			

### OGOR-A Detail Information

Action Code	API Well Number	Producing Interval	Operator Well Number	Well Status Code	Days Produced	Production Volumes			Injection Volume (bbl/Mcf)
						Oil/Cond. (bbl)	Gas (Mcf)	Water (bbl)	
A	050771553600	S01	6	11	28	100	10000	40	
A	050771553700	S01	7	11	28	210	7000	30	
A	050771553800	S01	8	11	28	50	2000	10	
A	050771553900	S01	9	11	28	75	11500	25	
A	050771554000	S01	10	11	28	115	25000	40	
A	050771554100	D01	11	11	28	45	1700	3	
<b>Total production</b>						595	57200	148	
<b>Total Injection</b>									

**Example 5-12** Onshore and Offshore—Federal unit with two PAs; one lease has production from a non-unitized formation (cont.)

**OGOR-B Detail Information**

Action Code	Disposition Code	Metering Point	Gas Plant	API Gravity	Btu	Disposition Volumes		
						Oil/Cond. (bbl)	Gas (Mcf)	Water (bbl)
A	10					595		
A	11	30050775555	02050770521		1260		55430	
A	11	30050774567	02050770521		1320		1690	
A	20						80	
A	27							148
<b>Disposition Totals</b>						595	57200	148

**OGOR-C Detail Information**

Action Code	Product Code	Inv. Storage Point No.	Metering Point No.	API Gravity	Beginning Inventory	Production	Sales	Adjustments		Ending Inventory
								Code	Vol	
A	01	01050771234			50	45				95
A	01	01050779012	20050771111	45.6	510	550	900			160
<b>Totals</b>					560	595	900			255

**OGOR Fact Sheet #3**

Identification Information		Authorization Information	
—For electronic reporting, complete on Report Header only —For paper reporting, complete on all pages of the report		—For electronic reporting, complete on Part –A, -B, and/or -C —For paper reporting, complete on first page only	
Report Type	Original	Contact Name	John Doe
Production Month (MMCCYY)	042012	Telephone Number	3035551234
ONRR Operator Number	N6022	Extension Number	
Operator Name	CDE Petroleum	Authorizing Signature	Jack S. Smith
Operator Lease/Agreement Number	COC1235	Date (MMDDCCYY)	06152012
Operator Lease/Agreement Name	Mancos Lease	Comments:	
ONRR Lease/Agreement Number	0690012350		
Agency Lease/Agreement Number			

**Example 5-12** Onshore and Offshore—Federal unit with two PAs; one lease has production from a non-unitized formation (cont.)

**OGOR-A Detail Information**

Action Code	API Well Number	Producing Interval	Operator Well Number	Well Status Code	Days Produced	Production Volumes			Injection Volume (bbl/Mcf)
						Oil/Cond. (bbl)	Gas (Mcf)	Water (bbl)	
A	050771554100	D02	11A	11	28		1000	2	
<b>Total production</b>							1000	2	
<b>Total Injection</b>									

**OGOR-B Detail Information**

Action Code	Disposition Code	Metering Point	Gas Plant	API Gravity	Btu	Disposition Volumes		
						Oil/Cond. (bbl)	Gas (Mcf)	Water (bbl)
A	01	30050779100			1100		990	
A	20						10	
A	27							2
<b>Disposition Totals</b>							1000	2

**Example 5-13** Onshore and Offshore—Lease has a new operator designation and transfers inventory between past and current operators and/or change in lease/agreement entity

Key considerations:

- An operator assumes operations of an active Federal lease from the existing Operator.
- After the appropriate forms are submitted and approved by BLM or BOEM/BSEE office, they send updates to the ONRR financial accounting system database.
- For offshore leases, the appropriate BOEM/BSEE regional office enters a change of ownership for all facilities (FMPs) involved.
- The acquiring Operator must submit an OGOR and all other required forms beginning with the production month in which the acquisition becomes effective.
- The originating Operator must report a transfer of the inventory in the last month of its operating responsibility using Adjustment Code 45 (Adjustment of Inventories for Original Operator [Operator Change]) on OGOR-C (report as negative volume). If all inventory volume transfers, the Ending Inventory should equal zero. See Fact Sheet #1.

**Example 5-13 Onshore and Offshore—Lease has a new operator designation and transfers inventory between past and current operators and/or change in lease/agreement entity (cont.)**

Key considerations (cont.):

- The receiving Operator reports a Beginning Inventory of zero and the transferred inventory is added using an Adjustment Code 47 (Adjustment of Inventories for Receiving Operator [Operator Change]) on OGOR-C. See Fact Sheet #2.

**NOTE**

*If the previous Operator does not transfer all Ending Inventory to the new Operator, the previous Operator should continue to report the OGOR-C each month until the retained inventory is sold.*

**NOTE**

*For onshore facilities reported on OGOR-C, volume and quality measurement may occur by tank gauging instead of metering.*

The purpose of this example is to highlight the adjustment of inventories on the OGOR-C.

**OGOR-A**

The originating Operator and the receiving Operator complete this part in the standard format, reporting each well.

**OGOR-B**

Both operators complete this part using the standard format to reflect the disposition of production. See Fact Sheets #1 and #2.

**OGOR-C**

The originating Operator must use Adjustment Code **45** (Adjustment of Inventories for Original Operator [Operator Change]) to zero out the inventory. Enter a statement in the Comments field concerning the removal of inventory. See **Appendix I**. The receiving Operator must use Adjustment Code **47** (Adjustment of Inventories for Receiving Operator [Operator Change]) to reflect the amount of inventory being transferred. Enter a statement in the Comments field concerning the acquired inventory. See **Appendix I**.

**NOTE**

*This example also applies to a change in Lease/Agreement reporting entity. See **Appendix I** for the correct Adjustment Code.*

## 5 How to Complete the OGOR

**Example 5-13** Onshore and Offshore—Lease has a new operator designation and transfers inventory between past and current operators and/or change in lease/agreement entity (cont.)

### OGOR Fact Sheet #1

Identification Information		Authorization Information	
—For electronic reporting, complete on Report Header only —For paper reporting, complete on all pages of the report		—For electronic reporting, complete on Part –A, -B, and/or -C —For paper reporting, complete on first page only	
Report Type	Original	Contact Name	John Brown
Production Month (MMCCYY)	042012	Telephone Number	5045551111
ONRR Operator Number	F1011	Extension Number	
Operator Name	ABC Operating Company	Authorizing Signature	John Brown
Operator Lease/Agreement Number	OCS-G 4500	Date (MMDDCCYY)	06152012
Operator Lease/Agreement Name	Eugene Island Block 152	Comments: Inventory transferred to Oper F2011 and Lease G06600.	
ONRR Lease/Agreement Number	0540045000		
Agency Lease/Agreement Number			

### OGOR-A Detail Information

Action Code	API Well Number	Producing Interval	Operator Well Number	Well Status Code	Days Produced	Production Volumes			Injection Volume (bbl/Mcf)
						Oil/Cond. (bbl)	Gas (Mcf)	Water (bbl)	
A	177090123400	S01	B-4	08	10	750	300	0	0
<b>Total production</b>						750	300	0	
<b>Total Injection</b>									0

### OGOR-B Detail Information

Action Code	Disposition Code	Metering Point	Gas Plant	API Gravity	Btu	Disposition Volumes		
						Oil/Cond. (bbl)	Gas (Mcf)	Water (bbl)
A	10					750		0
A	01	3005077KW01			1110		300	
<b>Disposition Totals</b>						750	300	0

### OGOR-C Detail Information

Action Code	Product Code	Inv. Storage Point No.	Metering Point No.	API Gravity	Beginning Inventory	Production	Sales	Adjustments		Ending Inventory
								Code	Vol	
A	01	01050775401	20050775401	36.5	100	750	250	45	-600	0
<b>Totals</b>						100	750	250	-600	0

**Example 5-13**

**Onshore and Offshore—Lease has a new operator designation and transfers inventory between past and current operators and/or change in lease/agreement entity (cont.)**

**OGOR Fact Sheet #2**

Identification Information		Authorization Information	
—For electronic reporting, complete on Report Header only —For paper reporting, complete on all pages of the report		—For electronic reporting, complete on Part –A, -B, and/or -C —For paper reporting, complete on first page only	
Report Type	Original	Contact Name	Bob Smith
Production Month (MMCCYY)	042012	Telephone Number	5045555555
ONRR Operator Number	F2011	Extension Number	
Operator Name	XYZ Company	Authorizing Signature	Bob Smith
Operator Lease/Agreement Number	OCS-G 4500	Date (MMDDCCYY)	06152012
Operator Lease/Agreement Name	Eugene Island Block 152	Comments: Inventory transferred from Oper F1011 and Lease G04500.	
ONRR Lease/Agreement Number	0540045000		
Agency Lease/Agreement Number			

**OGOR-A Detail Information**

Action Code	API Well Number	Producing Interval	Operator Well Number	Well Status Code	Days Produced	Production Volumes			Injection Volume (bbl/Mcf)
						Oil/Cond. (bbl)	Gas (Mcf)	Water (bbl)	
A	177090123400	S01	B-4	08	20	1000	500	0	0
<b>Total production</b>						1000	500	0	
<b>Total Injection</b>									0

**OGOR-B Detail Information**

Action Code	Disposition Code	Metering Point	Gas Plant	API Gravity	Btu	Disposition Volumes		
						Oil/Cond. (bbl)	Gas (Mcf)	Water (bbl)
A	10					1000		0
A	01	3005077KW01			1150		500	
<b>Disposition Totals</b>						1000	500	0

**OGOR-C Detail Information**

Action Code	Product Code	Inv. Storage Point No.	Metering Point No.	API Gravity	Beginning Inventory	Production	Sales	Adjustments		Ending Inventory
								Code	Vol	
A	01	01050775401	20050775402	37.6	0	1000	200	47	600	1400
<b>Totals</b>					0	1000	200		600	1400

## 5 How to Complete the OGOR

### **Example 5-14** Onshore and Offshore—A well is recompleted from one production zone to a different zone in a single tubing string

Key considerations (schematic not shown):

- The Garfield 1 is a single completion well producing from the Moenkopi Formation.
- During May 2012, the well is recompleted to the Frontier Formation, abandoning the Moenkopi Formation within the same tubing string.
- The Garfield 1 is renamed the Garfield **1A** and is changed to an **S02** completion.

#### **NOTE**

*For onshore facilities reported on OGOR-C, volume and quality measurement may occur by tank gauging instead of metering.*

The completed OGOR highlights the following information:

- One line is completed for each API Well Number/Completion Code combination.
- Since the Garfield 1 was recompleted during the month, and no production came from the Moenkopi zone, the **S01** completion is reported as ABD.
- The Garfield 1A is added as POW with an **S02** Completion Code due to the recompletion to the Frontier zone in the single tubing string.

#### **NOTE**

*If the Frontier Formation was part of an agreement, the **S02** would be reported on the agreement, not the lease.*

### OGOR Fact Sheet

Identification Information		Authorization Information	
—For electronic reporting, complete on Report Header only —For paper reporting, complete on all pages of the report		—For electronic reporting, complete on Part –A, -B, and/or -C —For paper reporting, complete on first page only	
Report Type	Original	Contact Name	Gary Lindsey
Production Month (MMCCYY)	052012	Telephone Number	3034444444
ONRR Operator Number	47981	Extension Number	
Operator Name	Mustang Operations	Authorizing Signature	Gary Lindsey
Operator Lease/Agreement Number		Date (MMDDCCYY)	07152012
Operator Lease/Agreement Name	Garfield Bluff	Comments:	
ONRR Lease/Agreement Number			
Agency Lease/Agreement Number	COC2239		



**Example 5-14** Onshore and Offshore—A well is recompleted from one production zone to a different zone in a single tubing string (cont.)

**OGOR-A Detail Information**

Action Code	API Well Number	Producing Interval	Operator Well Number	Well Status Code	Days Produced	Production Volumes			Injection Volume (bbl/Mcf)
						Oil/Cond. (bbl)	Gas (Mcf)	Water (bbl)	
A	051030012300	S01	Garfield 1	ABD					
A	051030012300	S02	Garfield 1A	POW	28	275		100	
A	051030011600	S01	Garfield 2	POW	28	275		160	
<b>Total production</b>						550		260	
<b>Total Injection</b>									

**OGOR-B Detail Information**

Action Code	Disposition Code	Metering Point	Gas Plant	API Gravity	Btu	Disposition Volumes		
						Oil/Cond. (bbl)	Gas (Mcf)	Water (bbl)
A	10					550		
A	27							260
<b>Disposition Totals</b>						550		260

**OGOR-C Detail Information**

Action Code	Product Code	Inv. Storage Point No.	Metering Point No.	API Gravity	Beginning Inventory	Production	Sales	Adjustments		Ending Inventory
								Code	Vol	
A	01	Tank 73	LACT 123	32.5	20	550	300			270
<b>Totals</b>					20	550	300			270

**Example 5-15 Onshore and Offshore—Completion abandonment occurs to one producing interval of a dually completed well**

Key considerations (schematic not shown):

- A Federal lease has two producing oil completions and one shut-in oil completion.
- The Garfield 1 well is a dually completed well with producing intervals in the Moenkopi and Frontier Formations.
- During the report month of April 2012, the Frontier Formation of the Garfield 1 (D01) well produces for 3 days and is shut in. The Moenkopi Formation (D02) is shut in until abandonment procedures begin.
- Abandonment of the Moenkopi completion (D02) is finished in May 2012.

**NOTE**

*For onshore facilities reported on OGOR-C, volume and quality measurement may occur by tank gauging instead of metering.*

The completed OGORs highlight the following information.

**Report for production month 042012. See OGOR Fact Sheet #1.**

- One line is completed for each API well number/completion code combination.
- Even though the Garfield 1 (D01) well was shut in at the end of the month, it is still reported as producing. It must be reported as a POW (Producing Oil Well) for the April 2012 report month because it produced for 3 days.
- Because the Garfield 1A (D02) well was shut in awaiting abandonment, the well status would be reported as OSI (Oil Shut In) for the April 2012 production month.

**Report for production month 052012. See OGOR Fact Sheet #2.**

The OGOR-A for the Garfield 1A (D02) well shows an ABD (Abandoned) well status to indicate that the D02 completion was abandoned for May 2012. A well with an ABD status is required to be reported only once; this well would not be on the June 2012 OGOR-A.

**Example 5-15** Onshore and Offshore—Completion abandonment occurs to one producing interval of a dually completed well (cont.)

**OGOR Fact Sheet #1**

Identification Information		Authorization Information	
—For electronic reporting, complete on Report Header only —For paper reporting, complete on all pages of the report		—For electronic reporting, complete on Part –A, -B, and/or -C —For paper reporting, complete on first page only	
Report Type	Original	Contact Name	Gary Lindsey
Production Month (MMCCYY)	042012	Telephone Number	3034444444
ONRR Operator Number	K4012	Extension Number	
Operator Name	Mustang Operations	Authorizing Signature	Gary Lindsey
Operator Lease/Agreement Number		Date (MMDDCCYY)	06152012
Operator Lease/Agreement Name	Garfield Bluff	Comments:	
ONRR Lease/Agreement Number			
Agency Lease/Agreement Number	COC2239		

**OGOR-A Detail Information**

Action Code	API Well Number	Producing Interval	Operator Well Number	Well Status Code	Days Produced	Production Volumes			Injection Volume (bbl/Mcf)
						Oil/Cond. (bbl)	Gas (Mcf)	Water (bbl)	
A	051030012300	D01	Garfield 1A	OSI	00				
A	051030012300	D02	Garfield 1	POW	03	20		25	
A	051030011600	S01	Garfield 3	POW	30	600		150	
<b>Total production</b>						620		175	
<b>Total Injection</b>									

**OGOR-B Detail Information**

Action Code	Disposition Code	Metering Point	Gas Plant	API Gravity	Btu	Disposition Volumes		
						Oil/Cond. (bbl)	Gas (Mcf)	Water (bbl)
A	10					620		
A	27							175
<b>Disposition Totals</b>						620		175

**OGOR-C Detail Information**

Action Code	Product Code	Inv. Storage Point No.	Metering Point No.	API Gravity	Beginning Inventory	Production	Sales	Adjustments		Ending Inventory
								Code	Vol	
A	01	08367380333	45003800333	32.5	10	620	610			20
<b>Totals</b>					10	620	610			20

## 5 How to Complete the OGOR

**Example 5-15** Onshore and Offshore—Completion abandonment occurs to one producing interval of a dually completed well (cont.)

### OGOR Fact Sheet #2

Identification Information		Authorization Information	
—For electronic reporting, complete on Report Header only —For paper reporting, complete on all pages of the report		—For electronic reporting, complete on Part –A, -B, and/or -C —For paper reporting, complete on first page only	
Report Type	Original	Contact Name	Gary Lindsey
Production Month (MMCCYY)	052012	Telephone Number	3034444444
ONRR Operator Number	K4012	Extension Number	
Operator Name	Mustang Operations	Authorizing Signature	Gary Lindsey
Operator Lease/Agreement Number		Date (MMDDCCYY)	07152012
Operator Lease/Agreement Name	Garfield Bluff	Comments:	
ONRR Lease/Agreement Number			
Agency Lease/Agreement Number	COC2239		

### OGOR-A Detail Information

Action Code	API Well Number	Producing Interval	Operator Well Number	Well Status Code	Days Produced	Production Volumes			Injection Volume (bbl/Mcf)
						Oil/Cond. (bbl)	Gas (Mcf)	Water (bbl)	
A	051030012300	D02	Garfield 1A	ABD					
A	051030012300	D01	Garfield 1	POW	28	275		100	
A	051030011600	S01	Garfield 3	POW	27	515		160	
<b>Total production</b>						790		260	
<b>Total Injection</b>									

### OGOR-B Detail Information

Action Code	Disposition Code	Metering Point	Gas Plant	API Gravity	Btu	Disposition Volumes		
						Oil/Cond. (bbl)	Gas (Mcf)	Water (bbl)
A	10					790		
A	27							260
<b>Disposition Totals</b>						790		260

### OGOR-C Detail Information

Action Code	Product Code	Inv. Storage Point No.	Metering Point No.	API Gravity	Beginning Inventory	Production	Sales	Adjustments		Ending Inventory
								Code	Vol	
A	01	08367380333	42500380333	32.5	20	790	770			40
<b>Totals</b>					20	790	770			40

## New Onshore and Offshore Example

### **Example 5-16** Onshore and Offshore—Gas flared and vented

Key considerations (schematic not shown):

- A Federal Unit has two producing oil wells and two producing gas wells.
- Oil is transferred through a Lease Automatic Custody Transfer (LACT) unit to the main sales facility or it is sold at the LACT unit. Gas is metered and then transferred to the gas plant.
- Unprocessed gas is flared from the oil wells and vented from the gas wells.
- Produced water is trucked off the unit.

#### **NOTE**

*Flaring and venting requires prior approval for onshore and offshore operations.*

The completed OGORs highlight the following information.

#### **Identification/Authorization Information**

Only the ONRR-assigned lease/agreement number is entered

#### **OGOR-A**

Four lines are completed – one for each well.

#### **OGOR-B**

- A separate line is completed for each type of product disposition.
- Oil is sold at the LACT unit as direct sales.
- Currently the Metering Point Number field is not completed because this is an onshore lease/agreement. (Offshore reports require an approved metering point number (FMP) to identify the meter at which gas is sold from the lease.)
- The Btu field is completed because the wet gas was transferred to a gas plant.
- The gas plant number is completed to identify the gas plant.
- Disposition Code **21** (Flared Oil-Well Gas) is reported for gas flared from an oil well.
- Disposition Code **62** (Vented Gas-Well Gas) is reported for gas vented from a gas well.

## 5 How to Complete the OGOR

### Example 5-16 Onshore and Offshore—Gas flared and vented (cont.)

#### OGOR Fact Sheet

Identification Information		Authorization Information	
—For electronic reporting, complete on Report Header only —For paper reporting, complete on all pages of the report		—For electronic reporting, complete on Part –A, -B, and/or -C —For paper reporting, complete on first page only	
Report Type	Original	Contact Name	John Doe
Production Month (MMCCYY)	042012	Telephone Number	7165551234
ONRR Operator Number	N2601	Extension Number	240
Operator Name	ABC Petroleum	Authorizing Signature	John Smith
Operator Lease/Agreement Number	14-08-0001-3261A	Date (MMDDCCYY)	06152012
Operator Lease/Agreement Name	ABC Unit Carbon PA	Comments:	
ONRR Lease/Agreement Number	891003261A		
Agency Lease/Agreement Number			

#### OGOR-A Detail Information

Action Code	API Well Number	Producing Interval	Operator Well Number	Well Status Code	Days Produced	Production Volumes			Injection Volume (bbl/Mcf)
						Oil/Cond. (bbl)	Gas (Mcf)	Water (bbl)	
A	151030086900	S01	Branch 2	08	30	3000	2000	75	
A	151030087300	S01	Branch 3	08	30	6500	4000	150	
A	151030087500	S01	Gray 1	11	30	5000	3500	100	
A	151030089000	S01	Gray 2	11	30	4000	2700	90	
<b>Total production</b>						18500	12200	415	
<b>Total Injection</b>									

#### OGOR-B Detail Information

Action Code	Disposition Code	Metering Point	Gas Plant	API Gravity	Btu	Disposition Volumes		
						Oil/Cond. (bbl)	Gas (Mcf)	Water (bbl)
A	01			30.9		18500		
A	11		02151030001		1200		11425	
A	21						550	
A	62						125	
A	20						100	
A	27							415
<b>Disposition Totals</b>						18500	12200	415

**Example 5-17A****Onshore and Offshore—Buy-Back meter installed after point of sale (Buy-Back volume is less than Sales volume)**

## Key considerations for Buy-Back:

- For **Offshore**, “Buy-Back” refers to purchasing oil/gas directly from the pipeline for lease use such as, fuel for equipment, gas-lift, and/or pigging.
- Volumes are measured through a Buy-Back meter located after the sales meter. BSEE approval is required for Buy-Back meter installation.
- When the Buy-Back volume is less than the sales meter volume, that implies the production volume is greater than the total fuel (Used on L/A) volume. Therefore, the total fuel volume is derived from native production. The remaining native production added to the Buy-Back volume will equal the volume measured at the sales meter.
- For **Onshore**, “Buy-Back” refers to purchasing oil/gas from off-lease or agreement for use on lease/agreement.

**OGOR-A**

Report all wells and total production for the Lease/Agreement. Buy-Back oil/gas should **NOT** be reported on the OGOR-A.

**OGOR-B**

- Report the volume of oil/gas subject to royalty using Disposition Code **01** (Sales-Royalty Due-MEASURED).
- The volume of oil/gas subject to royalty is based on the volume measured by the Sales Meter **minus** the volume measured by the Buy-Back Meter.
- Report all **native** production used on or for the benefit of the lease/agreement using Disposition Code **20** (used on L/A — Native Production Only).
- Report the Buy-Back oil/gas volume purchased from a pipeline or off-lease using Disposition Code **25** (Buy-Back Purchased for L/A Use). **Volume must be a negative number.**
- Report **ALL** the Buy-Back oil/gas volume intended for lease/agreement use; but was not used, and left the L/A through a Sales Meter using Disposition Code **15** (Sales –Buy Back — Measured — Royalty Not Due). **Non-native production only; FMP required for Offshore.**

## 5 How to Complete the OGOR

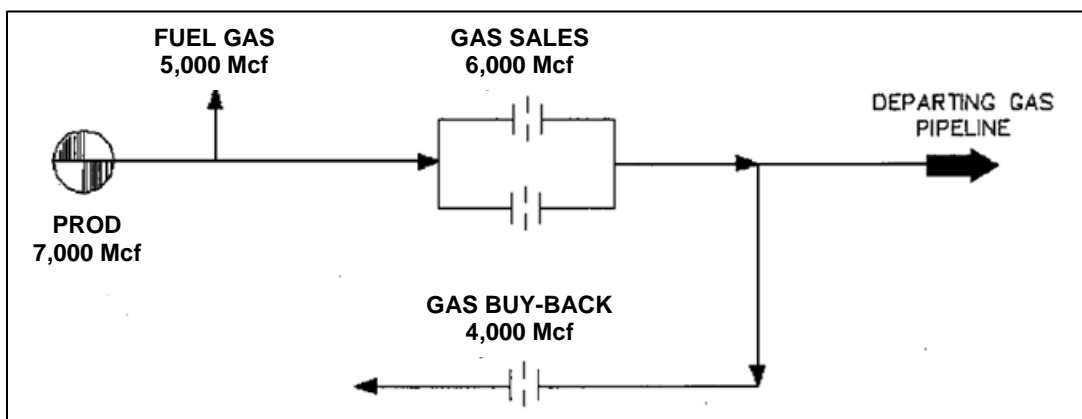
### Example 5-17A

**Onshore and Offshore—Buy-Back meter installed after point of sale (Buy-Back volume is less than Sales volume) (cont.)**

#### Offshore

The Gas Volume Statements/Run Tickets for each Sales meter **AND** Buy-Back Meter must be submitted monthly to the appropriate BSEE Regional Office. **The monthly Gas Volume Statements/Run Tickets must be submitted even if the volume is zero.**

Volume of gas measured by the Sales Meter:	6,000 Mcf
Volume of gas measured by the Buy-Back Meter:	4,000 Mcf
Volume of gas subject to Royalty:	2,000 Mcf



### OGOR Fact Sheet

Identification Information		Authorization Information	
—For electronic reporting, complete on Report Header only —For paper reporting, complete on all pages of the report		—For electronic reporting, complete on Part -A, -B, and/or -C —For paper reporting, complete on first page only	
Report Type	Original	Contact Name	Harry Smith
Production Month (MMCCYY)	022012	Telephone Number	5042365600
ONRR Operator Number	F2011	Extension Number	
Operator Name	XYZ Company	Authorizing Signature	Harry Smith
Operator Lease/Agreement Number	OCS-G 6500	Date (MMDDCCYY)	04152012
Operator Lease/Agreement Name	WC 24	Comments: Buy-Back volume = 4,000 Mcf gas	
ONRR Lease/Agreement Number	0540065000		
Agency Lease/Agreement Number			



**Example 5-17A**

Onshore and Offshore—Buy-Back meter installed after point of sale (Buy-Back volume is less than Sales volume) (cont.)

**OGOR-A Detail Information**

Action Code	API Well Number	Producing Interval	Operator Well Number	Well Status Code	Days Produced	Production Volumes			Injection Volume (bbl/Mcf)
						Oil/Cond. (bbl)	Gas (Mcf)	Water (bbl)	
A	177090333100	S01	A9	11	29	30	2000	10	
A	177090444600	S01	A16	11	29	70	2000	80	
A	177090555900	S01	A5	11	29	100	3000	30	
<b>Total production</b>						200	7000	120	
<b>Total Injection</b>									

**OGOR-B Detail Information**

Action Code	Disposition Code	Metering Point	Gas Plant	API Gravity	Btu	Disposition Volumes		
						Oil/Cond. (bbl)	Gas (Mcf)	Water (bbl)
A	01	20050775402		45.2		200		
A	01	3017707K00A			1072		2000	
A	15	3017707K00A			1072		4000	
A	20						5000	
A	25						-4000	
A	27							120
<b>Disposition Totals</b>						200	7000	120

**NOTE**

A PASR is required for oil buy-back only in Other Sources field. (See Chapter 6 – How to Complete the PASR)

**Example 5-17B** Onshore and Offshore—Buy-Back meter installed after point of sale (Buy-Back volume is greater than Sales volume)

Key considerations for Buy-Back:

- When the Buy-Back volume is greater than the sales volume, that implies the production volume is less than the total fuel volume. Therefore, a portion of the fuel volume is derived from the Buy-Back volume. The remaining portion of the Buy-Back volume is measured by the Sales meter and royalty is NOT due on this volume.
- Volumes are measured through a Buy-Back meter located after the Sales Meter. BSEE approval is required for Buy-Back meter installation.

**OGOR-A**

Report all wells and total production for the Lease/Agreement. Buy-Back oil/gas should **NOT** be reported on OGOR-A.

**OGOR-B**

- Report the Buy-Back oil/gas volume purchased from pipeline or off-lease using Disposition Code **25** (Buy-Back Purchased for L/A Use). **Volume must be a negative number.**
- Report all native oil/gas production used on or for the benefit of the L/A, such as fuel to operate production facilities on the L/A, using Disposition Code **20** (Used on L/A–Native Production Only).
- Report the portion of the Buy-Back oil/gas volume used on or for the benefit of the L/A using Disposition Code **26** (Buy-Back–Used on L/A). **Non-native production only.**
- Report the portion of the Buy-Back oil/gas volume not used that month and directed back through the Sales meter using Disposition Code **15** (Sales–Buy-Back–Measured–Royalty Not Due). **Non-native production only. FMP required (Sales meter) for Offshore.**

**NOTE**

*The combined totals reported with Disposition Code **15** and Disposition Code **26** must equal (offset) Disposition Code **25**.*

**Example 5-17B****Onshore and Offshore—Buy-Back meter installed after point of sale (Buy-Back volume is greater than Sales volume) (cont.)****OGOR-B (cont.)**

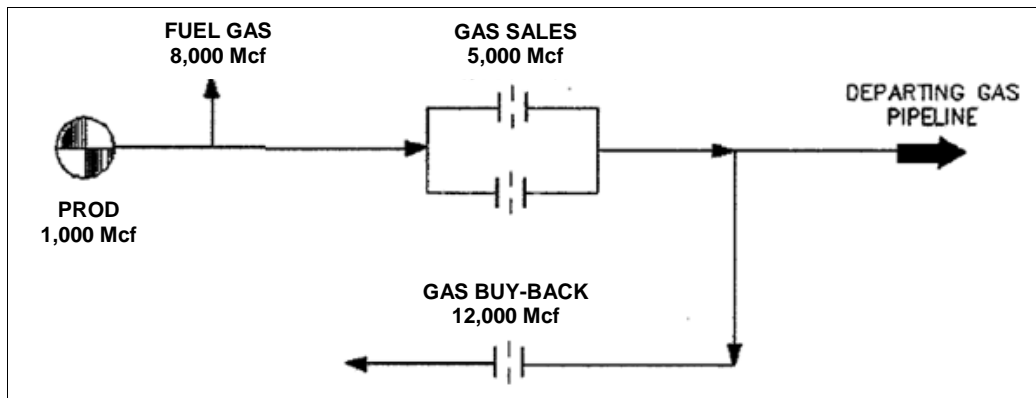
- Enter a remark in the Comment field stating Buy-Back volume greater than sales volume.

**Offshore**

The Gas Volume Statements/Run Tickets for each Sales meter **AND** Buy-Back meter must be submitted monthly to the appropriate BSEE Regional Office.

**The monthly Gas Volume Statements/Run Tickets must be submitted even if the volume is zero.**

Volume of gas measured by the Sales Meter:	5,000 Mcf
Volume of gas measured by the Buy-Back Meter:	12,000 Mcf
Volume of gas used on L/A (Native production):	1,000 Mcf
Volume of gas subject to Royalty:	7,000 Mcf

**OGOR Fact Sheet**

Identification Information		Authorization Information	
—For electronic reporting, complete on Report Header only —For paper reporting, complete on all pages of the report		—For electronic reporting, complete on Part -A, -B, and/or -C —For paper reporting, complete on first page only	
Report Type	Original	Contact Name	Bob Wilson
Production Month (MMCCYY)	042012	Telephone Number	5042365600
ONRR Operator Number	F2011	Extension Number	
Operator Name	XYZ Company	Authorizing Signature	Bob Wilson
Operator Lease/Agreement Number	OCS-G 6500	Date (MMDDCCYY)	06152012
Operator Lease/Agreement Name	WC 24	Comments: Buy-Back volume (12,000) is greater than sales volume.	
ONRR Lease/Agreement Number	0540065000		
Agency Lease/Agreement Number			

## 5 How to Complete the OGOR

### Example 5-17B

Onshore and Offshore—Buy-Back meter installed after point of sale (Buy-Back volume is greater than Sales volume) (cont.)

#### OGOR-A Detail Information

Action Code	API Well Number	Producing Interval	Operator Well Number	Well Status Code	Days Produced	Production Volumes			Injection Volume (bbl/Mcf)
						Oil/Cond. (bbl)	Gas (Mcf)	Water (bbl)	
A	177090333100	S01	A9	11	30	30	200	15	
A	177090444600	S01	A16	11	30	70	500	80	
A	177090555900	S01	A5	11	30	100	300	30	
<b>Total production</b>						200	1000	125	
<b>Total Injection</b>									

#### OGOR-B Detail Information

Action Code	Disposition Code	Metering Point	Gas Plant	API Gravity	Btu	Disposition Volumes		
						Oil/Cond. (bbl)	Gas (Mcf)	Water (bbl)
A	01	20050775402		45.2		200		
A	20						1000	
A	25						-12000	
A	26						7000	
A	15	3017707K00A					5000	
A	27							125
<b>Disposition Totals</b>						200	1000	125

#### PASR Fact Sheet

Identification Information		Authorization Information	
—For electronic reporting, complete on Report Header only —For paper reporting, complete on all pages of the report		—For electronic reporting, complete on Part -A, -B, and/or -C —For paper reporting, complete on first page only	
Report Type	Original	Contact Name	Bob Wilson
Production Month (MMCCYY)	042012	Telephone Number	5042365600
ONRR Operator Number	F2011	Extension Number	
Operator Name	XYZ Company	Authorizing Signature	Bob Wilson
Facility/Metering Point Number	20050775402	Date (MMDDCCYY)	06152012
API Gravity		Comments:	
Btu	1072		
Output Facility/Metering Point			
Sales Facility/Metering Point			
Operator Facility Name/Location			

**Example 5-17B**

**Onshore and Offshore—Buy-Back meter installed after point of sale (Buy-Back volume is greater than Sales volume) (cont.)**

**PASR Detail Information**

Action Code	Operator Area/Block	Injector	Metering Point	ONRR Lease/ Agreement Number	Sales/ Transfers
A	WC-24	G		0540065000	200
A			OTHER SOURCES		50
<b>Total</b>					250

**Example 5-18**

**Onshore and Offshore—OGOR-A modified when API well number changed**

Key considerations (no reports or schematics are shown):

- The API well number is corrected by the appropriate BLM or BSEE district office.
- Report the corrected API well number on the OGOR-A beginning with the production month when the change becomes effective.
- Do not modify previously submitted OGORs. ONRR corrects the API well number on prior reports for you.
- If you modify OGORs for any other changes before or after the API well number change, use Delete and Add lines to show the corrected API well number.

5.3.3

## **OGOR Correction Reporting Examples**

This section explains how to correct reports and includes examples. See **Error Detection and Correction, Chapter 2, Section 2.5** for other important information.

There are two methods for correcting previously submitted data:

- **Modify**—Use a Modify report for small changes in data. For example, a new well came on that you left off the original report; and you need to add it, but there are no or few volume changes.
- **Replace**—Use a Replace report if there are so many changes in production and disposition volumes that it could make a Modify report more difficult.

5.3.3.1

### **Modify Reporting**

When ONRR processes a Modify report, only your modified data replaces the data you previously submitted. Follow these procedures to complete each section of a Modify report.

#### **Identification/Authorization Information**

We encourage you to state the reason for the Modify report in the Comments field **only on the first page** of the report.

**Step 1** Check the **Modify report type field** because this report is only correcting the data that are incorrect.

**Step 2** Complete the following key fields exactly as reported on your original submission:

- ONRR Lease/Agreement Number or Agency Lease/Agreement Number,
- ONRR Operator Number, and
- Production Month.

**Step 3** Complete all other identification/authorization fields to aid ONRR in error identification.

#### **Detail Information—OGOR-A, -B, -C**

For each line containing an originally reported error, report the:

- Original line in its entirety as previously accepted but with an action code of **D**. (The Delete line must be reported prior to the Add line.)
- Corrected Add line in its entirety with an action code of **A** to replace the line deleted.

### Example 5-19 Onshore and Offshore—Modify OGOR

In this example, the oil production volume for a well was reported incorrectly. The key considerations and schematic are the same as those for **Example 5-2** on page 5-25.

The data used in completing a Modify OGOR-A, -B, and -C that differs from the data in **Example 5-2** are as follows.

Field title	Original data	Modified data
OGOR-A Production Volume/well #2	1,200 bbl	120 bbl
OGOR-B Disposition Volume – oil	6,700 bbl	5,620 bbl
OGOR-C Production	6,700 bbl	5,620 bbl
Ending Inventory	4,000 bbl	2,920 bbl

#### Identification/Authorization Information

- The **Modify Report type fields** on OGOR-A, -B, and -C are marked because this report is modifying a previously submitted report.
- All other identification information is completed on OGOR-A, -B, and -C.
- The authorization information is completed only on OGOR-A. The authorization information date must be later than the last report submitted.
- The Comments field is completed only on OGOR-A.

#### OGOR-A

- The original line is entered in its entirety using action code **D**.
- The correct well data is added using action code **A**.
- Because Delete lines have an assumed negative value and Add lines have a positive value, the Total Production field volumes for oil and water are -1080 and 0, respectively. Care should be taken to have a net change on OGOR-B and -C of -1080 and 0. See the Fact Sheet.

#### OGOR-B

- The incorrect disposition data are entered exactly as reported on the original submission, except action code **D** is used to delete the line. The correct disposition data are added using code **A**.
- Report all OGOR-B lines including corrected data.

**Example 5-19 Onshore and Offshore—Modify OGOR (cont.)****OGOR-C**

Because adjustment code 10 (Produced into Inventory Prior to Sales) was modified on Part B, and OGOR-C is also needed. The incorrect data is entered exactly as reported on the original submission, **except** action code **D** is used to delete the line. The correct information is added using action code **A**.

**NOTE**

*Because this modification results in a change to the Ending Inventory field of the facility, the Beginning Inventory field for the next production month is also affected. A modify OGOR-C (not shown) for subsequent production month(s) must also be submitted with the assumption that the original reports were already submitted and processed. That is, the inventory totals must be corrected for all reports already submitted.*

**OGOR Fact Sheet**

Identification Information		Authorization Information	
—For electronic reporting, complete on Report Header only —For paper reporting, complete on all pages of the report		—For electronic reporting, complete on Part –A, -B, and/or -C —For paper reporting, complete on first page only	
Report Type	Modify	Contact Name	John Doe
Production Month (MMCCYY)	042012	Telephone Number	7154441234
ONRR Operator Number	F6032	Extension Number	240
Operator Name	XYZ Oil	Authorizing Signature	John Smith
Operator Lease/Agreement Number	OCS-G 5554	Date (MMDDCCYY)	08152012
Operator Lease/Agreement Name	Ship Shoal 190	Comments: Modify report—oil production volume for a well was reported incorrectly.	
ONRR Lease/Agreement Number	0540055540		
Agency Lease/Agreement Number			

**OGOR-A Detail Information**

Action Code	API Well Number	Producing Interval	Operator Well Number	Well Status Code	Days Produced	Production Volumes			Injection Volume (bbl/Mcf)
						Oil/Cond. (bbl)	Gas (Mcf)	Water (bbl)	
D	177002467800	S01	2	08	30	1200		250	
A	177002467800	S01	2	08	31	120		250	
<b>Total production</b>						-1080		0	
<b>Total Injection</b>									



**Example 5-19****Onshore and Offshore—Modify OGOR (cont.)****OGOR-B Detail Information**

Action Code	Disposition Code	Metering Point	Gas Plant	API Gravity	Btu	Disposition Volumes		
						Oil/Cond. (bbl)	Gas (Mcf)	Water (bbl)
D	10					6700		
A	10					5620		
<b>Disposition Totals</b>						-1080		

**OGOR-C Detail Information**

Action Code	Product Code	Inv. Storage Point No.	Metering Point No.	API Gravity	Beginning Inventory	Production	Sales	Adjustments		Ending Inventory
								Code	Vol	
D	01	01177000010	20177000010	42.9	2200	6700	4900			4000
A	01	01177000010	20177000010	42.9	2200	5620	4900			2920
<b>Totals</b>					0	-1080	0			-1080

## 5.3.3.2

**Replace Reporting**

Replace reporting is another method available for correction reporting. With this method, the data from the original report are overlaid in our system with the replace information. If you use this method, be sure to include all of the information you need to report. Don't report only the information you need to change or add. Follow these procedures to complete each section of a Replace report. All wells need to be shown on a Replace report.

**Identification/Authorization Information**

We encourage you to state the reason for the Replace report in the Comments field **only on the first page** of the report.

- Step 1 Check the **Replace report type field** because this report is replacing a previously submitted report.
- Step 2 Complete the following key fields exactly as **should have been reported** on your original submission:
- ONRR Lease/Agreement Number or Agency Lease/Agreement Number,
  - ONRR Operator Number, and
  - Production Month.
- Step 3 Complete all other identification/authorization fields to aid ONRR in error identification.

**Detail Information**

For each line that should have been originally reported on OGOR-A, -B, or -C, report the replacement line in its entirety with an action code of **A**.

**Example 5-20 Onshore and Offshore—Replace OGOR**

In this example the oil production volume for a well was reported incorrectly. The key considerations and schematic are the same as those for **Example 5-2** on page 5-25.

**Identification/Authorization Information**

- The **Replace report type fields** on OGOR-A, -B, and -C are marked because this report is modifying a previously submitted report.
- All other identification information is completed on OGOR-A, -B, and -C.
- The authorization information is completed only on OGOR-A. The authorization information date must be later than the last report submitted.
- The Comments field is completed only on OGOR-A.

**OGOR-A**

The correct well data are listed using action code **A**.

**OGOR-B**

- Report all OGOR-B lines including corrected data and excluding any incorrect data.
- The correct disposition data are added using action code **A**.

**OGOR Fact Sheet**

Identification Information		Authorization Information	
—For electronic reporting, complete on Report Header only —For paper reporting, complete on all pages of the report		—For electronic reporting, complete on Part –A, -B, and/or -C —For paper reporting, complete on first page only	
Report Type	Replace	Contact Name	John Doe
Production Month (MMCCYY)	042012	Telephone Number	7165551234
ONRR Operator Number	F6032	Extension Number	240
Operator Name	XYZ Oil	Authorizing Signature	John Smith
Operator Lease/Agreement Number	OCS-G 5554	Date (MMDDCCYY)	08152012
Operator Lease/Agreement Name	Ship Shoal 190	Comments: Corrects oil production volume.	
ONRR Lease/Agreement Number	0540055540		
Agency Lease/Agreement Number			

**Example 5-20****Onshore and Offshore—Replace OGOR (cont.)****OGOR-A Detail Information**

Action Code	API Well Number	Producing Interval	Operator Well Number	Well Status Code	Days Produced	Production Volumes			Injection Volume (bbl/Mcf)
						Oil/Cond. (bbl)	Gas (Mcf)	Water (bbl)	
A	177002467700	S01	1	11	30	1000	10000		
A	177002467800	S01	2	08	30	120		250	
A	177002467900	S01	3	08	30	4500	1200		
<b>Total production</b>						5620	11200	250	
<b>Total Injection</b>									

**OGOR-B Detail Information**

Action Code	Disposition Code	Metering Point	Gas Plant	API Gravity	Btu	Disposition Volumes		
						Oil/Cond. (bbl)	Gas (Mcf)	Water (bbl)
A	01	3017700AB00			1150		11200	
A	10					5620		
A	27							250
<b>Disposition Totals</b>						5620	11200	250

**OGOR-C Detail Information**

Action Code	Product Code	Inv. Storage Point No.	Metering Point No.	API Gravity	Beginning Inventory	Production	Sales	Adjustments		Ending Inventory
								Code	Vol	
A	01	01177000010	20177000010	42.9	2200	5620	4900			2920
<b>Totals</b>					2200	5620	4900			2920

**OGOR Onshore Examples**

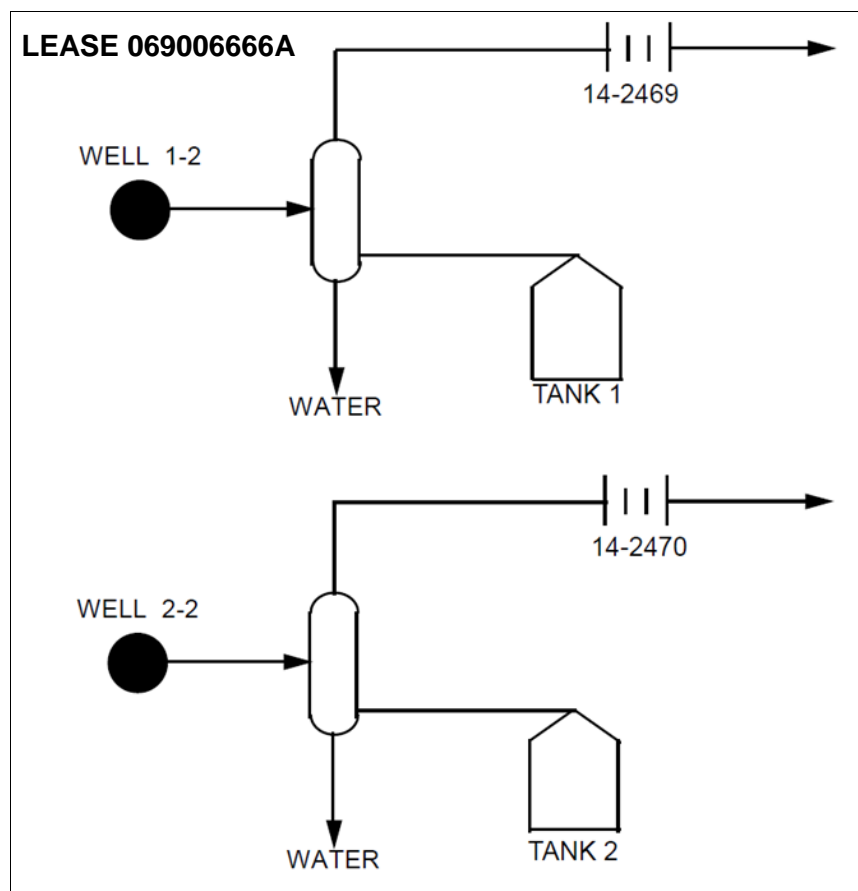
**Example 5-21 Onshore—Split interest in Federal and non-Federal lease**

Key considerations:

- The Federal mineral interest is 25 percent.
- Oil is produced into two storage facilities.
- Produced gas is used to fuel the production equipment. The remainder is sold directly from the lease.

**NOTE**

*For onshore facilities reported on OGOR-C, volume and quality measurement may occur by tank gauging instead of metering.*



**Example 5-21****Onshore—Split interest in Federal and non-Federal lease (cont.)****OGOR-A**

Total production from each well is reported.

**OGOR-B**

- All dispositions are reported.
- Total gas lease sales are reported under Disposition Code **01** (Sales—Royalty Due—MEASURED).

**OGOR-C**

Production, sales, and inventory volumes reported are the total for each facility.

**NOTE**

*The mineral interest for a lease does not affect the total production reported on the OGOR. You must report 100 percent of lease production. Mineral interest is considered only when calculating royalty payments on the Form ONRR-2014.*

**OGOR Fact Sheet**

Identification Information		Authorization Information	
—For electronic reporting, complete on Report Header only —For paper reporting, complete on all pages of the report		—For electronic reporting, complete on Part –A, -B, and/or -C —For paper reporting, complete on first page only	
Report Type	Original	Contact Name	John Doe
Production Month (MMCCYY)	042012	Telephone Number	7165551234
ONRR Operator Number	N0201	Extension Number	240
Operator Name	XYZ Oil Company	Authorizing Signature	John Smith
Operator Lease/Agreement Number	COC-6666A	Date (MMDDCCYY)	08152012
Operator Lease/Agreement Name	Hickory Federal #2	Comments:	
ONRR Lease/Agreement Number	069006666A		
OR Agency Lease/Agreement Number			

**OGOR-A Detail Information**

Action Code	API Well Number	Producing Interval	Operator Well Number	Well Status Code	Days Produced	Production Volumes			Injection Volume (bbl/Mcf)
						Oil/Cond. (bbl)	Gas (Mcf)	Water (bbl)	
A	050770123400	S01	1-2	08	30	2900	2000	60	
A	050770123600	S01	2-2	08	30	2600	2200	65	
<b>Total production</b>						5500	4200	125	
<b>Total Injection</b>									

5 How to Complete the OGOR

**Example 5-21**

**Onshore—Split interest in Federal and non-Federal lease (cont.)**

**OGOR-B Detail Information**

Action Code	Disposition Code	Metering Point	Gas Plant	API Gravity	Btu	Disposition Volumes		
						Oil/Cond. (bbl)	Gas (Mcf)	Water (bbl)
A	01	14-2469			1150		1985	
A	01	14-2470			1150		2185	
A	20						30	
A	10					5500		
A	27							125
<b>Disposition Totals</b>						5500	4200	125

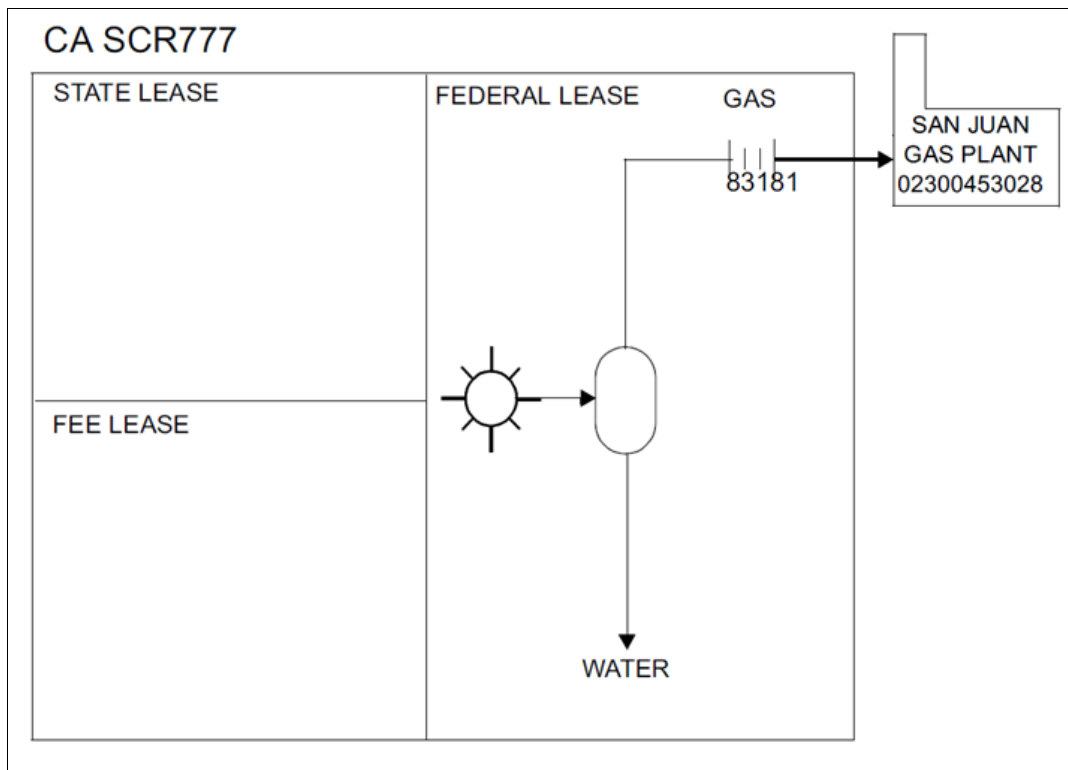
**OGOR-C Detail Information**

Action Code	Product Code	Inv. Storage Point No.	Metering Point No.	API Gravity	Beginning Inventory	Production	Sales	Adjustments		Ending Inventory
								Code	Vol	
A	01	Tank 1		36.5	100	2900	2500			500
A	01	Tank 2		37.2	200	2600	2700			100
<b>Totals</b>					300	5500	5200			600

**Example 5-22****Onshore—Communitization agreement with one producing gas well**

Key considerations:

- One Federal lease, one State lease, and one fee lease are committed to the agreement.
- Gas is transferred to the San Juan Gas Plant (02300453028).
- Water is produced and trucked off the lease for disposal.



The completed OGOR highlights the following information:

- The **Communitization Agreement (CA)** number is reported in the Agency Lease/Agreement Number field, using the BLM-assigned number.
- The **operator name** and **number** must be entered.
- Select the **production month and year** from the drop-down menu.
- Although the lands in the CA are not 100 percent Federal, **100 percent of the CA's production and disposition (not just the Federal portion), must be reported** on the OGOR.
- The sum of the volume of gas and water reported as **produced** on the OGOR-A must equal the volumes reported on the OGOR-B.

**Example 5-22 Onshore—Communitization agreement with one producing gas well (cont.)**

The completed OGOR highlights the following information: (continued)

- Water trucked off the CA is reported as Disposition Code **27** (Water Disposal—Other than Injected/Transferred).
- Because the gas is transferred to a gas plant for processing, the operator must report the correct **gas plant number**.
- **Btu** is required when gas is transferred to a gas plant.
- The report must have an **original signature** (for paper reports) and the **date** the report was completed entered on the first page only.
- For paper OGORS **only** – Enter the appropriate **page** numbers for paper reports.

**OGOR Fact Sheet**

Identification Information		Authorization Information	
—For electronic reporting, complete on Report Header only —For paper reporting, complete on all pages of the report		—For electronic reporting, complete on Part –A, -B, and/or -C —For paper reporting, complete on first page only	
Report Type	Original	Contact Name	John Doe
Production Month (MMCCYY)	042012	Telephone Number	7165551234
ONRR Operator Number	A4718	Extension Number	240
Operator Name	Cotton Oil	Authorizing Signature	John Smith
Operator Lease/Agreement Number	SCR-777	Date (MMDDCCYY)	08152012
Operator Lease/Agreement Name	Buck	Comments:	
ONRR Lease/Agreement Number			
Agency Lease/Agreement Number	SCR777		

**OGOR-A Detail Information**

Action Code	API Well Number	Producing Interval	Operator Well Number	Well Status Code	Days Produced	Production Volumes			Injection Volume (bbl/Mcf)
						Oil/Cond. (bbl)	Gas (Mcf)	Water (bbl)	
A	300450784200	S01	1 Buck	11	29		35251	158	
<b>Total production</b>							35251	158	
<b>Total Injection</b>									

**OGOR-B Detail Information**

Action Code	Disposition Code	Metering Point	Gas Plant	API Gravity	Btu	Disposition Volumes		
						Oil/Cond. (bbl)	Gas (Mcf)	Water (bbl)
A	11	83141	02300453028		1140		35251	
A	27							158
<b>Disposition Totals</b>							35251	158



**Example 5-23****Onshore—A well belongs to a CA that is partially committed to a PA**

Key considerations:

- One producing gas well has been completed within the CA boundary.
- Two producing gas wells are located within the unit PA, **not within the CA**.
- Gas from all three wells is metered and sent to a gas plant.

**Identification/Authorization Information**

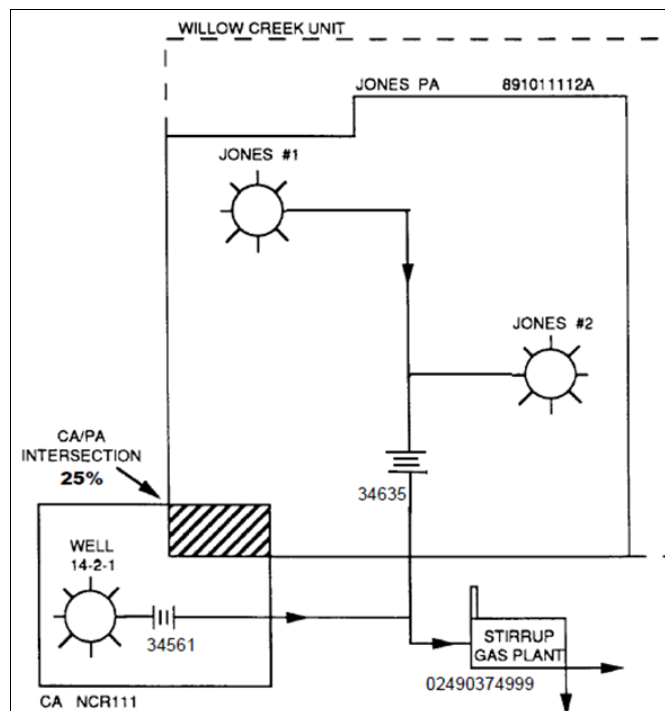
The percentage of the CA production allocated to the PA is shown in the Comments field.

Key considerations:

- Two OGORs are required: one for the CA and one for the PA.
- The CA well is reported using the BLM-assigned CA number; 100 percent of the well production and disposition is reported on the OGOR for the CA (even though it is partially committed to the PA).
- The OGOR for the PA contains only the PA wells.
- 100% of production for CA and PA must be reported.

**NOTE**

*In situations where a CA is **totally** committed to a PA, the CA well would be reported on the OGOR for the PA; no OGOR would be submitted under the CA number.*



## 5 How to Complete the OGOR

### Example 5-23

**Onshore—A well belongs to a CA that is partially committed to a PA (cont.)**

#### OGOR Fact Sheet #1

Identification Information		Authorization Information	
—For electronic reporting, complete on Report Header only —For paper reporting, complete on all pages of the report		—For electronic reporting, complete on Part –A, -B, and/or -C —For paper reporting, complete on first page only	
Report Type	Original	Contact Name	Jean Blue
Production Month (MMCCYY)	042012	Telephone Number	3031116677
ONRR Operator Number	22222	Extension Number	
Operator Name	ALS Operations	Authorizing Signature	Jean Wilson
Operator Lease/Agreement Number		Date (MMDDCCYY)	06152012
Operator Lease/Agreement Name	Willow Creek	Comments: 25 percent of NCR111 allocated to Jones PA 891011112A.	
ONRR Lease/Agreement Number			
Agency Lease/Agreement Number	891011112A		

#### OGOR-A Detail Information

Action Code	API Well Number	Producing Interval	Operator Well Number	Well Status Code	Days Produced	Production Volumes			Injection Volume (bbl/Mcf)
						Oil/Cond. (bbl)	Gas (Mcf)	Water (bbl)	
A	490372223400	S01	Jones #1	PGW	28		23258		
A	490372239100	S01	Jones #2	PGW	28		48691		
<b>Total production</b>						71949			
<b>Total Injection</b>									

#### OGOR-B Detail Information

Action Code	Disposition Code	Metering Point	Gas Plant	API Gravity	Btu	Disposition Volumes		
						Oil/Cond. (bbl)	Gas (Mcf)	Water (bbl)
A	11	34635	02490374999		1109		71949	
<b>Disposition Totals</b>							71949	

**Example 5-23**

**Onshore—A well belongs to a CA that is partially committed to a PA (cont.)**

**OGOR Fact Sheet #2**

Identification Information		Authorization Information	
—For electronic reporting, complete on Report Header only —For paper reporting, complete on all pages of the report		—For electronic reporting, complete on Part –A, -B, and/or -C —For paper reporting, complete on first page only	
Report Type	Original	Contact Name	Jean Blue
Production Month (MMCCYY)	042012	Telephone Number	3031116677
ONRR Operator Number	22222	Extension Number	
Operator Name	ALS Operations	Authorizing Signature	Jean Wilson
Operator Lease/Agreement Number		Date (MMDDCCYY)	06152012
Operator Lease/Agreement Name	Willow Creek	Comments: 25 percent of NCR111 allocated to Jones PA 891011112A.	
ONRR Lease/Agreement Number			
Agency Lease/Agreement Number	NCR111		

**OGOR-A Detail Information**

Action Code	API Well Number	Producing Interval	Operator Well Number	Well Status Code	Days Produced	Production Volumes			Injection Volume (bbl/Mcf)
						Oil/Cond. (bbl)	Gas (Mcf)	Water (bbl)	
A	490372222200	S01	14-2-1	PGW	25		25000		
<b>Total production</b>						25000			
<b>Total Injection</b>									

**OGOR-B Detail Information**

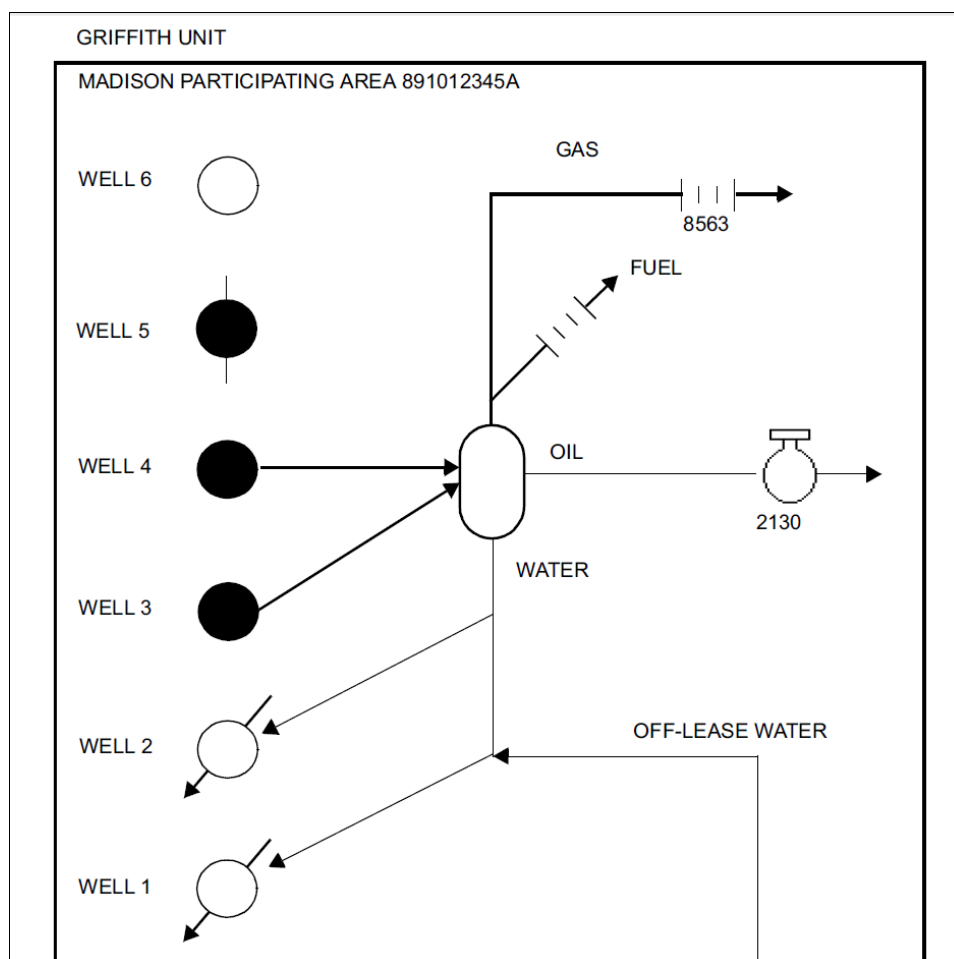
Action Code	Disposition Code	Metering Point	Gas Plant	API Gravity	Btu	Disposition Volumes		
						Oil/Cond. (bbl)	Gas (Mcf)	Water (bbl)
A	11	34561	02490374999		1101		25000	
<b>Disposition Totals</b>							25000	

## 5 How to Complete the OGOR

### Example 5-24 Onshore—Federal unit with one PA

Key considerations:

- The PA contains a Federal lease, State lease, and fee lease.
- The PA contains two producing oil wells, two water injection wells, one temporarily abandoned well, and one well drilling inside the PA boundary.
- The bottom-hole location of the drilling well is within the PA boundary **and** formation.
- **Oil** is sold through a LACT meter.
- Some gas is used to fuel the production equipment, and the rest is metered and sold.
- All produced water is used for injection purposes.
- Off-lease water is brought in for injection purposes.
- There are no producing wells on the Federal lease.



**Example 5-24**      **Onshore—Federal unit with one PA (cont.)**

The completed OGOR highlights the following information:

- Because this unit was approved prior to January 1, 1988, the ONRR lease/agreement number with the appropriate PA suffix is reported.
- The **operator number** must be entered.
- Select the **production month and year** from the eCommerce drop-down menu.
- A temporarily abandoned well must be reported with the applicable completion code of **X01**.
- The Madison #6 well is reported under the PA number because it is being drilled within the PA boundary. A drilling well is always reported with an **X01** completion code. However, drilling wells are not required to be reported.
- The 450 Mcf of fuel gas must be reported as Disposition Code **20** (Used on L/A— Native Production Only).
- The 1,600 bbl of off-lease water used for injection should **not be reported** on the OGOR-B because this production is **not** native to this Lease/ Agreement. Only the water produced on this Lease/Agreement is reported as Disposition Code **14** (Injected on L/A) on OGOR-B. OGOR-A includes the 1,600 bbl in the injection volume column.
- Both the **API Gravity** and **Btu** are completed on OGOR-B because oil and gas are sold directly from the unit.
- Enter the appropriate page numbers for paper reports.

**OGOR Fact Sheet**

Identification Information		Authorization Information	
—For electronic reporting, complete on Report Header only —For paper reporting, complete on all pages of the report		—For electronic reporting, complete on Part –A, -B, and/or -C —For paper reporting, complete on first page only	
Report Type	Original	Contact Name	Mike O’Connell
Production Month (MMCCYY)	042012	Telephone Number	3035551212
ONRR Operator Number	K0861	Extension Number	400
Operator Name	M.D. Operations	Authorizing Signature	Greg Michaels
Operator Lease/Agreement Number		Date (MMDDCCYY)	06152012
Operator Lease/Agreement Name	Griffith	Comments:	
ONRR Lease/Agreement Number	891012345A		
Agency Lease/Agreement Number			

5 How to Complete the OGOR

**Example 5-24**

**Onshore—Federal unit with one PA (cont.)**

**OGOR-A Detail Information**

Action Code	API Well Number	Producing Interval	Operator Well Number	Well Status Code	Days Produced	Production Volumes			Injection Volume (bbl/Mcf)
						Oil/Cond. (bbl)	Gas (Mcf)	Water (bbl)	
A	050812263800	S01	#1 Madison	WIW	28				1000
A	050812263700	S01	#2 Madison	WIW	30				1500
A	050812263500	S01	#3 Madison	POW	30	520	1000	300	
A	050812263600	S01	#4 Madison	POW	30	750	800	600	
A	050812163800	X01	#5 Madison	TA					
A	050814123600	X01	#6 Madison	DRG					
<b>Total production</b>						1270	1800	900	
<b>Total Injection</b>								2500	

**OGOR-B Detail Information**

Action Code	Disposition Code	Metering Point	Gas Plant	API Gravity	Btu	Disposition Volumes		
						Oil/Cond. (bbl)	Gas (Mcf)	Water (bbl)
A	01	Meter 2130		31.8		1270		
A	01	8563			1050		1350	
A	20						450	
A	14							900
<b>Disposition Totals</b>						1270	1800	900

**Example 5-25****Onshore—Developmental drilling occurs within a unit boundary but outside an established PA**

Key considerations:

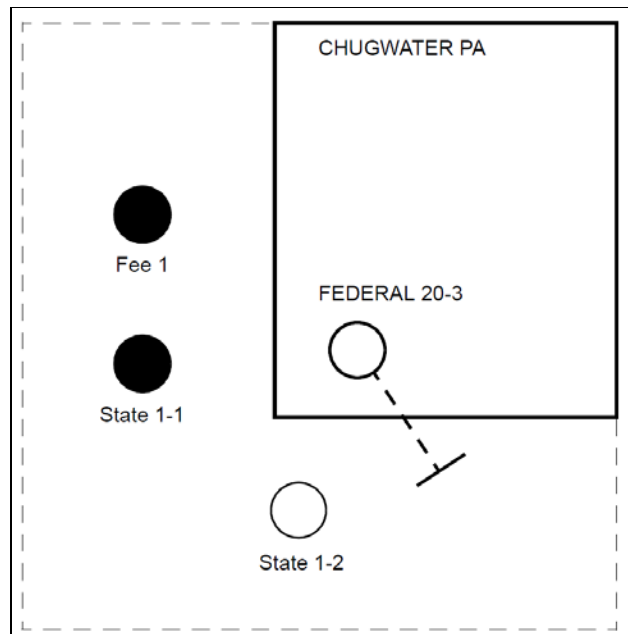
- The unit has one PA established.
- There are two producing wells located on State and fee land outside the PA that have not yet received a paying well determination.
- One well is drilled outside the PA on State land. The other well is directionally drilled from a surface location inside the PA (on Federal land) to a bottom-hole location outside the PA on State land.

The completed OGOR highlights the following information:

- State, Fee, and Federal (or Indian) wells participating in a Federal unit are reported using the unit agreement number with an **X** suffix until unit paying well determinations are made.
- The well located inside the PA is still reported on 891018899X because the bottom-hole objective is outside the PA.
- Wells in active drilling status may be reported on the OGOR, although they are not required to be reported until they are completed or the status changes to drilling shut-in or temporarily abandoned.

**NOTE**

*If BLM determines a well to be a paying well, it will be retroactively reported under the appropriate PA number. A nonpaying Federal or Indian well would be reported to the lease number on future OGORs. Nonpaying State and Fee wells would not be reported on future OGORs.*



## 5 How to Complete the OGOR

### Example 5-25

**Onshore—Developmental drilling occurs within a unit boundary but outside an established PA (cont.)**

#### OGOR Fact Sheet

Identification Information		Authorization Information	
—For electronic reporting, complete on Report Header only —For paper reporting, complete on all pages of the report		—For electronic reporting, complete on Part –A, -B, and/or -C —For paper reporting, complete on first page only	
Report Type	Original	Contact Name	Howard McCarthy
Production Month (MMCCYY)	042012	Telephone Number	3076676876
ONRR Operator Number	C8976	Extension Number	
Operator Name	Cork Energy	Authorizing Signature	Evelyn James
Operator Lease/Agreement Number		Date (MMDDCCYY)	06152012
Operator Lease/Agreement Name	Lyons	Comments:	
ONRR Lease/Agreement Number			
Agency Lease/Agreement Number	891018899X		

#### OGOR-A Detail Information

Action Code	API Well Number	Producing Interval	Operator Well Number	Well Status Code	Days Produced	Production Volumes			Injection Volume (bbl/Mcf)
						Oil/Cond. (bbl)	Gas (Mcf)	Water (bbl)	
A	490078700000	S01	State 1-1	08	30	100		100	
A	490078700100	S01	Fee 1	08	30	100		50	
A	490078701100	X01	Federal 20-3	01					
A	490078701200	X01	State 1-2	01					
<b>Total production</b>						200		150	
<b>Total Injection</b>									

#### OGOR-B Detail Information

Action Code	Disposition Code	Metering Point	Gas Plant	API Gravity	Btu	Disposition Volumes		
						Oil/Cond. (bbl)	Gas (Mcf)	Water (bbl)
A	01	3815		38.1		200		
A	27							150
<b>Disposition Totals</b>						200	1800	150



**Example 5-26****Onshore—Developmental drilling occurs within a secondary recovery unit**

Key considerations:

- BLM assigns a new unit number when a secondary recovery unit is approved.
- The entire unit area is considered the PA.

The completed OGOR highlights the following information:

- Because the unit was approved prior to January 1, 1988, the agreement number is entered as the ONRR 10-digit agreement number with the appropriate PA suffix.
- The drilling well is reported with an **X01** producing interval.

**OGOR Fact Sheet**

Identification Information		Authorization Information	
—For electronic reporting, complete on Report Header only —For paper reporting, complete on all pages of the report		—For electronic reporting, complete on Part –A, -B, and/or -C —For paper reporting, complete on first page only	
Report Type	Original	Contact Name	John Smith
Production Month (MMCCYY)	042012	Telephone Number	3075551991
ONRR Operator Number	10794	Extension Number	
Operator Name	MD Operations	Authorizing Signature	John Smith
Operator Lease/Agreement Number		Date (MMDDCCYY)	06152012
Operator Lease/Agreement Name	Griffith	Comments:	
ONRR Lease/Agreement Number	891012345B		
Agency Lease/Agreement Number			

**OGOR-A Detail Information**

Action Code	API Well Number	Producing Interval	Operator Well Number	Well Status Code	Days Produced	Production Volumes			Injection Volume (bbl/Mcf)
						Oil/Cond. (bbl)	Gas (Mcf)	Water (bbl)	
A	050812263800	X01	0013	DRG	0				
A	050813374900	S01	0012	OSI	0				
<b>Total production</b>									
<b>Total Injection</b>									

**Example 5-27**

**Onshore—A producing oil well is completed on the border of two Federal units**

Key considerations:

- The units were formed on the surface location.
- The well is draining from the formation that covers both Federal units.
- The well allocates 50 percent of the production to each of the Federal units.
- The well was drilled before State spacing requirements were established.

The completed OGOR highlights the following information:

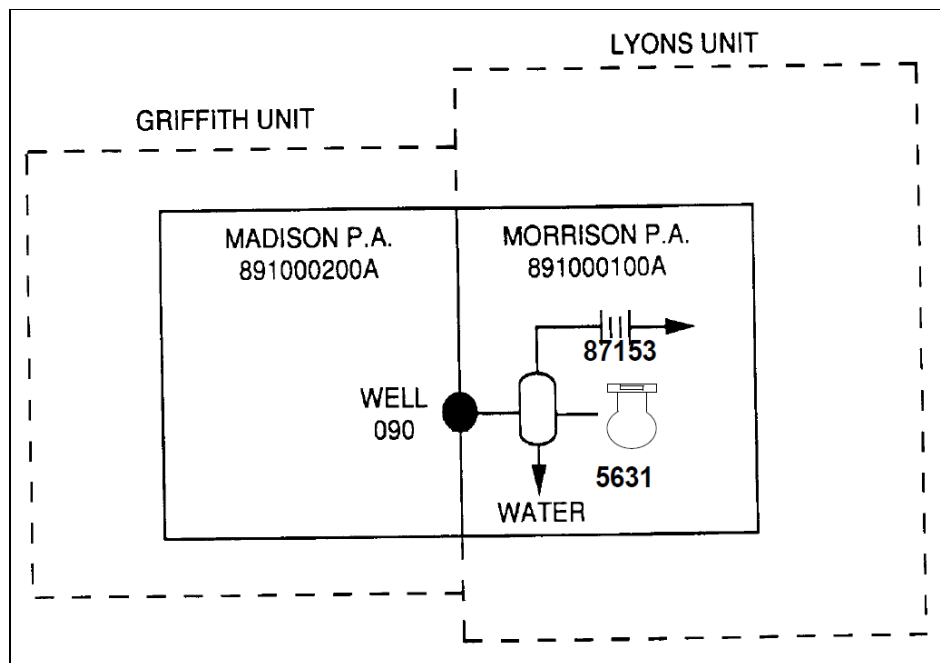
- Two OGORs are submitted (one for each PA).
- The same API well number is reported on each unit for the allocated well using completion codes A1 and A2 to report the allocated production and sales.
- Each OGOR reflects 50 percent of the well's production.

**NOTE**

*The "A" tubing string is used only when adding wells to existing leases, units, or CAs to indicate the wells are reporting allocated production. (Only in rare instances will the "A" tubing string be used; its use **must be approved by BLM.**)*

**NOTE**

*The OGORs, as illustrated, show only the allocated wells. If these were actual OGORs, the remaining wells in the unit areas would also be reported.*



**Example 5-27**

**Onshore—A producing oil well is completed on the border of two Federal units (cont.)**

**OGOR Fact Sheet #1**

Identification Information		Authorization Information	
—For electronic reporting, complete on Report Header only —For paper reporting, complete on all pages of the report		—For electronic reporting, complete on Part –A, -B, and/or -C —For paper reporting, complete on first page only	
Report Type	Original	Contact Name	M. J. Brown
Production Month (MMCCYY)	042012	Telephone Number	3035551000
ONRR Operator Number	A1111	Extension Number	
Operator Name	Jones Oil	Authorizing Signature	Karen O’Hare
Operator Lease/Agreement Number		Date (MMDDCCYY)	06152012
Operator Lease/Agreement Name	Lyons Unit Morrison	Comments:	
ONRR Lease/Agreement Number			
Agency Lease/Agreement Number	891000100A		

**OGOR-A Detail Information**

Action Code	API Well Number	Producing Interval	Operator Well Number	Well Status Code	Days Produced	Production Volumes			Injection Volume (bbl/Mcf)
						Oil/Cond. (bbl)	Gas (Mcf)	Water (bbl)	
A	050812263800	A01	090	POW	30	520	1000	300	
<b>Total production</b>						520	1000	300	
<b>Total Injection</b>									

**OGOR-B Detail Information**

Action Code	Disposition Code	Metering Point	Gas Plant	API Gravity	Btu	Disposition Volumes		
						Oil/Cond. (bbl)	Gas (Mcf)	Water (bbl)
A	01	5631		31.8		520		
A	01	87153			1050		1000	
A	27							300
<b>Disposition Totals</b>						520	1000	300

## 5 How to Complete the OGOR

### Example 5-27

**Onshore—A producing oil well is completed on the border of two Federal units (cont.)**

#### OGOR Fact Sheet #2

Identification Information		Authorization Information	
—For electronic reporting, complete on Report Header only —For paper reporting, complete on all pages of the report		—For electronic reporting, complete on Part –A, -B, and/or -C —For paper reporting, complete on first page only	
Report Type	Original	Contact Name	M. J. Brown
Production Month (MMCCYY)	042012	Telephone Number	3035551000
ONRR Operator Number	A1111	Extension Number	
Operator Name	Jones Oil	Authorizing Signature	Karen O’Hare
Operator Lease/Agreement Number		Date (MMDDCCYY)	06152012
Operator Lease/Agreement Name	Griffith Unit Madison	Comments:	
ONRR Lease/Agreement Number			
Agency Lease/Agreement Number	891000200A		

#### OGOR-A Detail Information

Action Code	API Well Number	Producing Interval	Operator Well Number	Well Status Code	Days Produced	Production Volumes			Injection Volume (bbl/Mcf)
						Oil/Cond. (bbl)	Gas (Mcf)	Water (bbl)	
A	050812263800	A02	090	POW	30	520	1000	300	
<b>Total production</b>						520	1000	300	
<b>Total Injection</b>									

#### OGOR-B Detail Information

Action Code	Disposition Code	Metering Point	Gas Plant	API Gravity	Btu	Disposition Volumes		
						Oil/Cond. (bbl)	Gas (Mcf)	Water (bbl)
A	01	5631		31.8		520		
A	01	87153			1050		1000	
A	27							300
<b>Disposition Totals</b>						520	1000	300

**Example 5-28****Onshore—Federal lands participate in a Compensatory Royalty Agreement**

Key considerations:

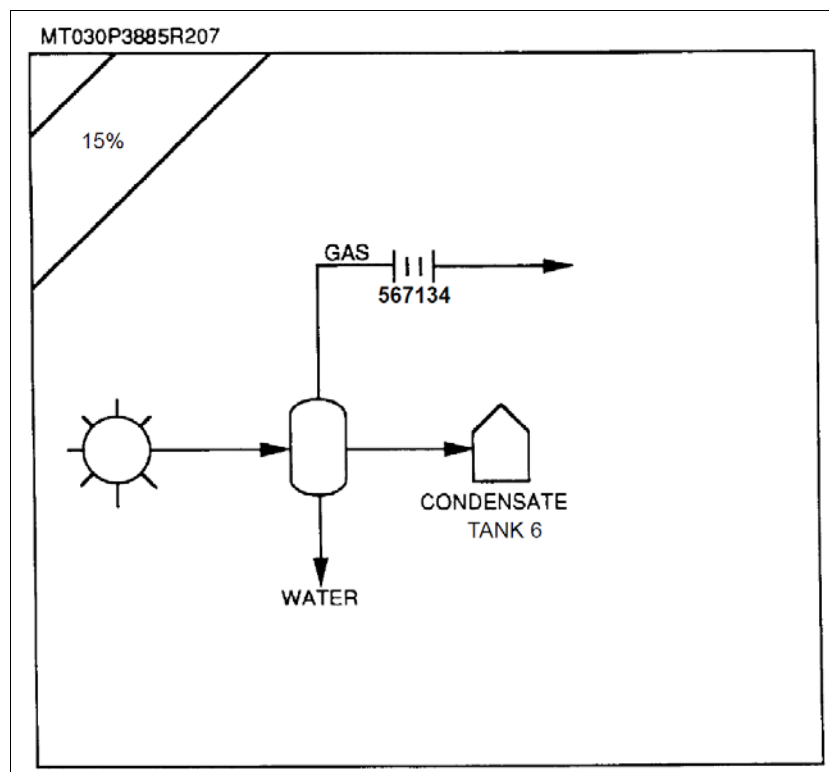
- The agreement contains one producing gas well.
- Federal participation is 15 percent.
- Gas is produced and sold on a lease. Condensate is produced into a storage tank but is not sold.

**NOTE**

*For onshore facilities reported on OGOR-C, volume and quality measurement may occur by tank gauging instead of metering.*

The completed OGOR highlights the following information:

- Although the agreement is only 15 percent Federal, 100 percent of the production is reported on OGOR-A **and** on OGOR-B.
- Only sales subject to compensatory royalty are reported as Disposition Code **01** (Sales — Royalty Due — MEASURED) on OGOR-B. In this example, the amount reported as sold is equal to 15 percent of the total sales.
- Sales not subject to compensatory royalty are reported as Disposition Code **09** (Sales—Royalty Not Due—MEASURED) on OGOR-B.



5 How to Complete the OGOR

**Example 5-28**

**Onshore—Federal lands participate in a Compensatory Royalty Agreement (cont.)**

**OGOR Fact Sheet**

Identification Information		Authorization Information	
—For electronic reporting, complete on Report Header only —For paper reporting, complete on all pages of the report		—For electronic reporting, complete on Part -A, -B, and/or -C —For paper reporting, complete on first page only	
Report Type	Original	Contact Name	Beth Adams
Production Month (MMCCYY)	042012	Telephone Number	3034441000
ONRR Operator Number	24567	Extension Number	
Operator Name	Barker Petroleum	Authorizing Signature	Susan Brooks
Operator Lease/Agreement Number		Date (MMDDCCYY)	06152012
Operator Lease/Agreement Name	Fireoak	Comments:	
ONRR Lease/Agreement Number			
Agency Lease/Agreement Number	MT030P3885R207		

**OGOR-A Detail Information**

Action Code	API Well Number	Producing Interval	Operator Well Number	Well Status Code	Days Produced	Production Volumes			Injection Volume (bbl/Mcf)
						Oil/Cond. (bbl)	Gas (Mcf)	Water (bbl)	
A	330530111200	S01	Thompson 1	PGW	29	51	7260	275	
<b>Total production</b>						51	7260	275	
<b>Total Injection</b>									

**OGOR-B Detail Information**

Action Code	Disposition Code	Metering Point	Gas Plant	API Gravity	Btu	Disposition Volumes		
						Oil/Cond. (bbl)	Gas (Mcf)	Water (bbl)
A	10					51		
A	01	567134			1157		1089	
A	09	567134			1157		6171	
A	27							275
<b>Disposition Totals</b>						51	7260	275

**OGOR-C Detail Information**

Action Code	Product Code	Inv. Storage Point No.	Metering Point No.	API Gravity	Beginning Inventory	Production	Sales	Adjustments		Ending Inventory
								Code	Vol	
A	01	Tank 6			75	51				126
<b>Totals</b>					75	51				126

**Example 5-29** Onshore—Onshore State/Fee wells participate in API Federal Unit (Federal allocation generally less than 10 percent)

Key considerations (schematic not shown):

- The Federal lease within the unit contains one producing oil well.
- The State and fee leases within the unit contain 10 producing oil wells and 7 water injection wells.
- The oil is produced into a facility where it is sold through a LACT unit.
- The gas is transferred to a gas plant for processing before royalty determination.
- Each Federal well in an API unit are reported on the OGOR-A.
- Production volumes from State and fee wells in an API unit are totaled and reported under a dummy well number. These API well numbers are assigned by BLM and given an **S09** completion code to indicate a dummy well. Each different well status must be reported on a separate OGOR-A line.
- Injection volumes are totaled and reported in the **Injection** column under a dummy well number for State and fee wells with a well status code of **04**.

**NOTE**

*Reporting on an API Unit may be by individual well or state and/or fee wells reported under a consolidated S09 producing interval. In either case, BLM must provide prior approval. Under some circumstances, BLM may require the operator to report on an individual well basis.*

The completed OGORs highlight the following information.

**OGOR-A**

- BLM has approved a dummy well with the S09 producing interval to report all state and fee wells.
- The State and Fee leases in unit contain 10 producing oil wells and 7 water injection wells.
- Producing Oil Well (POW) for the State and Fee wells (S09) are totaled with a well status code **08**.
- Water Injection volumes for the S09 (State and Fee) are totaled and reported in the **Injection** column with a well status code **04**.
- All Federal wells in unit are reported separately.

**OGOR-B**

- The gas is transferred to a gas plant under Disposition Code **11** (Transfer to Facility). Btu is required.
- Total water production from State and Fee wells is reported with Disposition Code **14** (Injected on L/A).

## 5 How to Complete the OGOR

**Example 5-29** Onshore—Onshore State/Fee wells participate in API Federal Unit (Federal allocation generally less than 10 percent (cont.))

### OGOR Fact Sheet

Identification Information		Authorization Information	
—For electronic reporting, complete on Report Header only —For paper reporting, complete on all pages of the report		—For electronic reporting, complete on Part –A, -B, and/or -C —For paper reporting, complete on first page only	
Report Type	Original	Contact Name	John Brown
Production Month (MMCCYY)	042012	Telephone Number	4055551111
ONRR Operator Number	N6032	Extension Number	
Operator Name	Starr Oil	Authorizing Signature	Jane Doe
Operator Lease/Agreement Number	1-11-40-66-12340	Date (MMDDCCYY)	06152012
Operator Lease/Agreement Name	Lamar Unit	Comments:	
ONRR Lease/Agreement Number	8960001110		
Agency Lease/Agreement Number			

### OGOR-A Detail Information

Action Code	API Well Number	Producing Interval	Operator Well Number	Well Status Code	Days Produced	Production Volumes			Injection Volume (bbl/Mcf)
						Oil/Cond. (bbl)	Gas (Mcf)	Water (bbl)	
A	350190850000	S01	0001	08	30	500	50	100	
A	350190860000	S09	State/Fee	08	30	100000	10000	1000	
A	350190860000	S09	State/Fee	04	30				10000
<b>Total production</b>						100500	10050	1100	
<b>Total Injection</b>								10000	

### OGOR-B Detail Information

Action Code	Disposition Code	Metering Point	Gas Plant	API Gravity	Btu	Disposition Volumes		
						Oil/Cond. (bbl)	Gas (Mcf)	Water (bbl)
A	10					100500		
A	11	30050110000	02301100011		1300		10050	
A	14							1100
<b>Disposition Totals</b>						100500	10050	1100

### OGOR-C Detail Information

Action Code	Product Code	Inv. Storage Point No.	Metering Point No.	API Gravity	Beginning Inventory	Production	Sales	Adjustments		Ending Inventory
								Code	Vol	
A	01	01350110000	20350110001	34.7	300	100500	100500			300
<b>Totals</b>					300	100500	100500			300



**Example 5-30****Onshore—A lease contains a well that produces water and then injects it back into the annulus of the well**

Key considerations (schematic not shown):

- The well is a producing oil well. There are no injection wells on the lease.
- The well produces oil, gas, and water.
- The water is disposed into the annulus of the well.
- There are no wells with injection well status.

The completed OGORs highlight the following information.

The production volumes on OGOR-A equal the volume reported on the OGOR-B.

**OGOR Fact Sheet**

Identification Information		Authorization Information	
—For electronic reporting, complete on Report Header only —For paper reporting, complete on all pages of the report		—For electronic reporting, complete on Part –A, -B, and/or -C —For paper reporting, complete on first page only	
Report Type	Original	Contact Name	L.M. Jones
Production Month (MMCCYY)	042012	Telephone Number	5055551234
ONRR Operator Number	B1234	Extension Number	
Operator Name	L&M Co.	Authorizing Signature	George Sand
Operator Lease/Agreement Number		Date (MMDDCCYY)	06152012
Operator Lease/Agreement Name		Comments:	
ONRR Lease/Agreement Number			
Agency Lease/Agreement Number	NMNM1234		

**OGOR-A Detail Information**

Action Code	API Well Number	Producing Interval	Operator Well Number	Well Status Code	Days Produced	Production Volumes			Injection Volume (bbl/Mcf)
						Oil/Cond. (bbl)	Gas (Mcf)	Water (bbl)	
A	300450456700	S01	Elliot 1	POW	30	1000	200	1000	
<b>Total production</b>						1000	200	1000	
<b>Total Injection</b>									

**OGOR-B Detail Information**

Action Code	Disposition Code	Metering Point	Gas Plant	API Gravity	Btu	Disposition Volumes		
						Oil/Cond. (bbl)	Gas (Mcf)	Water (bbl)
A	01	65891		40.5		1000		
A	01	87345			1005		200	
A	27							1000
<b>Disposition Totals</b>						1000	200	1000

**Example 5-31 Onshore—A lease uses a cyclic steam injection program to produce oil (Huff and Puff wells)**

Key considerations:

- The lease contains 2 wells.
- The wells inject steam and produce oil during the same production month.
- Produced water is sent to a steam generation facility.

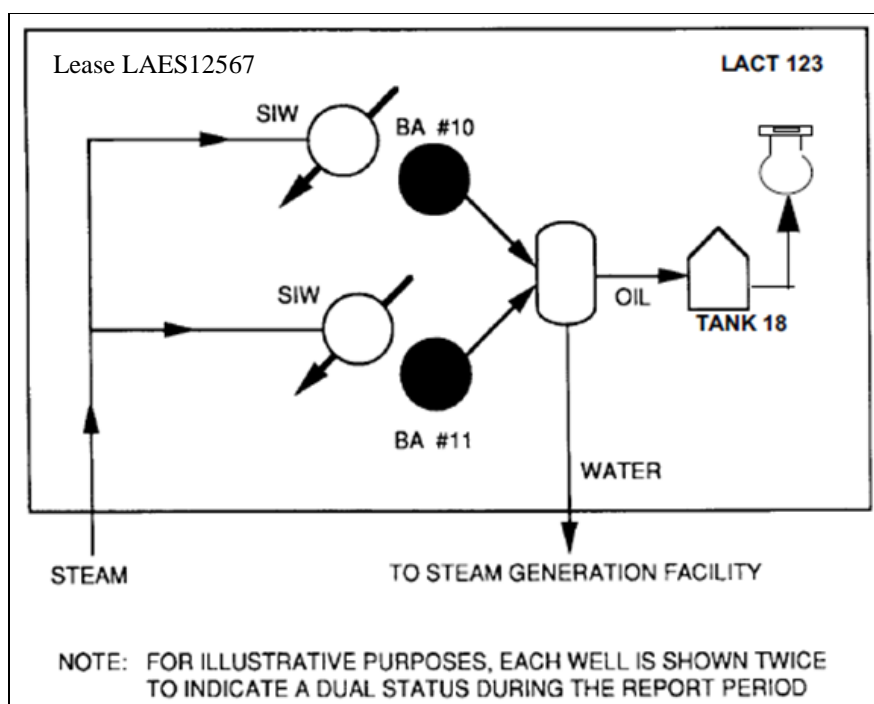
The completed OGOR highlights the following information.

**OGOR-A**

- Because the Well Status for both wells changed during the production month, one line is completed for each API Well Number/Well Status combination.
- The number of days used for production and injection is reported in the Days Produced column on OGOR-A. The total combined days for the 2 wells with the same API Well Number (plus producing interval) should not exceed the maximum days in the production month.

**OGOR-B**

- Steam injection volumes, in barrels of water, are reported as injected using Disposition Code **14** (Injected on L/A).
- Steam returned to the lease and produced water sent to the steam generation facility are **not** reported.



**Example 5-31**

**Onshore—A lease uses a cyclic steam injection program to produce oil (Huff and Puff wells) (cont.)**

**OGOR Fact Sheet**

Identification Information		Authorization Information	
—For electronic reporting, complete on Report Header only —For paper reporting, complete on all pages of the report		—For electronic reporting, complete on Part –A, -B, and/or -C —For paper reporting, complete on first page only	
Report Type	Original	Contact Name	Ronald Richardson
Production Month (MMCCYY)	042012	Telephone Number	8055551122
ONRR Operator Number	B4782	Extension Number	
Operator Name	Broken Arrow	Authorizing Signature	Susan Brook
Operator Lease/Agreement Number		Date (MMDDCCYY)	06152012
Operator Lease/Agreement Name	Broken Arrow	Comments:	
ONRR Lease/Agreement Number			
Agency Lease/Agreement Number	LAES12567		

**OGOR-A Detail Information**

Action Code	API Well Number	Producing Interval	Operator Well Number	Well Status Code	Days Produced	Production Volumes			Injection Volume (bbl/Mcf)
						Oil/Cond. (bbl)	Gas (Mcf)	Water (bbl)	
A	040290009800	S01	BA#10	POW	9	241		130	
A	040290009800	S01	BA#10	SIW	17				745
A	040290009900	S01	BA#11	POW	9	142		398	
A	040290009900	S01	BA#11	SIW	17				1165
<b>Total production</b>						383		528	
<b>Total Injection</b>								1910	

**OGOR-B Detail Information**

Action Code	Disposition Code	Metering Point	Gas Plant	API Gravity	Btu	Disposition Volumes		
						Oil/Cond. (bbl)	Gas (Mcf)	Water (bbl)
A	10					383		
A	14							528
<b>Disposition Totals</b>						383		528

**OGOR-C Detail Information**

Action Code	Product Code	Inv. Storage Point No.	Metering Point No.	API Gravity	Beginning Inventory	Production	Sales	Adjustments		Ending Inventory
								Code	Vol	
A	01	Tank 18	LACT123	17.8	40	383	290			133
<b>Totals</b>					40	383	290			133

**Example 5-32** Onshore—Oil from a storage facility is used on lease as load oil

Key considerations:

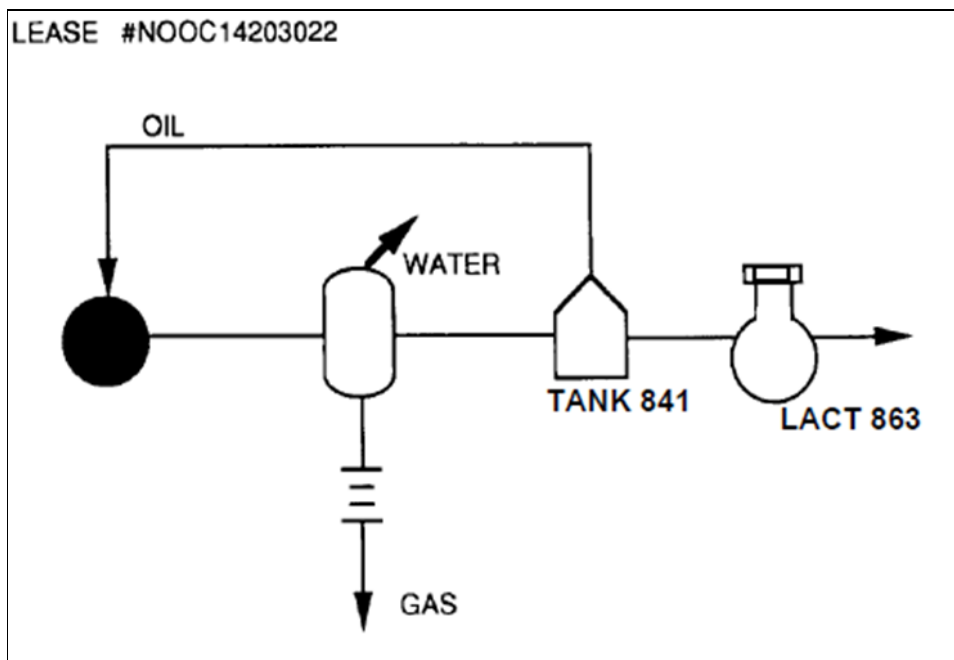
- The operator removes 25 bbl of oil from inventory and injects it into the well as load oil.
- The unit produces 150 bbl of oil, which includes the 25 bbl of load oil.
- Oil is sold through a downstream LACT unit.

The completed OGOR highlights the following information:

- The volume of load oil that is injected and recovered as production is not shown on the OGOR. (Onshore only)
- Load oil volumes are reported in the Comments field for informational purposes.

**NOTE**

*Report only formation production. When on-lease injection volumes (load oil, frac oil, etc.) are recovered, the volume sold is entered as Sold in the OGOR-B oil column and deducted from the inventory on the OGOR-C as adjustment code 03 (Load Oil). When oil injection volumes (load oil, frac oil, etc.) are obtained from off-lease sources, only the net volumes of formation production are shown on the OGOR. Royalty is paid when the product leaves the original lease.*



**Example 5-32** Onshore—Oil from a storage facility is used on lease as load oil (cont.)

**OGOR Fact Sheet**

Identification Information		Authorization Information	
—For electronic reporting, complete on Report Header only —For paper reporting, complete on all pages of the report		—For electronic reporting, complete on Part –A, -B, and/or -C —For paper reporting, complete on first page only	
Report Type	Original	Contact Name	Roman Sideline
Production Month (MMCCYY)	042012	Telephone Number	5052221111
ONRR Operator Number	48776	Extension Number	
Operator Name	Moon Production	Authorizing Signature	Angela Jennings
Operator Lease/Agreement Number		Date (MMDDCCYY)	06152012
Operator Lease/Agreement Name	Cottonwood	Comments: 25 bbls of load oil	
ONRR Lease/Agreement Number			
Agency Lease/Agreement Number	N00C14203022		

**OGOR-A Detail Information**

Action Code	API Well Number	Producing Interval	Operator Well Number	Well Status Code	Days Produced	Production Volumes			Injection Volume (bbl/Mcf)
						Oil/Cond. (bbl)	Gas (Mcf)	Water (bbl)	
A	30045077700	S01	No. 1	POW	21	125	100	25	
<b>Total production</b>						125	100	25	
<b>Total Injection</b>									

**OGOR-B Detail Information**

Action Code	Disposition Code	Metering Point	Gas Plant	API Gravity	Btu	Disposition Volumes		
						Oil/Cond. (bbl)	Gas (Mcf)	Water (bbl)
A	10					125		
A	20						50	
A	21						50	
A	27							25
<b>Disposition Totals</b>						125	100	25

**OGOR-C Detail Information**

Action Code	Product Code	Inv. Storage Point No.	Metering Point No.	API Gravity	Beginning Inventory	Production	Sales	Adjustments		Ending Inventory
								Code	Vol	
A	01	Tank 841	LACT863	38.1	100	125	50			175
<b>Totals</b>					100	125	50			175

**Example 5-33** Onshore—Gas is sent to a stabilizer (desulfurization) plant

Key considerations (completed OGOR and schematic not shown):

- Gas with high hydrogen sulfide (H<sub>2</sub>S) content is produced and sent to a stabilizer plant.
- The stabilizer plant removes the H<sub>2</sub>S and produces sulfur.

The completed OGOR highlights the following information:

- The volume of gas sent to the stabilizer plant is reported under Gas Transferred. For financial accounting system purposes, a stabilizer plant is treated like a normal gas plant.
- The volume of sulfur produced and sold for this lease is not reported on the OGOR.

**Example 5-34** Onshore—Oil is reclaimed at a water processing facility and sold

Key considerations (schematic not shown):

- The unit contains three producing oil wells.
- Oil is stored in a tank battery and sold through a LACT unit.
- Water is transferred to a water-processing facility.

**NOTE**

*For onshore facilities reported on OGOR-C, volume and quality measurement may occur by tank gauging instead of metering.*

The completed OGOR highlights the following information.

**Identification/Authorization Information**

- The comments field addresses the reclaimed oil.

**OGOR-B**

- Oil is reclaimed at the water-processing facility and sold, using Disposition Code **04** (Sale—Royalty Due—NOT MEASURED) as a positive value, and API Gravity is required.
- A portion of the sales is allocated back to the unit, using Disposition Code **13** (Transferred from Facility) as a negative value to show an addition on the lease.
- The portion of reclaimed oil sales attributable to the unit is added as oil sales through the LACT.
- Show water as Disposition Code **27** (Water Disposal—Other than Injected/Transferred) on OGOR B.

**Example 5-34** Onshore—Oil is reclaimed at a water processing facility and sold (cont.)

**OGOR Fact Sheet**

Identification Information		Authorization Information	
—For electronic reporting, complete on Report Header only —For paper reporting, complete on all pages of the report		—For electronic reporting, complete on Part –A, -B, and/or -C —For paper reporting, complete on first page only	
Report Type	Original	Contact Name	Louis Allen
Production Month (MMCCYY)	042012	Telephone Number	3035551000
ONRR Operator Number	B1148	Extension Number	
Operator Name	Glenco	Authorizing Signature	Michael Wise
Operator Lease/Agreement Number		Date (MMDDCCYY)	06152012
Operator Lease/Agreement Name	Paint Rock, Fort Union	Comments: Reclaimed 58 bbls oil from water processing facility.	
ONRR Lease/Agreement Number			
Agency Lease/Agreement Number	891016789A		

**OGOR-A Detail Information**

Action Code	API Well Number	Producing Interval	Operator Well Number	Well Status Code	Days Produced	Production Volumes			Injection Volume (bbl/Mcf)
						Oil/Cond. (bbl)	Gas (Mcf)	Water (bbl)	
A	020010012300	S01	Paint Rock 1	POW	30	565		1398	
A	020010674100	S01	Paint Rock 2	POW	30	392		1740	
A	020010012700	S01	Paint Rock 3	POW	30	293		2198	
<b>Total production</b>						1250		5336	
<b>Total Injection</b>									

**OGOR-B Detail Information**

Action Code	Disposition Code	Metering Point	Gas Plant	API Gravity	Btu	Disposition Volumes		
						Oil/Cond. (bbl)	Gas (Mcf)	Water (bbl)
A	10					1250		
A	04			30.2		58	50	
A	13					-58	50	
A	27							5336
<b>Disposition Totals</b>						1250	100	5336

**OGOR-C Detail Information**

Action Code	Product Code	Inv. Storage Point No.	Metering Point No.	API Gravity	Beginning Inventory	Production	Sales	Adjustments		Ending Inventory
								Code	Vol	
A	01	21186	8188751	36.3	230	1250	1175			305
<b>Totals</b>					230	1250	1175			305

## New Onshore Example

### **Example 5-35** Onshore—Coalbed methane production – transferred to a gas plant

Key considerations (schematic and reports not shown):

- Use the Reporter Letter dated October 4, 2005, as a guide for reporting Coalbed Methane.
- Production from each lease, unit, or communitized area is measured and reported on separate OGORs.
- The measurement at each lease, unit, or communitized area must meet BLM's measurement standards, the volume and Btu content at the lease meter must be reported on the OGOR unless BLM approves a different method.

#### **Identification/Authorization Information**

Report the percentage of carbon dioxide in the gas stream, as determined at the BLM-approved royalty measurement point in the Comments Section.

#### **OGOR-A**

Total production from all wells is reported.

#### **OGOR-B**

- Report the total volume and the Btu content of gas produced and measured at the BLM-approved royalty measurement point on OGOR-B as a gas transfer (Disposition Code **11** [Transferred to Facility]) **unless BLM approves a different method of measurement.**
- Report the eleven-digit gas plant identifier in the Gas Plant Number field on OGOR-B for the plant downstream of the BLM approved measurement point that receives and treats (removes carbon dioxide, compresses, and dehydrates) the gas.
- If gas is treated at more than one plant, report the numbers of each plant on separate lines on the OGOR-B, as well as the volume in Mcf going to each plant. You may report Disposition Code **11** (Transferred to Facility) on more than one OGOR-B line as long as the gas plant numbers are different. The total Mcf volume reported on OGOR-B must equal the total Mcf production that is reported on OGOR-A.



**Example 5-35** Onshore—Coalbed methane production – transferred to a gas plant (cont.)

**OGOR-B** (cont.)

- Report gas used on or for the benefit of the lease (Disposition Code **20** [Used on L/A – Native Production Only]), which is not subject to royalty and is consistent with BLM approvals. **Do not report** any gas used off the lease, unit or communitized area for compression, dehydration, or carbon dioxide removal (or other sweetening) as “used on or for the benefit of” the lease, unit, or communitized area unless BLM specifically approves doing so.
- Coalbed methane field operations often involve performing functions at different locations or facilities and in successive stages. When these facilities are located off the lease, unit, or communitized area, you may not use produced gas to power the facilities royalty-free unless you request and receive specific permission to do so from BLM.

5.3.5

**OGOR Offshore Examples**

**Example 5-36** Offshore—Sales occur from a separation facility on an oil/gas pipeline

Key considerations:

- The separation facility is located downstream of all gas FMPs and prior to the inlet of the gas plant. Both injected condensate and pipeline (retrograde/drip) condensate are recovered at the facility.
- Several of the lessees (for example, those of lease 0540088880) retain all the rights to NGLs, including drip. That is, gas is transferred for processing prior to royalties being determined.
- Several of the lessees (for example, those of lease 0550000990) relinquish all rights to the NGLs at the lease site (that is, gas is directly sold at the FMP).
- Several of the lessees (for example, those of lease 0540022220) transport the gas to the separation facility where the gas is sold **after** removal of both injected and pipeline (retrograde/drip) condensate, to which the lessees retain rights and royalty is due.

## 5 How to Complete the OGOR

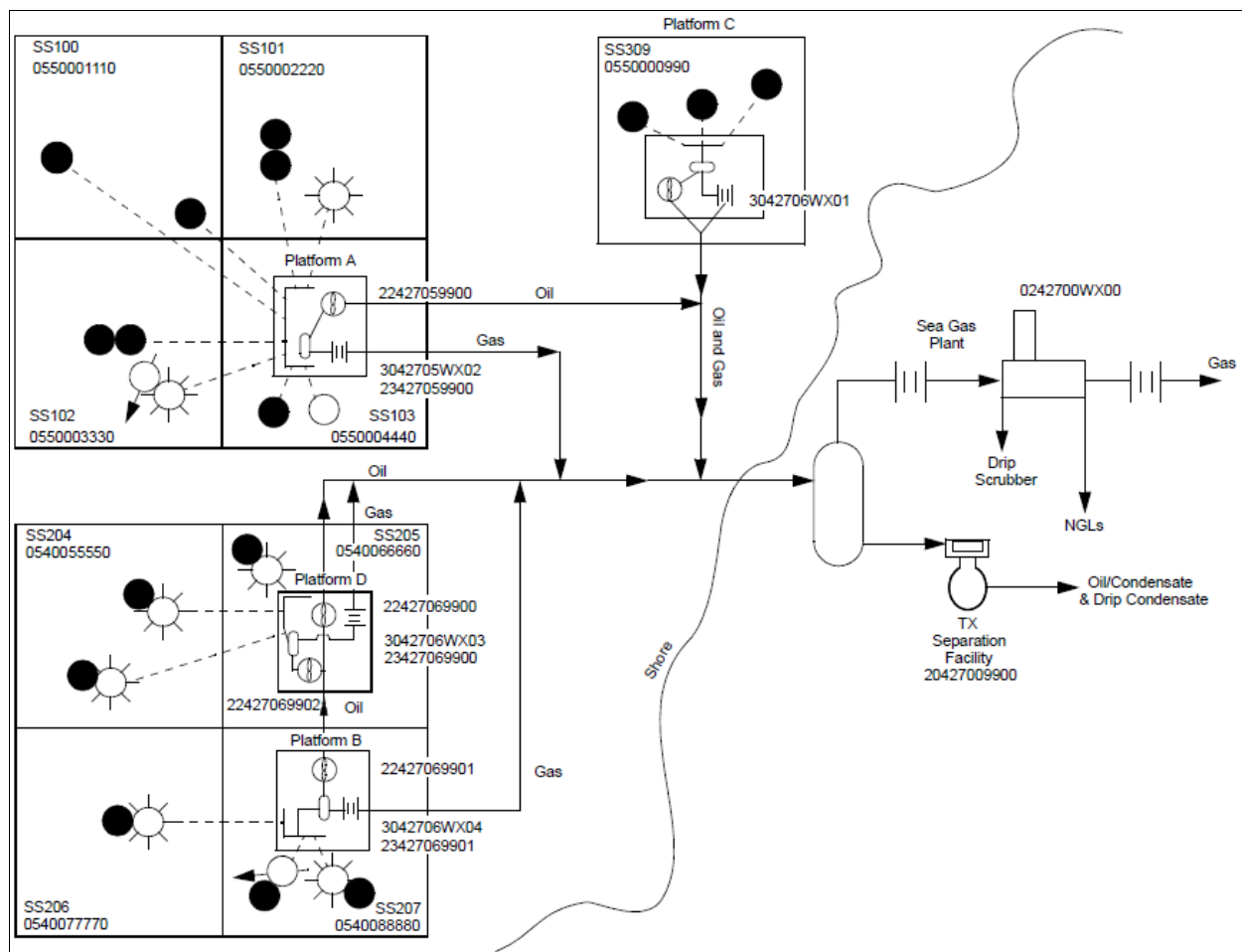
### **Example 5-36** Offshore—Sales occur from a separation facility on an oil/gas pipeline (cont.)

Key considerations (cont.)

- A mixture of oil/condensate and drip is sold directly from the separation facility.
- The separation facility and downstream gas plant are not operated by the same operator. Therefore, the pipeline (retrograde/drip) condensate volume from the separation facility must be accounted for and reported on the OGORs.

#### **NOTE**

See Reporter Letter dated June 2, 2000, for further details.



**Example 5-36** Offshore—Sales occur from a separation facility on an oil/gas pipeline (cont.)

**OGOR-B for lease 0540088880**

- The disposition volume of the pipeline (retrograde/drip) condensate attributable to the lease is reported by the lease operator in the oil column using Disposition Code **16** (Pipeline Drip/Retrograde Scrubber Production) because the gas was transferred and rights to the drip are retained and royalty is due.
- The metering point (FMP) is required for Disposition Code **16** (Pipeline Drip/Retrograde Scrubber Production) (normally the same FMP number assigned to the oil sales FMP for the facility).
- API gravity is required.
- Disposition Code **13** (Transferred from Facility) is used to account for the additional oil volumes and is equal to the volume reported as Disposition Code **16** (Pipeline Drip/Retrograde Scrubber Production). No metering point or API Gravity/Btu Content is reported. The volume is reported as a negative number and will offset the pipeline (retrograde/drip) condensate volume reported as Disposition Code **16** so the OGOR-A and -B totals will match.

**OGOR-B for lease 0550000990**

- The actual gas volume measured by the approved offshore FMP is reported using Disposition Code **11** (Transferred to Facility) even though sales occur at the offshore sale/transfer meter.
- The disposition volume of the pipeline/retrograde/drip attributable to the lease is reported by the lease operator in the oil column using Disposition Code **09** (Sales—Royalty Not Due—MEASURED) because the gas stream was directly sold at the offshore sales/transfer meter (that is, the Btu of the gas contains the drip molecules therefore, no royalty is due on the million Btu [MMBtu] equivalent).
- The metering point is required for Disposition Code **09** (Sales—Royalty Not Due—MEASURED) (normally the same FMP number assigned to the oil sales FMP for the facility).
- API gravity is required.
- Disposition Code **13** (Transferred from Facility) is used to offset the additional oil volumes and is equal to the volume reported as Disposition Code **09** (Sales—Royalty Not Due—MEASURED).
- Metering Point (FMP) is required for offshore operators, but no API Gravity/Btu is reported. The volume is reported as a negative number.

**Example 5-36** Offshore—Sales occur from a separation facility on an oil/gas pipeline (cont.)

**OGOR-B for lease 0540022220**

- The actual gas volume measured by the approved offshore FMP is reported using Disposition Code **11** (Transferred to Facility). OGOR B reports all production and its disposition.
- The disposition volume of the pipeline/retrograde/drip attributable to the lease is reported by the lease operator in the oil column using Disposition Code **16** (Pipeline Drip/Retrograde Scrubber Production) because the rights are retained for the pipeline/retrograde/drip and the pipeline/retrograde/drip is not allocated to OGOR A.
- The Metering Point is required for Disposition Code **16** (Pipeline Drip/Retrograde Scrubber Production) (normally the same FMP number assigned to the oil sales FMP for the facility).
- API gravity is required.
- Disposition Code **13** (Transferred from Facility) is used to account for the pipeline/retrograde/drip volume and is equal to the volume reported as Disposition Code **16** (Pipeline Drip/Retrograde Scrubber Production). No metering point or API Gravity/Btu is allowed. The volume is reported as a negative number.

**NOTE**

*If you do not have a contract with a gas plant for processing, use FMP 0217071DRIP.*

**NOTE**

*FMP operators submit PASRs for the sales FMP when state production flows through the sales FMP.*

- The total volume reported for lease 0550000990 represents a combined total for both the oil/condensate and pipeline/retrograde/drip allocated to this lease from the facility.
- For all the upstream commingling points, the total reflects the volume allocated by the separation facility.
- Distribution Code **09** has to have an API Gravity now.

**Example 5-36** Offshore—Sales occur from a separation facility on an oil/gas pipeline (cont.)

**OGOR Fact Sheet #1**

Identification Information		Authorization Information	
—For electronic reporting, complete on Report Header only —For paper reporting, complete on all pages of the report		—For electronic reporting, complete on Part –A, -B, and/or -C —For paper reporting, complete on first page only	
Report Type	Original	Contact Name	Jane Doe
Production Month (MMCCYY)	042012	Telephone Number	5045551111
ONRR Operator Number	F4245	Extension Number	
Operator Name	All GAS	Authorizing Signature	John Smith
Operator Lease/Agreement Number	OCS-G 8888	Date (MMDDCCYY)	06152012
Operator Lease/Agreement Name	SS207 Platform B	Comments:	
ONRR Lease/Agreement Number	0540088880		
Agency Lease/Agreement Number			

(OGOR-A not shown)

**OGOR-B Detail Information**

Action Code	Disposition Code	Metering Point	Gas Plant	API Gravity	Btu	Disposition Volumes		
						Oil/Cond. (bbl)	Gas (Mcf)	Water (bbl)
A	01	20427009900		38.9		9621		
A	16	20427009900		38.9		3142		
A	13					-3142		
A	11	3042706WX04	0242700WX00		1200		321465	
A	20						5549	
A	27							49748
<b>Disposition Totals</b>						9621	327044	49748

5 How to Complete the OGOR

**Example 5-36** Offshore—Sales occur from a separation facility on an oil/gas pipeline (cont.)

**OGOR Fact Sheet #2**

Identification Information		Authorization Information	
—For electronic reporting, complete on Report Header only —For paper reporting, complete on all pages of the report		—For electronic reporting, complete on Part –A, -B, and/or -C —For paper reporting, complete on first page only	
Report Type	Original	Contact Name	Jane Doe
Production Month (MMCCYY)	042012	Telephone Number	5045551111
ONRR Operator Number	L2745	Extension Number	
Operator Name	ABC Oil Company	Authorizing Signature	John Smith
Operator Lease/Agreement Number	OCS 0099	Date (MMDDCCYY)	06152012
Operator Lease/Agreement Name	SS309/Platform C	Comments:	
ONRR Lease/Agreement Number	0550000990		
Agency Lease/Agreement Number			

(OGOR-A not shown)

**OGOR-B Detail Information**

Action Code	Disposition Code	Metering Point	Gas Plant	API Gravity	Btu	Disposition Volumes		
						Oil/Cond. (bbl)	Gas (Mcf)	Water (bbl)
A	01	20427009900		38.9		4315		
A	09	20427009900				1023		
A	13					-1023		
A	11	3042706WX01	0242700WX00		1300		425290	
A	20						25920	
A	27							12427
<b>Disposition Totals</b>						4315	451210	12427

**Example 5-36** Offshore—Sales occur from a separation facility on an oil/gas pipeline (cont.)

**OGOR Fact Sheet #3**

Identification Information		Authorization Information	
—For electronic reporting, complete on Report Header only —For paper reporting, complete on all pages of the report		—For electronic reporting, complete on Part –A, -B, and/or -C —For paper reporting, complete on first page only	
Report Type	Original	Contact Name	Jane Doe
Production Month (MMCCYY)	042012	Telephone Number	7135551111
ONRR Operator Number	F0705	Extension Number	
Operator Name	OG&P/P&C	Authorizing Signature	John Smith
Operator Lease/Agreement Number	OCS-G 222	Date (MMDDCCYY)	06152012
Operator Lease/Agreement Name	SS101	Comments:	
ONRR Lease/Agreement Number	0540002220		
Agency Lease/Agreement Number			

(OGOR-A not shown)

**OGOR-B Detail Information**

Action Code	Disposition Code	Metering Point	Gas Plant	API Gravity	Btu	Disposition Volumes		
						Oil/Cond. (bbl)	Gas (Mcf)	Water (bbl)
A	01	20427009900		38.9		2099		
A	16	20427009900		38.9		242		
A	13					-242		
A	11	3042705WX02	0242700WX00		1300		1025725	
A	20						6802	
A	27							8242
<b>Disposition Totals</b>						2099	1032527	8242

**Example 5-37** Offshore—Lease receives an onshore flash gas allocation

Key considerations:

- Flash Gas is gas that is released from liquid hydrocarbons due to a decrease in pressure.
- Flash Gas typically refers to gas which is recovered at an onshore separation facility.

**OGOR-A**

- Flash Gas attributable to injected condensate must be allocated to each respective well that contributes to the flash gas volume on OGOR-A.
- Report gas production plus the flash gas allocation for the wells on OGOR-A.

**OGOR-B**

- The produced/adjusted gas volume is reported using Disposition Code **01** (Sales—Royalty Due— MEASURED) or as Disposition Code **09** (Sales—Royalty Not Due—MEASURED). (See **Appendix I**).
- Royalty is due on either a portion or all of the flash gas. A separate Disposition Code **01** (Sales—Royalty Due— MEASURED) line is used to report the flash gas sale that is subject to royalty. If BSEE determines that a portion of the flash gas is **not** royalty bearing, this portion of the flash gas is reported as Disposition Code **09** (Sales—Royalty Not Due—MEASURED). (See **Appendix I**.)
- Report the flash gas as a positive volume with a Btu and FMP.

**OGOR-C**

The volume shown as Disposition Code **10** (Produced into Inventory Prior to Sales) on OGOR-B must equal the total produced volume on OGOR-C.



**Example 5-37**

**Offshore—Lease receives an onshore flash gas allocation (cont.)**

**OGOR Fact Sheet**

Identification Information		Authorization Information	
—For electronic reporting, complete on Report Header only —For paper reporting, complete on all pages of the report		—For electronic reporting, complete on Part –A, -B, and/or -C —For paper reporting, complete on first page only	
Report Type	Original	Contact Name	Bob Smith
Production Month (MMCCYY)	042012	Telephone Number	5042365600
ONRR Operator Number	F2011	Extension Number	
XYZ Company	Glenco	Authorizing Signature	Bob Smith
Operator Lease/Agreement Number	OCS-G 5700	Date (MMDDCCYY)	06152012
Operator Lease/Agreement Name	EI 99	Comments:	
ONRR Lease/Agreement Number	0540057000		
Agency Lease/Agreement Number			

**OGOR-A Detail Information**

Action Code	API Well Number	Producing Interval	Operator Well Number	Well Status Code	Days Produced	Production Volumes			Injection Volume (bbl/Mcf)
						Oil/Cond. (bbl)	Gas (Mcf)	Water (bbl)	
A	177090111100	S01	B008	11	30	590	90114	273	
A	177090112200	S01	A002	11	30	621	56342		
A	177090222200	S01	B017	11	31	391	2381	565	
<b>Total production</b>						1602	148837	838	
<b>Total Injection</b>									

**OGOR-B Detail Information**

Action Code	Disposition Code	Metering Point	Gas Plant	API Gravity	Btu	Disposition Volumes		
						Oil/Cond. (bbl)	Gas (Mcf)	Water (bbl)
A	10					1602		
A	01	3017707B004			1072		148417	
A	27							838
A	01	3017113B001			1103		420	
<b>Disposition Totals</b>						1602	148837	838

**OGOR-C Detail Information**

Action Code	Product Code	Inv. Storage Point No.	Metering Point No.	API Gravity	Beginning Inventory	Production	Sales	Adjustments		Ending Inventory
								Code	Vol	
A	01	01171131600	20171131600	30.3	356	1602	1209			749
<b>Totals</b>					356	1602	1209			749

**Example 5-38** Offshore—Storage facility oil used on lease as load oil

Key considerations (no schematic shown):

- Twenty-five barrels of oil are removed from inventory and injected into the well as load oil.
- One hundred-fifty barrels are produced into the storage tank, including the 25 bbls of load oil.
- Oil is sold through a downstream LACT unit.

**OGOR-A**

Production and/or injection volumes are allowed on one line for this status (offshore reporters only).

**OGOR-C**

- The Inventory Storage Point Number, Metering Point Number, and API Gravity fields are completed because there are sales.
- Because oil production was removed from inventory for load oil purposes, a Disposition Code **03** (Load Oil) is necessary to adjust the ending inventory balance.

**NOTE**

*When total injection volumes are from off-lease sources and oil is produced into a facility before sale, **total production** and **injection volumes** are shown on the OGOR-A, no injection volumes are reported on the OGOR-B. Disposition Code **05** (Sales—Not Subject to Royalty Recovered Injection – Measured) is reported on the OGOR-C showing the volume of oil recovered and sold.*

**Example 5-38****Offshore—Storage facility oil used on lease as load oil (cont.)****OGOR Fact Sheet**

Identification Information		Authorization Information	
—For electronic reporting, complete on Report Header only —For paper reporting, complete on all pages of the report		—For electronic reporting, complete on Part –A, -B, and/or -C —For paper reporting, complete on first page only	
Report Type	Original	Contact Name	Jane Doe
Production Month (MMCCYY)	042012	Telephone Number	3035555555
ONRR Operator Number	F9003	Extension Number	
XYZ Company	McKean Petroleum	Authorizing Signature	John Smith
Operator Lease/Agreement Number	OCS-G7890	Date (MMDDCCYY)	06152012
Operator Lease/Agreement Name	Bradford	Comments:	
ONRR Lease/Agreement Number	0540078900		
Agency Lease/Agreement Number			

**OGOR-A Detail Information**

Action Code	API Well Number	Producing Interval	Operator Well Number	Well Status Code	Days Produced	Production Volumes			Injection Volume (bbl/Mcf)
						Oil/Cond. (bbl)	Gas (Mcf)	Water (bbl)	
A	177151789000	S01	1	10	30	150	1000	2	25
<b>Total production</b>						150	1000	2	
<b>Total Injection</b>						25			

**OGOR-B Detail Information**

Action Code	Disposition Code	Metering Point	Gas Plant	API Gravity	Btu	Disposition Volumes		
						Oil/Cond. (bbl)	Gas (Mcf)	Water (bbl)
A	10					150		
A	01	3017707AB01			1150		1000	
A	27							
<b>Disposition Totals</b>						150	1000	

**OGOR-C Detail Information**

Action Code	Product Code	Inv. Storage Point No.	Metering Point No.	API Gravity	Beginning Inventory	Production	Sales	Adjustments		Ending Inventory
								Code	Vol	
A	01	01170770900	20170770900	39.8	300	150	400	03	-25	25
<b>Totals</b>					300	150	400		-25	25

**Example 5-39** Offshore—Load oil injected into a gas well for treatment

Key considerations (schematic not shown):

- The offshore Federal lease contains a producing gas well and a producing oil well.
- Load oil is purchased from off-lease to be used to inject into the gas well for treatment to enhance production/recovery.
- Well code **11** is used on the OGOR-A to report the “actual” volume produced (contains volume of diesel injected).
- Well code **22** is used on the OGOR-A to report the load oil injected.
- Adjustment code **05** (Sales—Not Subject to Royalty, Recovered Injection—Measured) is used on the OGOR-C to report the load oil injected as recovered and sold (no royalty due).

**OGOR Fact Sheet**

Identification Information		Authorization Information	
—For electronic reporting, complete on Report Header only —For paper reporting, complete on all pages of the report		—For electronic reporting, complete on Part –A, -B, and/or -C —For paper reporting, complete on first page only	
Report Type	Original	Contact Name	John Brown
Production Month (MMCCYY)	042012	Telephone Number	5045551111
ONRR Operator Number	F1011	Extension Number	
XYZ Company	ABC Operating Co.	Authorizing Signature	John Brown
Operator Lease/Agreement Number	OCS-G 4500	Date (MMDDCCYY)	06152012
Operator Lease/Agreement Name	Eugene Island Block 152	Comments:	
ONRR Lease/Agreement Number	0540045000		
Agency Lease/Agreement Number			

**OGOR-A Detail Information**

Action Code	API Well Number	Producing Interval	Operator Well Number	Well Status Code	Days Produced	Production Volumes			Injection Volume (bbl/Mcf)
						Oil/Cond. (bbl)	Gas (Mcf)	Water (bbl)	
A	177090123400	S01	B-3	11	21		3000		
A	177090123400	S01	B-3	22	9				100
A	177090134500	S01	B-4	08	30	550		10	
<b>Total production</b>						550	3000	10	
<b>Total Injection</b>						100			

**Example 5-39** Offshore—Load oil injected into a gas well for treatment (cont.)

**OGOR-B Detail Information**

Action Code	Disposition Code	Metering Point	Gas Plant	API Gravity	Btu	Disposition Volumes		
						Oil/Cond. (bbl)	Gas (Mcf)	Water (bbl)
A	10					550		
A	01	3017709BB01			1150		30000	
A	27							10
<b>Disposition Totals</b>						550	30000	10

**OGOR-C Detail Information**

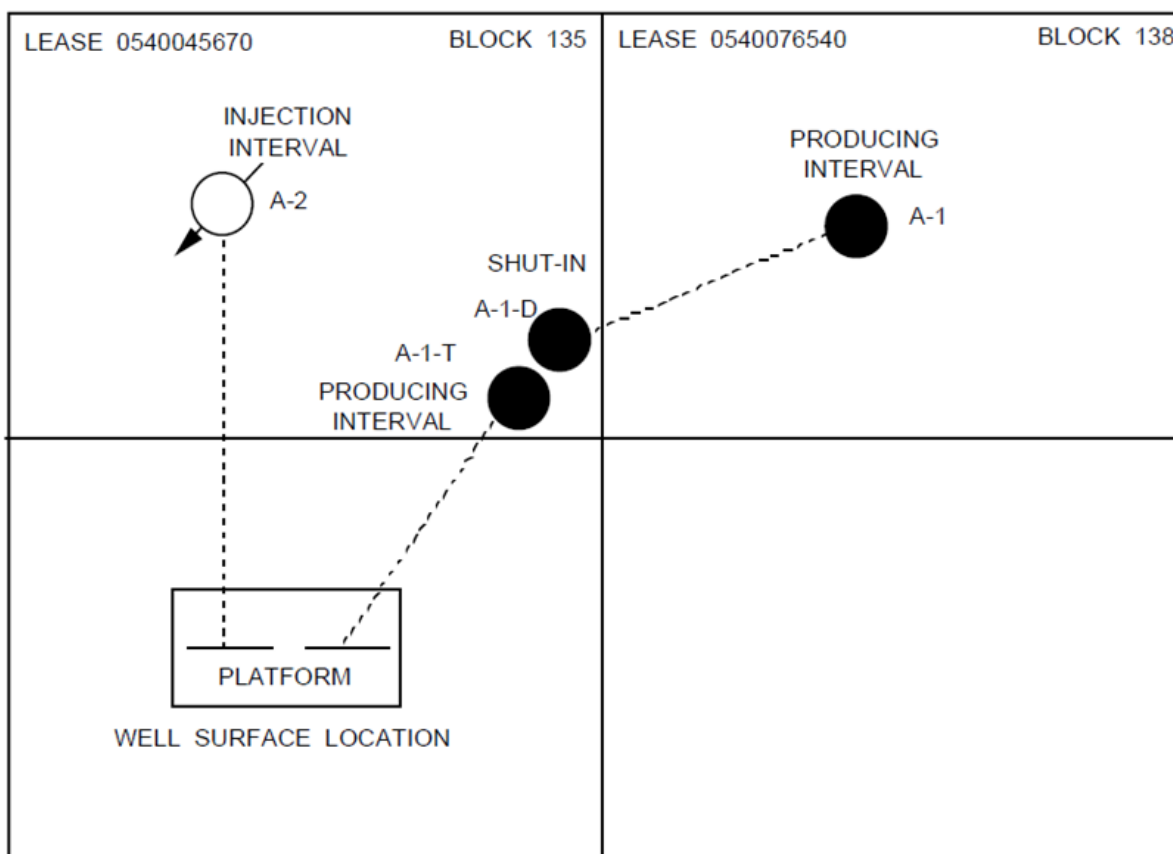
Action Code	Product Code	Inv. Storage Point No.	Metering Point No.	API Gravity	Beginning Inventory	Production	Sales	Adjustments		Ending Inventory
								Code	Vol	
A	01	0117096400	20177026400	36.5	700	550	1150	05	-100	0
<b>Totals</b>					700	550	1150		-100	0

## 5 How to Complete the OGOR

### **Example 5-40** Offshore—Two wells directionally drilled into two other leases

Key considerations:

- There is no producing interval on the lease where the platform is located.
- One well is a triple completion with two intervals, a producing and a nonproducing oil completion on one lease, and a third producing oil completion on another lease.
- The other well is a single completion, water disposal well with the completed interval located on the same lease as the producing and nonproducing oil completions.
- One OGOR is completed for each lease where an interval exists.
- The status of each completion is reported on the appropriate OGOR-A.



**Example 5-40****Offshore—Two wells directionally drilled into two other leases (cont.)****OGOR Fact Sheet #1**

Identification Information		Authorization Information	
—For electronic reporting, complete on Report Header only —For paper reporting, complete on all pages of the report		—For electronic reporting, complete on Part –A, -B, and/or -C —For paper reporting, complete on first page only	
Report Type	Original	Contact Name	Jack K. Long
Production Month (MMCCYY)	042012	Telephone Number	7165551234
ONRR Operator Number	F2345	Extension Number	4345
XYZ Company	Oil Company Inc.	Authorizing Signature	Thomas L. Jones
Operator Lease/Agreement Number	OCS-G 4567	Date (MMDDCCYY)	06152012
Operator Lease/Agreement Name	Eugene Island Block 135	Comments:	
ONRR Lease/Agreement Number	0540045670		
Agency Lease/Agreement Number			

**OGOR-A Detail Information**

Action Code	API Well Number	Producing Interval	Operator Well Number	Well Status Code	Days Produced	Production Volumes			Injection Volume (bbl/Mcf)
						Oil/Cond. (bbl)	Gas (Mcf)	Water (bbl)	
A	177090123000	T02	A-1-D	12335	0				
A	177090123000	T03	A-1-T	08	26	5674	10864	1264	
A	177090125000	S01	A-2	05	27				4328
<b>Total production</b>						5674	10864	1264	
<b>Total Injection</b>								4328	

**OGOR-B and OGOR-C not shown**

## 5 How to Complete the OGOR

### **Example 5-40** Offshore—Two wells directionally drilled into two other leases (cont.)

#### OGOR Fact Sheet #2

Identification Information		Authorization Information	
—For electronic reporting, complete on Report Header only —For paper reporting, complete on all pages of the report		—For electronic reporting, complete on Part -A, -B, and/or -C —For paper reporting, complete on first page only	
Report Type	Original	Contact Name	Jack K. Long
Production Month (MMCCYY)	042012	Telephone Number	7165551234
ONRR Operator Number	F2345	Extension Number	4345
XYZ Company	Oil Company Inc.	Authorizing Signature	Thomas L. Jones
Operator Lease/Agreement Number	OCS-G 7654	Date (MMDDCCYY)	06152012
Operator Lease/Agreement Name	Eugene Island Block 135	Comments:	
ONRR Lease/Agreement Number	0540076540		
Agency Lease/Agreement Number			

#### OGOR-A Detail Information

Action Code	API Well Number	Producing Interval	Operator Well Number	Well Status Code	Days Produced	Production Volumes			Injection Volume (bbl/Mcf)
						Oil/Cond. (bbl)	Gas (Mcf)	Water (bbl)	
A	177090123000	T01	A-1	08	24	12654	6897	3064	
<b>Total production</b>						12654	6897	3064	
<b>Total Injection</b>									

OGOR-B and OGOR-C not shown



**Example 5-41****Offshore—Federal offshore well squeezed, plugged, and abandoned in same production month**

Key considerations (schematic not shown):

- The well is dually completed (**D01/D02**).
- When offshore unitized wells are abandoned, the borehole must be reported as plugged and abandoned back at the lease level.
- When a well is plugged and abandoned, a producing interval of **X01** must be reported.
- Although the well was squeezed, plugged, and abandoned in the same month, it must be reported for two production months because ONRR's computer system stores only **one** record for **each** zone, regardless of the tubing string indicator. For example, **X01** and **S01** are considered one record that can only be reported once for a production month. Also, a completion (**S01, D02, S02**, etc.) must be reported squeezed (well status **15**) **before** the borehole can be plugged and abandoned (well status **16**).
- The dually completed wells (**D01/D02**) are reported as completion abandoned (well status **15**) for the month that the action occurred.
- Both completions are shown as completion squeezed (status 15) at the unit level.
- The **next** report month, the well is reported as plugged and abandoned (well status **16**), even though this action occurred in the same month as the **completion abandoned** action.
- The plugged and abandoned well is reported back at the **lease** level using a producing interval of **X01**.

**NOTE**

*If one or both of the completions produced the same month as the squeeze, the completion must be reported as producing for that month and reported as squeezed the following month. The borehole (X01) on the lease will then be reported plugged and abandoned the month after the completion is reported squeezed.*

## 5 How to Complete the OGOR

**Example 5-41** Offshore—Federal offshore well squeezed, plugged, and abandoned in same production month (cont.)

### OGOR Fact Sheet #1

Identification Information		Authorization Information	
—For electronic reporting, complete on Report Header only —For paper reporting, complete on all pages of the report		—For electronic reporting, complete on Part -A, -B, and/or -C —For paper reporting, complete on first page only	
Report Type	Original	Contact Name	John Smith
Production Month (MMCCYY)	042012	Telephone Number	5555551234
ONRR Operator Number	F1234	Extension Number	240
XYZ Company	Deep Sea Exploration	Authorizing Signature	John Smith
Operator Lease/Agreement Number	14-08-0001-6000	Date (MMDDCCYY)	06152012
Operator Lease/Agreement Name	McKenzie Canyon 428	Comments:	
ONRR Lease/Agreement Number	8910060000		
Agency Lease/Agreement Number			

### OGOR-A Detail Information

Action Code	API Well Number	Producing Interval	Operator Well Number	Well Status Code	Days Produced	Production Volumes			Injection Volume (bbl/Mcf)
						Oil/Cond. (bbl)	Gas (Mcf)	Water (bbl)	
A	171136543200	D01	A14	15					
A	171136543200	D02	A14B	15					
<b>Total production</b>									
<b>Total Injection</b>									

OGOR-B and OGOR-C not shown

**Example 5-41****Offshore—Federal offshore well squeezed, plugged, and abandoned in same production month (cont.)****OGOR Fact Sheet #2**

Identification Information		Authorization Information	
—For electronic reporting, complete on Report Header only —For paper reporting, complete on all pages of the report		—For electronic reporting, complete on Part -A, -B, and/or -C —For paper reporting, complete on first page only	
Report Type	Original	Contact Name	John Smith
Production Month (MMCCYY)	052012	Telephone Number	5555551234
ONRR Operator Number	F1234	Extension Number	240
XYZ Company	Deep Sea Exploration	Authorizing Signature	John Smith
Operator Lease/Agreement Number	OCS-G 396	Date (MMDDCCYY)	07152012
Operator Lease/Agreement Name	McKenzie Canyon 428	Comments:	
ONRR Lease/Agreement Number	0540003960		
Agency Lease/Agreement Number			

**OGOR-A Detail Information**

Action Code	API Well Number	Producing Interval	Operator Well Number	Well Status Code	Days Produced	Production Volumes			Injection Volume (bbl/Mcf)
						Oil/Cond. (bbl)	Gas (Mcf)	Water (bbl)	
A	171136543200	X01	14	16					
<b>Total production</b>									
<b>Total Injection</b>									

**OGOR-B and OGOR-C not shown**

**Example 5-42** Offshore—Royalty relief

Key consideration (schematic and OGOR not shown):

BSEE has determined the lease or agreement qualifies for royalty relief (royalty-free volumes).

**OGOR-A**

Each operator reports all wells and total production for their lease or agreement.

**OGOR-B**

- Use Disposition Code **09** (Sales — Royalty Not Due — MEASURED) for each product to reflect that portion of the production receiving royalty relief. API Gravity/Btu is required. An approved metering point is required.
- Any production not qualified for royalty relief must be reported using applicable disposition codes.

**OGOR-C**

- Use Adjustment Code **09** (Sales — Royalty Not Due — MEASURED) for any portion of a product, qualified for royalty relief, going to inventory.
- Other forms of royalty relief may require unique reporting instructions. ONRR notifies you in writing, if necessary.