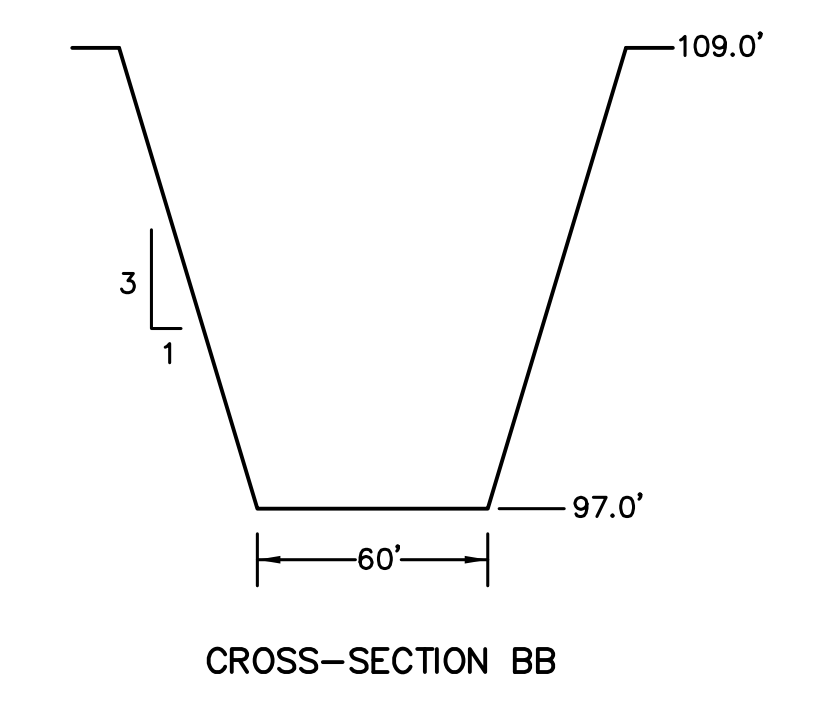
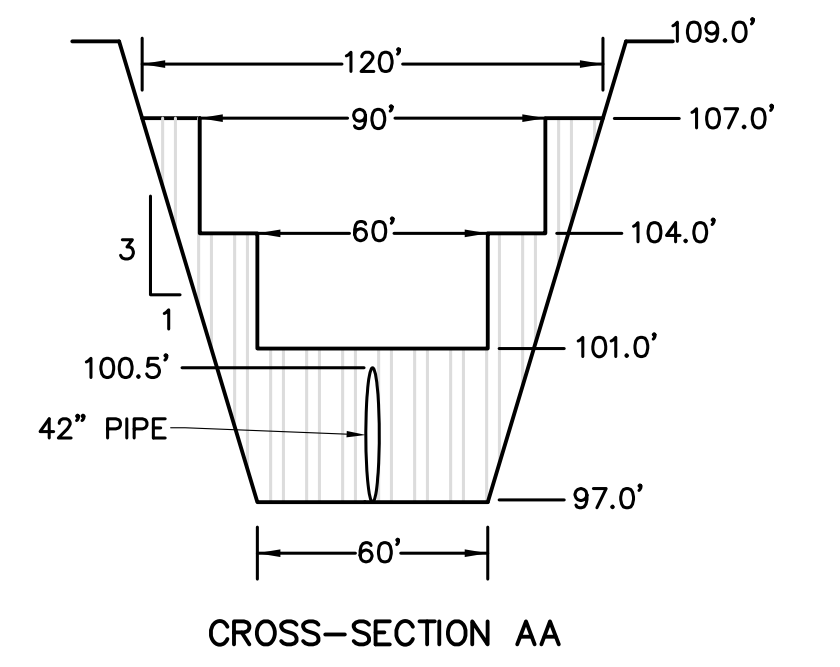
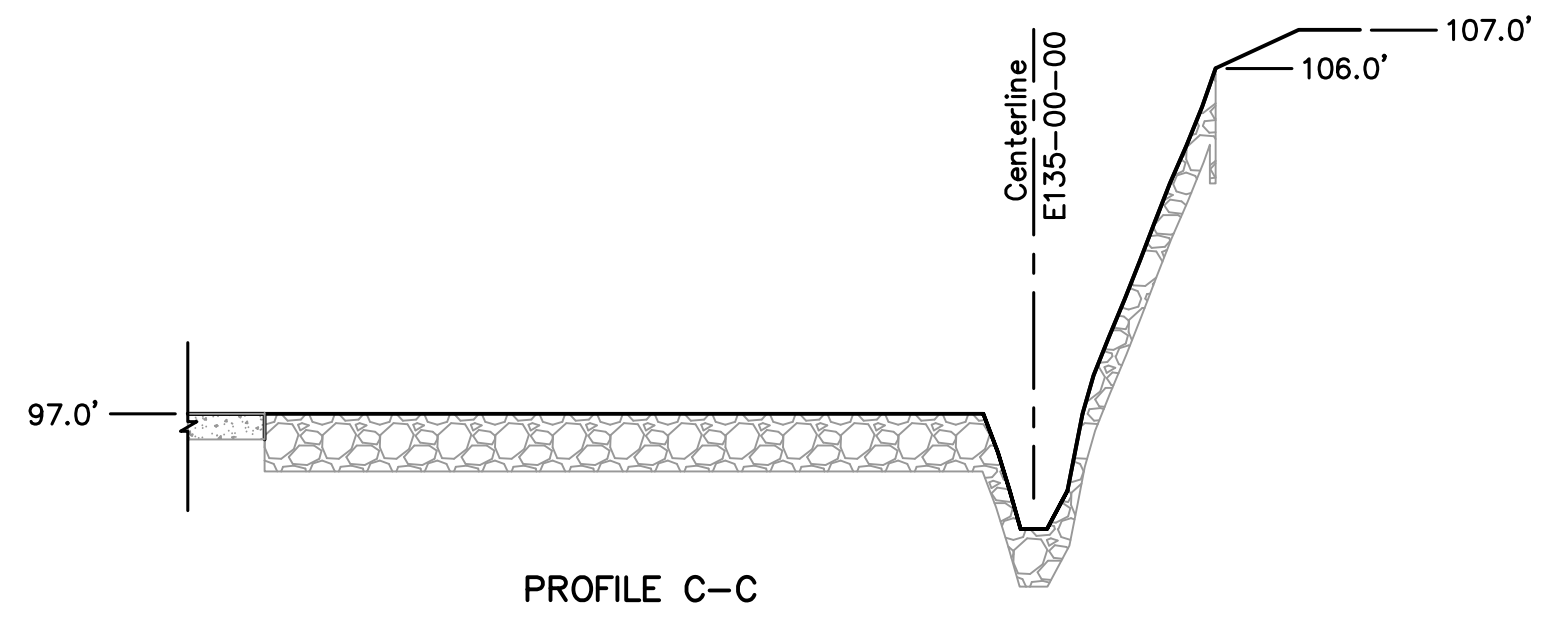
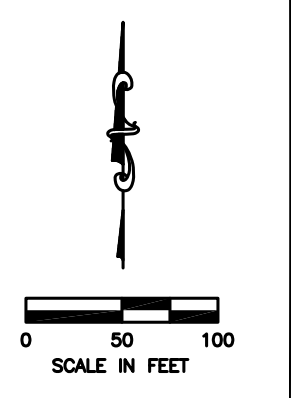


Appendix B
Project Plan Layout

H:\3545 E535-01-00-E004.dwg 072110_Construction_Plans.dwg Jul. 22, 2010-2:27pm



- LEGEND:**
- MITIGATION WETLANDS (1.6 ACRES)
 - PROP. WATER QUALITY WETLANDS
 - PROP. CONCRETE SLOPE PAVING
 - PROP. RIP-RAP
 - PROP. FILL

**PROPOSED REGRADING
E535-01-00
DETENTION FACILITY**

SUBTITLE
CITY OF JERSEY VILLAGE
HARRIS COUNTY, TEXAS

**r.g.miller
engineers**
since 1966

12121 Wickchester Lane - Suite 200
Houston, Texas 77079
DATE: APRIL, 2010 SCALE: 1"=100'