



Swedish Civil
Contingencies
Agency

Swedish Civil Contingencies Agency



The mission of MSB is to enhance and support societal capacities to ***prepare for***, and to ***prevent*** emergencies and crises. When one does occur, we support the stakeholders involved by taking the right measures to control the situation.



Swedish Civil
Contingencies
Agency

Information Assurance Section

*Overall governmental responsibility for society's
information assurance issues in Sweden*

Incidence Response

Since 2011: CERT-SE

Exercises

Systematic Information Security

Critical Information Infrastructures

Secure Communications

Health Care

Standardization

Education and Research



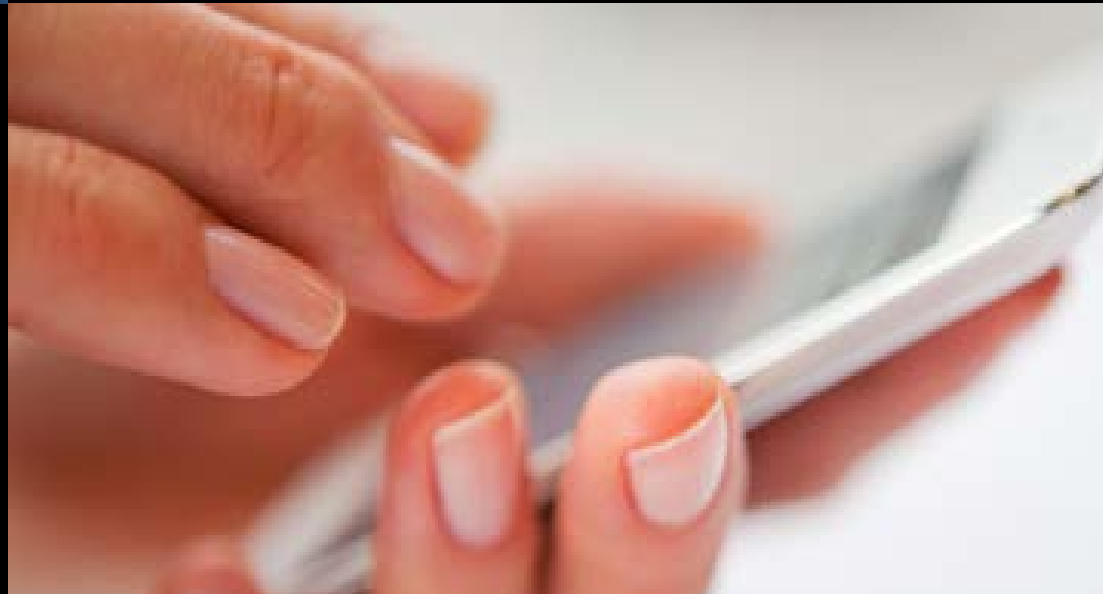
Swedish Civil
Contingencies
Agency

Sample Activities



Security in Cloud-Computing

**Secure Mobile
Computing**





Swedish Civil
Contingencies
Agency



Information Security and Integrity in the Healthcare Sector



Swedish Civil
Contingencies
Agency

Informations Security in School



Today's children deal with a large amount of digital informations. ICT and internet is heavily intergrated into their lives. However, they do need knowledge and tools in order to handle the challenges and risks that comes with the information society.



Informations Security in School

I use the same password and username for several different accounts.

64 %

I would talk to my teacher if I found something threatening on the Internet-

22%

I don't know what a security backup is.

77 %

81%

TALK TO THEIR PARENTS



Industrial Control Systems

**“IT-based systems
manipulating the
real world”**





Swedish Civil
Contingencies
Agency

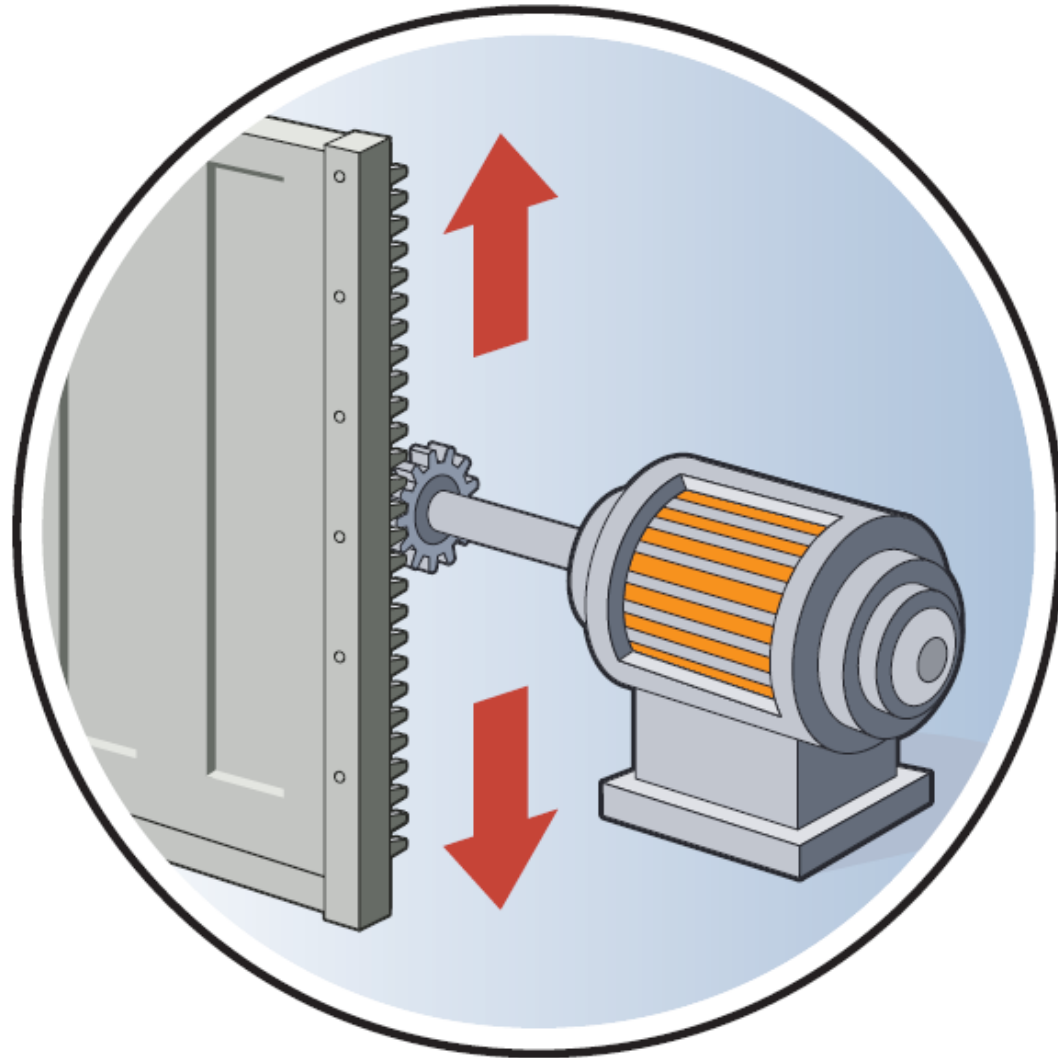
Process to be controlled



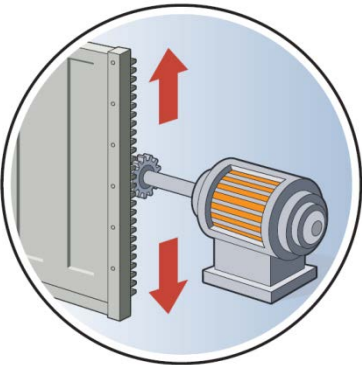


Swedish Civil
Contingencies
Agency

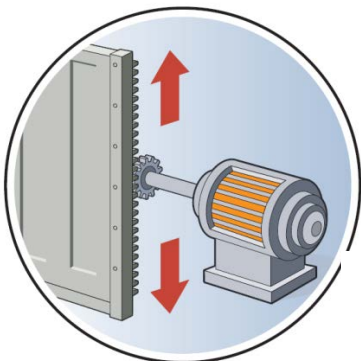
Acutator



Sensor



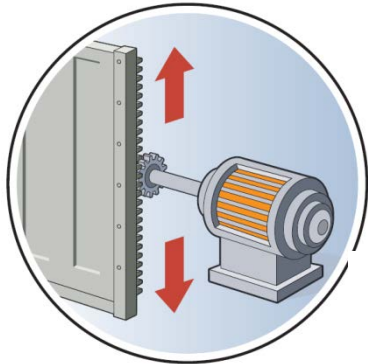
Controller (PLC, RTU)



MSB

Swedish Civil
Contingencies
Agency

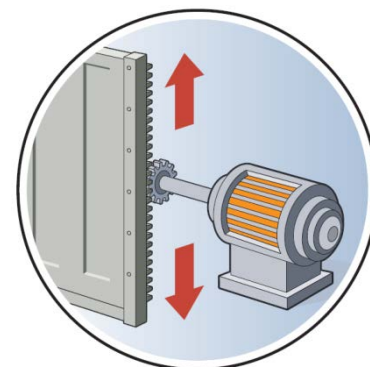
Human Machine Interface



MSB

Swedish Civil
Contingencies
Agency

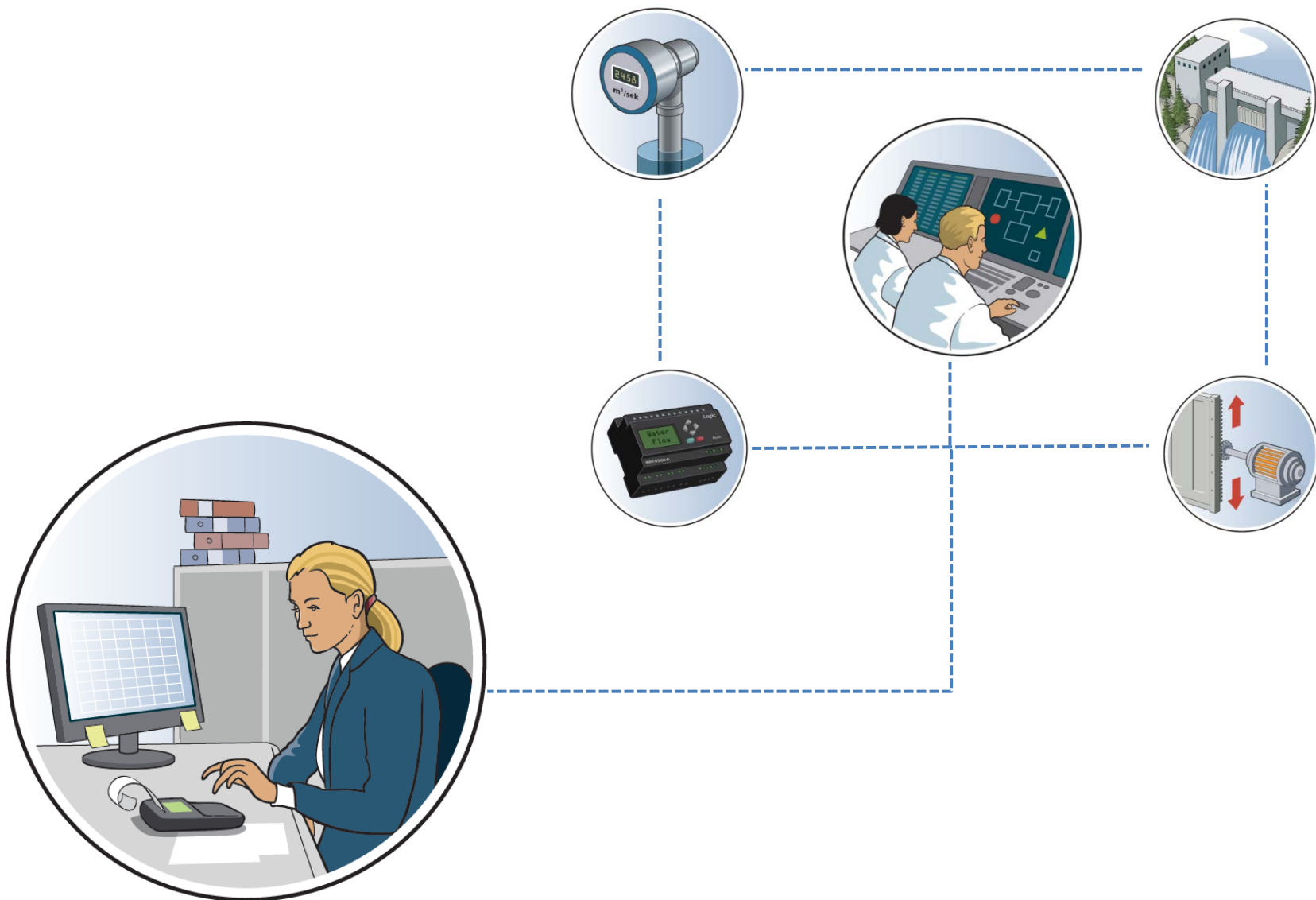
SCADA-System



MSB

Swedish Civil
Contingencies
Agency

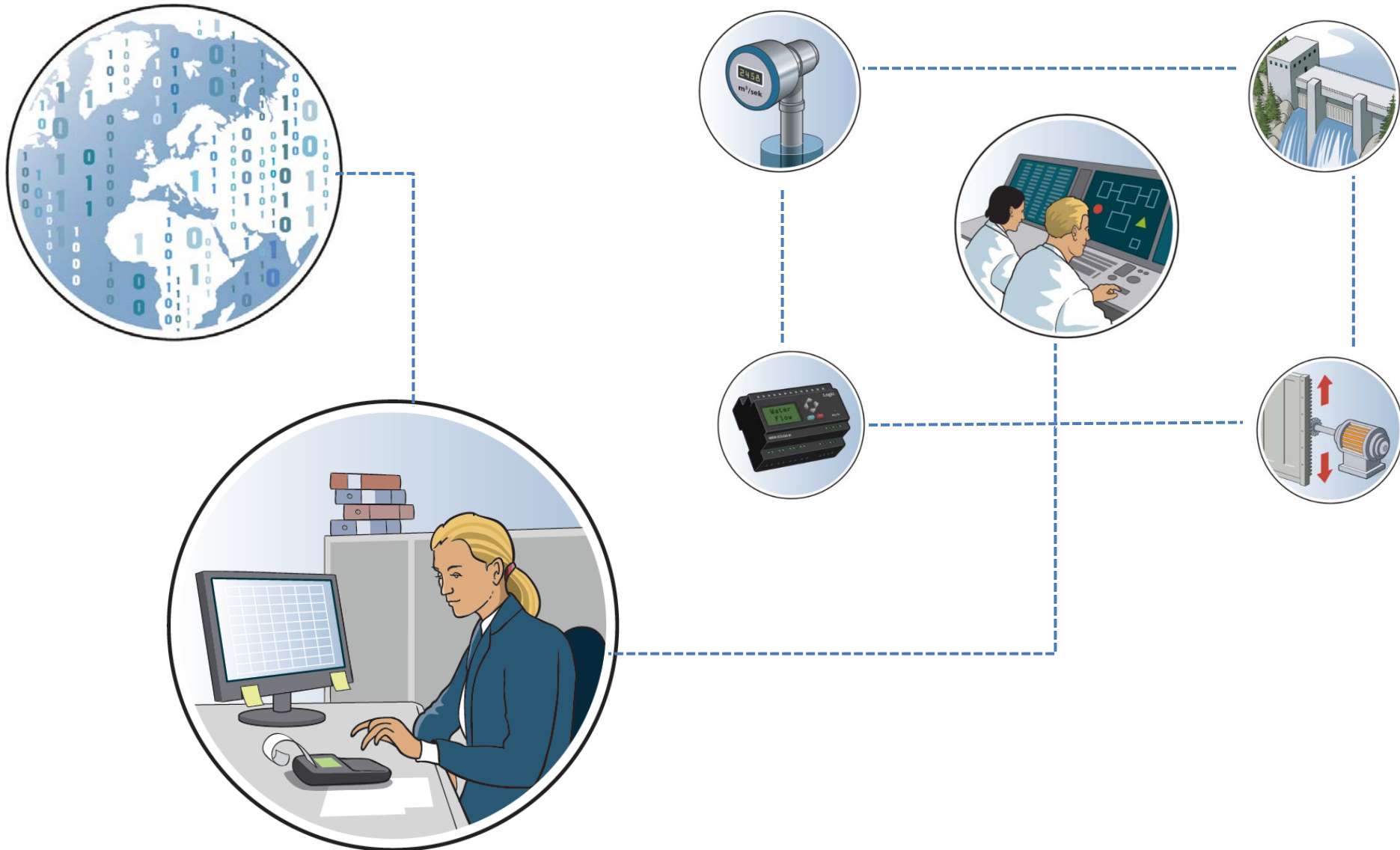
Connect to Administrative Network



MSB

Swedish Civil
Contingencies
Agency

Connect to the Internet

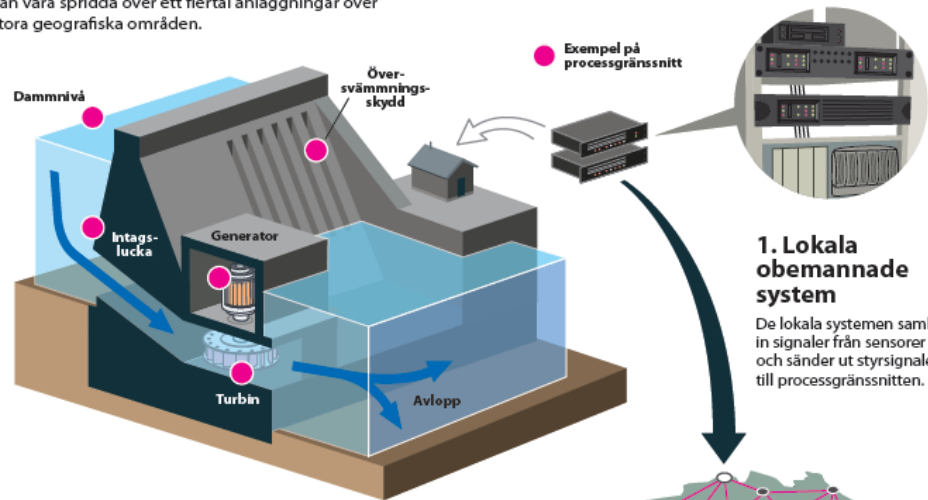




Geographically Distributed Systems

Industriellt informations- och styrsystem

Bilden visar den principiella uppbyggnaden av ett kontrollsystem. Den fysiska processen kan innehålla ett stort antal mätpunkter som kan vara spridda över ett flertal anläggningar över stora geografiska områden.

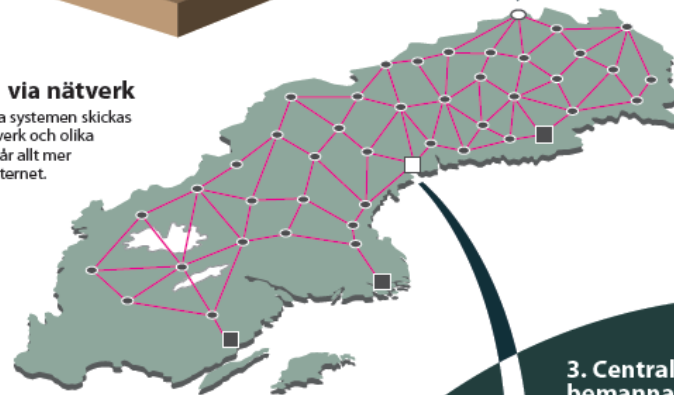


1. Lokala obemannade system

De lokala systemen samlar in signaler från sensorer och sänder ut styrsignaler till processgränssnitten.

2. Dataöverföring via nätverk

Mellan de lokala och centrala systemen skickas information via trådlösa nätverk och olika typer av fasta nät. Trenden går allt mer mot öppna lösningar som internet.



3. Centrala bemannade system

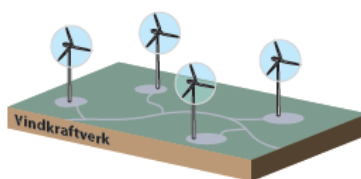
Här sker själva drifttagningen av systemet

Människa-maskin gränssnitt



Exempel på liknande system

Samma uppbyggnad av kontrollsystem finns förekommer på många håll.





Swedish Civil
Contingencies
Agency

Cultural Clashes



Process engineers
know nothing about
IT

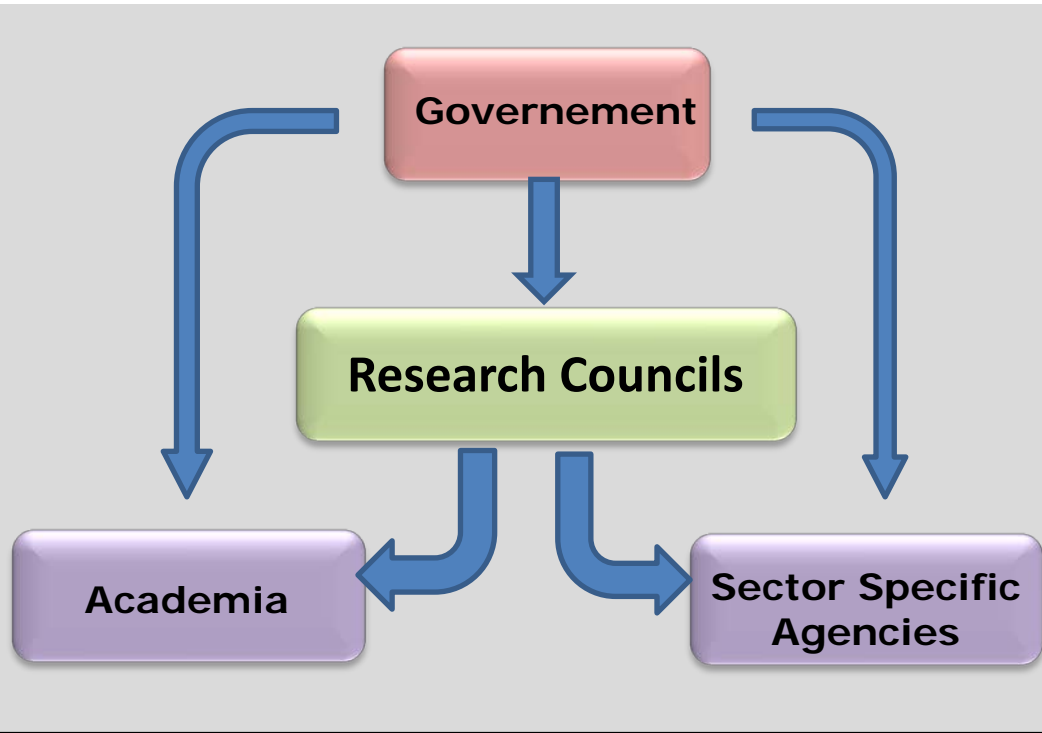
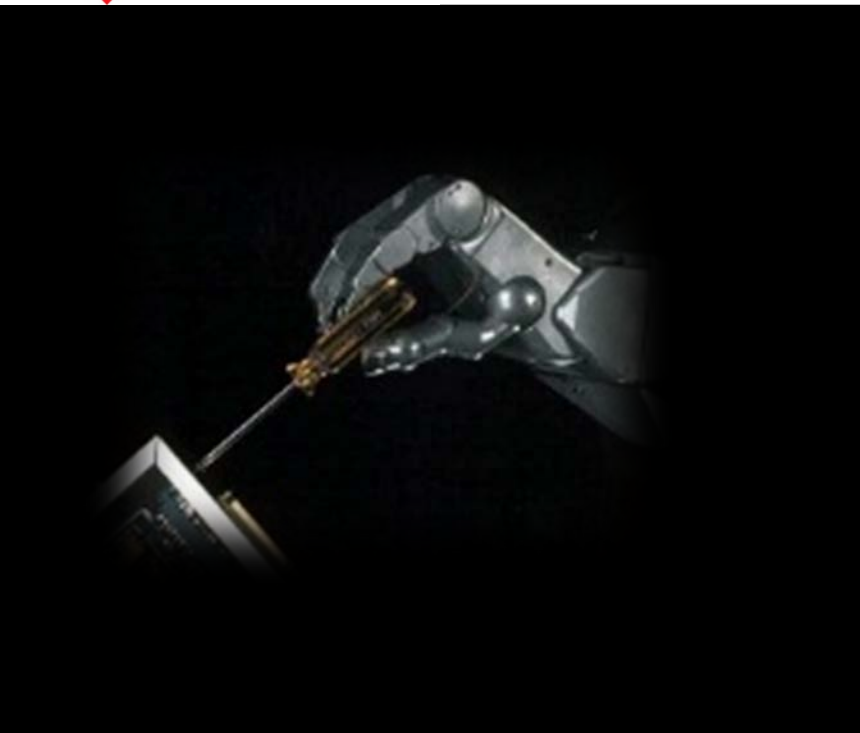
The IT-people know
nothing about
running a process





Swedish Civil
Contingencies
Agency

Research in Sweden



Almost 4% of BNP goes into research

75% of research carried out in the private sector





Swedish Civil
Contingencies
Agency

Research in Sweden Related to Information Security

Approximately 150 researchers in academia
and research institutes are working on
information- or it-security related topics.



Almost 50% of them hold a Ph.D.

Research is distributed over approximately ten
Institutes and Universities.



Swedish Civil
Contingencies
Agency

Typical Research Areas



Security in Industrial Control Systems, SCADA

Security in Smartgrids

Cryptography

Network Security

Security Metrics

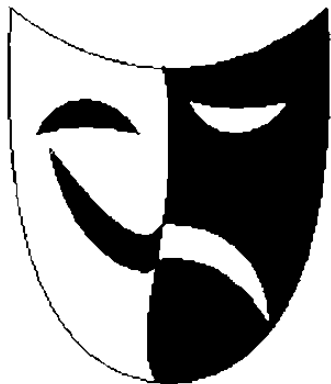
Security Culture



Swedish Civil
Contingencies
Agency

Security Culture and Information Technology - SECURIT

**Traditionally, Swedish
research in information-
security has been biased
towards technical aspects**



SECURIT

SECURIT will study:

**Security-relevant characteristics of
humans and organizations**

**The effect of applied social
measures**



Swedish Civil
Contingencies
Agency

Research Strategy



Information Security is an interdisciplinary field

Each sector cannot afford big projects on their own

By coordinating the sectors we can reach a critical mass



Swedish Civil
Contingencies
Agency

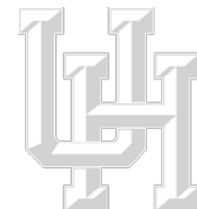
International Research Collaborations



TTA 3 – Usable Security

Implicit and Continuous Mobile User
Identification/ Authentication Using
Smartphone Sensors

University of Houston



TTA 6 – Modeling of Internet Attacks

Advanced Situation Awareness of High Impact
Malware Attacks Against the Internet Routing
Infrastructure

Columbia University



TTA 8 – Incident Response Communities

Improving CSIRT Skills, Dynamics and Effectiveness

Dartmouth College



TTA 9 – Cyber Economics

Reducing the Challenges to Making Cybersecurity
Investments in the Private Sector

University of Maryland

