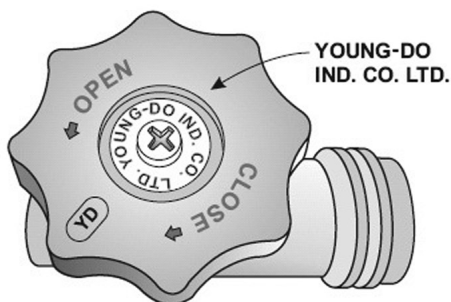
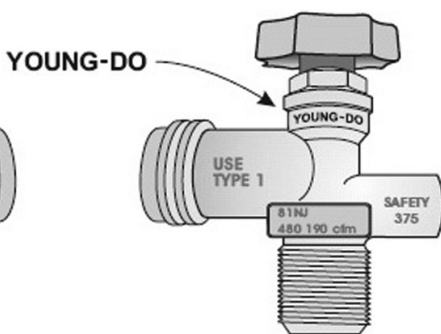
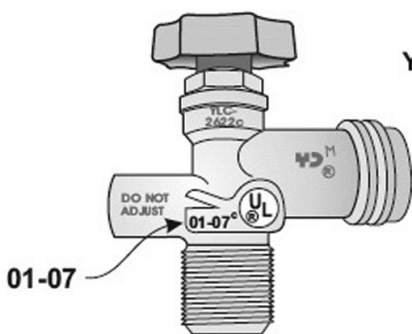


IMPORTANT SAFETY NOTICE AND RECALL

OF 20 LB PROPANE GAS TANKS (B.B.Q.) EQUIPPED WITH YOUNG-DO VALVES



Some 20 LB propane gas tanks equipped with a Young-Do brand valve are defective. Gas could leak from the valve and result in the risk of a fire.



The valves in question are clearly identified under the **Young-Do** brand or by **YD** above the valve handle, in the centre. The **Young-Do** brand name or **YD** may also be marked on the body of the valve, just below the handle.

If you own such a tank, it is important that you do not use it. Please return it to your retailer without delay. It will be replaced at no cost by your retailer.

As a leader in the industry, Superior Propane is committed to meeting the highest safety standards in all of our operations and to helping safeguard the lives, health and property of our employees, contractors, customers and the communities in which we live and work.

Superior
Propane

www.superiorpropane.com (see section "The Propane Advantage")

| 877 873-7467 | Monday to Friday: 7:00 a.m. to 8:00 p.m.

Saturday: 8:00 a.m. to 2:00 p.m.