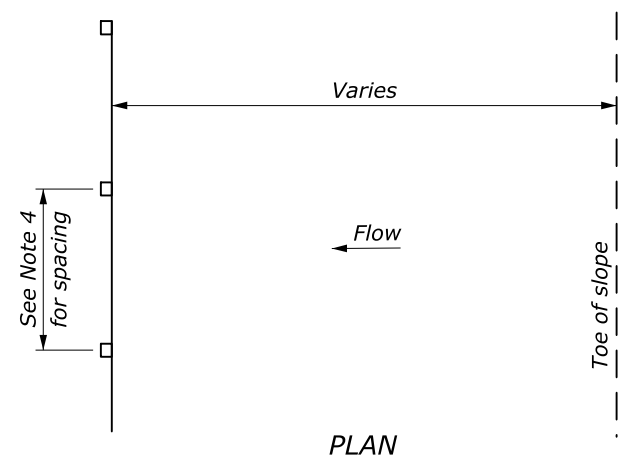
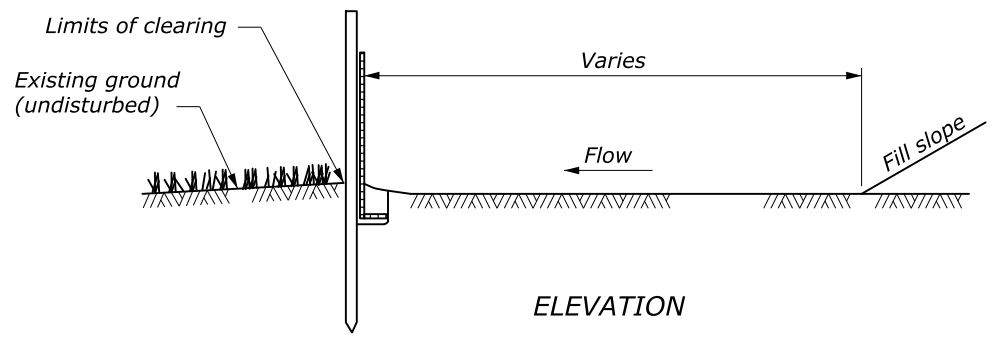
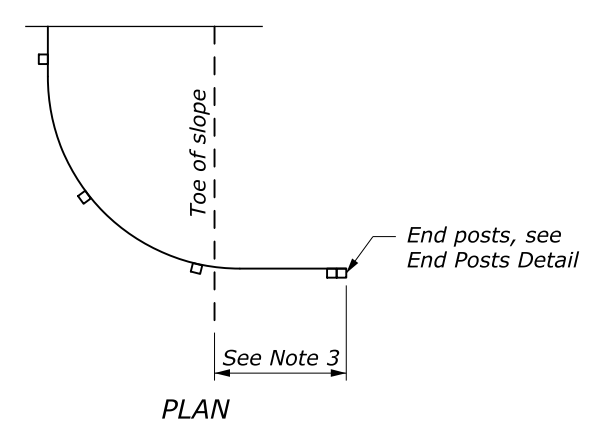


POST AND GEOTEXTILE INSTALLATION DETAIL

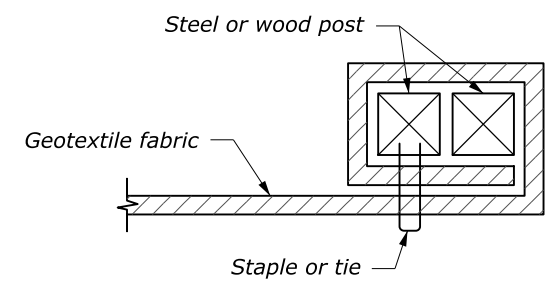


NOTE:

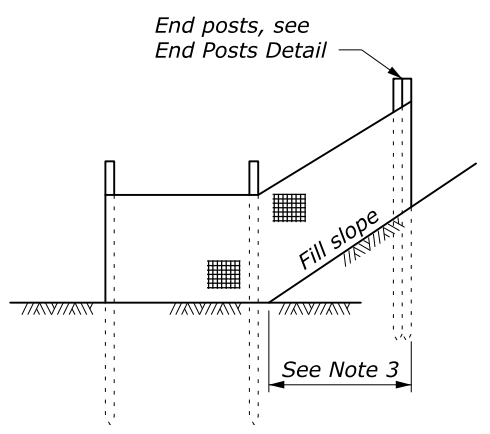
1. Alternate preassembled silt fence options will be allowed as long as specified dimensions are satisfied. Follow manufacturer's recommendations for installation procedures. All types must ensure silt fence remains attached to, and does not slide down, supporting posts.
2. Install silt fence to follow the ground contours as closely as possible.
3. Curve ends of silt fence upgrade to prevent water from running around the ends.
4. 10-foot (max.) spacing with silt fence reinforcement. 6-foot (max.) spacing without silt fence reinforcement.



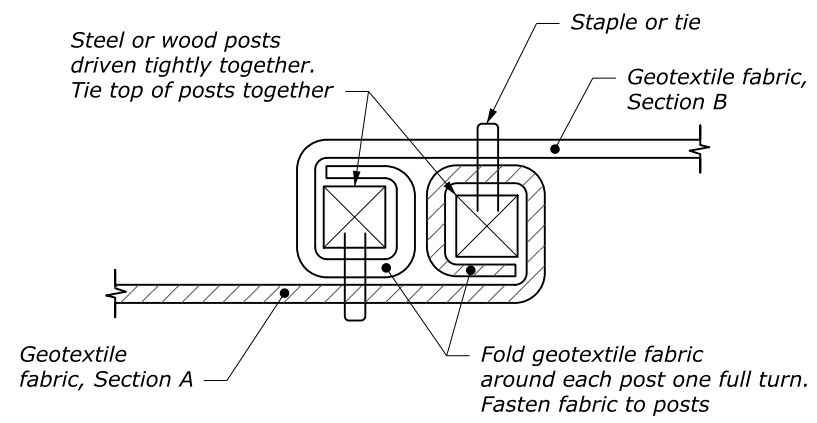
SILT FENCE INSTALLATION AT TOE OF FILL



END POSTS DETAIL



END DETAIL



POSTS AT JOINTS

U.S. DEPARTMENT OF TRANSPORTATION FEDERAL HIGHWAY ADMINISTRATION WESTERN FEDERAL LANDS HIGHWAY DIVISION	
U.S. CUSTOMARY DETAIL	
SILT FENCE	
DETAIL APPROVED FOR USE --/----	DETAIL
REVISED: 10/2016	W157-1

NO SCALE