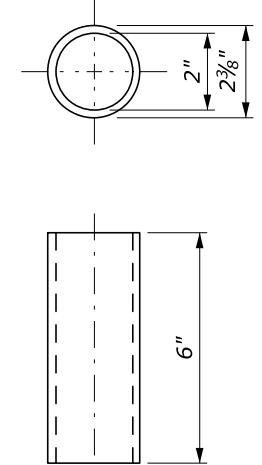


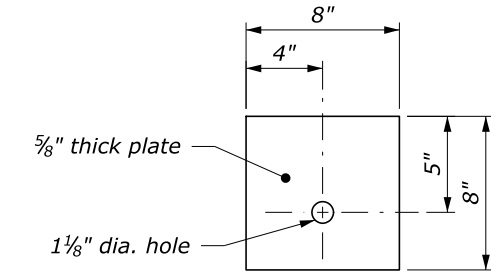
ANCHOR PLATE DETAILS FOR LST ANCHORAGE ASSEMBLY

NOTE:

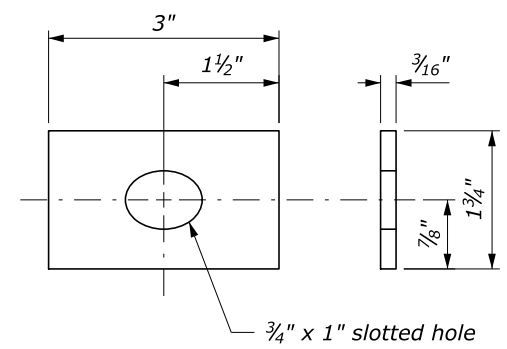
1. Dimensional tolerances not shown or implied are intended to be those consistent with the proper functioning of the part, including its appearance, and accepted manufacturing practices.



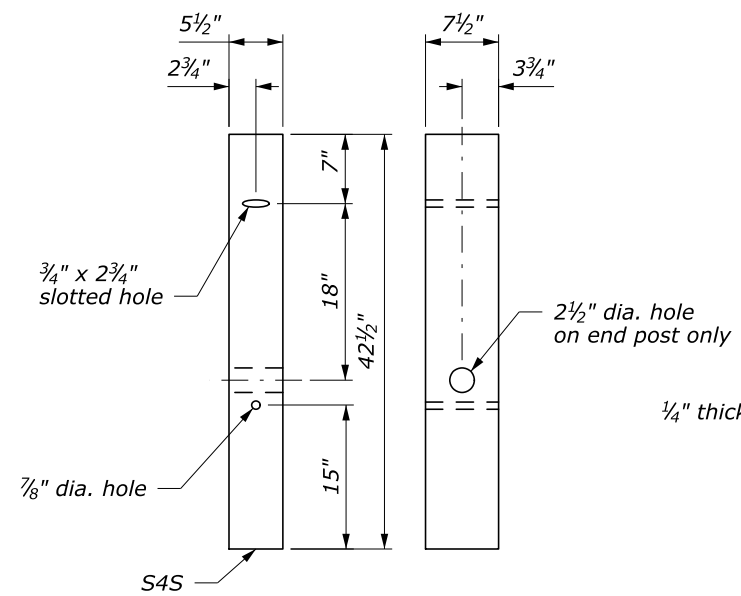
POST SLEEVE



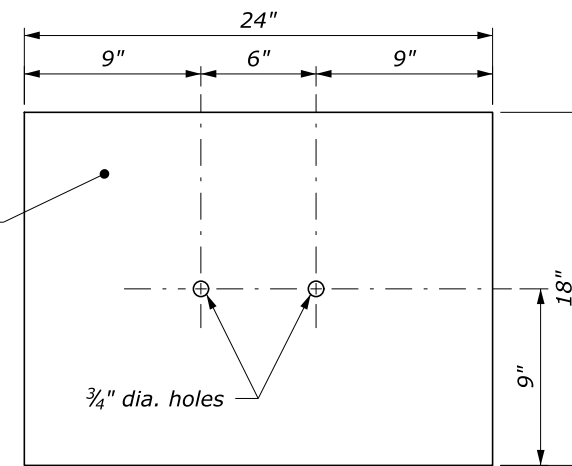
BEARING PLATE



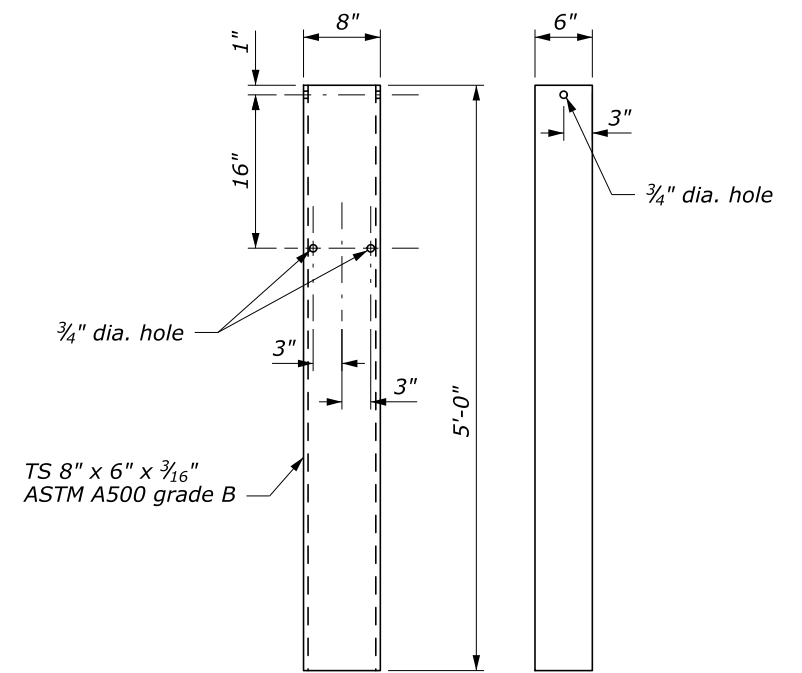
RECTANGULAR PLATE WASHER
(Use to attach the section to the post of anchorage assembly)



TERMINAL POST

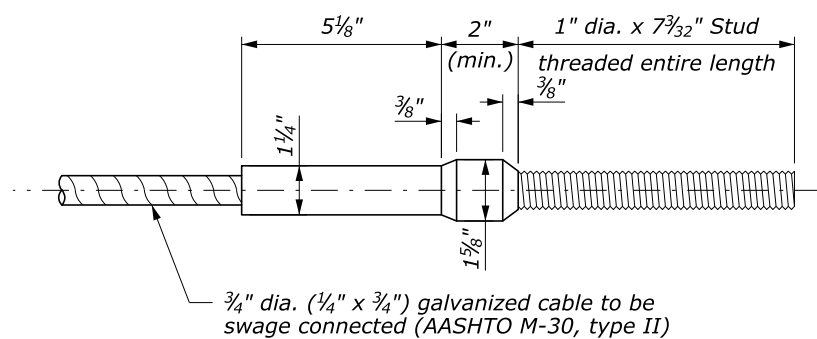


SOIL PLATE
(2 REQUIRED)

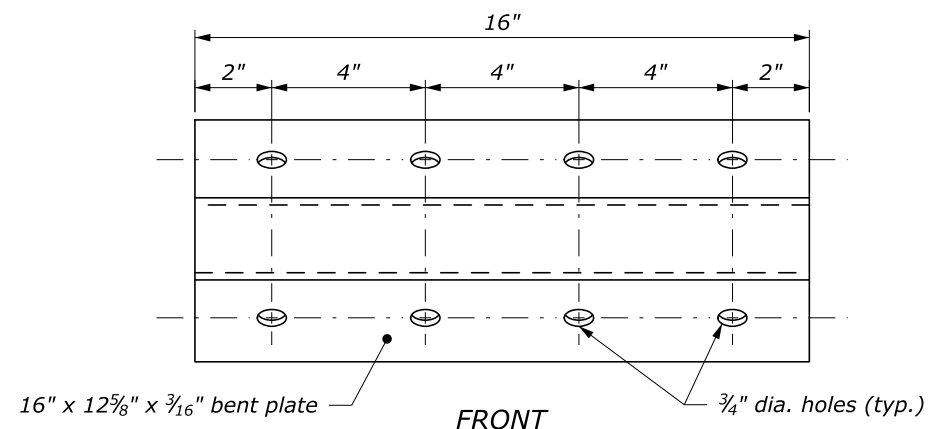


STEEL TUBE ANCHOR

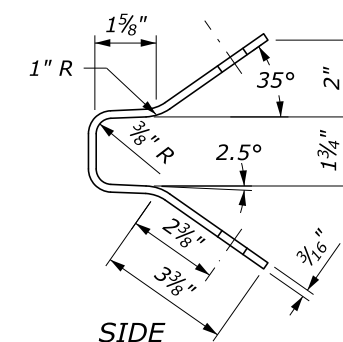
TS 8" x 6" x 3/16" ASTM A500 grade B



CABLE ASSEMBLY
(Standard swaged fitting and stud)



GUARDRAIL ANCHOR PLATE



NO SCALE

U.S. DEPARTMENT OF TRANSPORTATION FEDERAL HIGHWAY ADMINISTRATION EASTERN FEDERAL LANDS HIGHWAY DIVISION	
U.S. CUSTOMARY DETAIL	
G4 W-BEAM GUARDRAIL MELT, LST & CRT ANCHORAGE ASSEMBLY DETAILS	
STANDARD APPROVED FOR USE 1/1994	DETAIL
REVISED: 4/1994 6/2005 5/2014 4/2016	ET 617-15