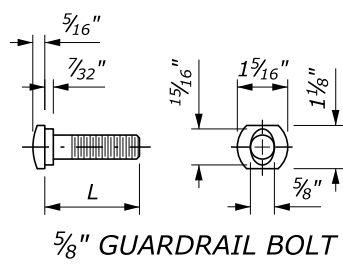
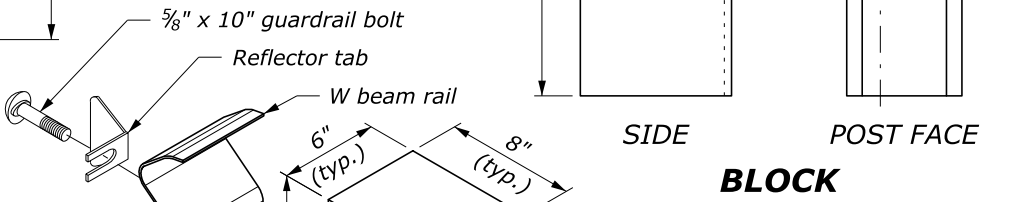
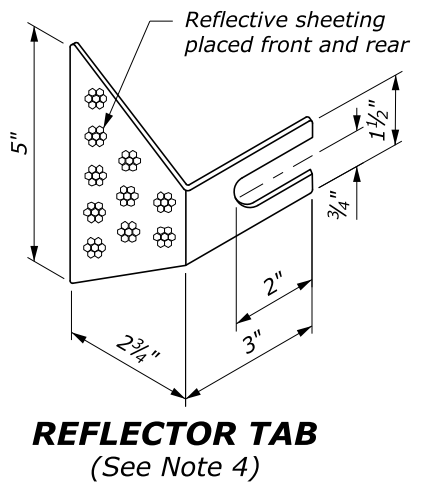
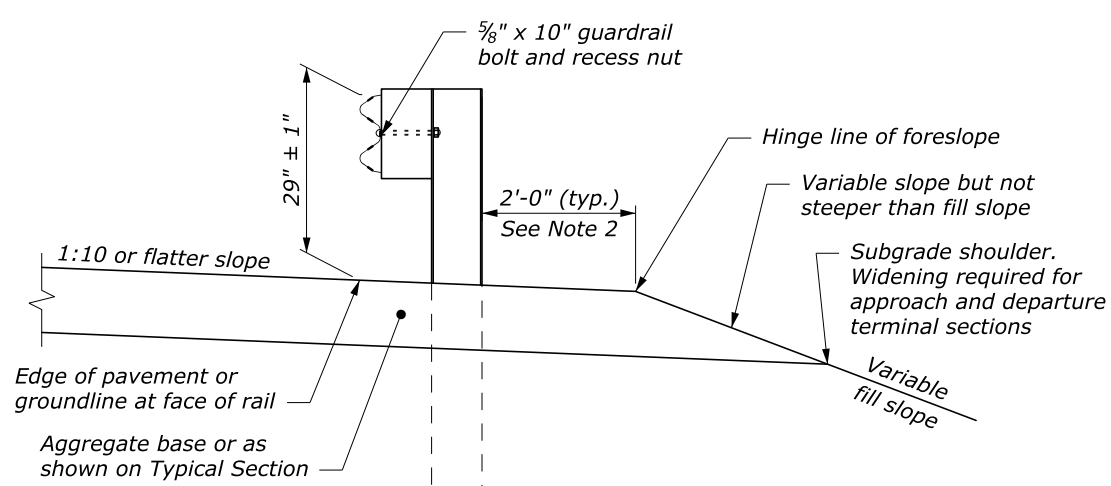
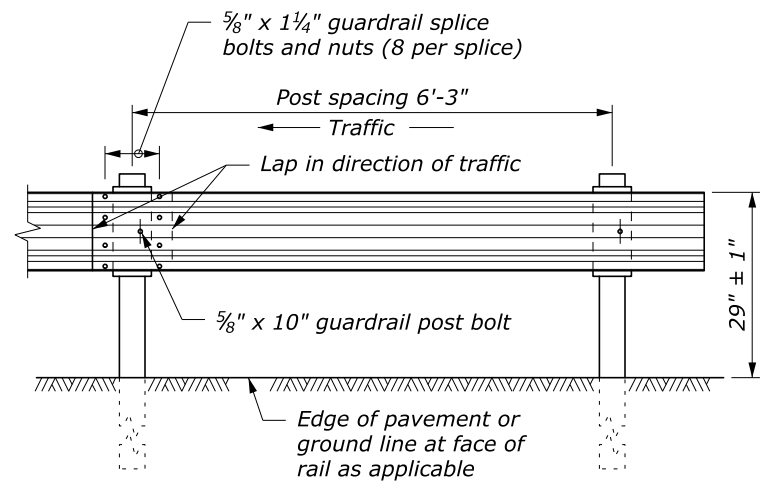
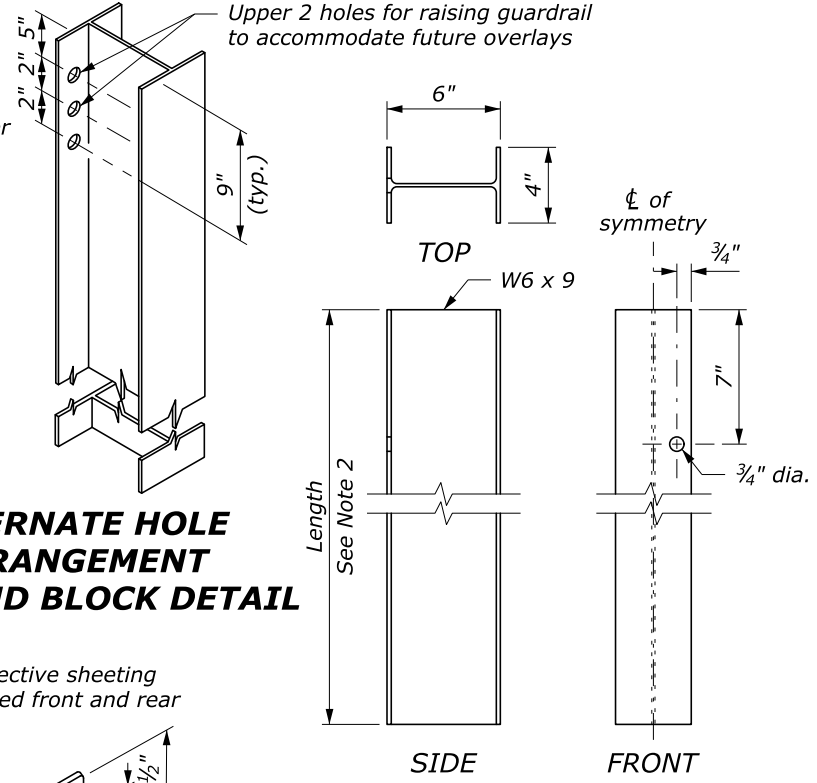
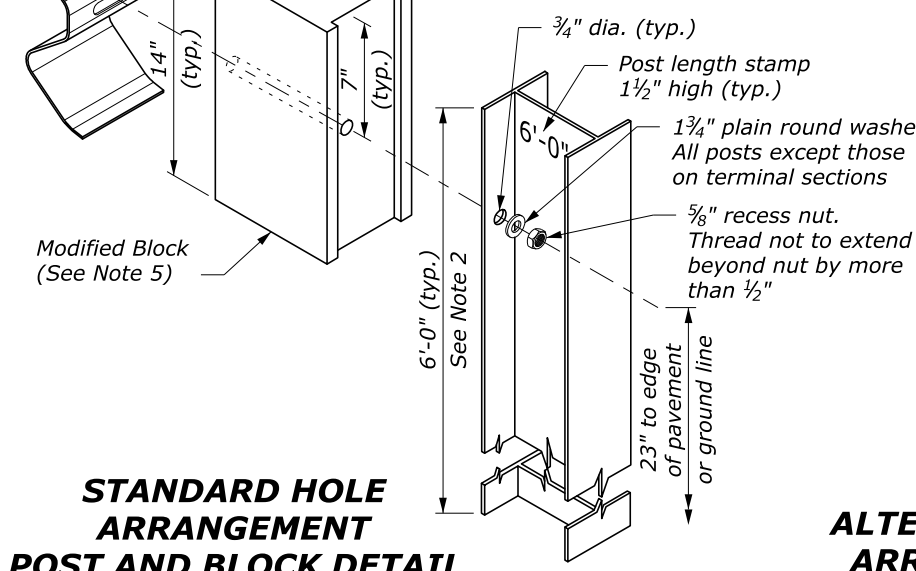
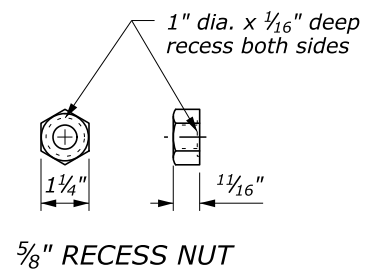


- NOTE:**
1. When encountering impenetrable material, see ET Details 617-13 or 617-24.
 2. See Special Contract Requirements when 7 foot or longer posts are specified.
 3. See Special Contract Requirements when the alternative hole arrangement is specified.
 4. Install reflector tab between post bolt and rail, every fourth post. Alternate reflector tab shapes are acceptable.
 5. Modified block may be wood, plastic, or composite material. Use consistent material throughout the length of guardrail run.
 6. Dimensional tolerances not shown or implied are intended to be those consistent with the proper functioning of the part, including its appearance, and accepted manufacturing practices.



L	Thread Length
1 1/4"	1 1/8" minimum
2"	1 3/4" minimum
10"	4" minimum
18"	4" minimum
25"	4" minimum



STRUCTURAL SHAPE POST (STANDARD HOLE ARRANGEMENT)
 SIDE FRONT
 Length See Note 2

U.S. DEPARTMENT OF TRANSPORTATION
 FEDERAL HIGHWAY ADMINISTRATION
 EASTERN FEDERAL LANDS HIGHWAY DIVISION

U.S. CUSTOMARY DETAIL

GA W-BEAM GUARDRAIL STEEL POSTS

STANDARD APPROVED FOR USE 1/1994
 REVISIONS: 4/1994 6/2005 10/2013 4/2016

DETAIL
 ET 617-11

29-Apr-2016 10:45 AM M:\Standards_and_Details\EF\LD_Detail\Drawings\FP-4\Updates ET Details 4-2016\Std617-11.dgn

NO SCALE