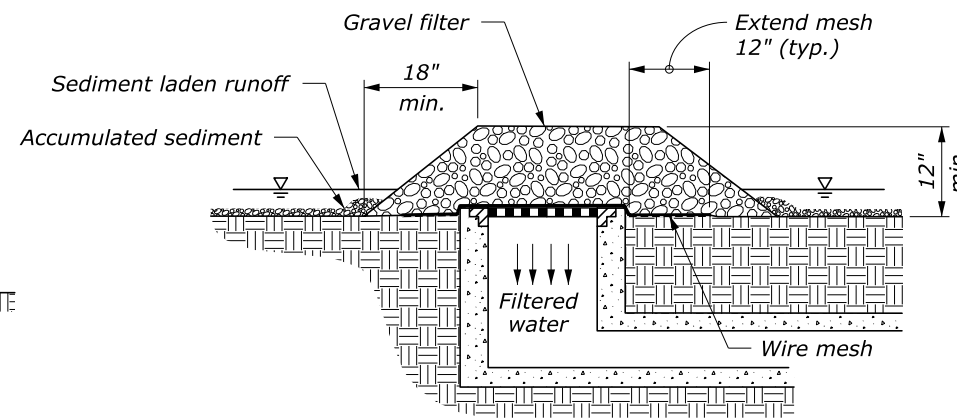


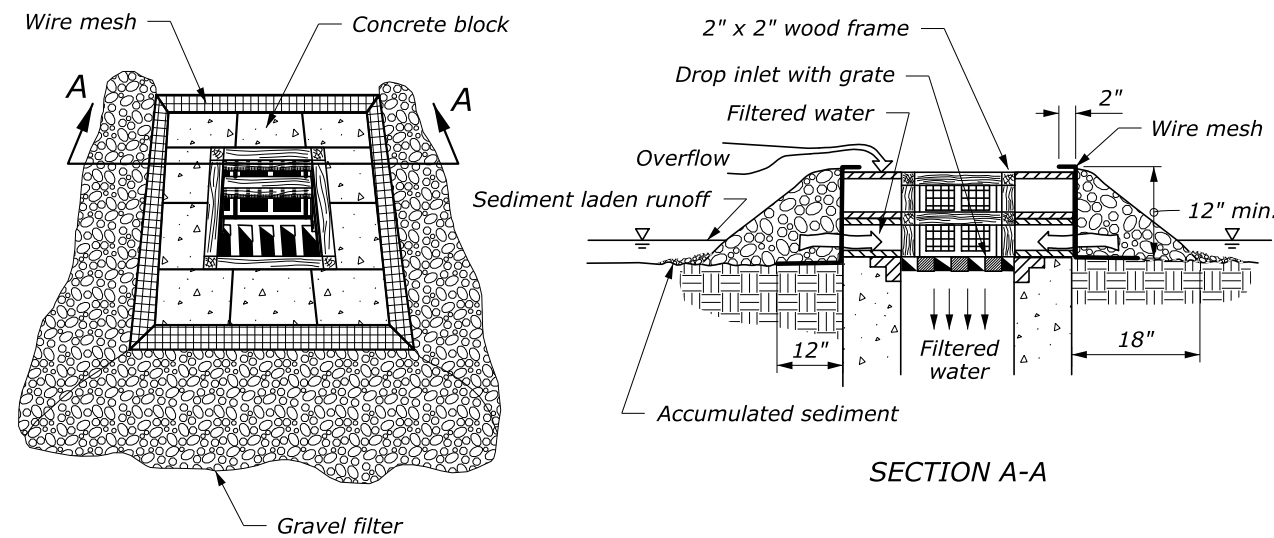
SILT FENCE DROP INLET PROTECTION (TYPE A)



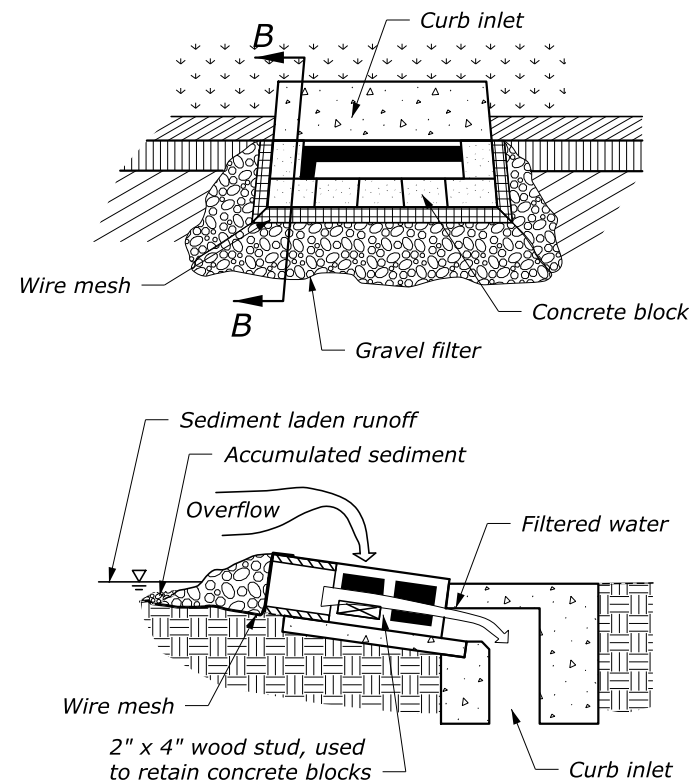
GRAVEL AND WIRE MESH DROP INLET PROTECTION (TYPE B)

NOTE:

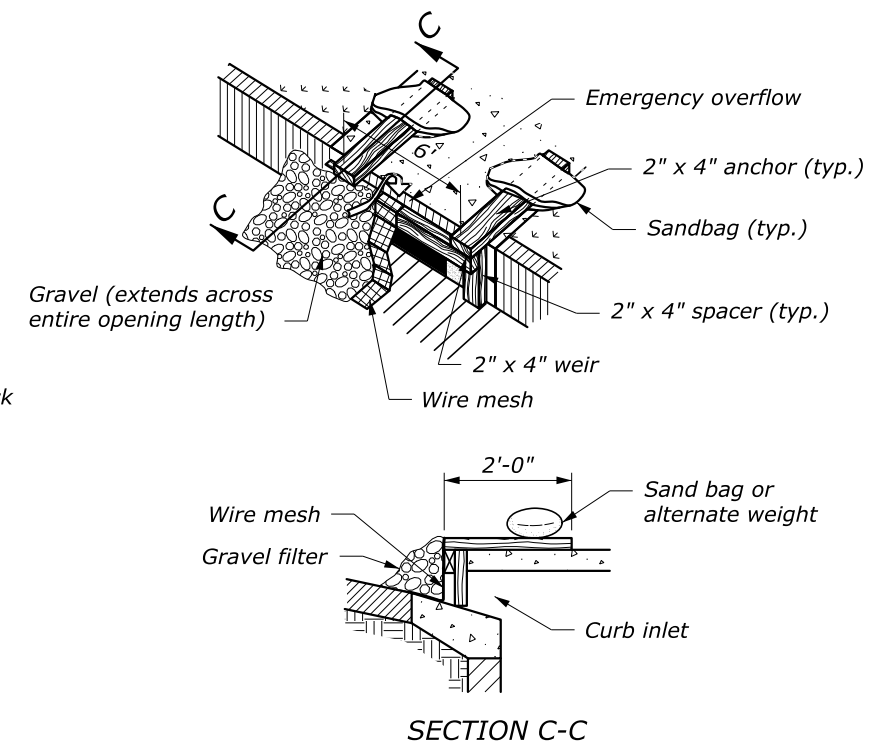
1. For gravel filters use 2"- 3" diameter coarse aggregate.
2. Use wire mesh with 1/2" x 1/2" openings.
3. Use type A inlet protection in sump locations only.
4. Use type B inlet protection only in sump locations where heavy concentrated flows are not expected. Do not use where ponding around the structure might cause inconvenience or damage.



BLOCK AND GRAVEL DROP INLET PROTECTION (TYPE C)



CURB INLET PROTECTION, BLOCK AND GRAVEL (TYPE D)



CURB INLET PROTECTION, WOODEN WEIR (TYPE E)

I:\Mar-2016 12:25 PM M:\Standards_and_Details\EF\LD_Details\Drawings\FP-A\Updates ET_Details 3-2016\157-2_EFL_TEMP.dgn

U.S. DEPARTMENT OF TRANSPORTATION FEDERAL HIGHWAY ADMINISTRATION EASTERN FEDERAL LANDS HIGHWAY DIVISION	
U.S. CUSTOMARY DETAIL	
TEMPORARY INLET PROTECTION	
STANDARD APPROVED FOR USE 6/2005	DETAIL
REVISED: 3/2014 3/2016	ET 157-2

NO SCALE