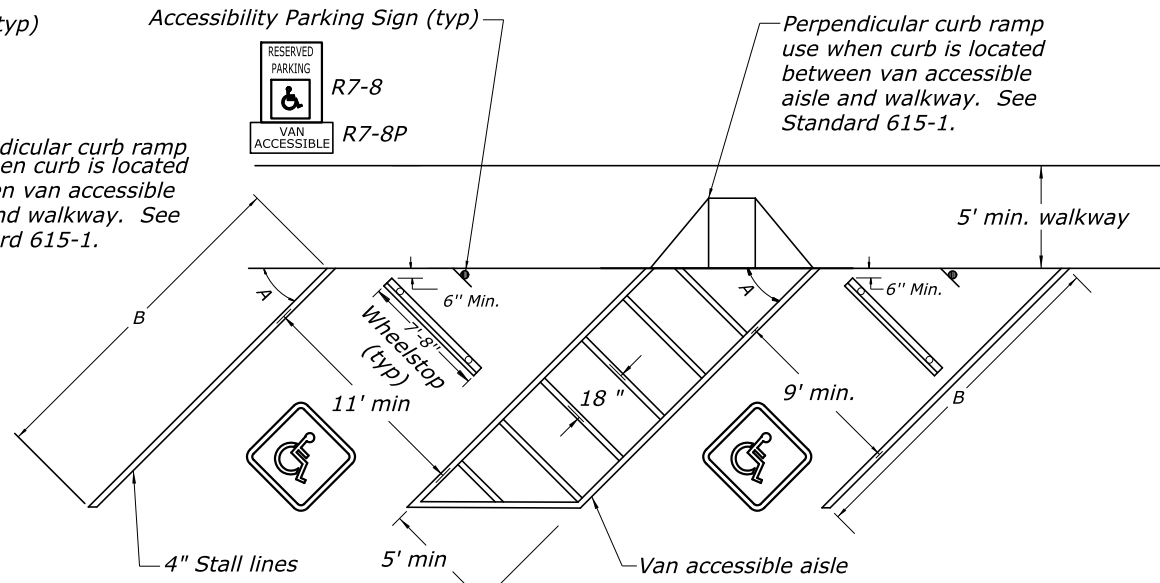
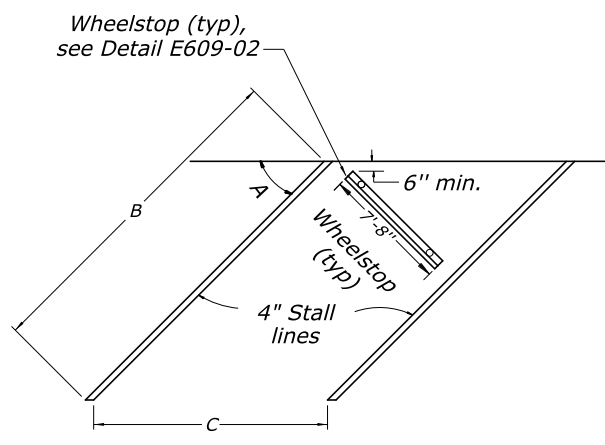


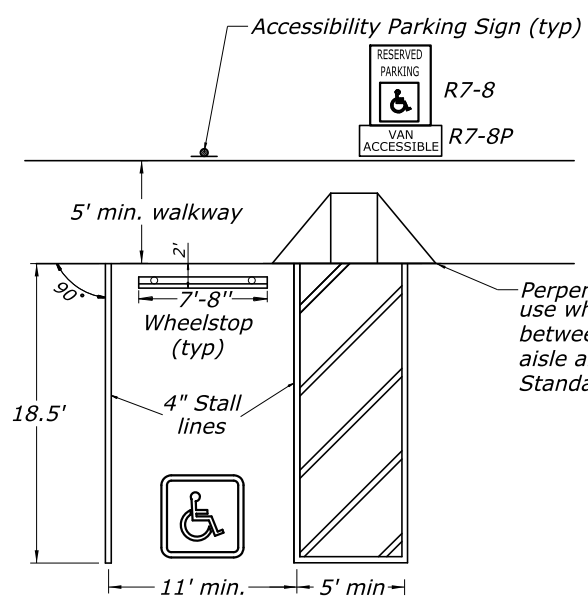
**SINGLE PARKING SPACE
ANGULAR PARKING
WITH VAN ACCESSIBLE AISLE**



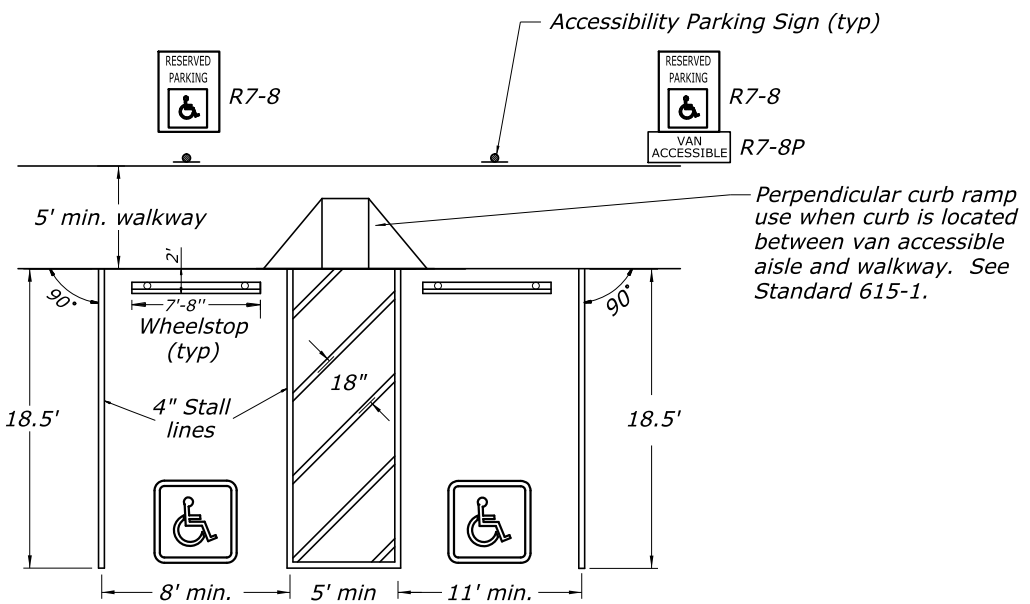
**DOUBLE PARKING SPACE
ANGULAR PARKING
WITH VAN ACCESSIBLE AISLE**



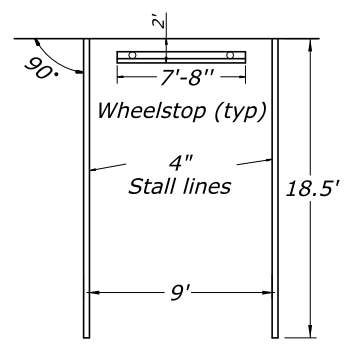
ANGULAR PARKING



**SINGLE PARKING SPACE
HEAD-ON PARKING
WITH VAN ACCESSIBLE SPACE**



**DOUBLE PARKING SPACE
HEAD-ON PARKING WITH
SINGLE VAN ACCESSIBLE SPACE**



HEAD-ON PARKING

CHART A
Required Accessible Spaces in Parking Areas*

Total Parking Spaces in Parking Area	Required Minimum Number of Accessible Spaces
1 to 25	1
26 to 50	2
51 to 75	3
76 to 100	4
101 to 150	5
151 to 200	6
201 to 300	7
301 to 400	8
401 to 500	9
501 to 1,000	2 percent of total
over 1,000	20 plus 1 for each 100

* Chart based on "2004 ADA/ABA Accessibility Guidelines".
* Van Parking Spaces. For every six or fraction of six parking spaces required, at least one shall be a van accessible space.

CHART B
Parking Layout Dimensions for 9-ft. wide stalls*

Angle A	45°	60°	75°	90°
Minimum Length of stall B	25'	22'	20'	18.5'
Stall width, C, parallel to aisle	12.7'	10.4'	9.3'	9.0'

* Chart based on dimensions recommended in "Parking Principles".

08-Sep-2015 08:54 AM M:\Standards_and_Details\EFLHD_Detail\Drawings\FP-A\stds\405_detail.dgn

NO SCALE

U.S. DEPARTMENT OF TRANSPORTATION
FEDERAL HIGHWAY ADMINISTRATION
EASTERN FEDERAL LANDS HIGHWAY DIVISION

U.S. CUSTOMARY DETAIL

**PAVEMENT MARKINGS
IN PARKING AREAS**

DETAIL APPROVED FOR USE	DETAIL
APPROVED : MAY 2011 REVISED : AUGUST 2015	E634-05