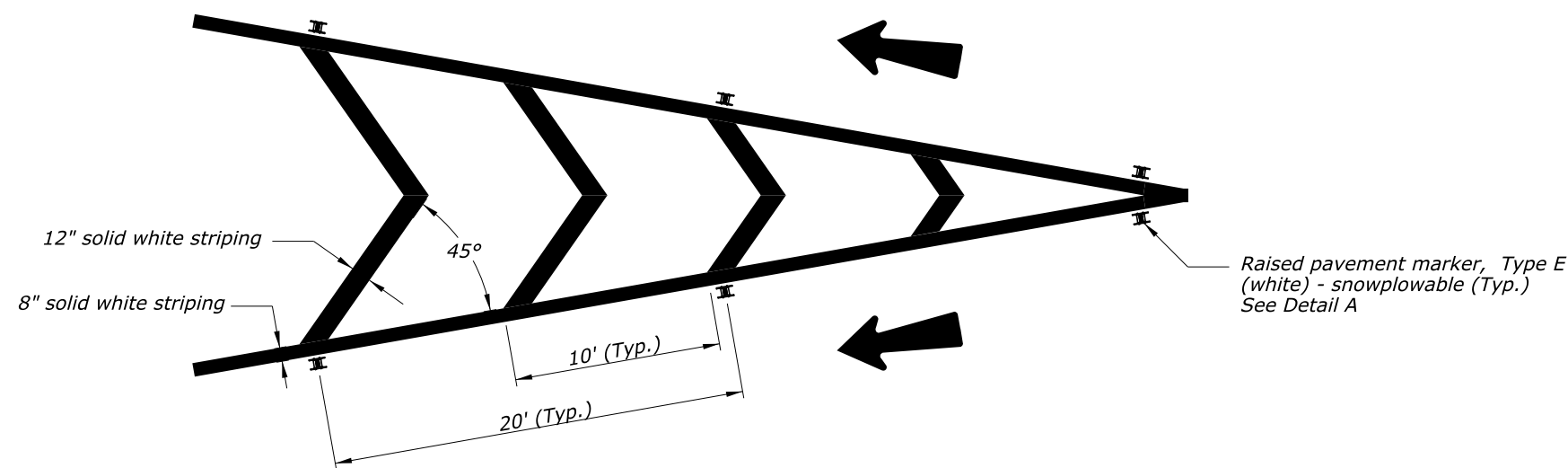
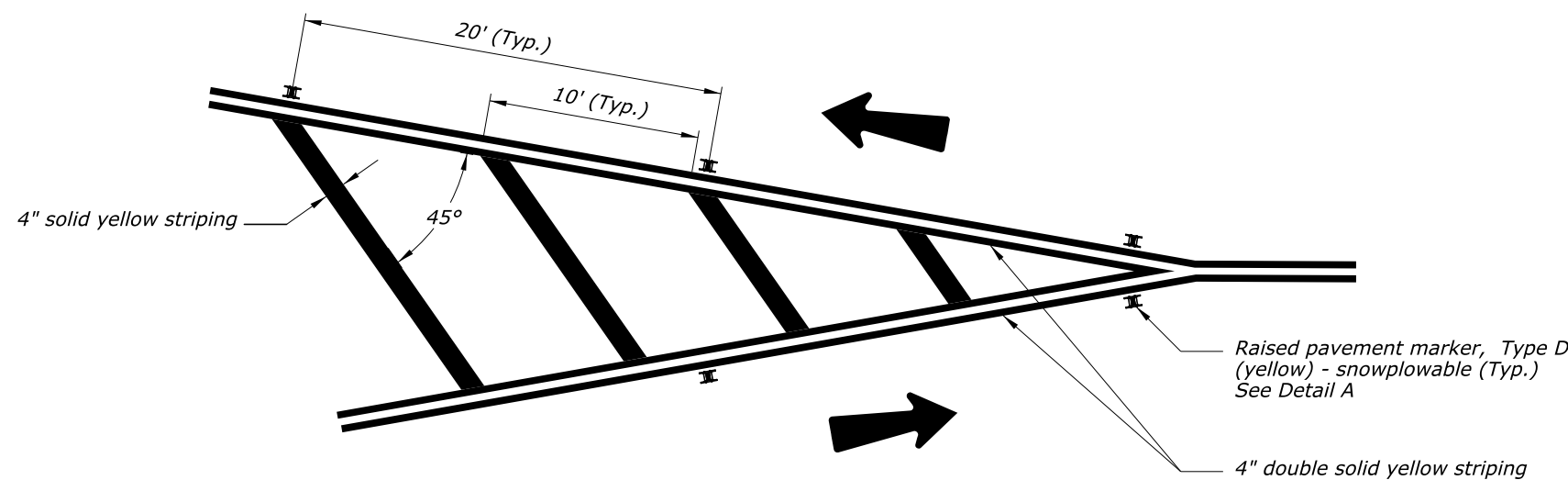


ONE-WAY TRAFFIC -- LANE SHIFT



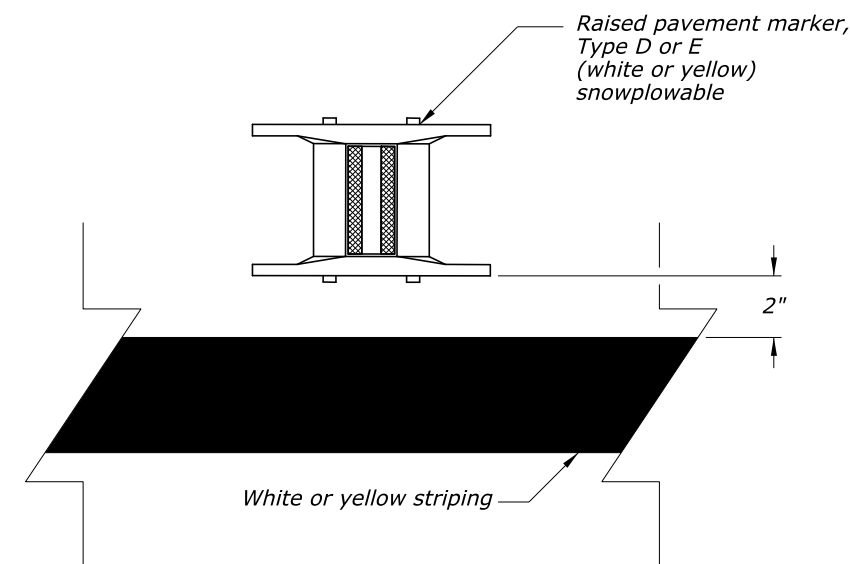
ONE-WAY TWO-LANE TRAFFIC -- LANES SEPARATE



TWO-WAY TWO-LANE TRAFFIC -- LANES SEPARATE

NOTES:

1. Install striping in accordance with the Manual on Uniform Traffic Control Devices (MUTCD), Latest Edition.
2. When raised pavement markers are required, see Detail E634-02.



DETAIL A

NO SCALE

U.S. DEPARTMENT OF TRANSPORTATION FEDERAL HIGHWAY ADMINISTRATION EASTERN FEDERAL LANDS HIGHWAY DIVISION	
U.S. CUSTOMARY DETAIL	
PAVEMENT MARKERS IN NEUTRAL AREAS WITH RAISED PAVEMENT MARKERS	
DETAIL APPROVED FOR USE	DETAIL
APPROVED: MAY 2011 REVISED: MARCH 2015	E634-04