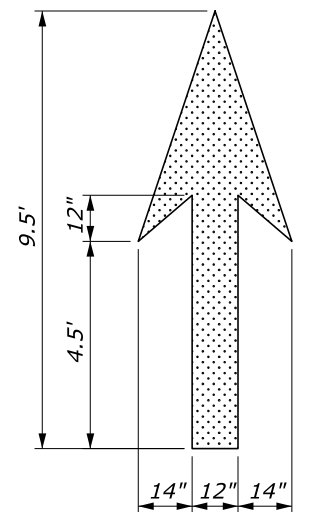
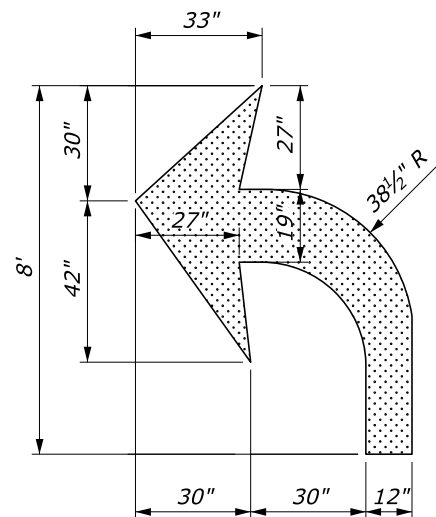


NOTES:

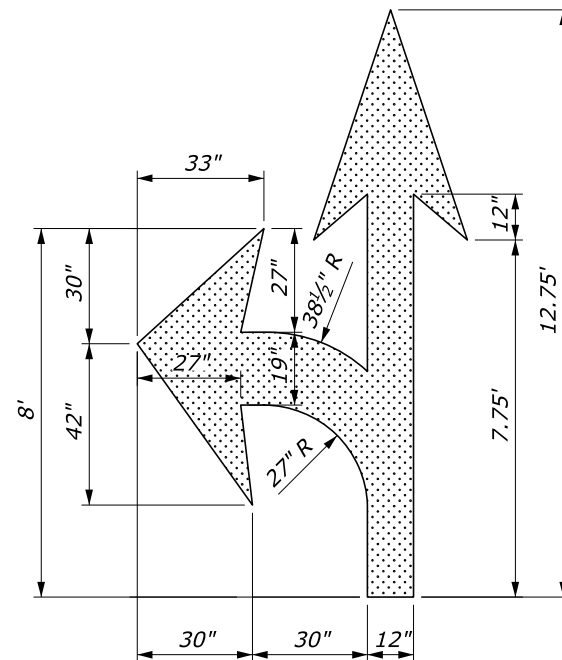
1. Place pavement word and symbol markings in accordance with the "Manual on Uniform Traffic Control Devices" (MUTCD), current edition.
2. Place all letters, numerals and symbols according to the "Standard Highway Signs", current edition.
3. The Accessibility Parking Space Marking includes the accessibility symbol only, unless a border is specified in the Striping Plans.



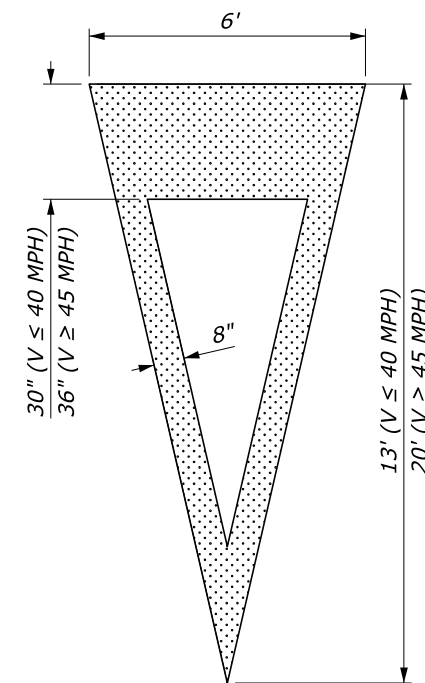
THROUGH LANE-USE ARROW



TURN LANE-USE ARROW

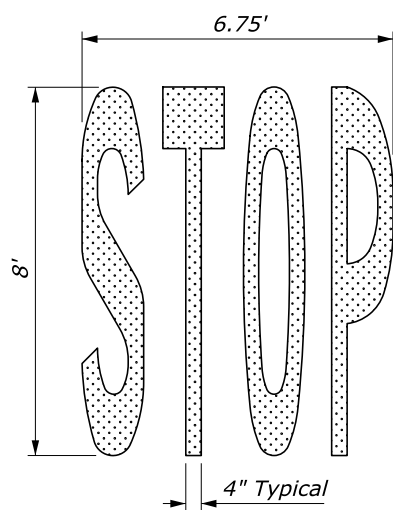


TURN AND THROUGH LANE-USE ARROW

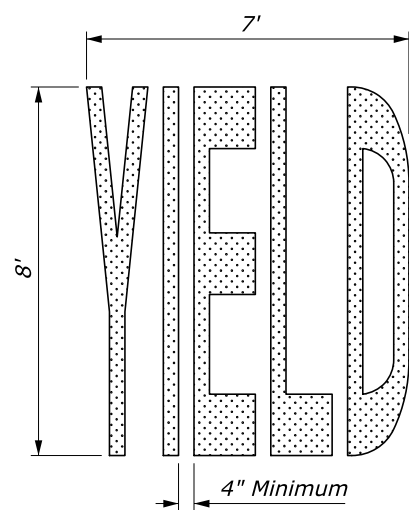


YIELD AHEAD TRIANGLE SYMBOL

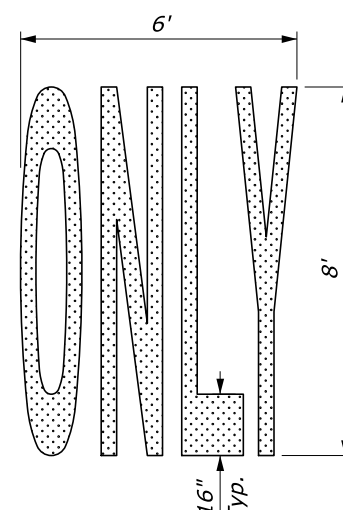
PAVEMENT MARKING AREAS	
TYPE	SQFT
Through Lane-Use Arrow	12
Turn Lane-Use Arrow	16
Turn and Through Lane-Use Arrow	26
Yield Ahead Arrow (V < 45 mph)	26
Yield Ahead Arrow (V ≥ 45 mph)	37
Accessibility Marking (symbol only)	2
Accessibility Marking w/ border (White)	5
Accessibility Marking w/ border (Blue)	9
AHEAD Word Marking	30
ONLY Word Marking	21
SCHOOL Word Marking	33
STOP Word Marking	22
YIELD Word Marking	24



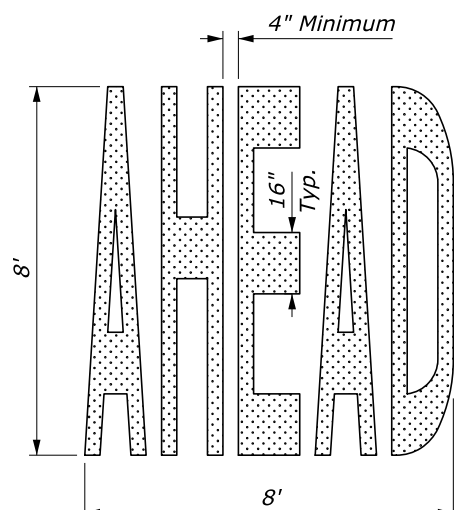
"STOP" WORD MARKING



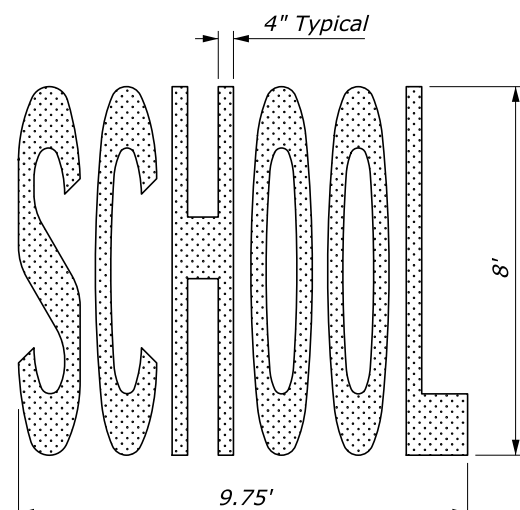
"YIELD" WORD MARKING



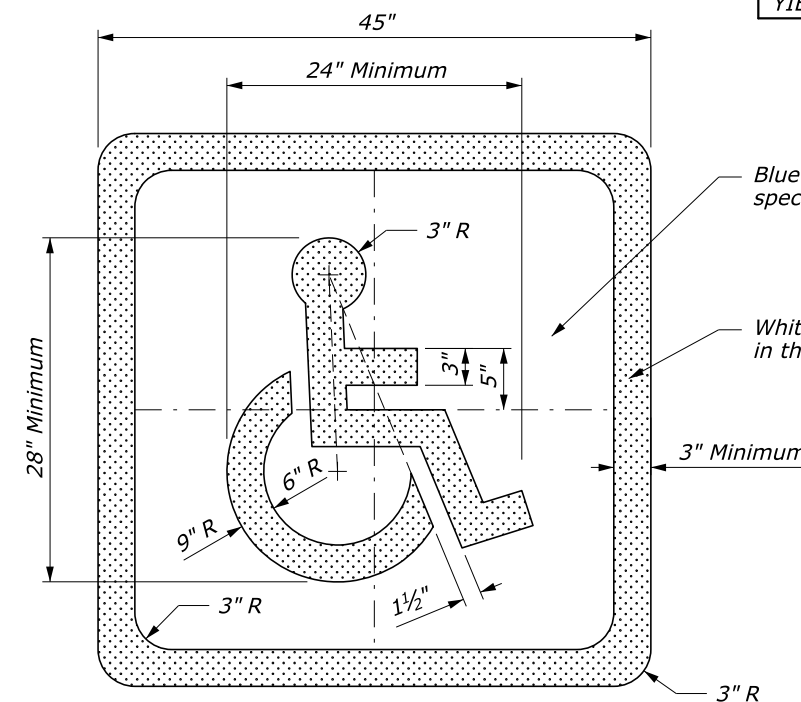
"ONLY" WORD MARKING



"AHEAD" WORD MARKING



"SCHOOL" WORD MARKING



ACCESSIBILITY PARKING SPACE SYMBOL

NO SCALE

U.S. DEPARTMENT OF TRANSPORTATION
FEDERAL HIGHWAY ADMINISTRATION
EASTERN FEDERAL LANDS HIGHWAY DIVISION

U.S. CUSTOMARY DETAIL

**PAVEMENT MARKINGS
SYMBOLS AND WORDS**

DETAIL APPROVED FOR USE

APPROVED : MAY 2011
REVISED : MARCH 2015

DETAIL
E634-01