

STEEL POST FOOTING DATA TABLE

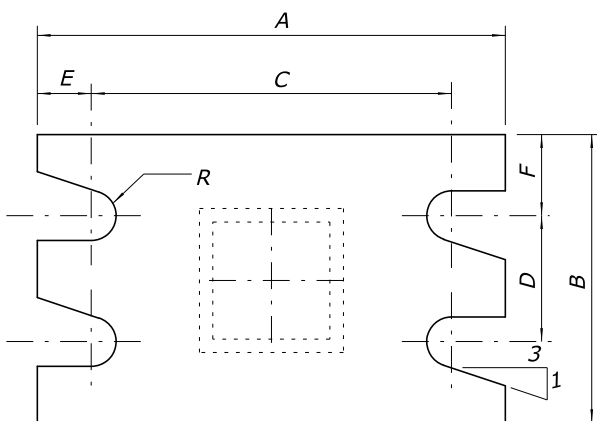
POST SIZE	NOMINAL SIZE (IN.)	STUB		FOOTING	
		PROJ.	LENGTH	DIA.	MINIMUM DEPTH
a	2 X 2	4"	2'	12"	3'
b	3 X 4	4"	2'	15"	3'
c	4 X 6	4"	2'	15"	3'

STEEL POSTS FOR GROUND MOUNTED SIGNS

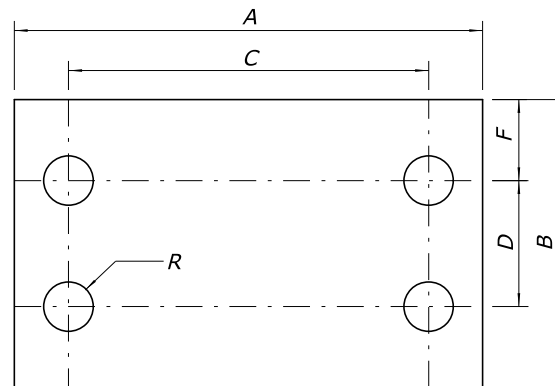
POST SIZE	NOMINAL SIZE (IN.)	BOLT SPECIFICATIONS	BASE CONNECTION DATA TABLE (Inches)											
			A	B	C	D	E	F	t ₁	t ₂	w	R		
a	2 X 2	5/8"Ø X 2 1/2" HS 450 IN. - LBS.	6 1/2	4	5	1 3/4	3/4	1 1/8	5/8	3/16	3/16	11/16		
b	3 X 4		8 1/2	4	7	1 3/4	3/4	1 1/8	5/8	3/16	1/4	11/16		
c	4 X 6	5/8"Ø X 3" HS 450 IN - LB	10	5	8 1/2	2 1/2	3/4	1 1/4	3/4	1/4	5/16	11/16		

FUSE PLATE DATA TABLE (Inches)

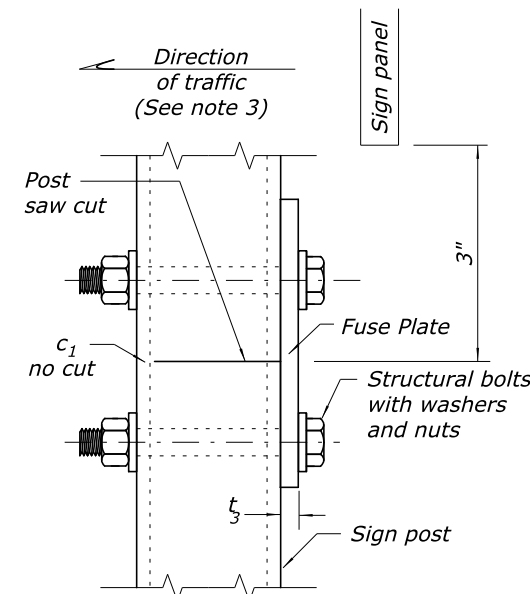
POST SIZE	G	H	J	K	L	M	N	d ₁	t ₂	c ₁	BOLT DIAM.	TORQUE FT.-LBS.
a	4	2 1/4	1 1/8	2	7/8	9/16	5/8	7/16	1/4	1/4	3/8	200
b	4	2 1/4	1 1/8	3	1 1/4	7/8	5/8	9/16	5/16	1/4	1/2	200
c	4 1/2	2 3/8	1 1/4	4	1 3/4	1 1/8	7/8	1 1/16	3/8	3/8	5/8	200



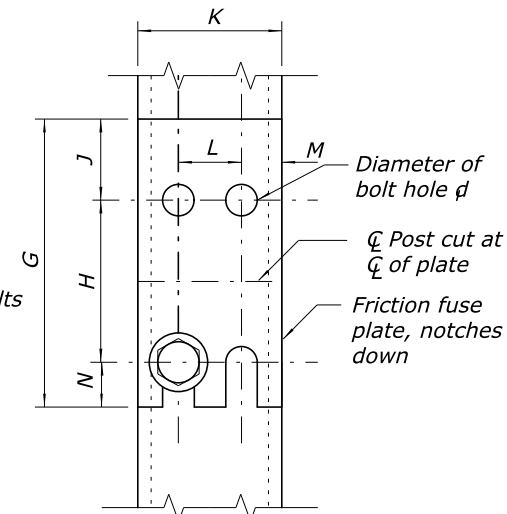
**SECTION A-A
BREAKAWAY PLATE**



BOND BREAKING PLATE



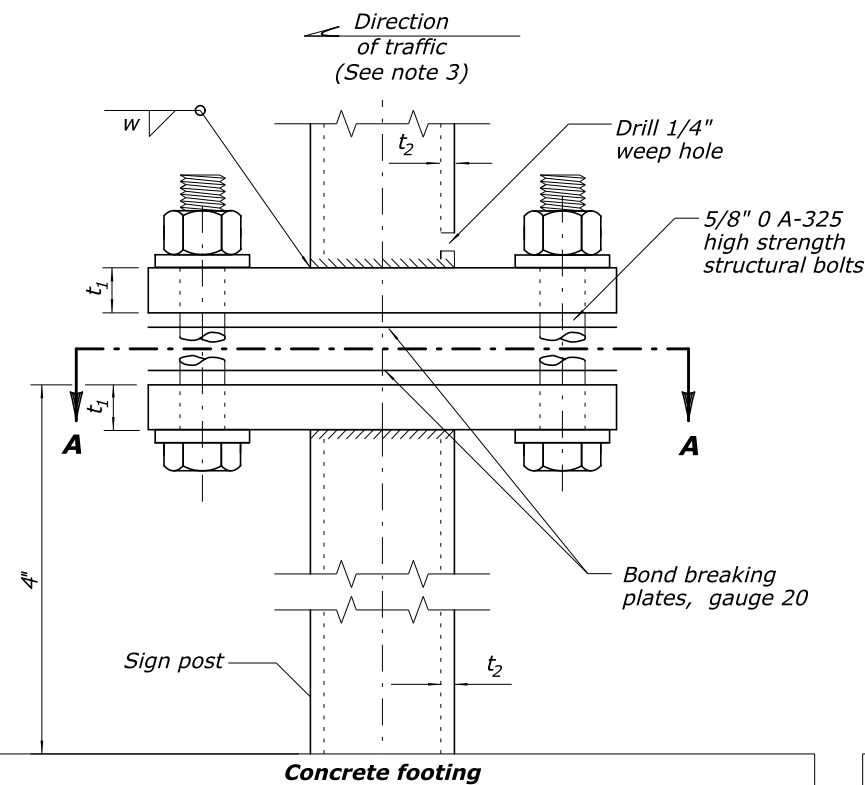
SIDE ELEVATION



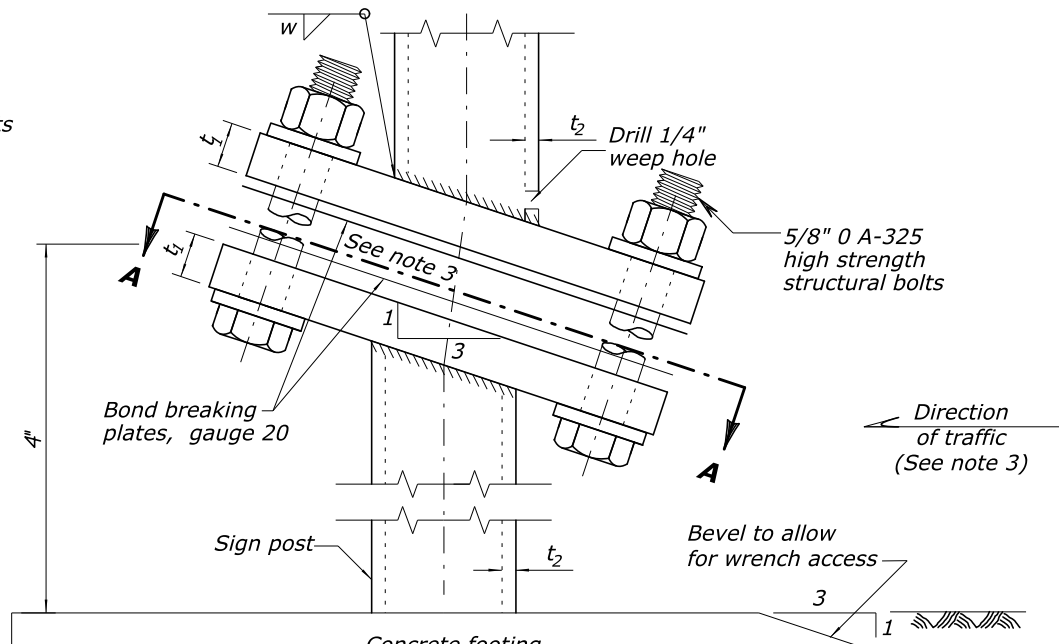
**FRONT ELEVATION
(See Note 5)**

NOTES :

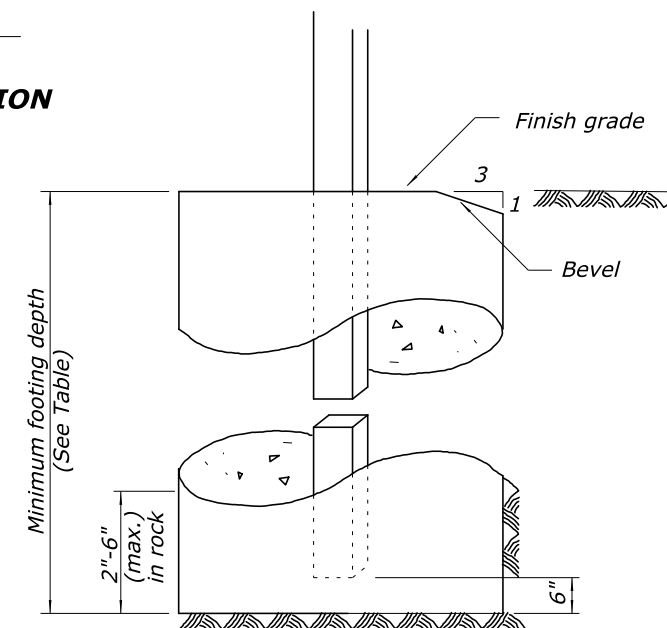
1. Breakaway design is not required for signs placed behind protective barriers.
2. Install breakaway assembly in the direction of major traffic.
3. Use the Multiple Post Breakaway detail on single posts where exposed to opposing lanes of traffic.
4. Use fuse plates on multiple post installations only.
5. Use galvanized steel in breakaway plates, bond breaking plates, fastening structural bolts with nuts and washers. Paint brown to match the appearance of the weathering steel posts.



**SIDE ELEVATION
(See Note 4)
MULTIPLE POST
(See Note 5)**



**SIDE ELEVATION
SINGLE POST
(See Note 5)**



CONCRETE FOOTING DETAILS

U.S. DEPARTMENT OF TRANSPORTATION
FEDERAL HIGHWAY ADMINISTRATION
EASTERN FEDERAL LANDS HIGHWAY DIVISION

U.S. CUSTOMARY DETAIL

**BREAKAWAY SIGN SUPPORT,
WEATHERING STEEL**

DETAIL APPROVED FOR USE

APPROVED : MAY 2011
REVISED : SEPTEMBER 2014

DETAIL
E633-02

NO SCALE