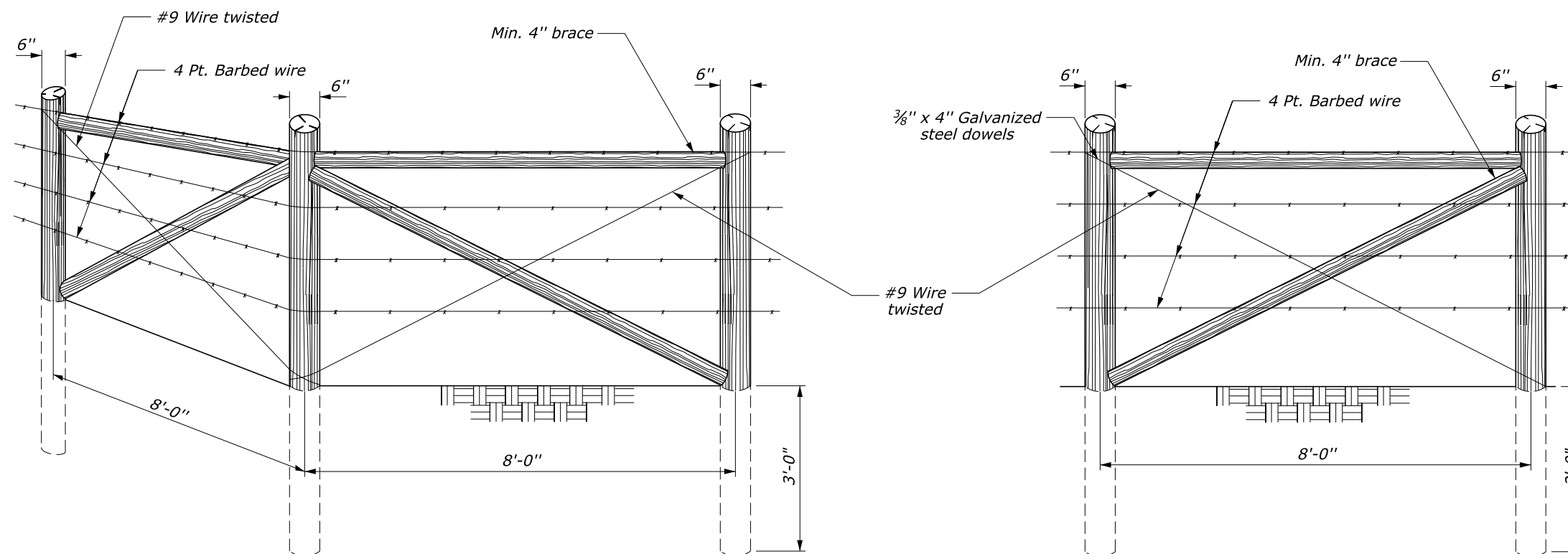


BARBED WIRE FENCE WITH WOOD GATE

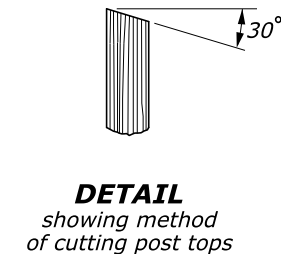
FENCE GROUNDING DETAIL



CORNER BRACE
(To be used when corner is 15° or more)

Place diagonal 4" brace in direction of pull.
Notch posts for the 4" diagonal braces. All diagonal 4" braces to have 2 galvanized 12d nails at each end.

LINE BRACE
(Maximum spacing 500')
Line braces also to be used when vertical alignment changes 15° or more



DETAIL
showing method of cutting post tops

NOTES:

1. Install fence and gates at locations shown on the plans or as staked by the CO.
2. Gate width to be shown on the plans.

U.S. DEPARTMENT OF TRANSPORTATION
FEDERAL HIGHWAY ADMINISTRATION
EASTERN FEDERAL LANDS HIGHWAY DIVISION

U.S. CUSTOMARY DETAIL

**FENCE,
BARBED WIRE**

DETAIL APPROVED FOR USE

DETAIL

APPROVED: MAY 2011
REVISED: SEPTEMBER 2014

E619-02