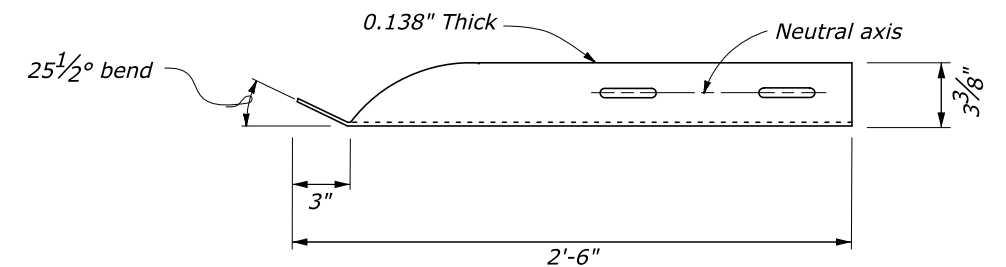


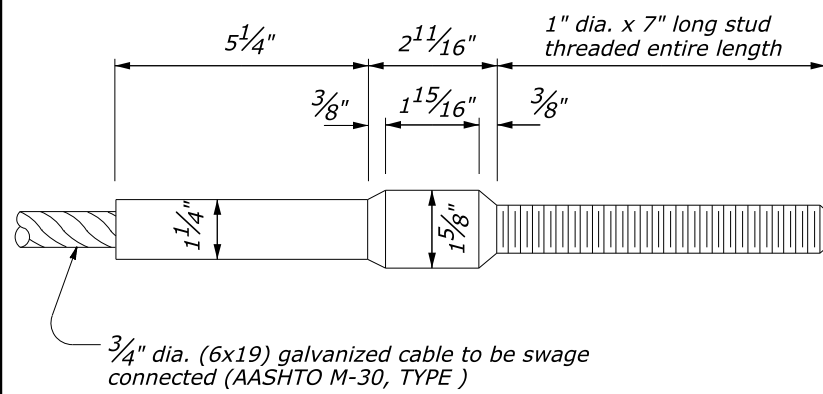
ELEVATION



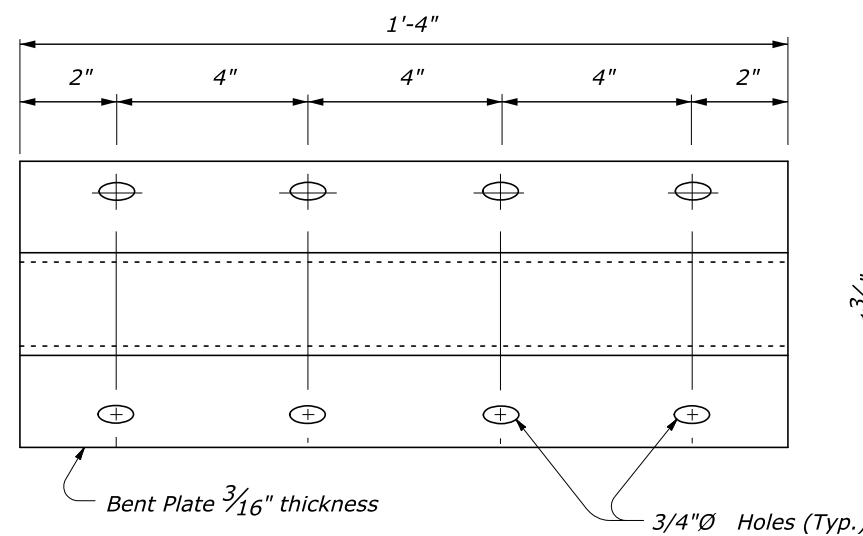
PLAN

**TERMINAL CONNECTOR
ARTBA RE-8-79**

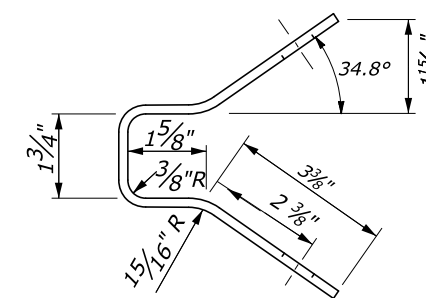
**ANCHOR PLATE DETAILS FOR BCT AND MELT ANCHORAGE ASSEMBLY
ARTBA RE-71-79**



Standard swagged fitting
**CABLE ASSEMBLY
ARTBA F-37-76**



**ANCHOR PLATE
ARTBA RE-71-79**



NO SCALE

U.S. DEPARTMENT OF TRANSPORTATION FEDERAL HIGHWAY ADMINISTRATION EASTERN FEDERAL LANDS HIGHWAY DIVISION	
U.S. CUSTOMARY DETAIL	
G4 W BEAM GUARDRAIL BCT AND MELT ANCHORAGE ASSEMBLY DETAILS	
DETAIL APPROVED FOR USE	DETAIL
APPROVED: MAY 2011 REVISED: SEPTEMBER 2014	E617-13