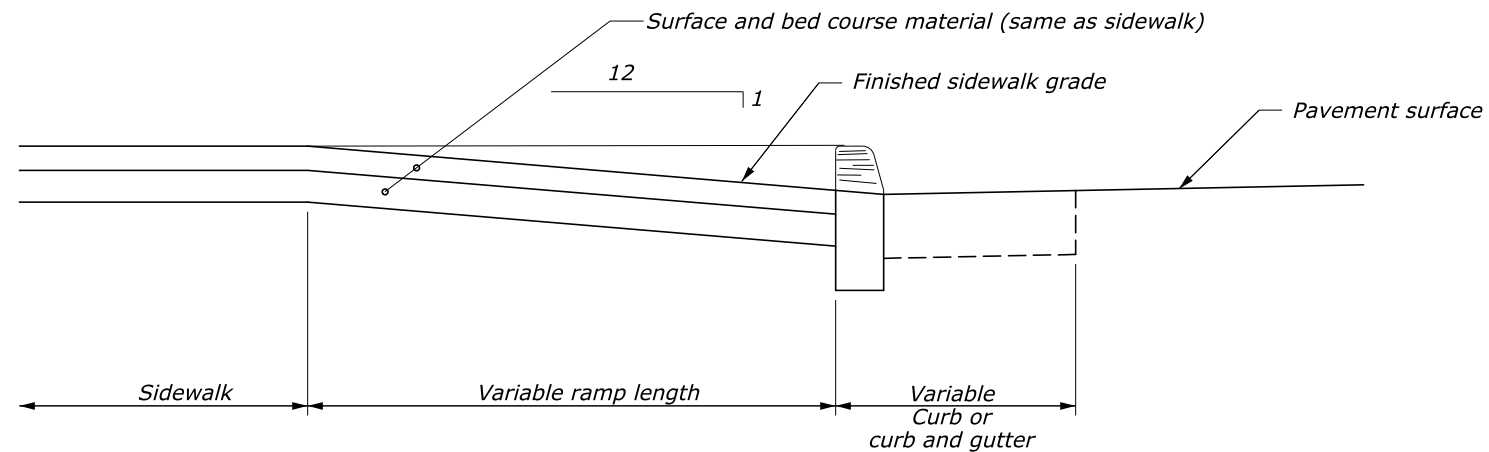
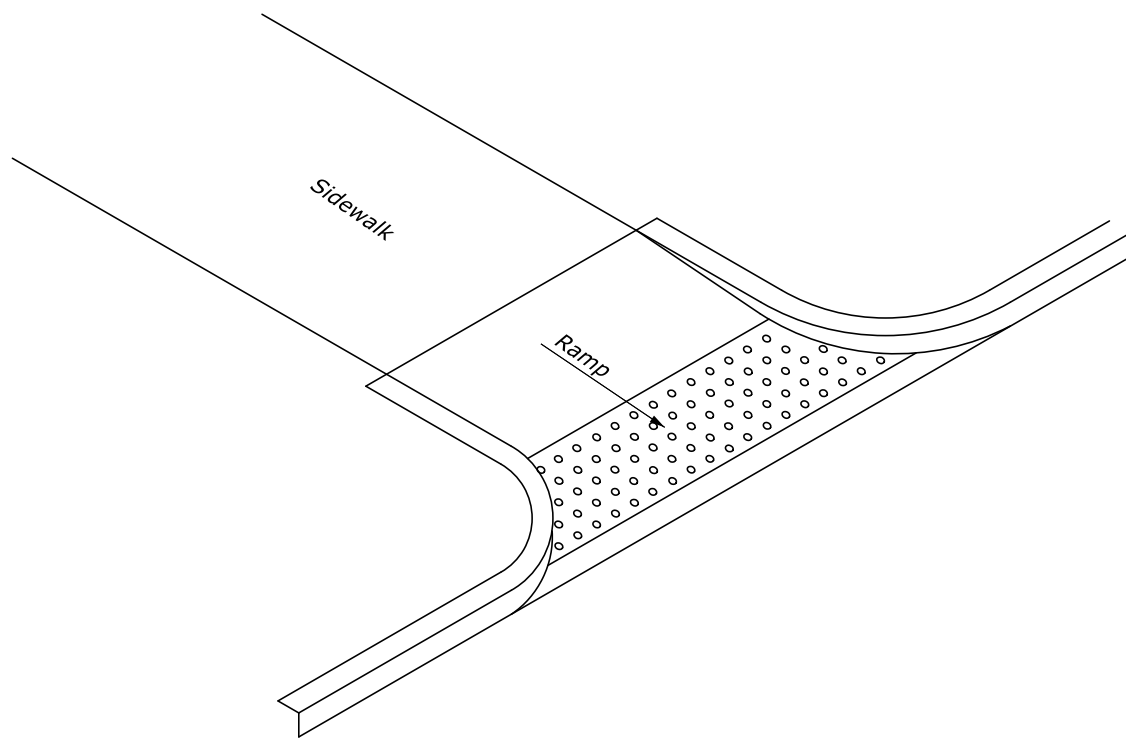


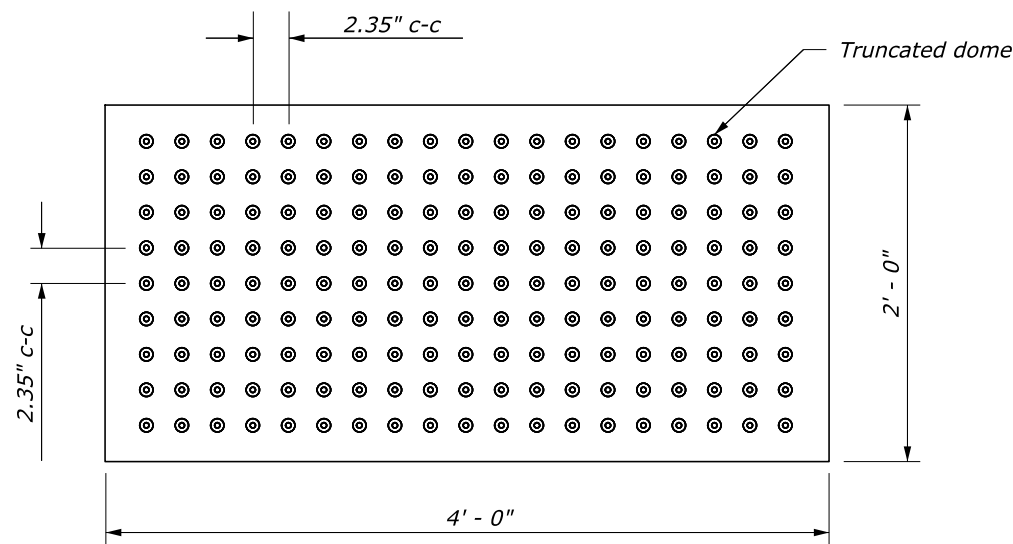
**RAMP - PLAN**



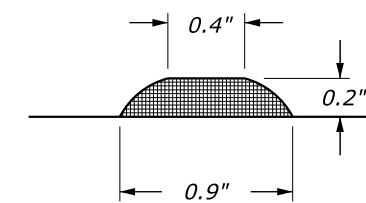
**RAMP - TYPICAL SECTION**



**RAMP - ISOMETRIC**



**DETECTABLE WARNING SURFACE - PLAN**



**TURNCAED DOME - SECTION**

NO SCALE

U.S. DEPARTMENT OF TRANSPORTATION FEDERAL HIGHWAY ADMINISTRATION EASTERN FEDERAL LANDS HIGHWAY DIVISION	
U.S. CUSTOMARY DETAIL	
<b>ACCESSIBILITY RAMP CURB RETURN</b>	
APPROVED : MAY 2011 REVISED: JUNE 2015	DETAIL E615-05