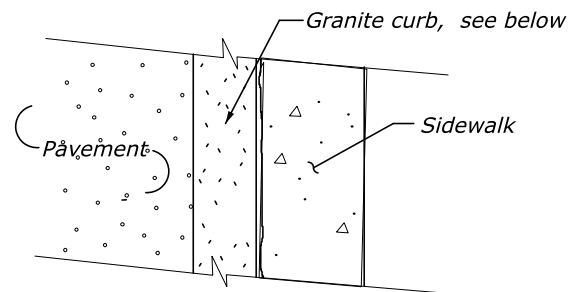


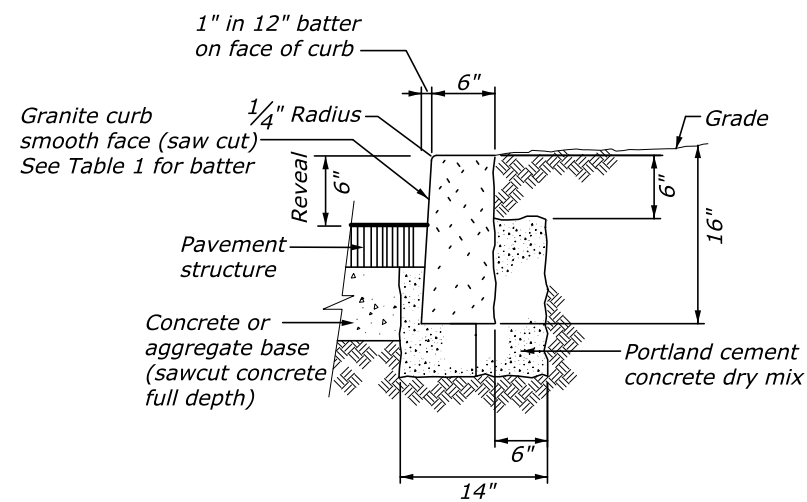
PLAN



PLAN

NOTE:

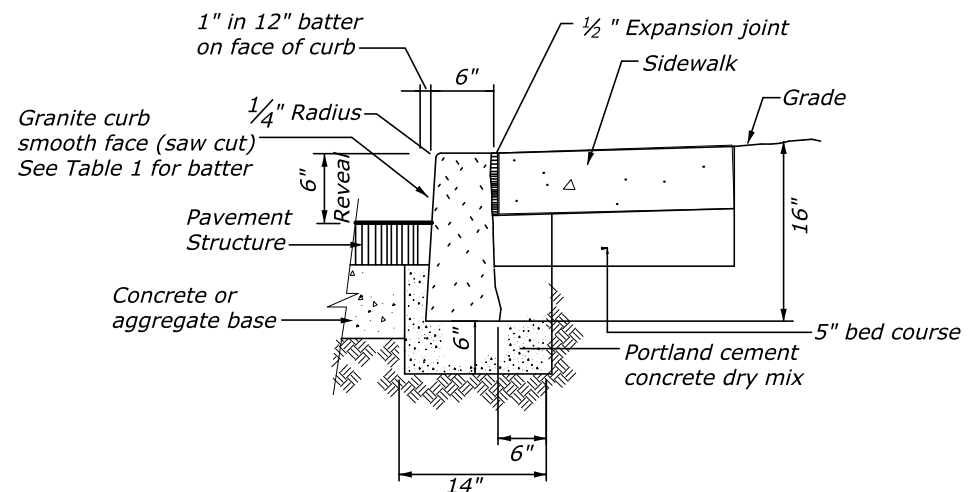
Place transverse expansion joints at intervals of not more than 60 feet for curbs and sidewalks.



SECTION

(WITHOUT SIDEWALK)

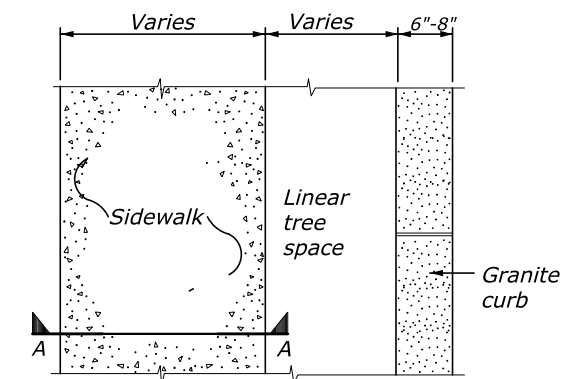
STONE CURB TYPE 1, 16" DEPTH (GRANITE TYPE A OR B)



SECTION

(WITH SIDEWALK)

STONE CURB TYPE 1, 16" DEPTH (GRANITE TYPE A OR B)



PLAN

(WITH SIDEWALK AND LINEAR TREE SPACE)

STONE CURB TYPE 1, 16" DEPTH (GRANITE TYPE A OR B)

TABLE 1

BATTER FOR GRANITE CURB	
TYPE	BATTER (H:V)
A	1:12
B	3/4:10

01-Dec-2014 02:07 PM \$TIME\$ H:\Team_Folders\VIDU\6\FP_14_Detail_Review\ALL_FPI4_Detail_Review\ALL_FPI4_Detail_Review\60903_detail.dgn

U.S. DEPARTMENT OF TRANSPORTATION FEDERAL HIGHWAY ADMINISTRATION EASTERN FEDERAL LANDS HIGHWAY DIVISION	
U.S. CUSTOMARY DETAIL	
GRANITE CURB	
DETAIL APPROVED FOR USE	DETAIL
APPROVED: MAY 2011 REVISED: SEPTEMBER 2014	E609-03