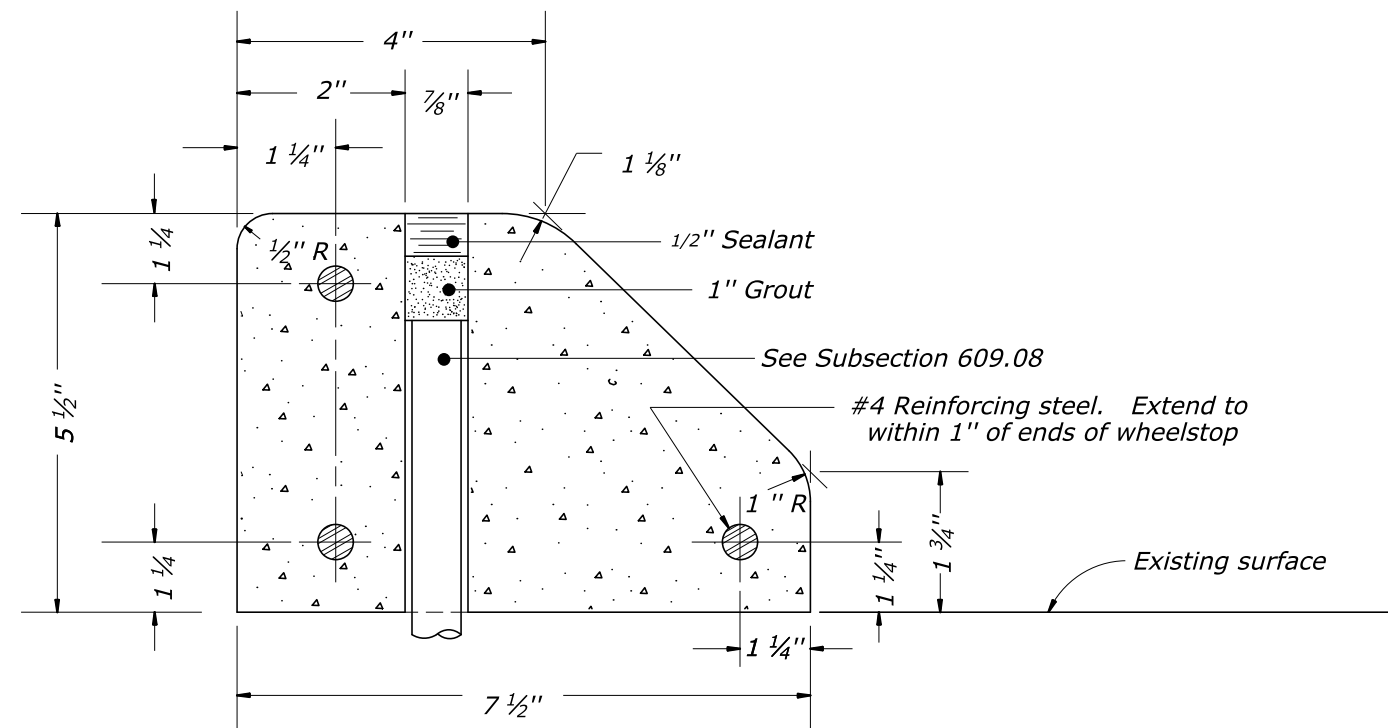
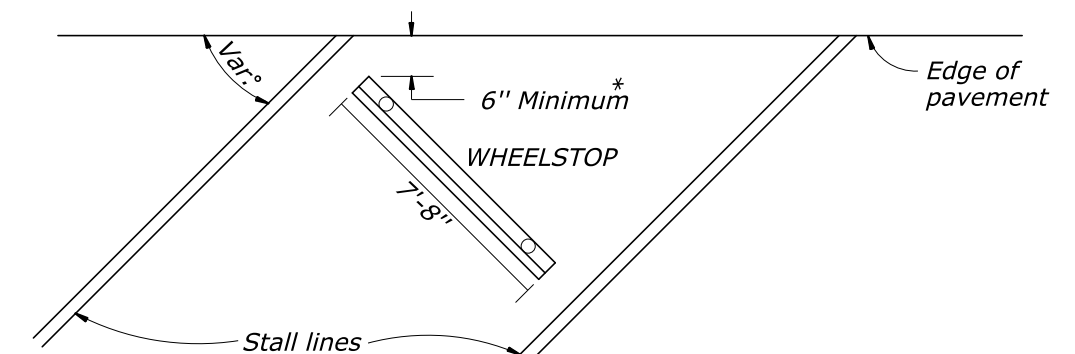


NOTES:

1. Center wheelstops between and perpendicular to stall lines.
2. Variations in wheelstops will be allowed with the approval of the CO to meet manufacturer's standards.

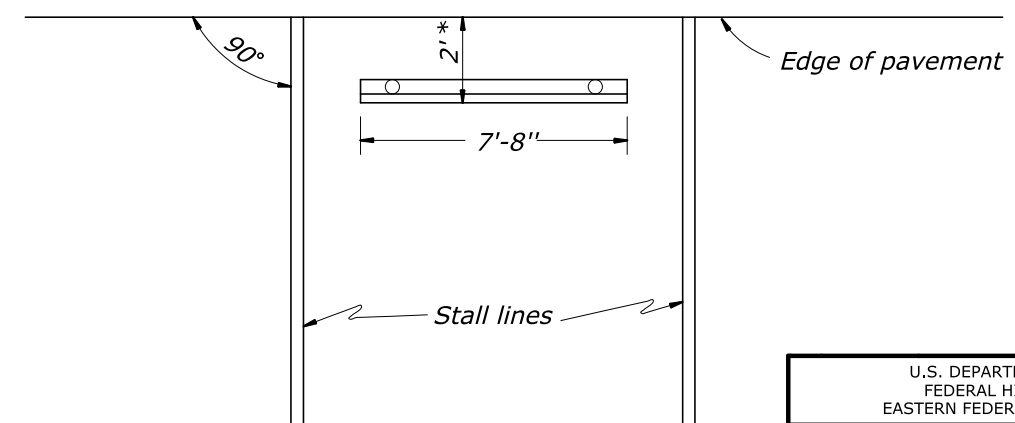


SECTION A-A



ANGULAR PARKING

* Increase distance for walls or other obstructions as directed by the CO.



HEAD-ON PARKING

NOT TO SCALE

U.S. DEPARTMENT OF TRANSPORTATION FEDERAL HIGHWAY ADMINISTRATION EASTERN FEDERAL LANDS HIGHWAY DIVISION	
U.S. CUSTOMARY DETAIL	
CONCRETE WHEELSTOP	
DETAIL APPROVED FOR USE	DETAIL
APPROVED: MAY 2011 REVISED: MARCH 2015	E609-02