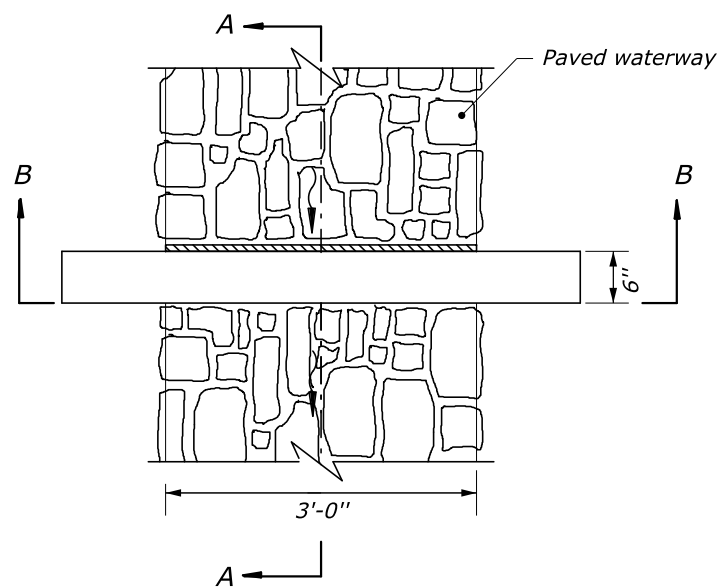


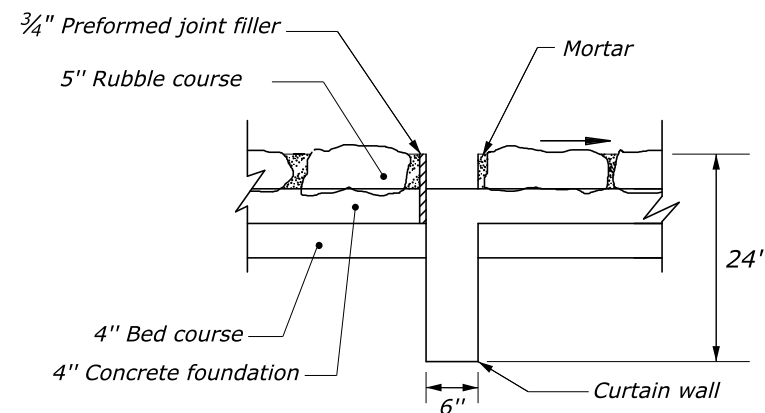
**RUBBLE PAVED WATERWAY**

**NOTES:**

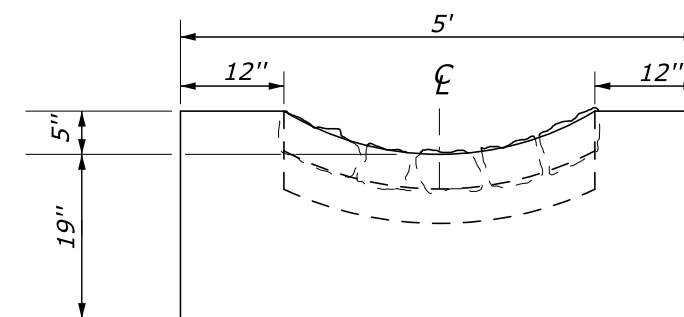
1. The approximate shape of the paved waterway is an arc with a radius of 2.9 feet.
2. At inlets and other special locations, widen and shape paved waterway to drain.
3. For concrete and rubble paved waterway construction only:
  - A. Construct in uniform sections of 20 feet in length, except closure sections are not be less than 5 feet in length. Place expansion joints, with curtain wall at 100 foot intervals.
  - B. At the outlet end of each waterway construct a curtain wall on the downstream end of the last section of waterway.



**PLAN**



**SECTION A-A**



**SECTION B-B**

U.S. DEPARTMENT OF TRANSPORTATION FEDERAL HIGHWAY ADMINISTRATION EASTERN FEDERAL LANDS HIGHWAY DIVISION	
U.S. CUSTOMARY DETAIL <b>PAVED WATERWAY, TYPE 3 (CONCRETE AND RUBBLE)</b>	
DETAIL APPROVED FOR USE	DETAIL
APPROVED: MAY 2011 REVISED: SEPTEMBER 2014	E608-03

NO SCALE