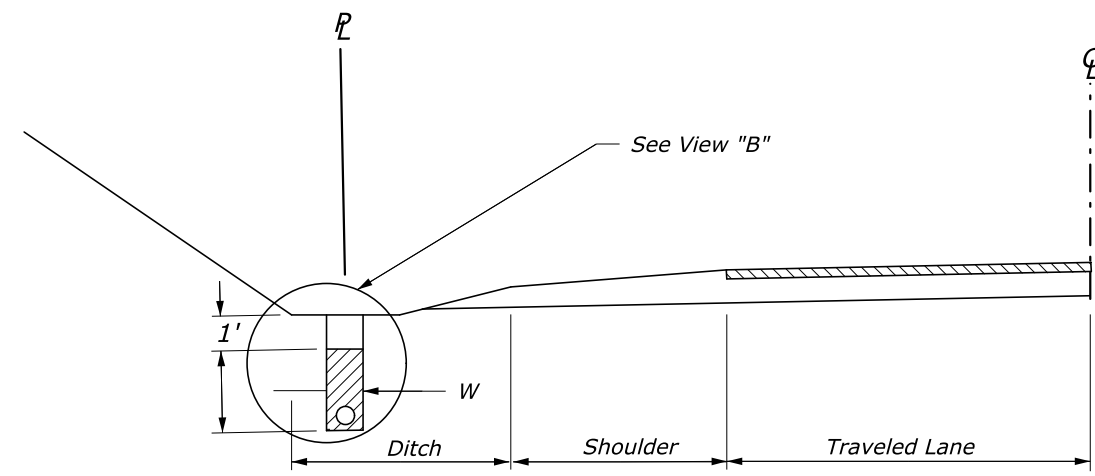
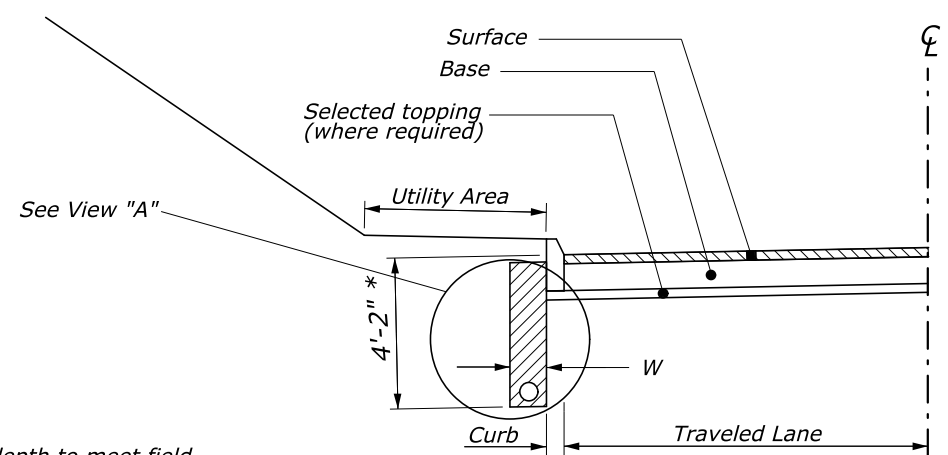


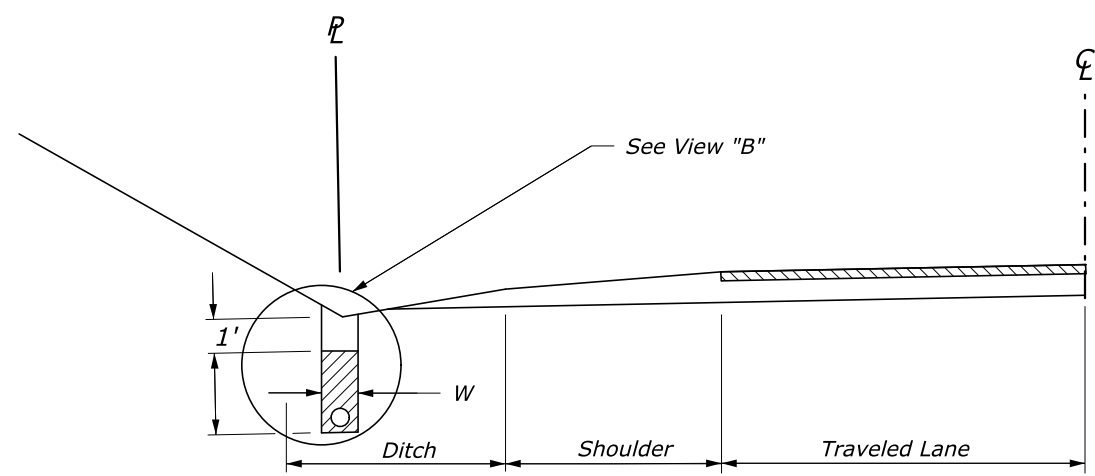
**SHOULDER**



**FLAT BOTTOM DITCH**

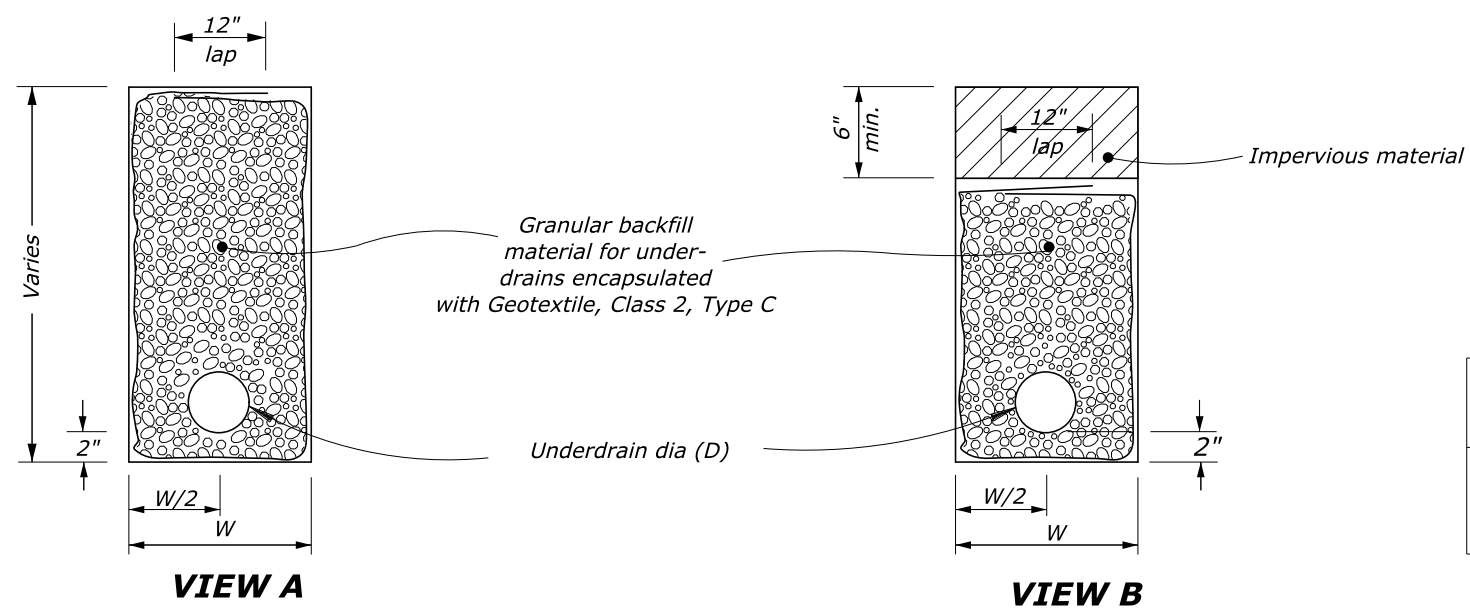


**CURB AND GUTTER**



**VEE DITCH**

\* Adjust depth to meet field conditions



**VIEW A**

**VIEW B**

**NOTES:**

1. Location of pipe underdrains may be adjusted by the CO.
2. Minimum underdrain grade is 0.5 percent.

DIAMETER (D)	MINIMUM WIDTH (W)
4"	12"
6"	15"

01-Dec-2014 01:50 PM \$TIME\$ H:\Team\_Folders\VIDEOS\FP\_14\_Detail\_Review\ALL\_FP14\_Detail\_Review\60501\_detail.dgn

U.S. DEPARTMENT OF TRANSPORTATION FEDERAL HIGHWAY ADMINISTRATION EASTERN FEDERAL LANDS HIGHWAY DIVISION	
U.S. CUSTOMARY DETAIL	
<b>UNDERDRAIN, FOR PAVEMENT AND DITCHES</b>	
DETAIL APPROVED FOR USE	DETAIL
APPROVED : MAY 2011 REVISED : SEPTEMBER 2014	E605-01