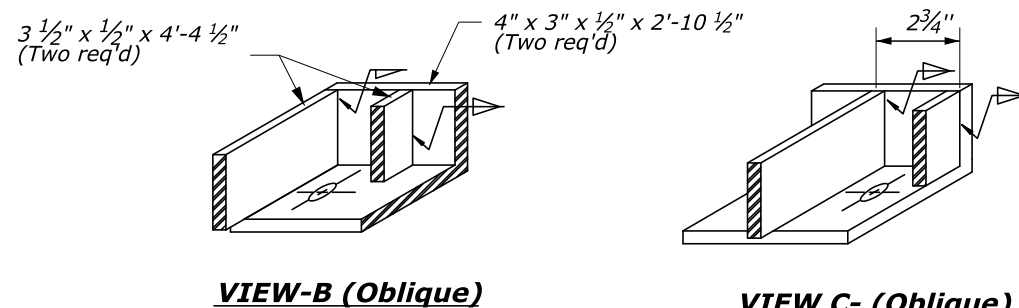
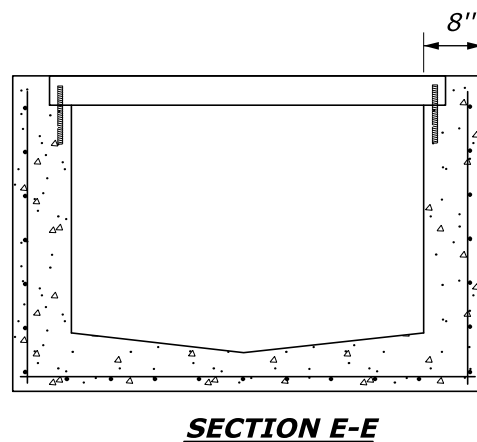
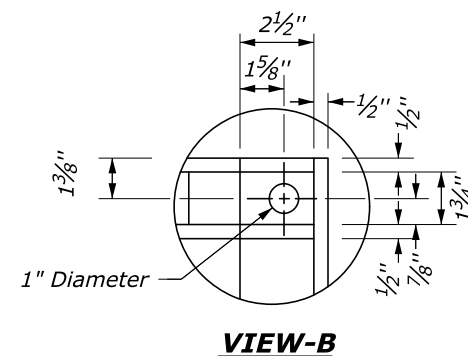
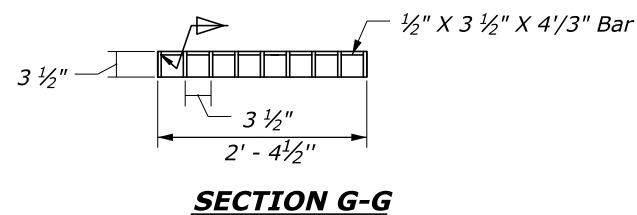
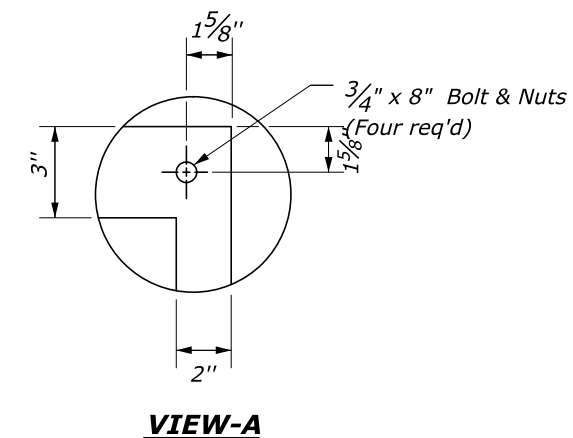
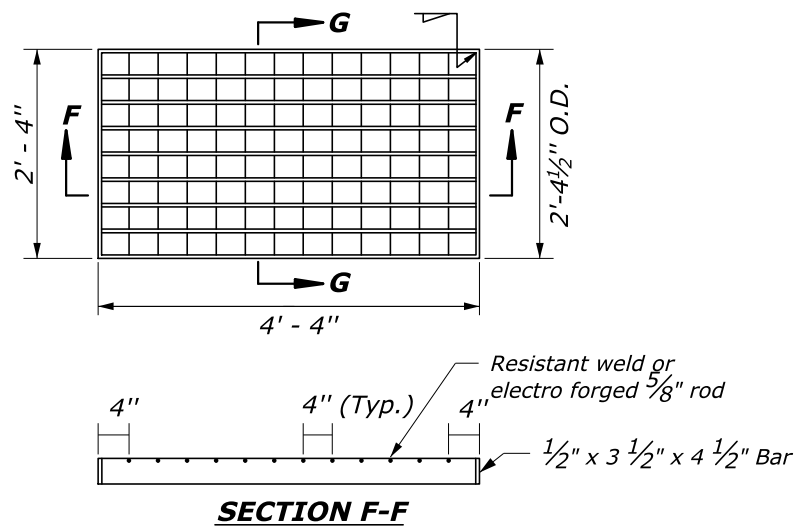
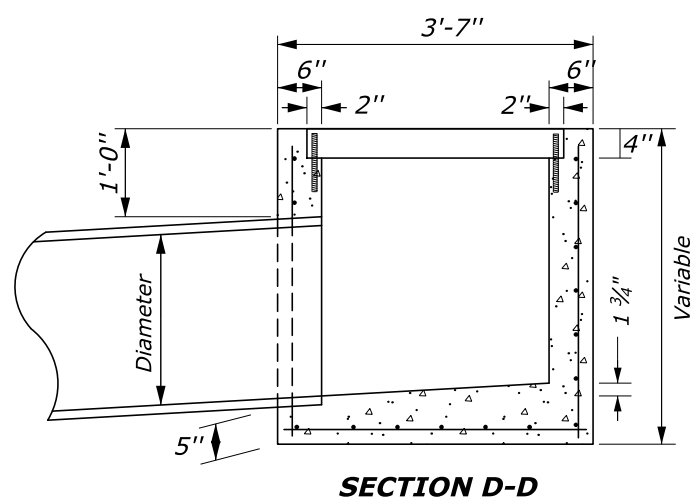


**NOTES:**

1. Furnish #5 reinforcing bars, placed 1 1/2 inches minimum from face of concrete.
2. In floors, place bars on 6-inch centers each way. In walls, place horizontal bars on 6-inch centers and vertical bars on 12-inch centers.
3. Provide metal parts for the frame and grate that are hot dipped galvanized after fabrication. Furnish steel frame and grate.



NO SCALE

U.S. DEPARTMENT OF TRANSPORTATION FEDERAL HIGHWAY ADMINISTRATION EASTERN FEDERAL LANDS HIGHWAY DIVISION	
U.S. CUSTOMARY DETAIL	
<b>INLET TYPE 5B</b>	
DETAIL APPROVED FOR USE	DETAIL
APPROVED: MAY 2011 REVISED: NOVEMBER 2015	E604-04