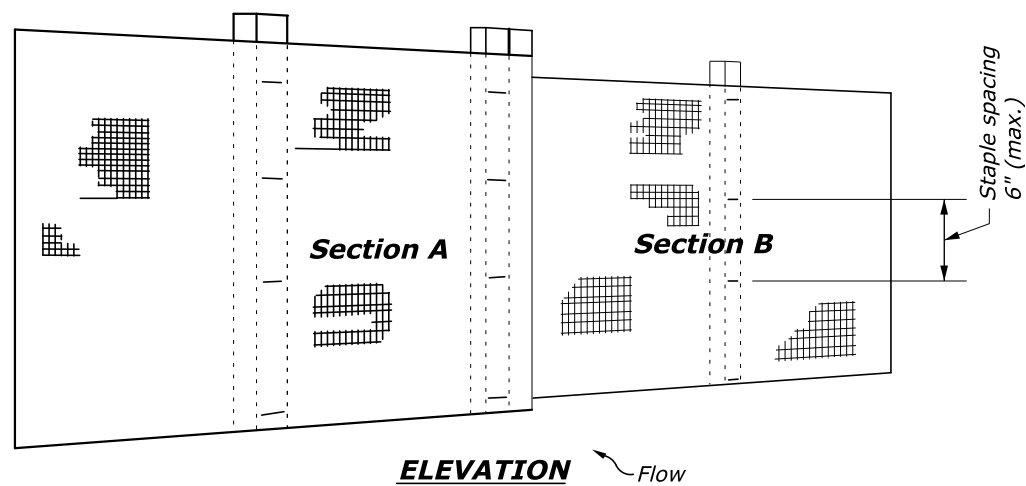


POST AND GEOTEXTILE INSTALLATION DETAIL

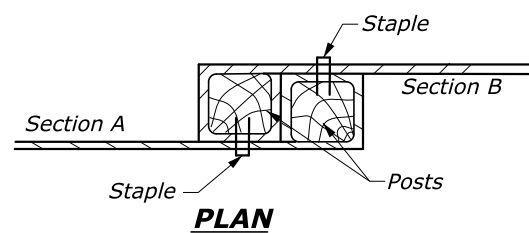
NOTES:

1. Install silt fence with Class 1 riprap only in low-flow drainage ditches where shown on the Erosion and Sediment Control Plan.
2. Install pre-assembled silt fence according to the manufacturer's recommendations.
3. Install silt fence along ground contours. Curve ends of silt fence upgrade to prevent water from running around the ends.
4. Attach geotextile and reinforcement mesh so they do not slide down posts. Provide detail for attaching to steel posts to the CO for approval.
5. Use reinforcement mesh that is a minimum of 32 inches in width and has a minimum of 6 line wires with 12-inch stay spacing.
6. Use geotextile that is a minimum of 45 inches in width and fasten adequately to the reinforcement mesh as directed by the CO.
7. Use 60-inch minimum height steel posts, of the self-fastener angle steel type.
8. Use 70-inch minimum height x 3 inch diameter wood posts.
9. Extend reinforcement mesh and geotextile into trench.

WIRE-BACKED SILT FENCE WITH CHECK DAM

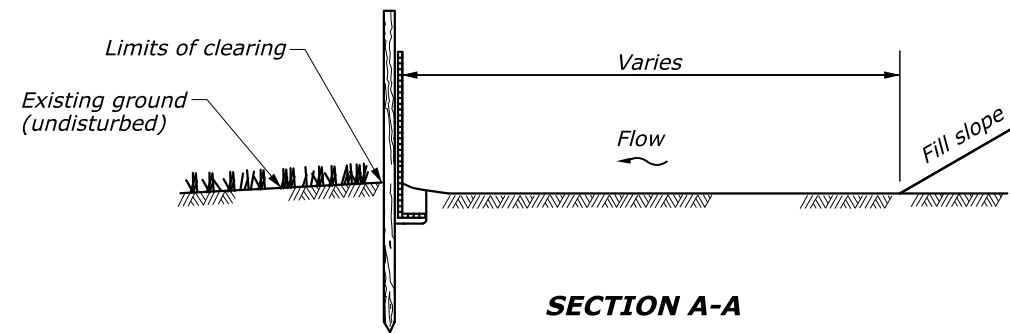


ELEVATION

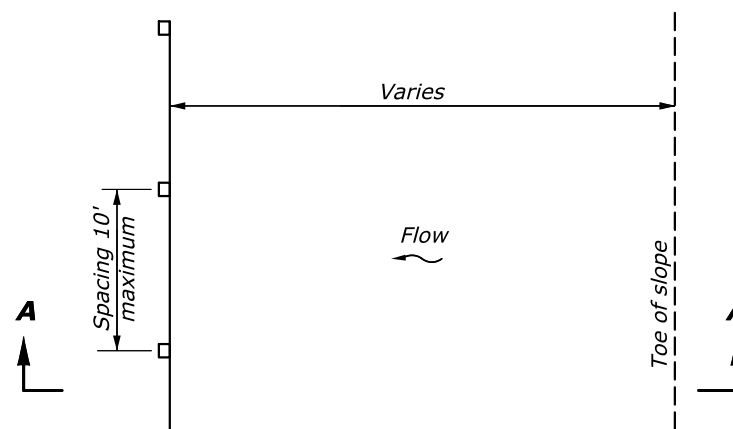


PLAN

JOINING TWO ADJACENT SILT FENCE SECTIONS
(See Note 4)

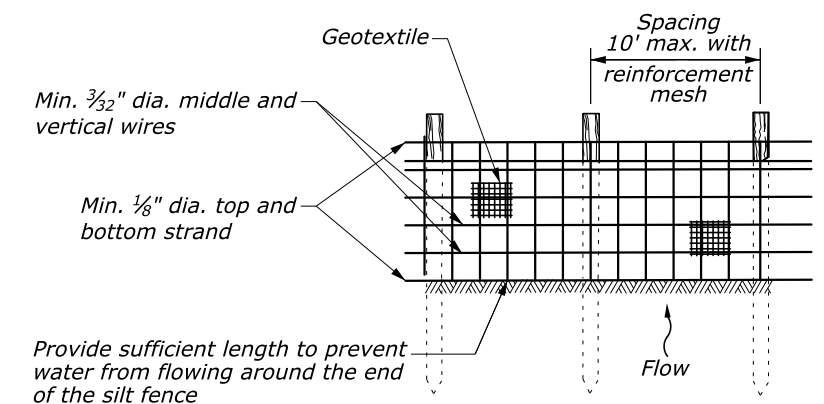


SECTION A-A



PLAN

WIRE-BACKED SILT FENCE INSTALLATION AT TOE OF FILL



ELEVATION

U.S. DEPARTMENT OF TRANSPORTATION
FEDERAL HIGHWAY ADMINISTRATION
EASTERN FEDERAL LANDS HIGHWAY DIVISION

U.S. CUSTOMARY DETAIL

WIRE-BACKED SILT FENCE

DETAIL APPROVED FOR USE

DETAIL

APPROVED: MAY 2011
REVISED: MARCH 2015

E157-02

NO SCALE