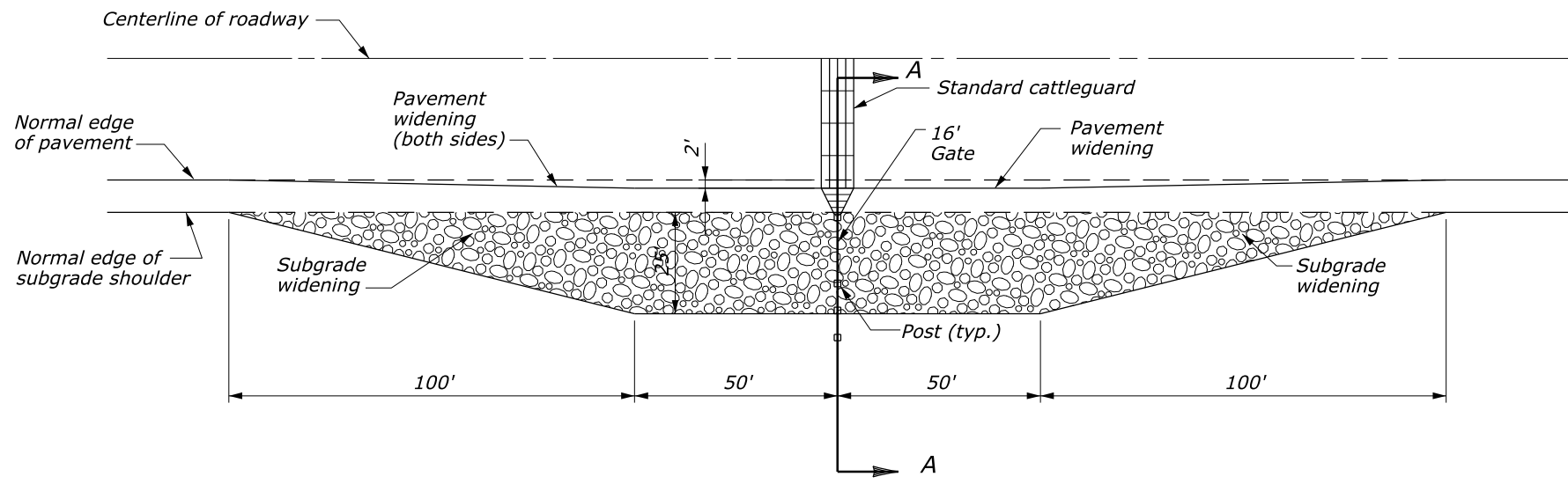
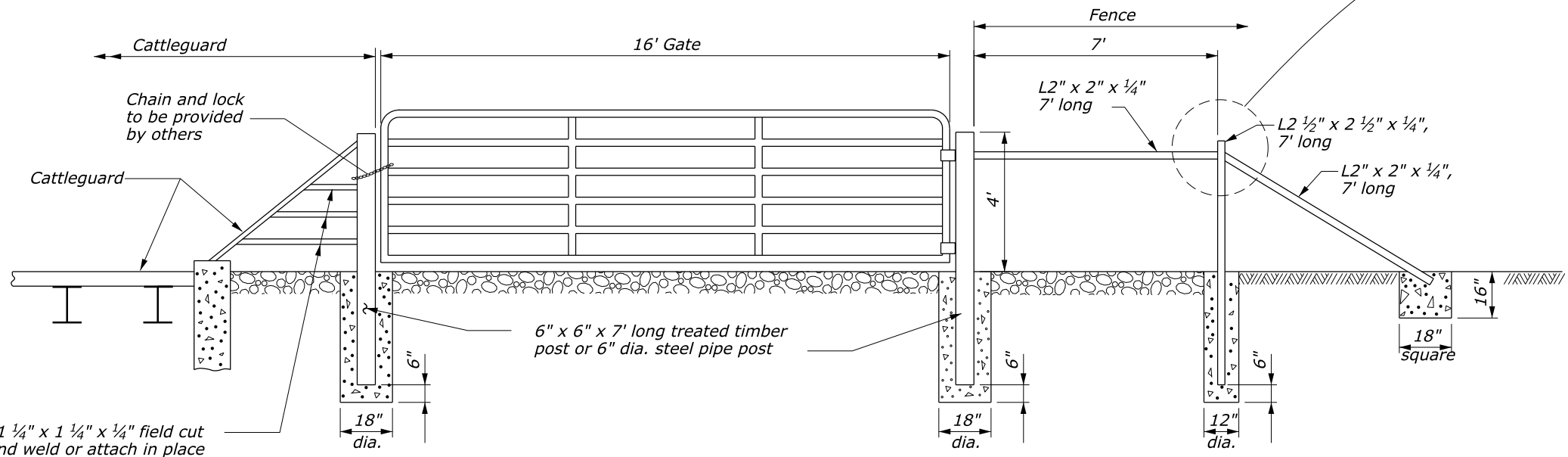


**NOTE:**

1. Install gate post and brace panel as shown. Use 1/2" x 1" machine bolts and nuts.
2. Paint all of the fence posts and braces the same color as the gate.
3. Furnish concrete conforming to Section 601.

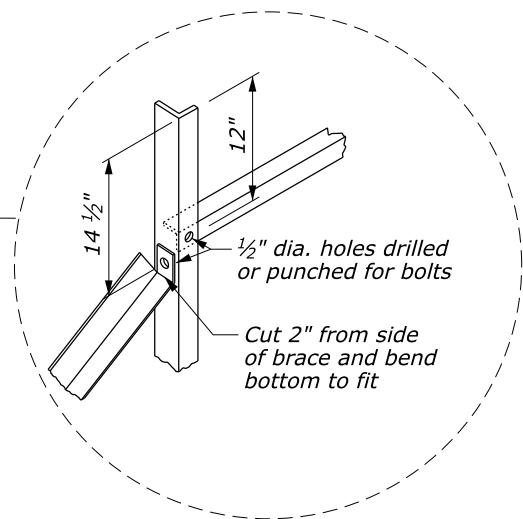


**PLAN**



**SECTION A-A**

L1 1/4" x 1 1/4" x 1/4" field cut and weld or attach in place as directed when angle iron wing guard is installed. Use appropriate fencing material when wood wing guard or aluminum tubing wing guard is installed.



NO SCALE

U.S. DEPARTMENT OF TRANSPORTATION  
 FEDERAL HIGHWAY ADMINISTRATION  
 CENTRAL FEDERAL LANDS HIGHWAY DIVISION

U.S. CUSTOMARY DETAIL

**CATTELGUARD GATE AND WIDENING**

DETAIL APPROVED FOR USE 07/2004

REVISOR: 08/2006 08/2014

DETAIL C619-52

\_User:

N:\CFL-DPT\Drawings\FP-14\FP14\_Details\C619-52.dgn

9:39:52 AM

9/22/2014