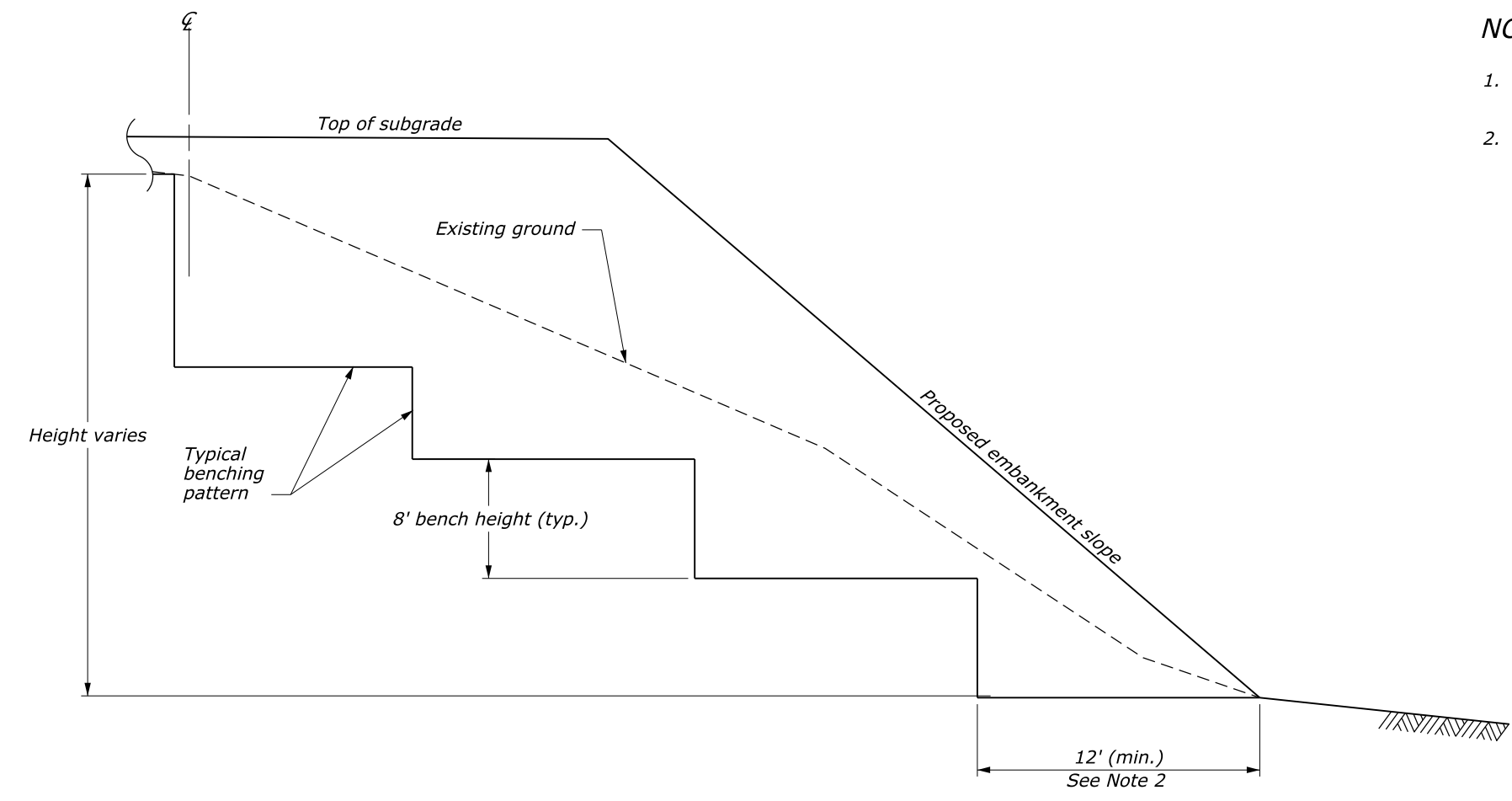
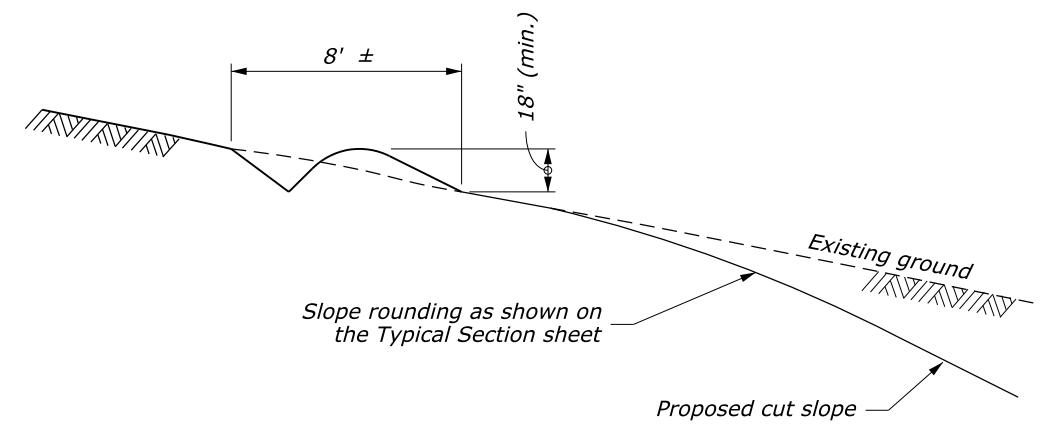


**NOTE:**

1. Benching is not required for ground sloped at 1V:3H or flatter.
2. Bench into existing slope as necessary to meet 12' minimum bench width and 8' typical bench height.



**EMBANKMENT BENCHING**



**FURROW DITCH**

U.S. DEPARTMENT OF TRANSPORTATION  
 FEDERAL HIGHWAY ADMINISTRATION  
 CENTRAL FEDERAL LANDS HIGHWAY DIVISION

U.S. CUSTOMARY DETAIL

**EMBANKMENT BENCHING  
 AND FURROW DITCH**

DETAIL APPROVED FOR USE 08/2006

REVISD: 08/2014

DETAIL  
 C204-50

\_User:

N:\CFL-DPT\Drawings\FP-14\FP14\_Details\C204-50.dgn

9/22/2014