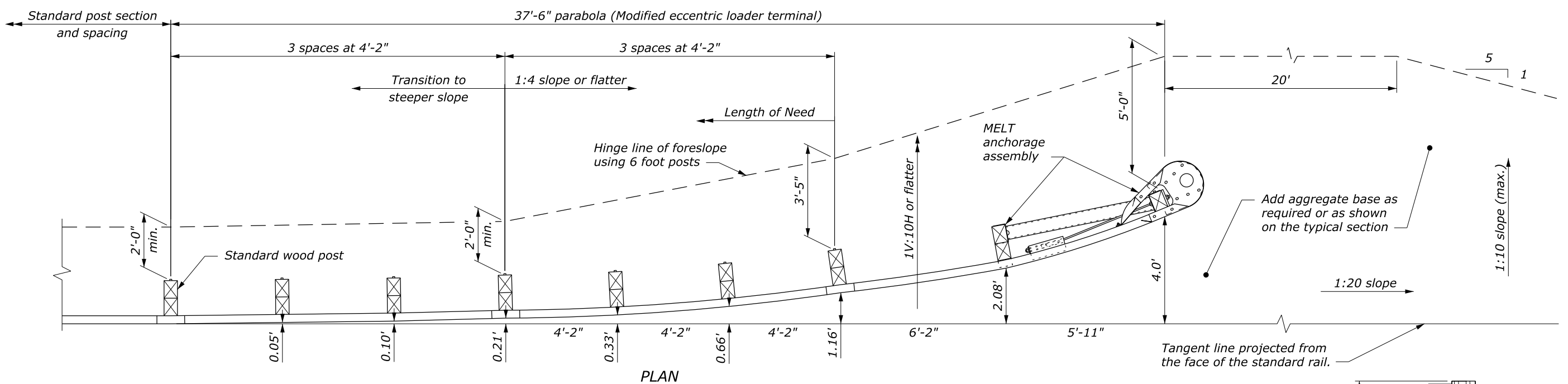
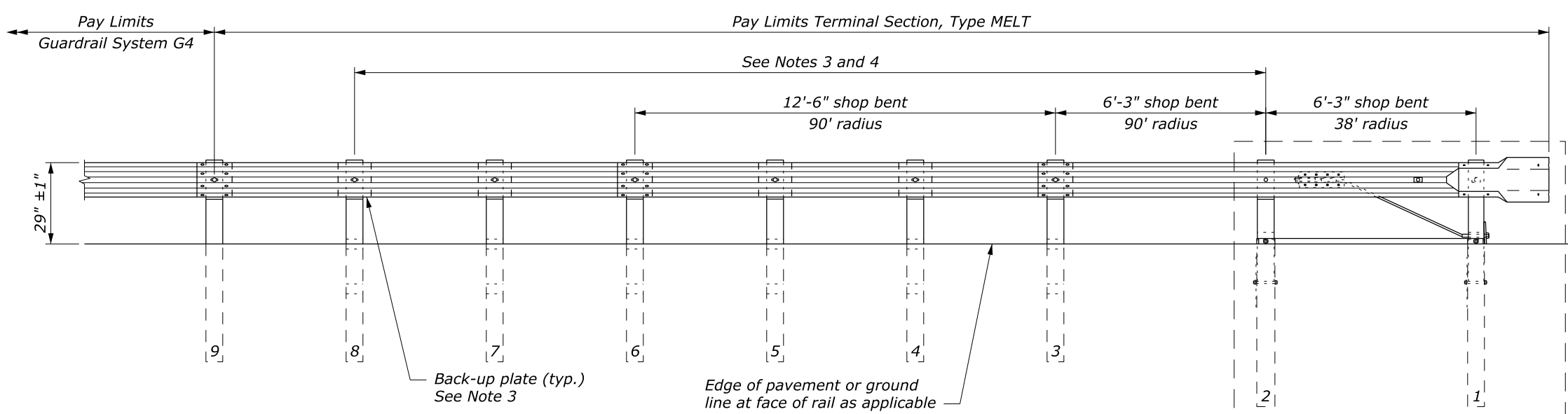


NOTE:

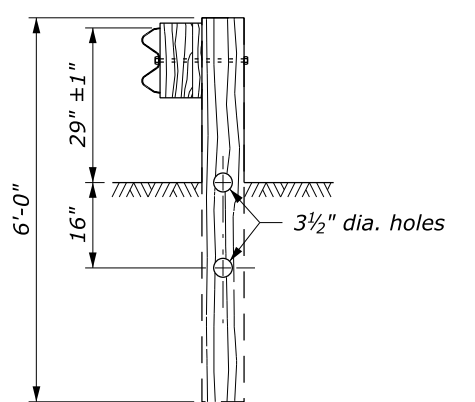
1. Do not use terminal where speeds are in excess of 45 MPH.
2. Extend bolts through the post and block, but not through the W beam rail for Posts #2-8. Extend bolts through the W-Beam rail for Posts #1 and #9.
3. Use Back-up plates on posts #4, 5, 7, and 8.
4. Use Shelf angle on post #2.



PLAN



ELEVATION



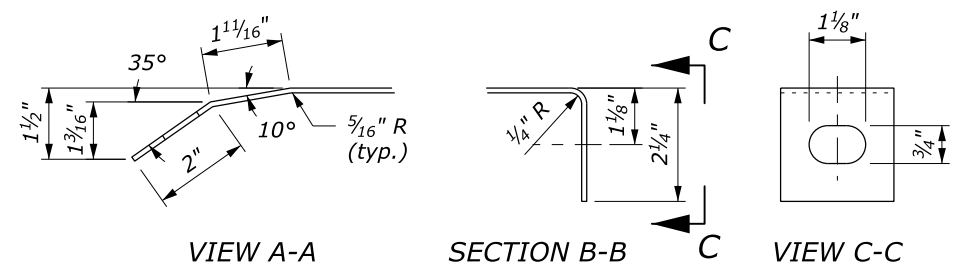
**BREAKAWAY LINE
POST AND BLOCK
POSTS #3 - #8**

**APPROACH & DEPARTURE FLARE
WITH MODIFIED ECCENTRIC LOADER TERMINAL**

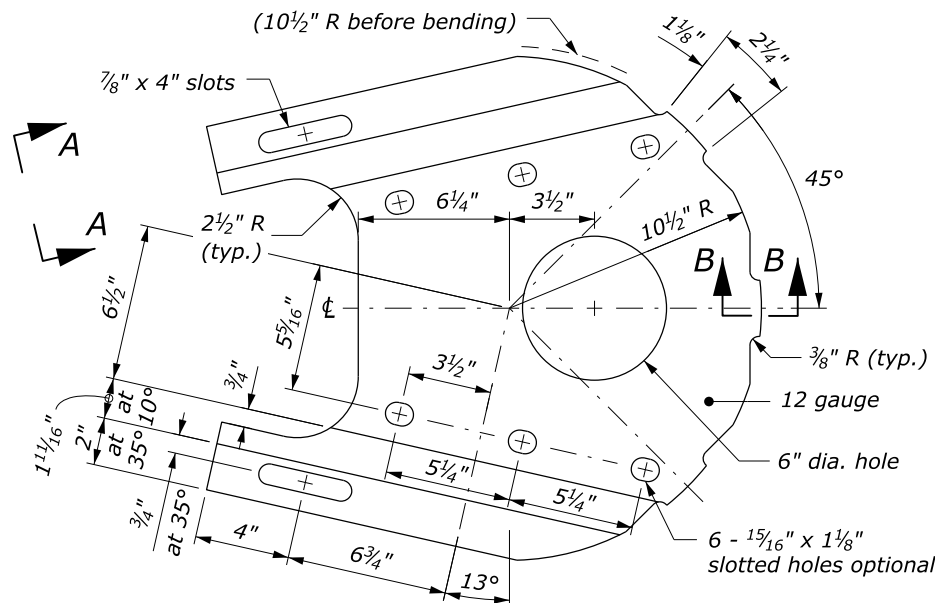
NO SCALE

U.S. DEPARTMENT OF TRANSPORTATION FEDERAL HIGHWAY ADMINISTRATION FEDERAL LANDS HIGHWAY	
U.S. CUSTOMARY STANDARD G4 W-BEAM GUARDRAIL MODIFIED ECCENTRIC LOADER TERMINAL, TYPE MELT Sheet 1 of 2	
STANDARD APPROVED FOR USE 1/1994	STANDARD
REVISED: 4/1994 6/2005 DRAFT: 4/2016	617-12

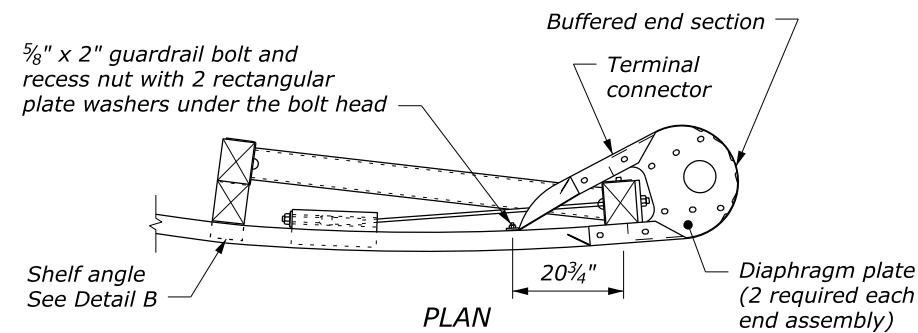
c:\myfiles\pw_production\dms67487\std617-12.dgn [USC] 13 April 2016 7:17 AM



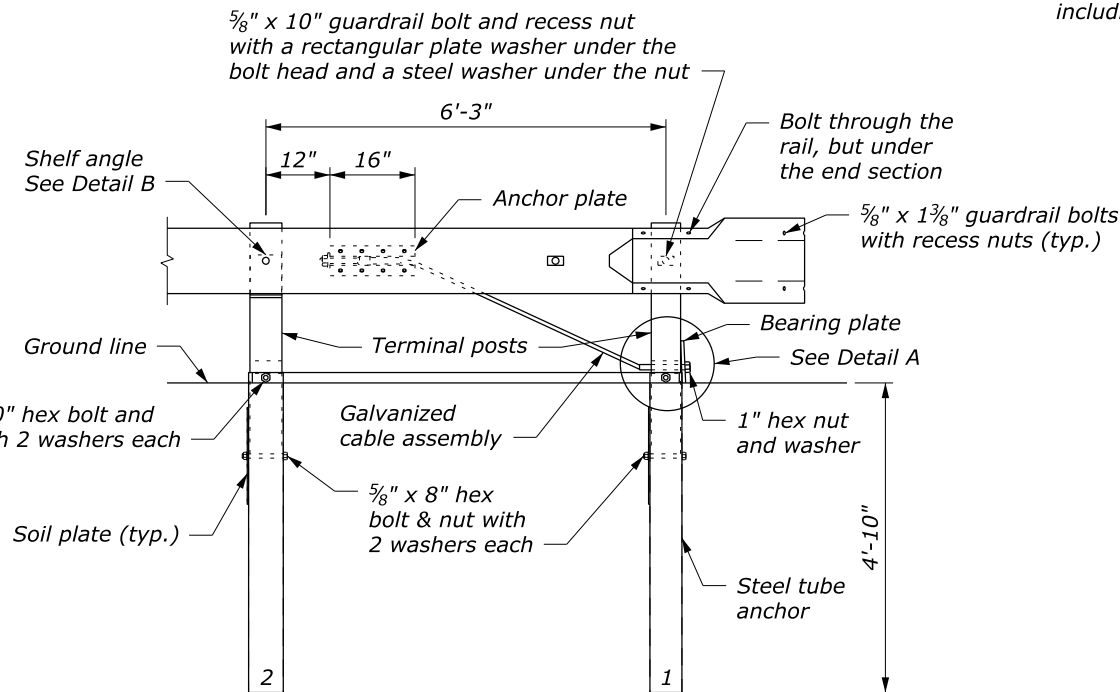
DIAPHRAGM PLATE DETAILS



DIAPHRAGM PLATE
(2 required each terminal)

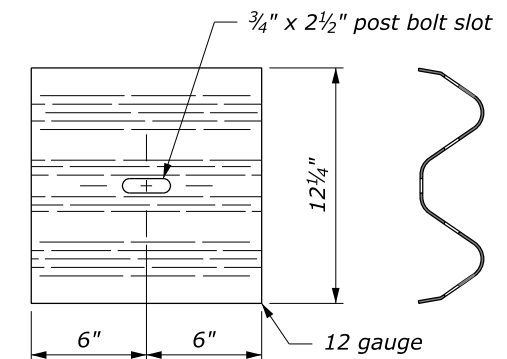


PLAN

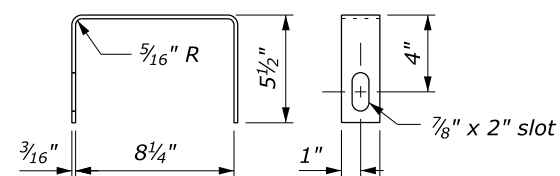


ELEVATION

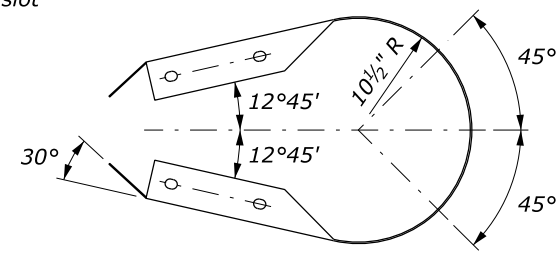
ANCHORAGE ASSEMBLY



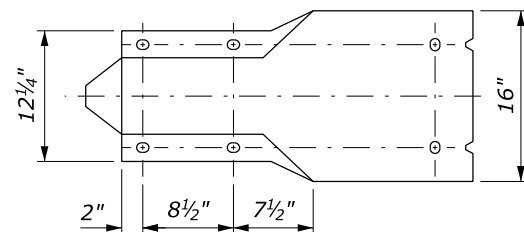
W-BEAM BACK UP PLATE
POSTS #4, 5, 7, & 8



YOKE DETAILS

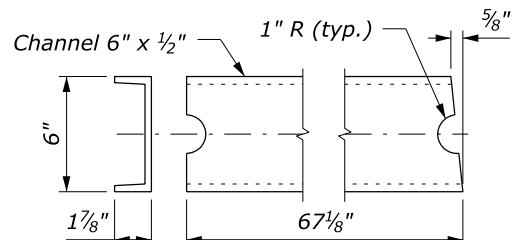


PLAN

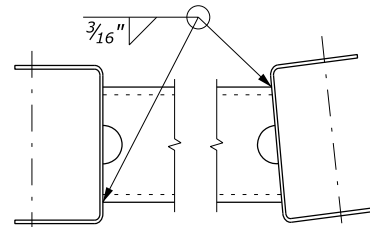


ELEVATION

BUFFERED END SECTION

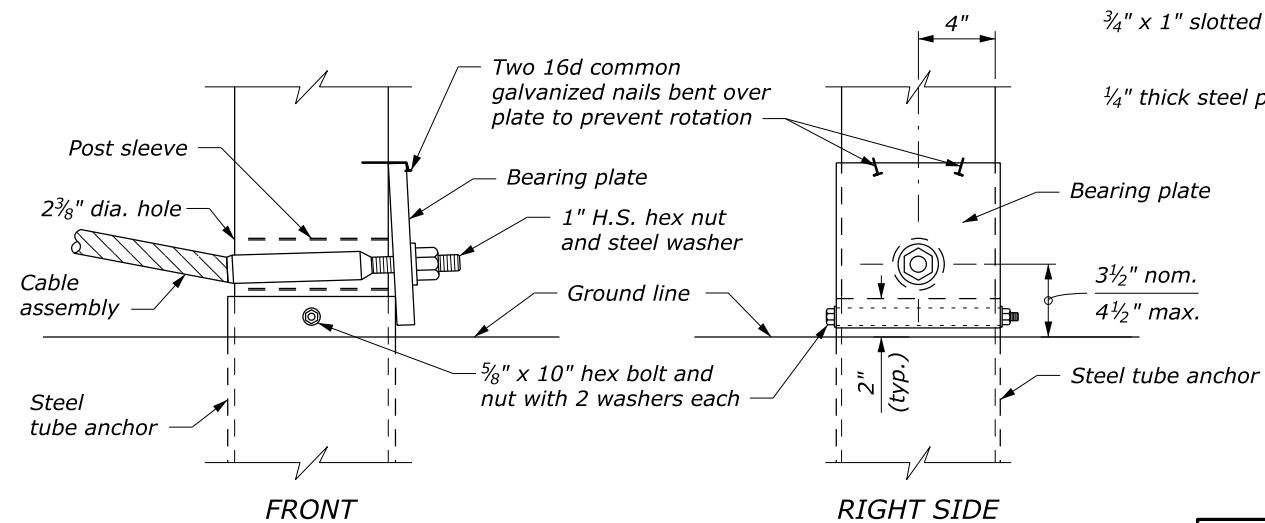


STRUT DETAILS



Shown with legs down. For opposite hand, install legs up.

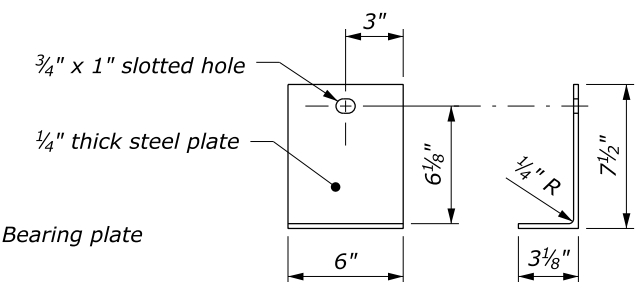
STRUT AND YOKE ASSEMBLY



FRONT

RIGHT SIDE

DETAIL A
POST #1 ASSEMBLY



DETAIL B
POST #2 SHELF ANGLE

NOTE:

1. See Standard 617-15 for other details.
2. Extend bolts through the post and block, but not through the W-Beam rail for Posts #2-8. Extend bolts through the W-Beam rail for Posts #1 and #9.
3. Dimensional tolerances not shown or implied are intended to be those consistent with the proper functioning of the part, including its appearance, and accepted manufacturing practices.

NO SCALE

U.S. DEPARTMENT OF TRANSPORTATION FEDERAL HIGHWAY ADMINISTRATION FEDERAL LANDS HIGHWAY	
U.S. CUSTOMARY STANDARD G4 W-BEAM GUARDRAIL MODIFIED ECCENTRIC LOADER TERMINAL, TYPE MELT Sheet 2 of 2	
STANDARD APPROVED FOR USE 1/1994 REVISED: 4/1994 6/2005 DRAFT: 5/2014	STANDARD 617-12