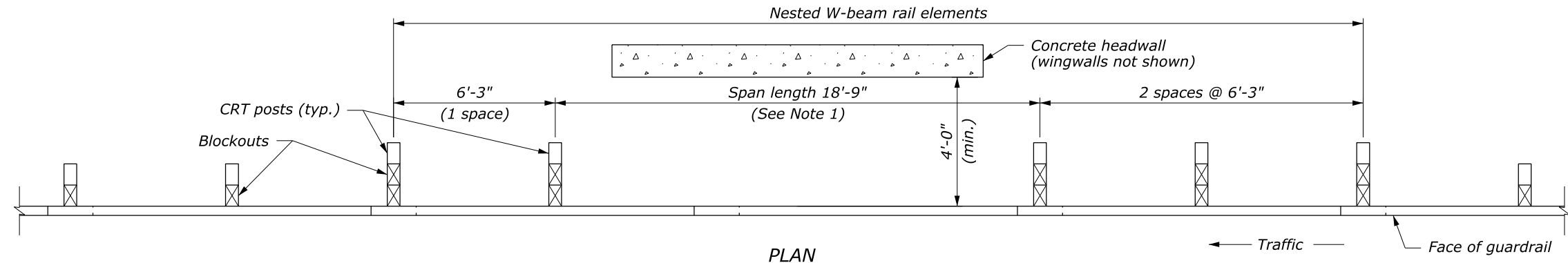
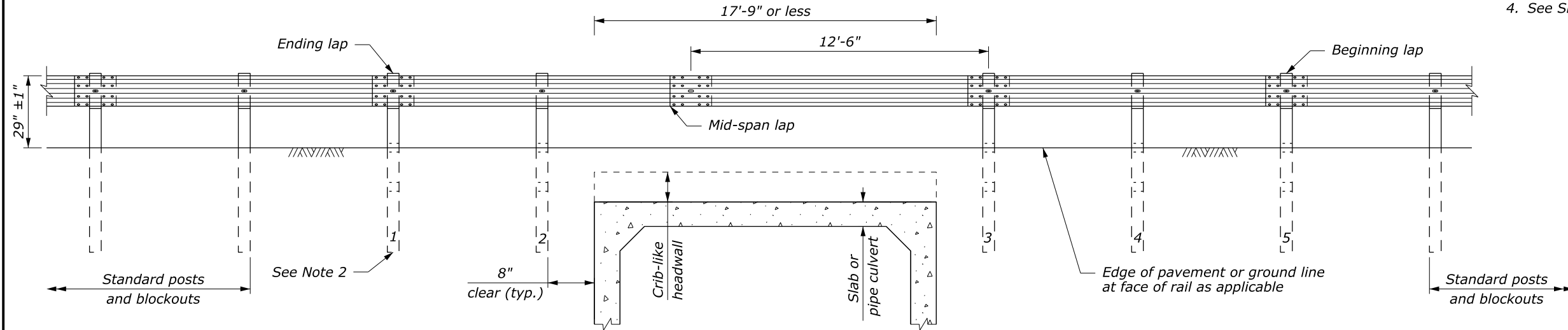


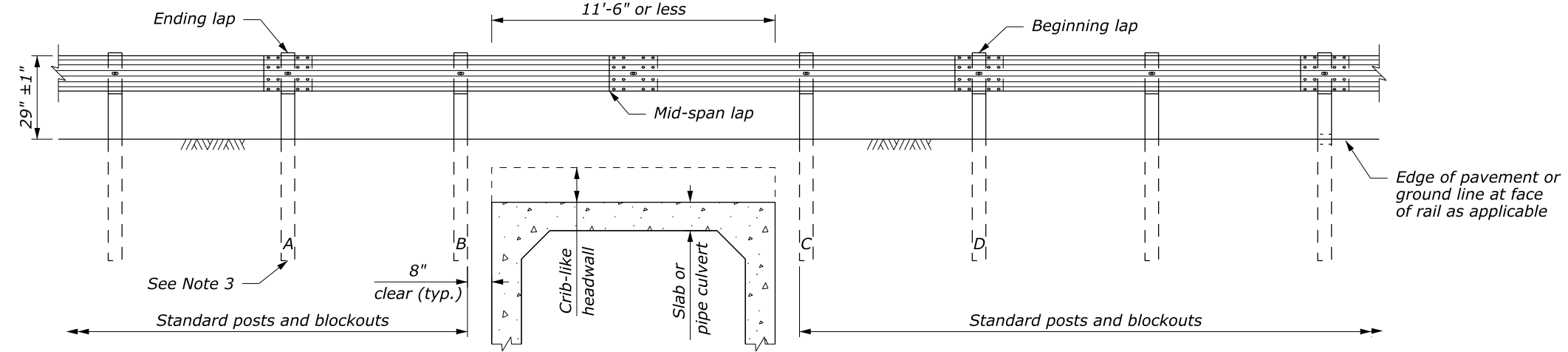
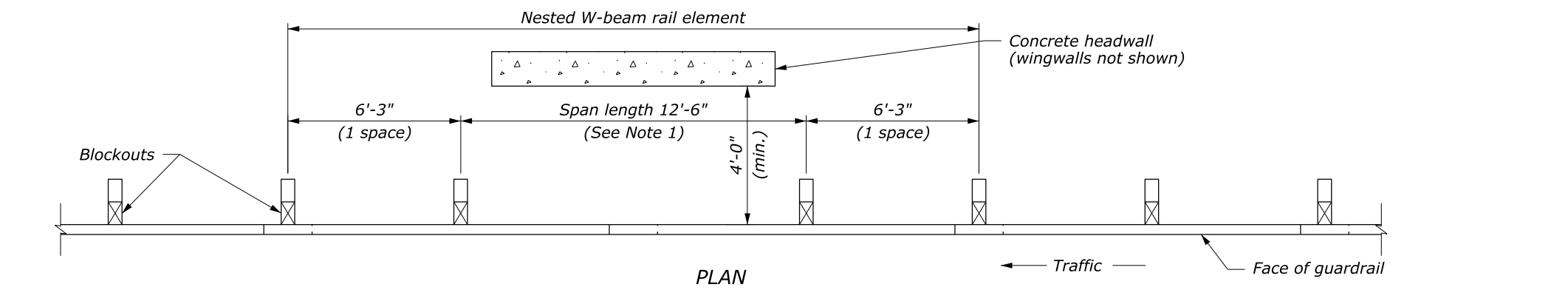
STATE	PROJECT	SHEET NUMBER



- NOTE:**
1. 25'-0" rail lengths may be used to eliminate the intermediate lap without a post. Do not place a lap without a post unless needed due to gap length.
 2. Posts 1 thru 5 are CRT posts with two blockouts. All other posts are wood or steel.
 3. Posts A thru D are standard wood posts with one blockout. All other posts are wood or steel.
 4. See Sheet 2 of 2 for additional details.



**ELEVATION
18'-9" GUARDRAIL SPAN**



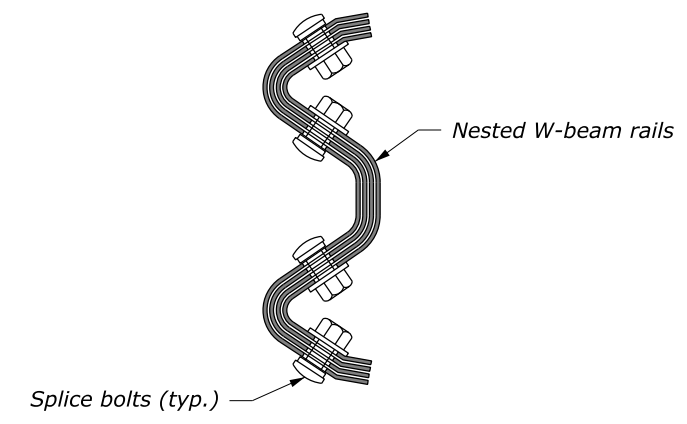
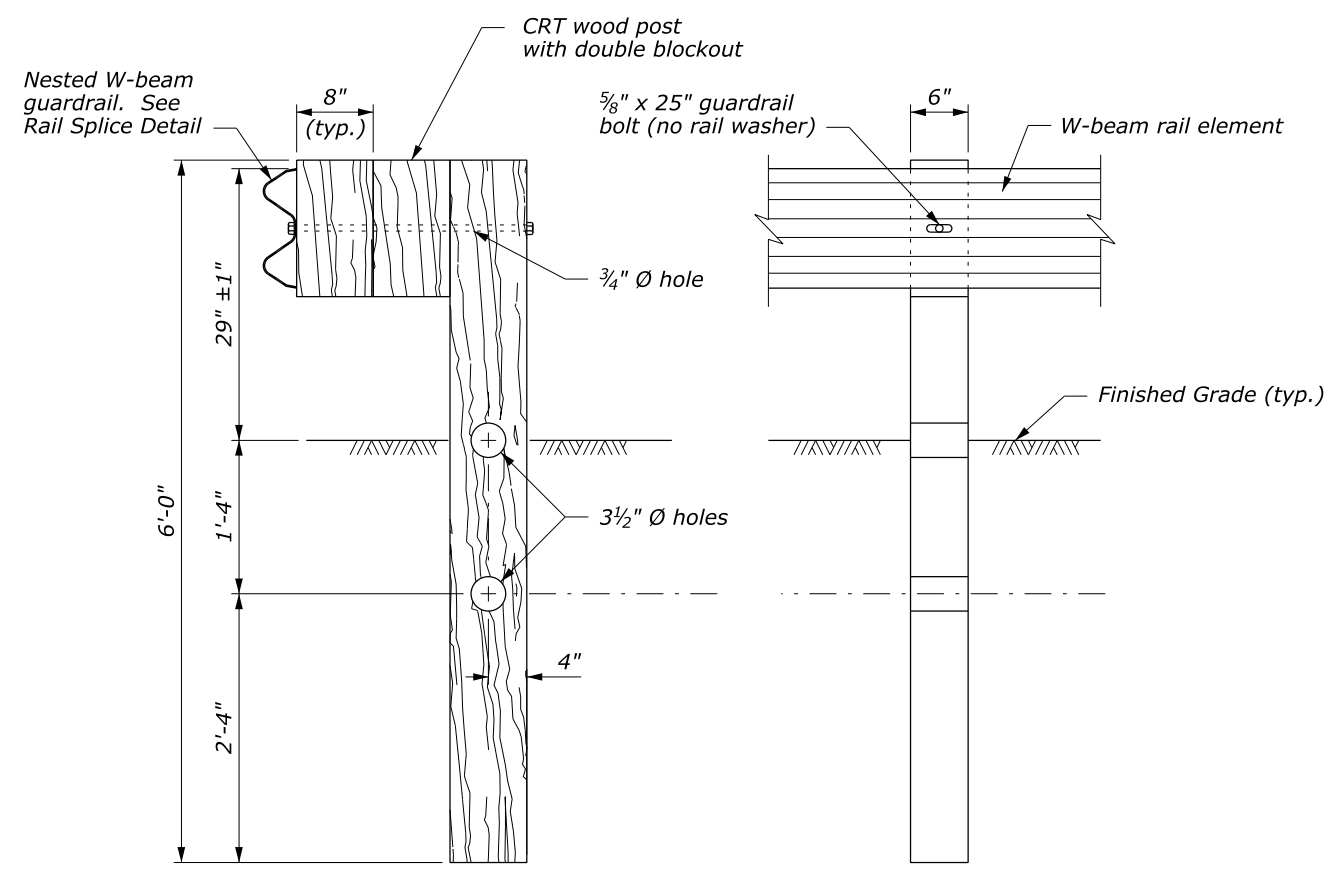
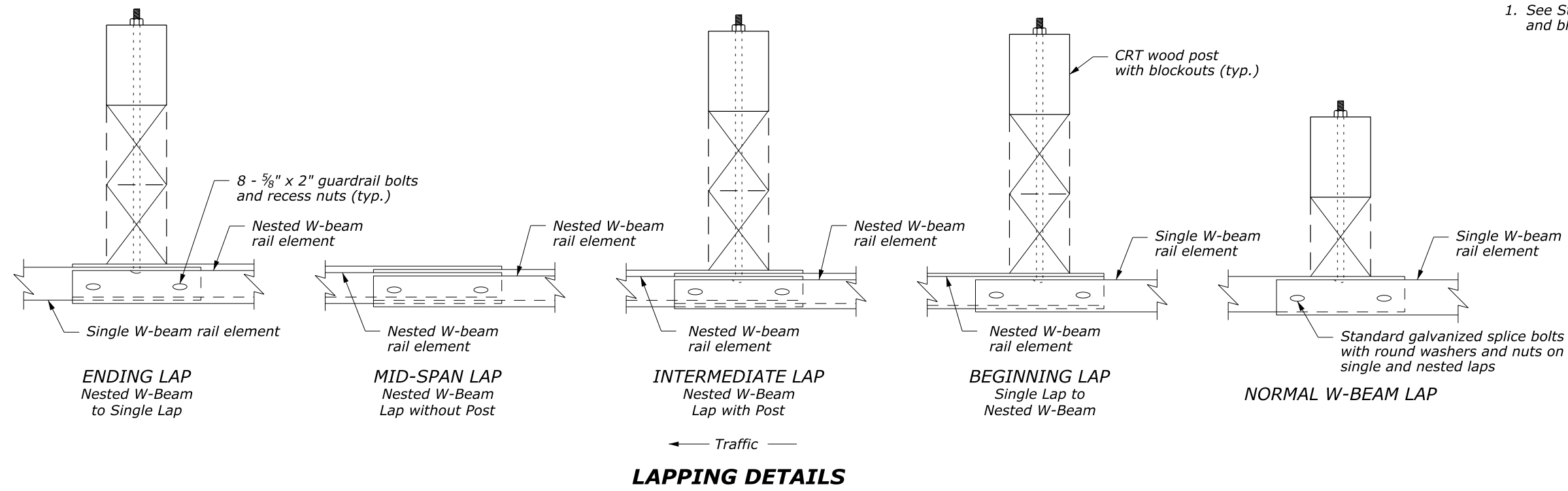
**ELEVATION
12'-6" GUARDRAIL SPAN**

NO SCALE

U.S. DEPARTMENT OF TRANSPORTATION FEDERAL HIGHWAY ADMINISTRATION FEDERAL LANDS HIGHWAY	
U.S. CUSTOMARY STANDARD G4 W-BEAM GUARDRAIL LONG SPAN SYSTEM, TL-2 Sheet 1 of 2	
STANDARD APPROVED FOR USE 1/1994 REVISED: 4/1994 6/2005 DRAFT: 9/2014	STANDARD 617-24

29 September 2014 2:34 PM c:\myfiles\pw_production\dmms67487\Std.617-24.DRAFT.dgn [USC]

NOTE:
 1. See Standard 617-10 for standard wood post and blockout details.



U.S. DEPARTMENT OF TRANSPORTATION FEDERAL HIGHWAY ADMINISTRATION FEDERAL LANDS HIGHWAY	
U.S. CUSTOMARY STANDARD	
G4 W-BEAM GUARDRAIL LONG SPAN SYSTEM, TL-2	
Sheet 2 of 2	
STANDARD APPROVED FOR USE 1/1994	STANDARD
REVISED: 4/1994 6/2005	617-24
DRAFT: 9/2014	

NO SCALE

25 September 2014 11:24 AM c:\myfiles\pw_production\dms67487\Std.617-24.DRAFT.dgn [USC]