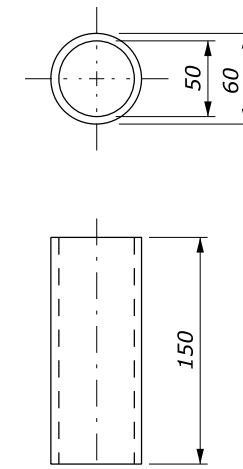


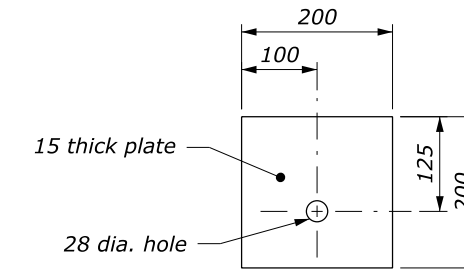
ANCHOR PLATE DETAILS FOR LST ANCHORAGE ASSEMBLY

NOTE:

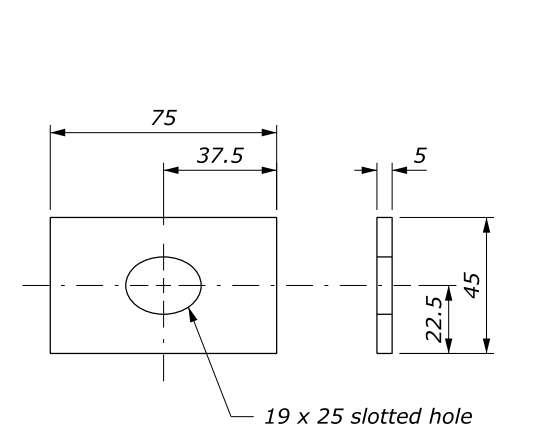
1. Dimensional tolerances not shown or implied are intended to be those consistent with the proper functioning of the part, including its appearance, and accepted manufacturing practices.
2. Furnish hardware in the metric sizes shown. Equivalent U.S. Customary sizes may be used when metric sizes are unavailable.
3. Dimensions without units are millimeters.



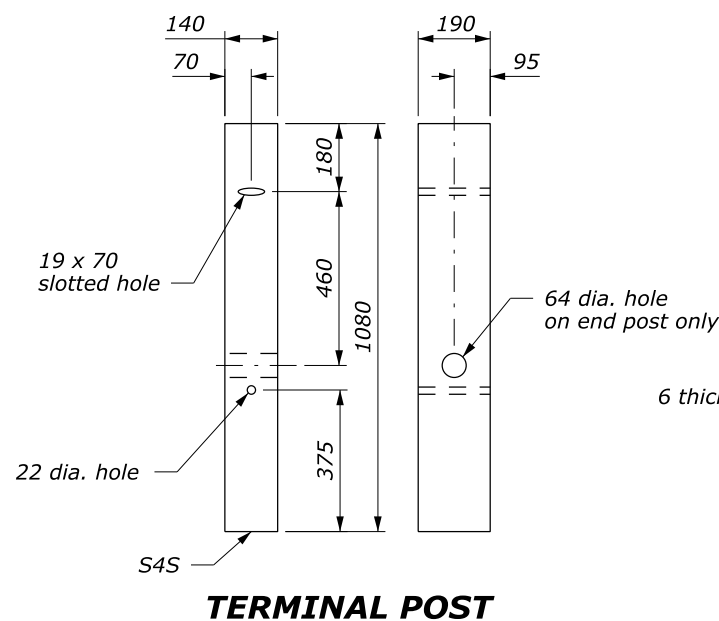
POST SLEEVE



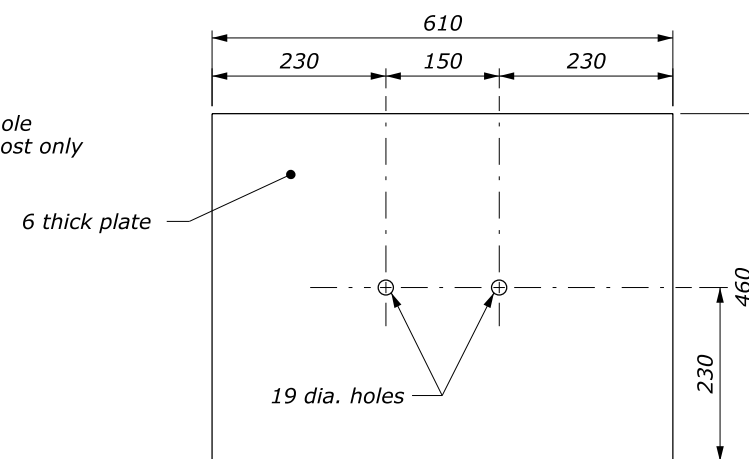
BEARING PLATE



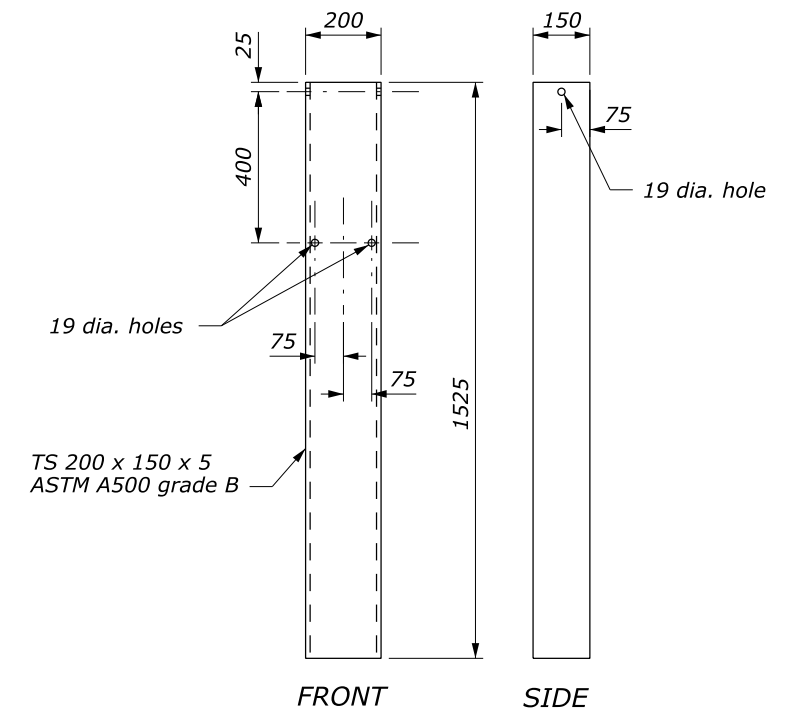
RECTANGULAR PLATE WASHER
(Use to attach the section to the post of anchorage assembly)



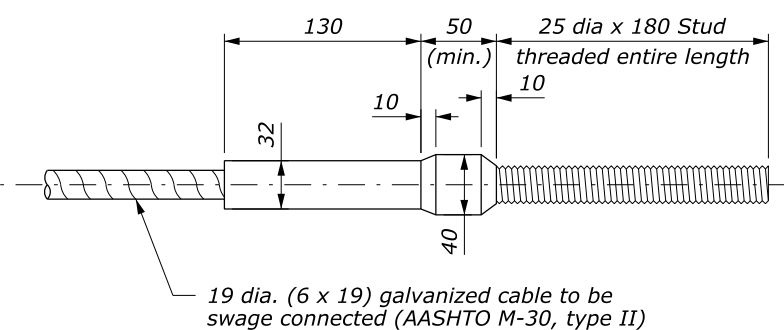
TERMINAL POST



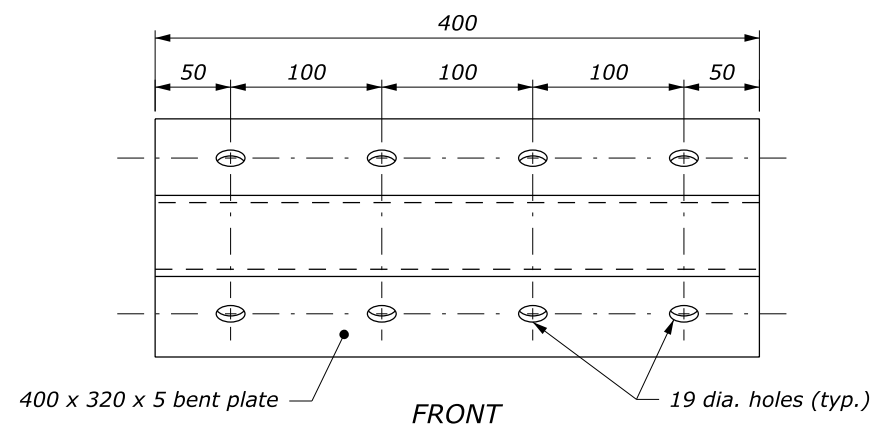
SOIL PLATE
(2 REQUIRED)



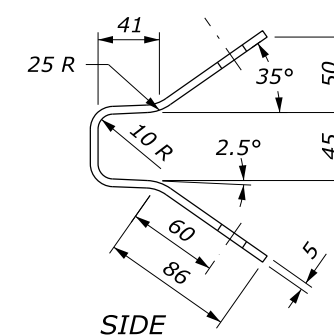
STEEL TUBE ANCHOR



CABLE ASSEMBLY
(Standard swaged fitting and stud)



GUARDRAIL ANCHOR PLATE



NO SCALE

U.S. DEPARTMENT OF TRANSPORTATION FEDERAL HIGHWAY ADMINISTRATION FEDERAL LANDS HIGHWAY	
METRIC STANDARD	
G4 W-BEAM GUARDRAIL MELT, LST & CRT ANCHORAGE ASSEMBLY DETAILS	
STANDARD APPROVED FOR USE 3/1996	STANDARD
REVISED: 8/1997 12/1998 6/2005	M617-15
DRAFT: 5/2014	