

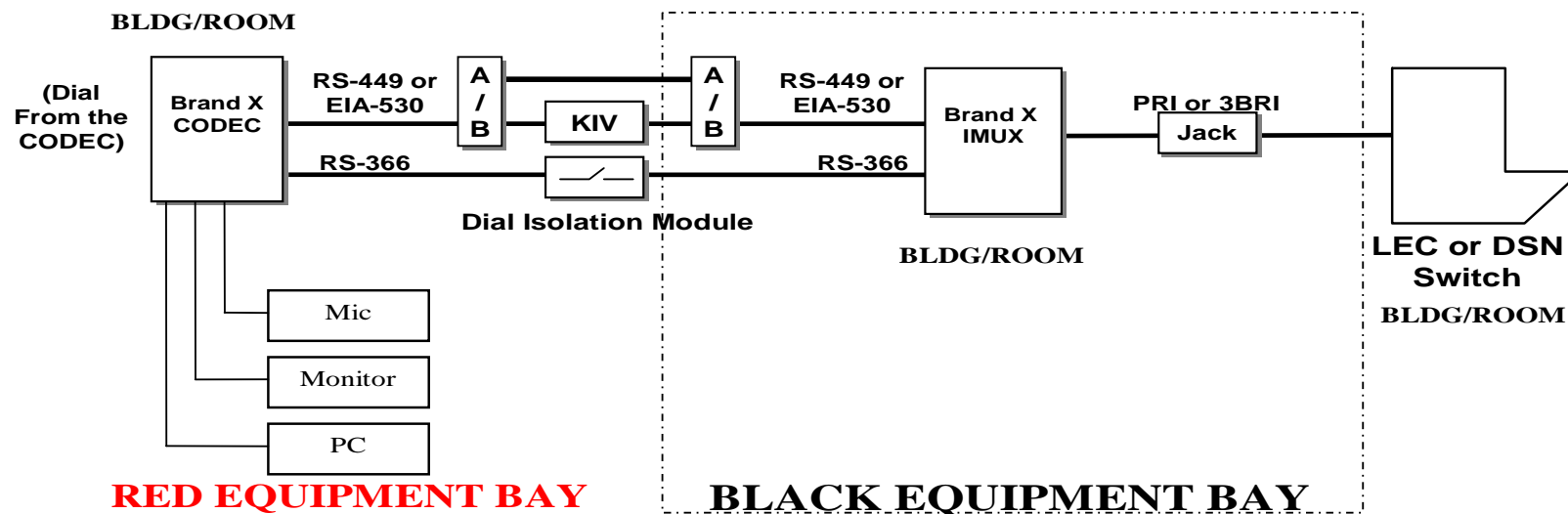
All Configuration Drawings must include the Make and Model of the CODEC, IMUX, Dial Isolator, and all switches. This information is required prior to processing your request for service or renewal of service.

The VTF connectivity diagram must include all associated devices including video equipment, MCUs, line interface units, hubs, IP connections, routers, firewalls, gateways, modems, encryption devices, backup devices, type of transport, bandwidth being utilized, your Site ID, and building / room locations of all equipment.

DVS CAP

Secure Configuration Drawing (Example)

(Replace this header with your Site ID)

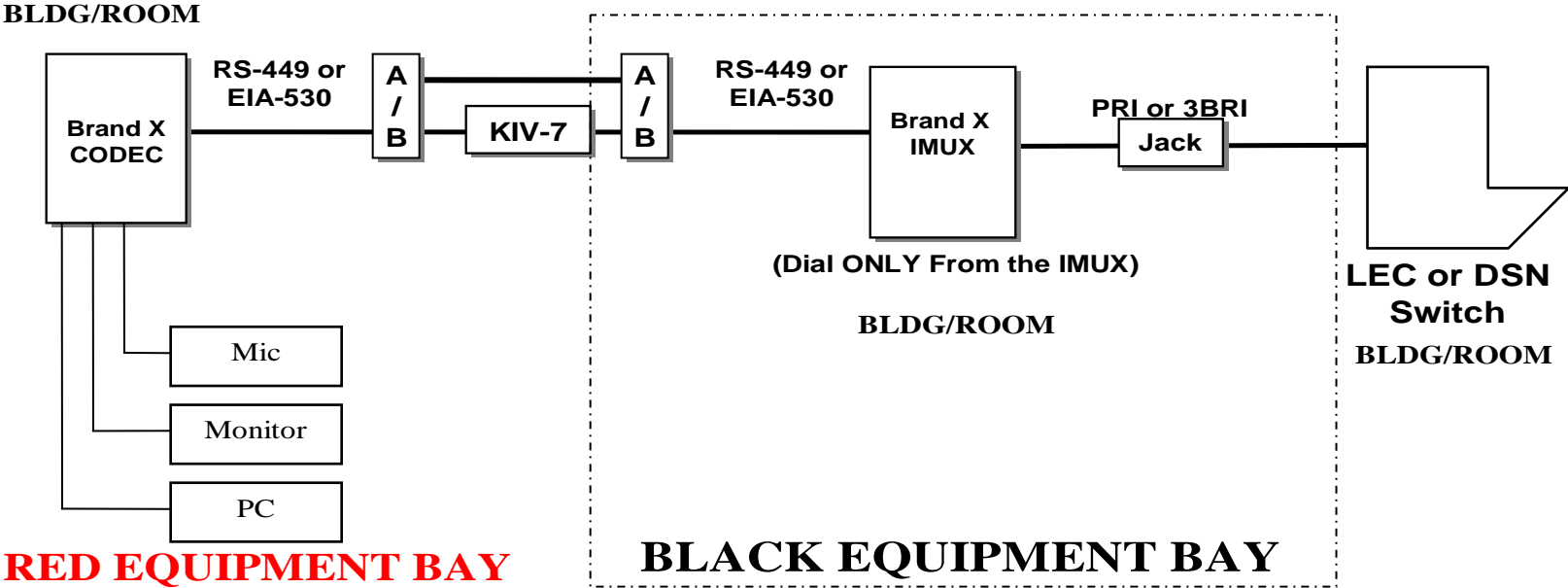


This Configuration is only authorized with proper isolation integrated within the A/B Switch, such as optical isolation. (See the current list on the Approved Equipment page.)

DVS CAP

Secure Configuration Drawing (Example)

(Replace this header with your Site ID)

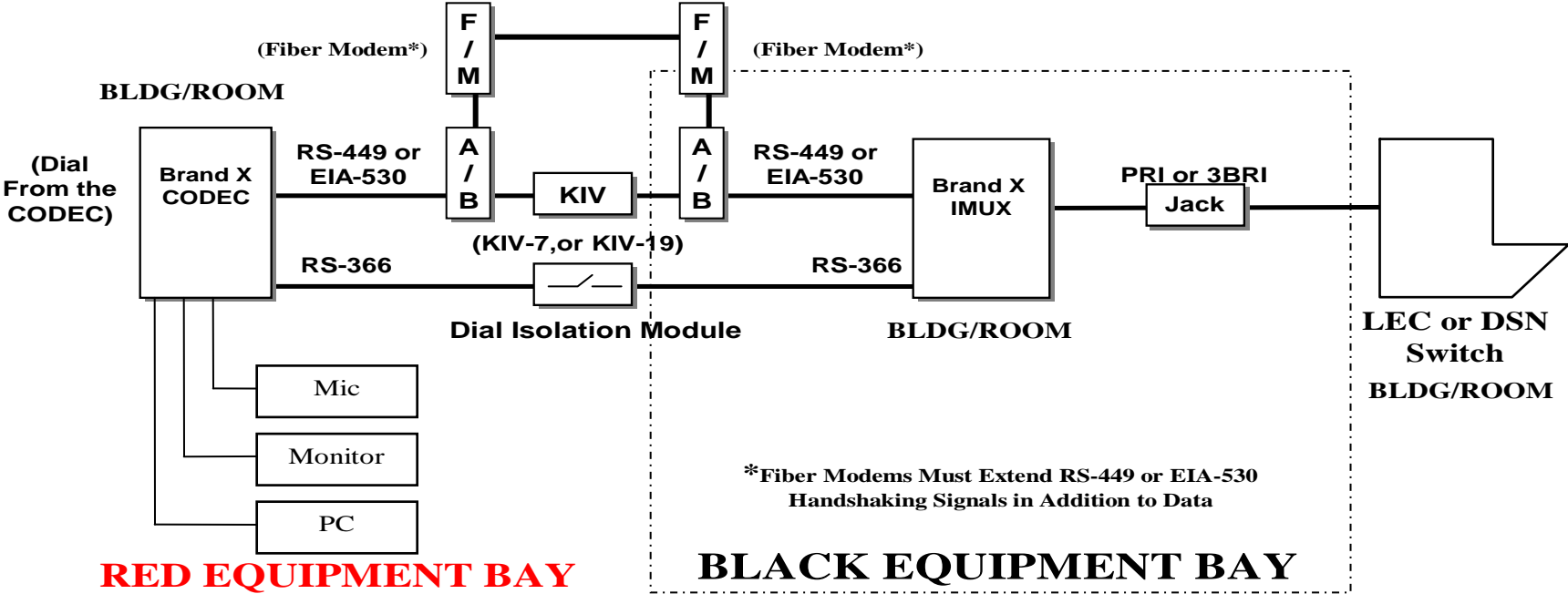


NOTE: This Configuration is only authorized with proper isolation integrated within the A/B Switch, such as optical isolation. (See the current list on the Approved Equipment page.)

DVS CAP

Secure Configuration Drawing (Example)

(Replace this header with your Site ID)

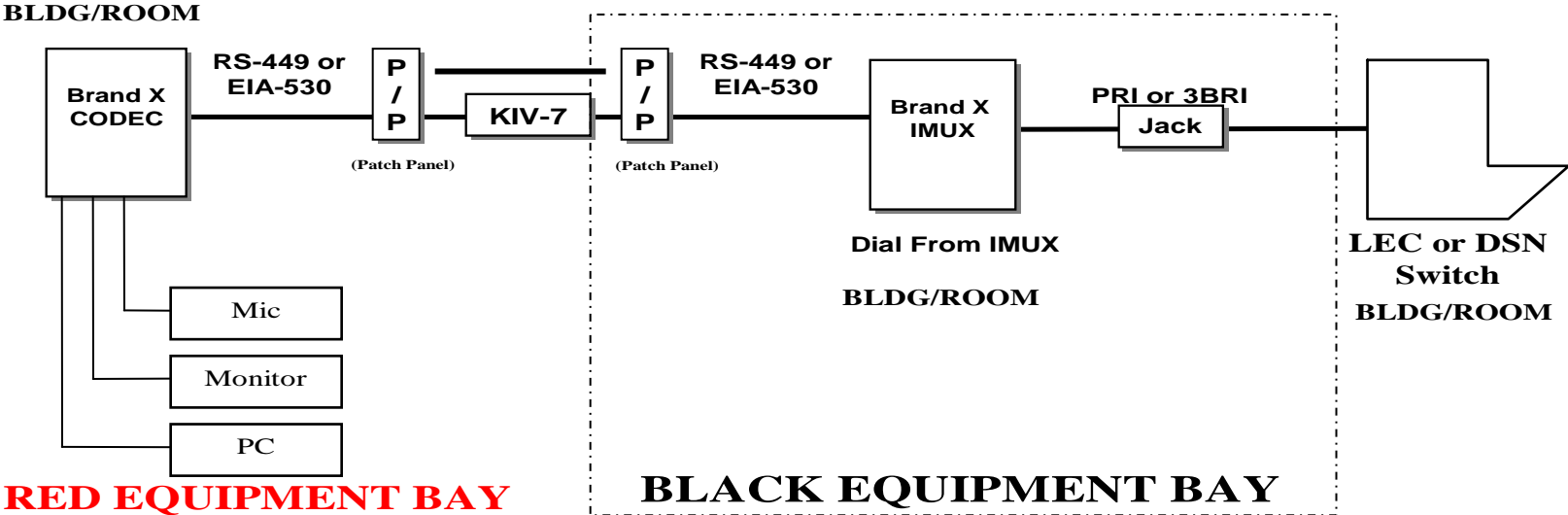


UNCLASSIFIED PATH

DVS CAP

Secure Configuration Drawing (Example)

(Replace this header with your Site ID)

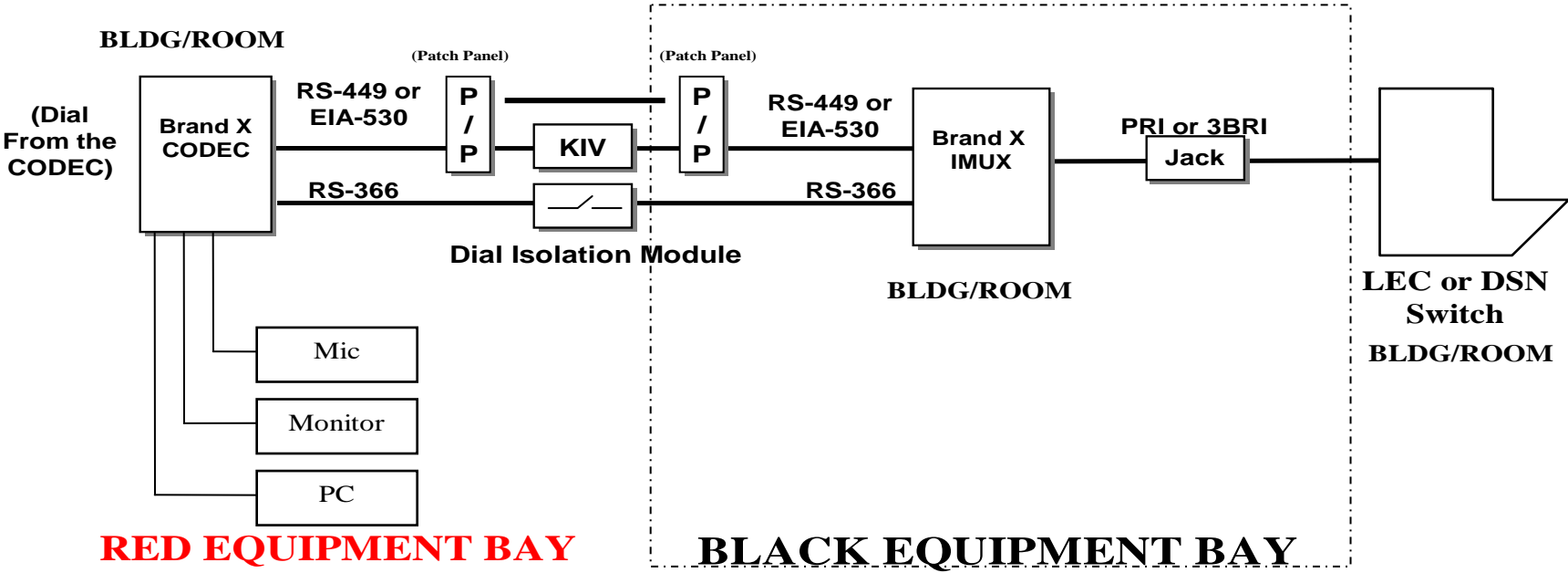


(Patch KIV-7 into path for Classified – remove/replace with UNCLASS patch for Unclassified.)

DVS CAP

Secure Configuration Drawing (Example)

(Replace this header with your Site ID)

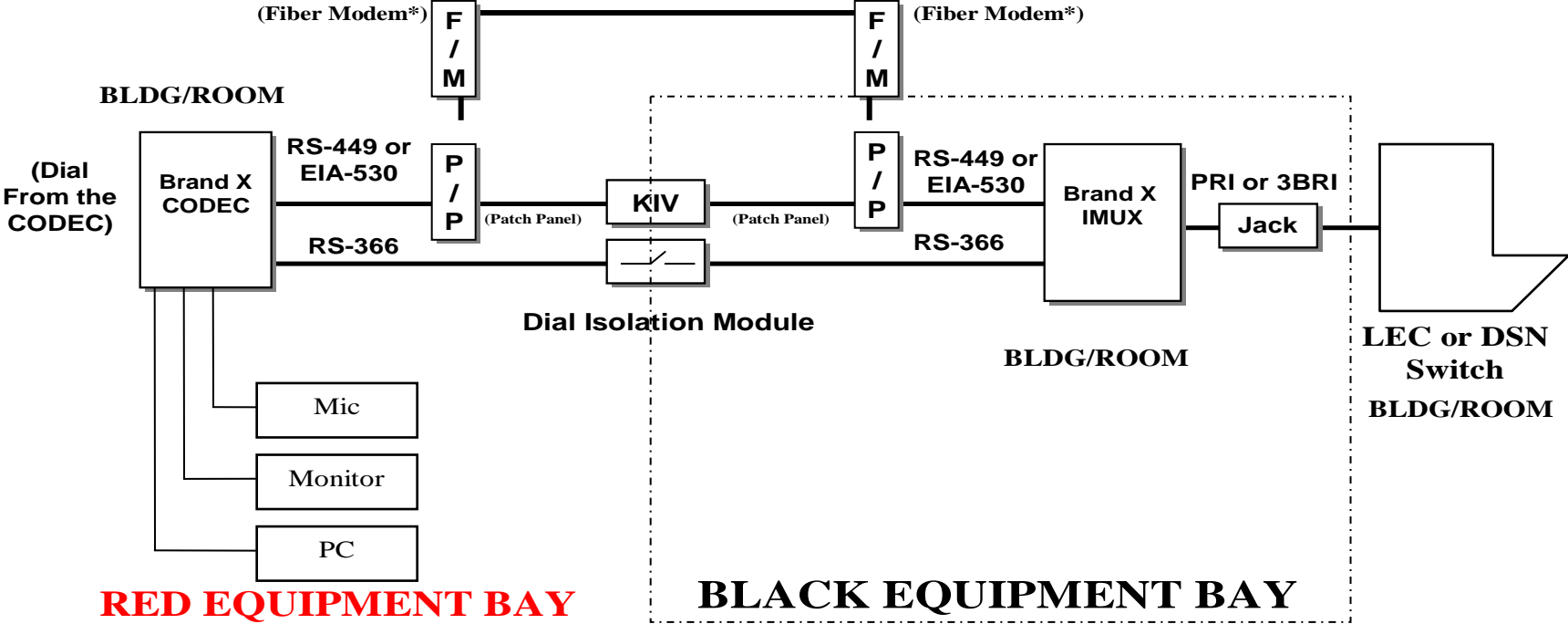


(Patch KIV-7 into path for Classified -/- Remove/replace with UNCLASS patch for Unclassified.)

DVS CAP

Secure Configuration Drawing (Example)

(Replace this header with your Site ID)



(Patch KIV-7 into path for Classified -/- Remove/replace with UNCLASS patch for Unclassified.)