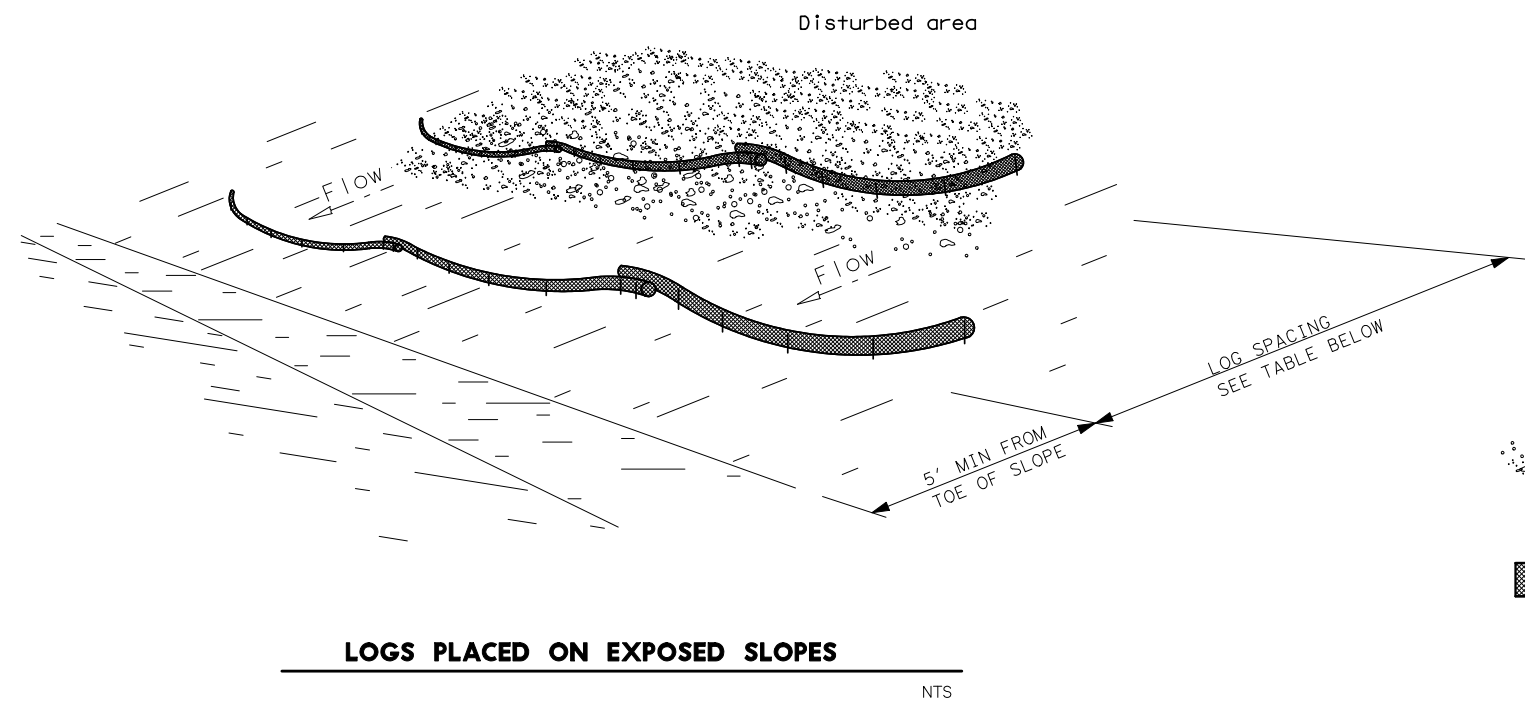


DISCLAIMER: The use of this standard is governed by the "Texas Engineering Practice Act". No warranty of any kind is made by TxDOT for any purpose whatsoever. TxDOT assumes no responsibility for the conversion of this standard to other formats or for incorrect results or damages resulting from its use.

http://www.dot.state.tx.us/ftw/specinfo/standard.htm <teclfw.dgn>

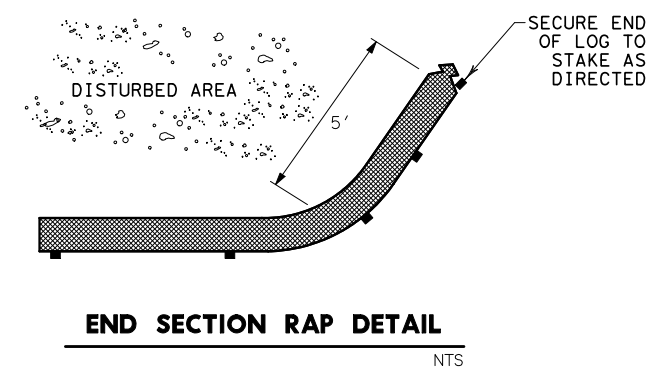
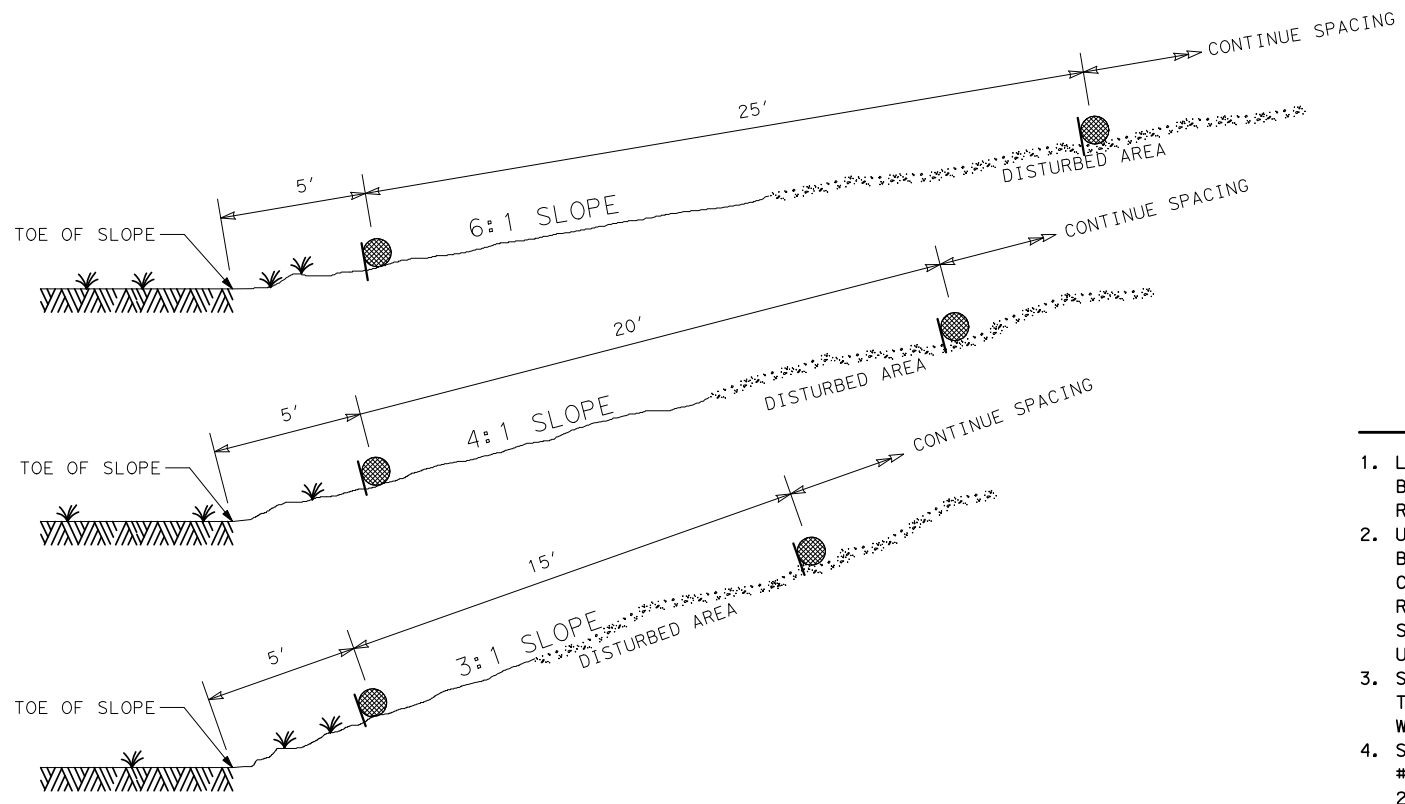
LEVELS DISPLAYED:  
 1 2 3 4 5 6 7 8 9 10 11 12 13 14 15 16  
 17 18 19 20 21 22 23 24 25 26 27 28 29 30 31 32  
 33 34 35 36 37 38 39 40 41 42 43 44 45 46 47 48  
 49 50 51 52 53 54 55 56 57 58 59 60 61 62 63



**LOGS PLACED ON EXPOSED SLOPES**

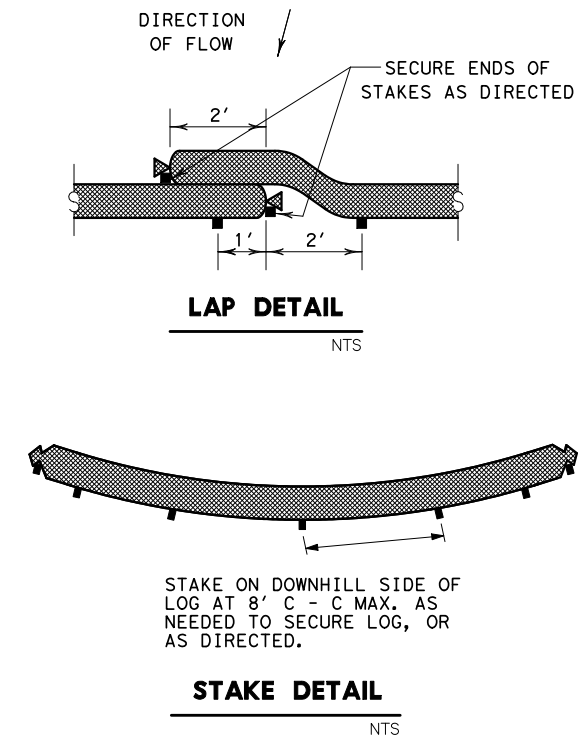
NTS

SLOPE	LOG DIAMETER	SPACING BETWEEN LOGS
3:1	6"	15'
4:1	6"	20'
6:1	6"	25'



**END SECTION RAP DETAIL**

NTS

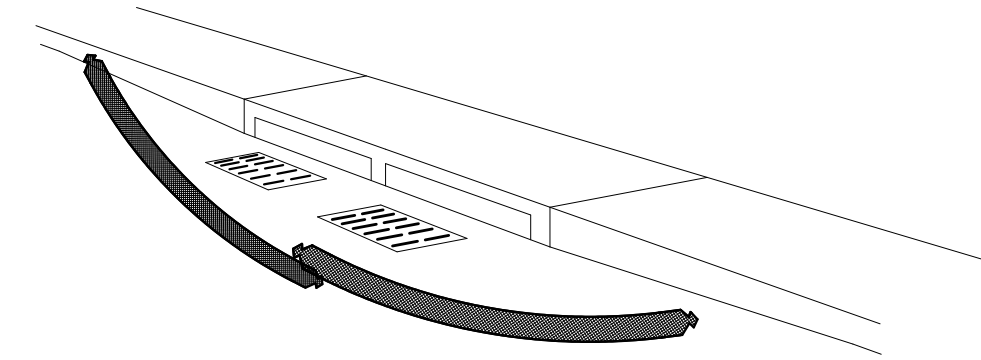


**LAP DETAIL**

NTS

**STAKE DETAIL**

NTS



**COMPLETED INLETS DETAIL**

WITH NO TRAFFIC

NTS

**GENERAL NOTES:**

- LENGTHS OF EROSION CONTROL LOGS SHALL BE IN ACCORDANCE WITH MANUFACTURER'S RECOMMENDATIONS AND AS DIRECTED BY THE ENGINEER.
- UNLESS OTHERWISE DIRECTED, USE BIODEGRADABLE OR PHOTODEGRADABLE CONTAINMENT MESH ONLY WHERE LOG WILL REMAIN IN PLACE AS PART OF A VEGETATIVE SYSTEM. FOR TEMPORARY INSTALLATIONS, USE RECYCLABLE CONTAINMENT MESH.
- STUFF LOGS WITH SUFFICIENT FILTER MATERIAL TO ACHIEVE DENSITY THAT WILL HOLD SHAPE WITHOUT EXCESSIVE DEFORMATION.
- STAKES SHALL BE 2" X 2" WOOD OR #3 REBAR, 4' LONG, EMBEDDED SUCH THAT 2" PROTRUDES ABOVE LOG, OR AS DIRECTED.
- DO NOT PLACE STAKES THROUGH CONTAINMENT MESH.

STD 11B

**Texas Department of Transportation**  
 © 2005

DALLAS DISTRICT  
**EROSION CONTROL LOGS**

SCALE: NOT TO SCALE SHEET 2

DESIGN	FED. RD. DIV. NO. 6	FEDERAL AID PROJECT NO. (See Title Sheet)		HIGHWAY NO. XXXX
GRAPHICS	STATE TEXAS	DISTRICT DALLAS	COUNTY XXXXXXXXX	SHEET NO.
CHECK	CONTROL	SECTION XX	JOB XXX	