

ESTIMATED QUANTITIES

1 GRATE

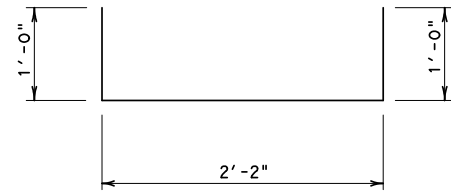
Reinforcing Steel										Totals							
Ht.	Bars "A"			Bars "B"			Bars "C"			Bars "D"			Reinf Steel	Conc C. Y.			
	No.	Size	Lgth	No.	Size	Lgth	No.	Size	Lgth	No.	Size	Lgth					
3'-0"	4	#4	4'-0"	11	#4	3'-2"	23	10	#4	2'-10"	19	8	#4	2'-2"	12	65	0.73
3'-6"	4	#4	4'-0"	11	#4	3'-2"	23	10	#4	3'-4"	22	8	#4	2'-2"	12	68	0.82
4'-0"	4	#4	4'-0"	11	#4	3'-2"	27	10	#4	3'-10"	26	10	#4	2'-2"	14	78	0.91
4'-6"	4	#4	4'-0"	11	#4	3'-2"	27	10	#4	4'-4"	29	10	#4	2'-2"	14	81	1.00

2 GRATE

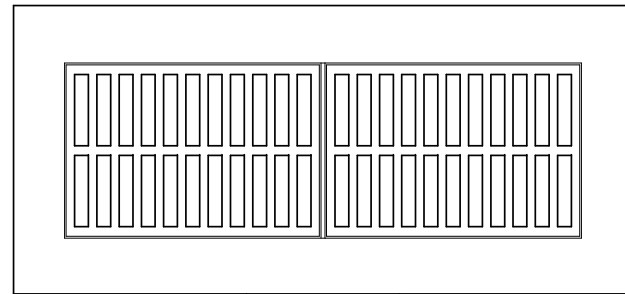
Reinforcing Steel										Totals								
Ht.	Bars "A"			Bars "B"			Bars "C"			Bars "D"			Reinf Steel	Conc C. Y.				
	No.	Size	Lgth	No.	Size	Lgth	No.	Size	Lgth	No.	Size	Lgth						
3'-0"	7	#4	4'-0"	19	11	#4	5'-10"	43	16	#4	2'-10"	30	8	#4	2'-2"	12	104	1.14
3'-6"	7	#4	4'-0"	19	11	#4	5'-10"	43	16	#4	3'-4"	36	8	#4	2'-2"	12	110	1.28
4'-0"	7	#4	4'-0"	19	13	#4	5'-10"	51	16	#4	3'-10"	41	10	#4	2'-2"	14	125	1.42
4'-6"	7	#4	4'-0"	19	13	#4	5'-10"	51	16	#4	4'-4"	47	10	#4	2'-2"	14	131	1.56

3 GRATE

Reinforcing Steel										Totals								
Ht.	Bars "A"			Bars "B"			Bars "C"			Bars "D"			Reinf Steel	Conc C. Y.				
	No.	Size	Lgth	No.	Size	Lgth	No.	Size	Lgth	No.	Size	Lgth						
3'-0"	10	#4	4'-0"	27	11	#4	8'-6"	62	22	#4	2'-10"	42	8	#4	2'-2"	12	143	1.56
3'-6"	10	#4	4'-0"	27	11	#4	8'-6"	62	22	#4	3'-4"	49	8	#4	2'-2"	12	150	1.75
4'-0"	10	#4	4'-0"	27	13	#4	8'-6"	74	22	#4	3'-10"	56	10	#4	2'-2"	14	171	1.94
4'-6"	10	#4	4'-0"	27	13	#4	8'-6"	74	22	#4	4'-4"	64	10	#4	2'-2"	14	179	2.13

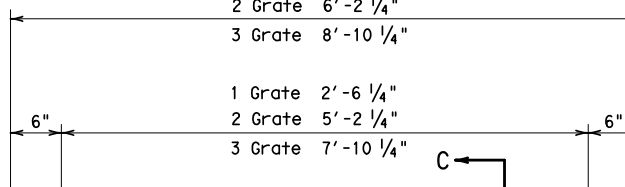


BARS A

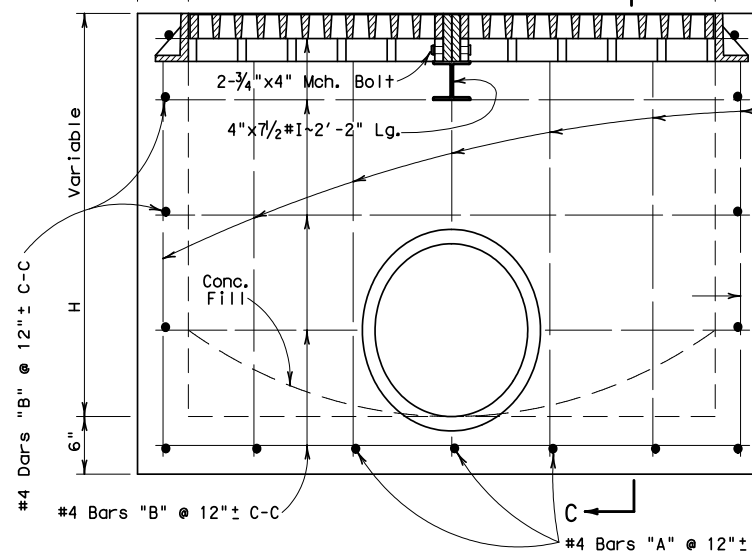


PLAN

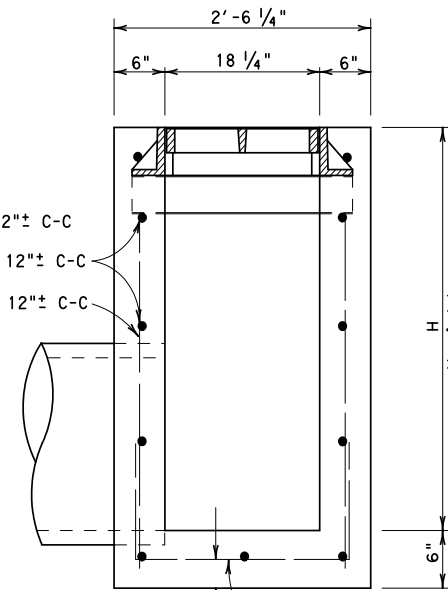
- 1 Grate 3'-6 1/4"
- 2 Grate 6'-2 1/4"
- 3 Grate 8'-10 1/4"



- 1 Grate 2'-6 1/4"
- 2 Grate 5'-2 1/4"
- 3 Grate 7'-10 1/4"



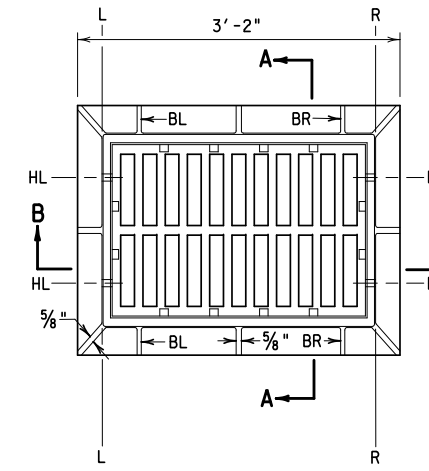
ELEVATION



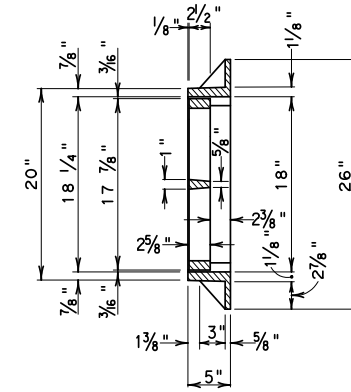
SECTION C-C

Conc. To Be Deducted For Pipes

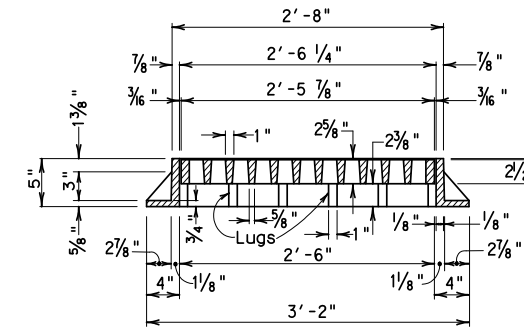
Pipe Size	Conc. C. Y.
15"	0.04
18"	0.05
21"	0.07
24"	0.09



PLAN



SECTION A-A



SECTION B-B

FRAME & GRATE TY A

For Standard Single Grate Inlets-Frame as shown omitting bolt holes and brackets BR & BL
 For Standard Double Grate Inlets-Right frame as shown omitting flange on Line L-L, put on bracket "BL" and core holes "HL". Left frame as shown omitting flange on line R-R, put on bracket "BR" and core holes "HR".
 For Standard Triple Grate Inlets-Make one Right frame and one Left frame and one frame omitting both end flanges. Put on brackets 'BR & BL' and core holes "HR & HL".

GENERAL NOTES:

All Concrete shall be Class "A"

All dimensions to reinforcing steel are to the centers of the bars.

Grates and Forms shall be of Gray Cast Iron conforming to ASTM Specification A-48 for Class No. 30 Cast Iron.

After the Inlet has been constructed and the inside forms removed, additional Class "A" concrete shall be placed in the bottom of the inlet as indicated. The circular surface shall receive a smooth steel trowel finish.

Quantities are for informational purposes only.

Lateral pipe may enter inlet at any location.

Install steps same as for Manhole in all inlets when height of Inlet is more than 4 feet.

FED. RD. DIV. NO.	FEDERAL AID PROJECT NO.	SHEET NO.
6		
STATE	STATE DIST. NO.	COUNTY
TEXAS	18	
CONT.	SECT.	JOB
		HIGHWAY NO.