

PLASMA Parallel Linear Algebra Software for Multicore Architectures

Presented by

**Innovative Computing Laboratory
University of Tennessee
and
University of California–Berkeley
University of Colorado–Denver**



Institutions



University of Tennessee
Knoxville



University of Colorado
Denver

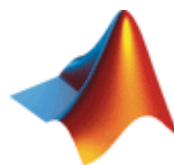


University of California
Berkeley

Sponsors



Microsoft®



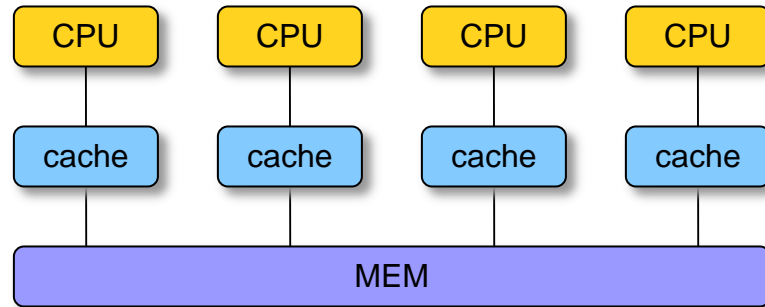
The MathWorks™



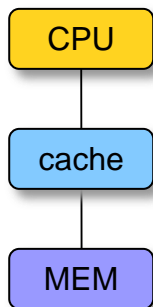
**U.S. DEPARTMENT OF
ENERGY**

Clear Architectural Model

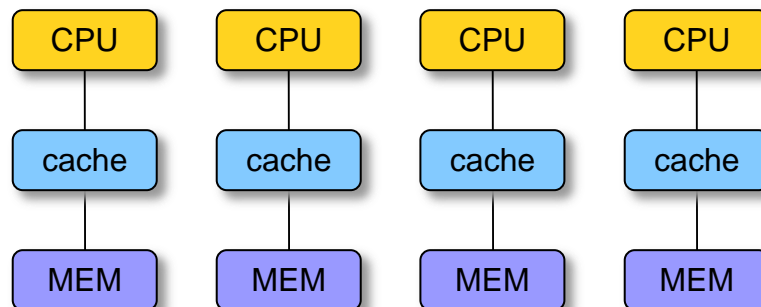
PLASMA



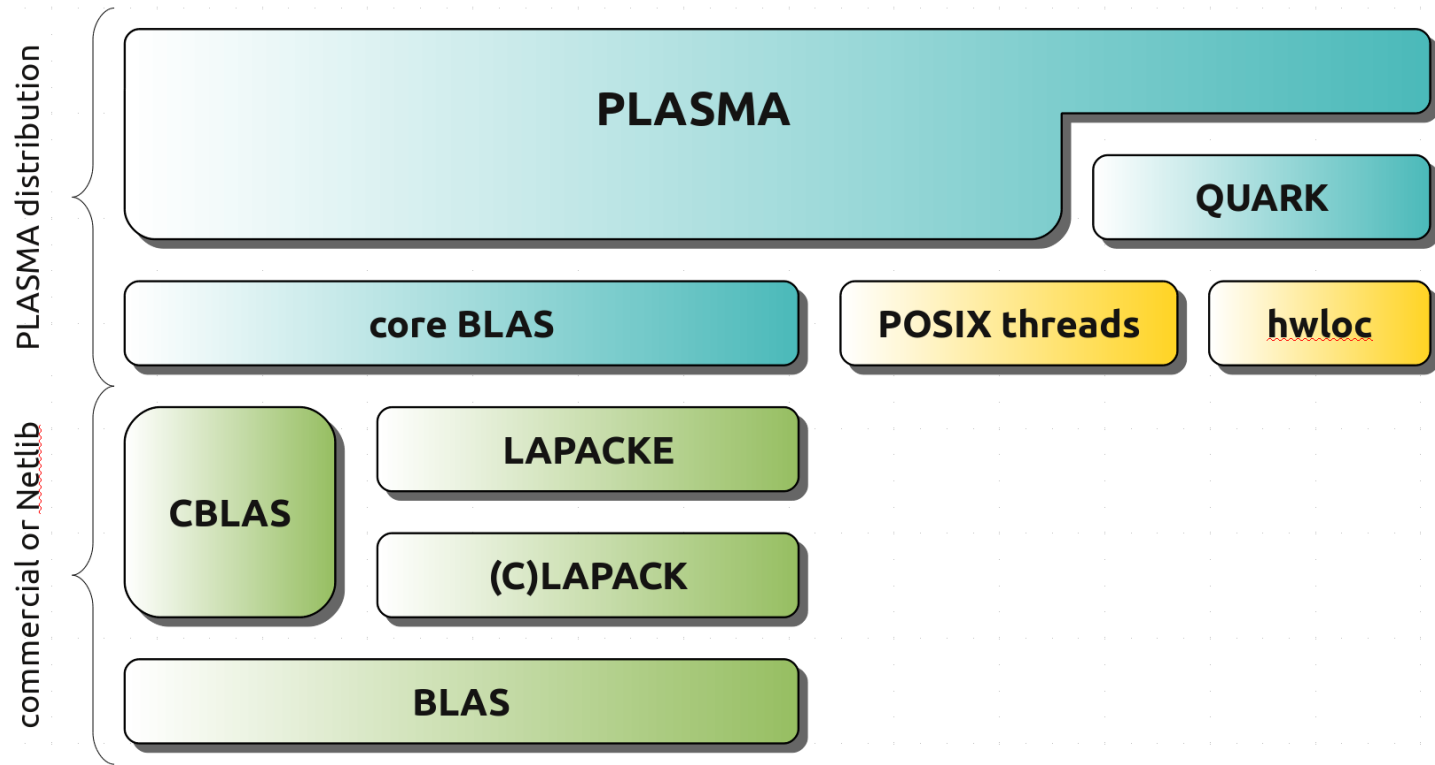
LAPACK



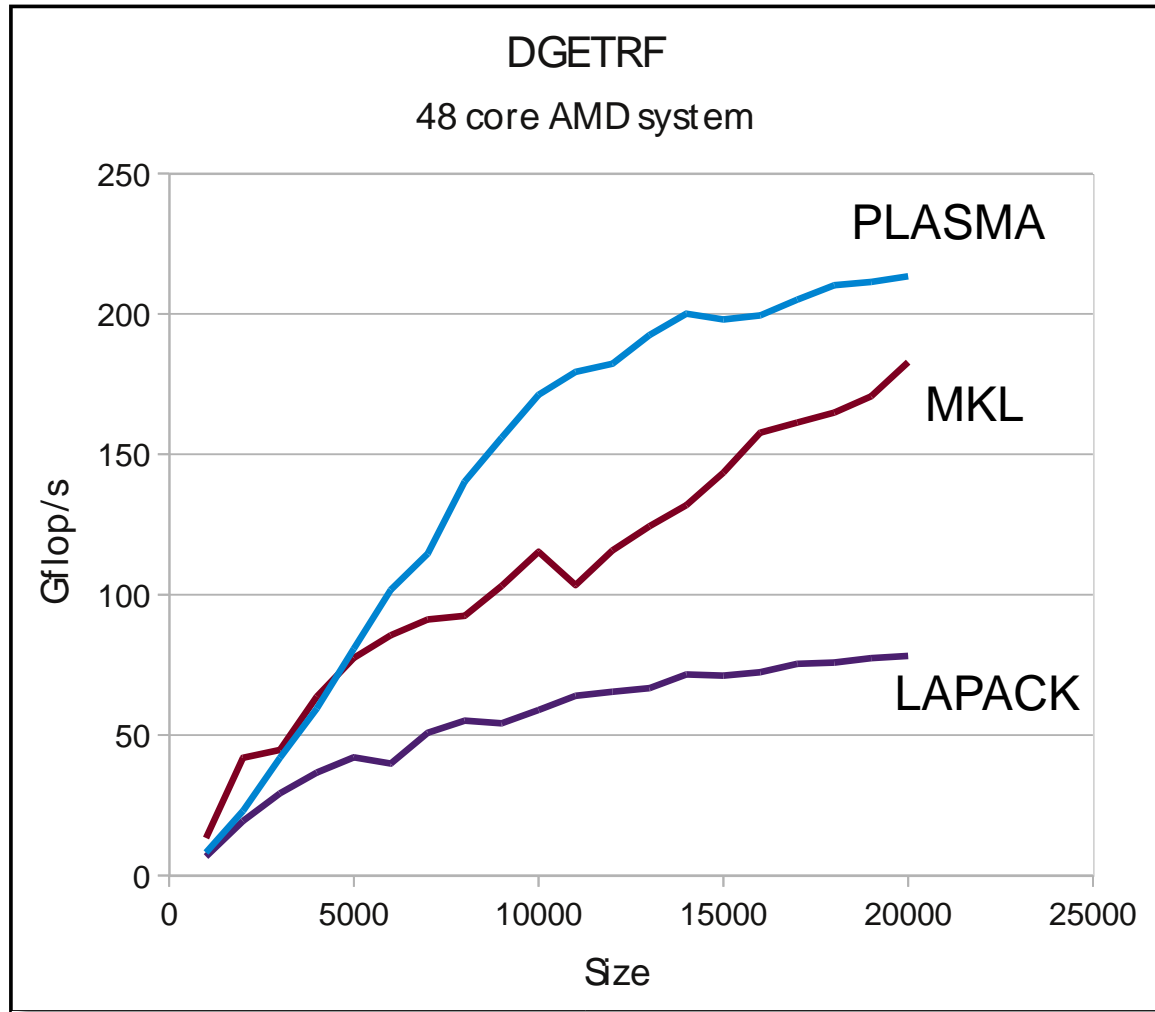
ScaLAPACK



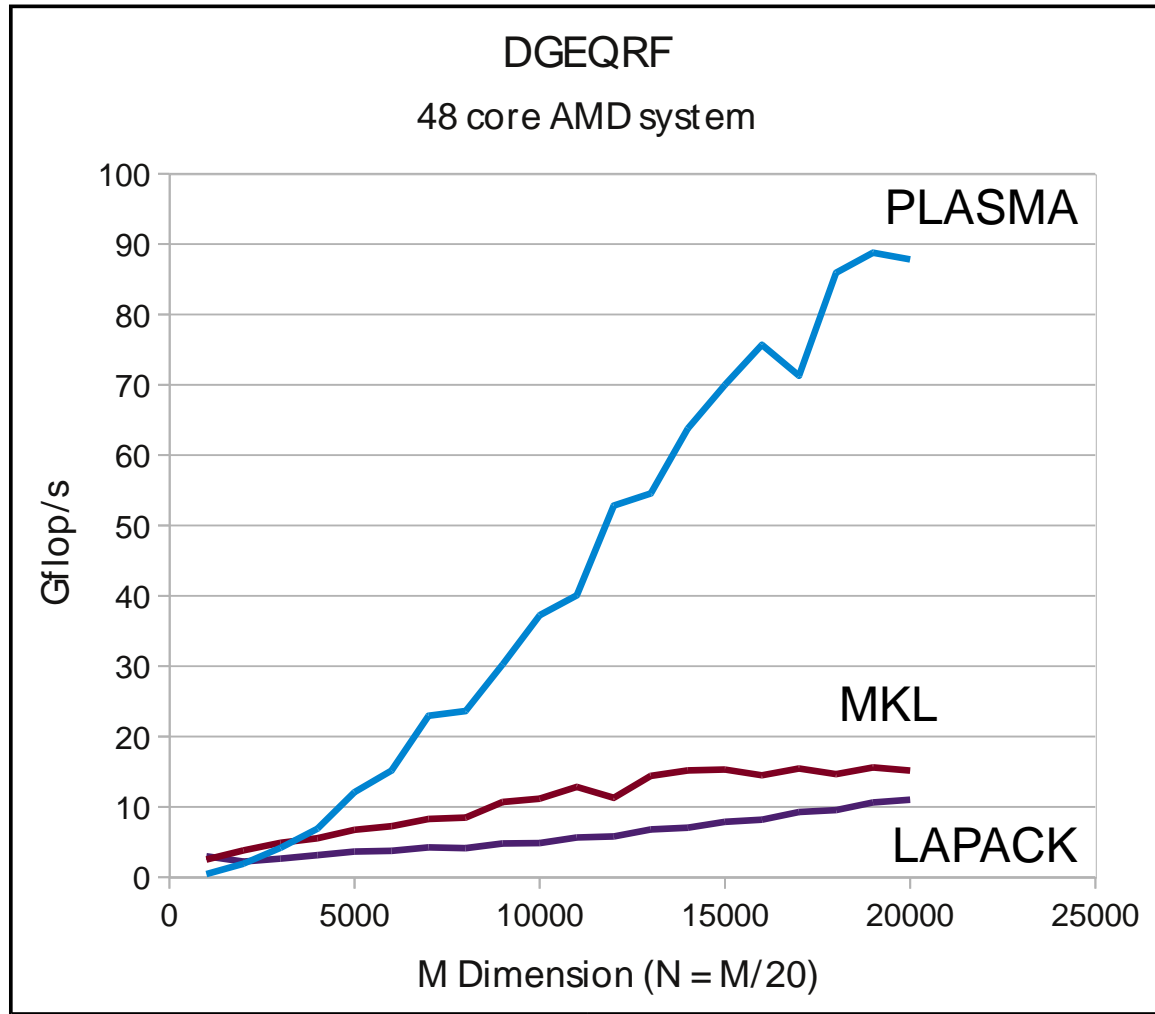
Modern Software Stack



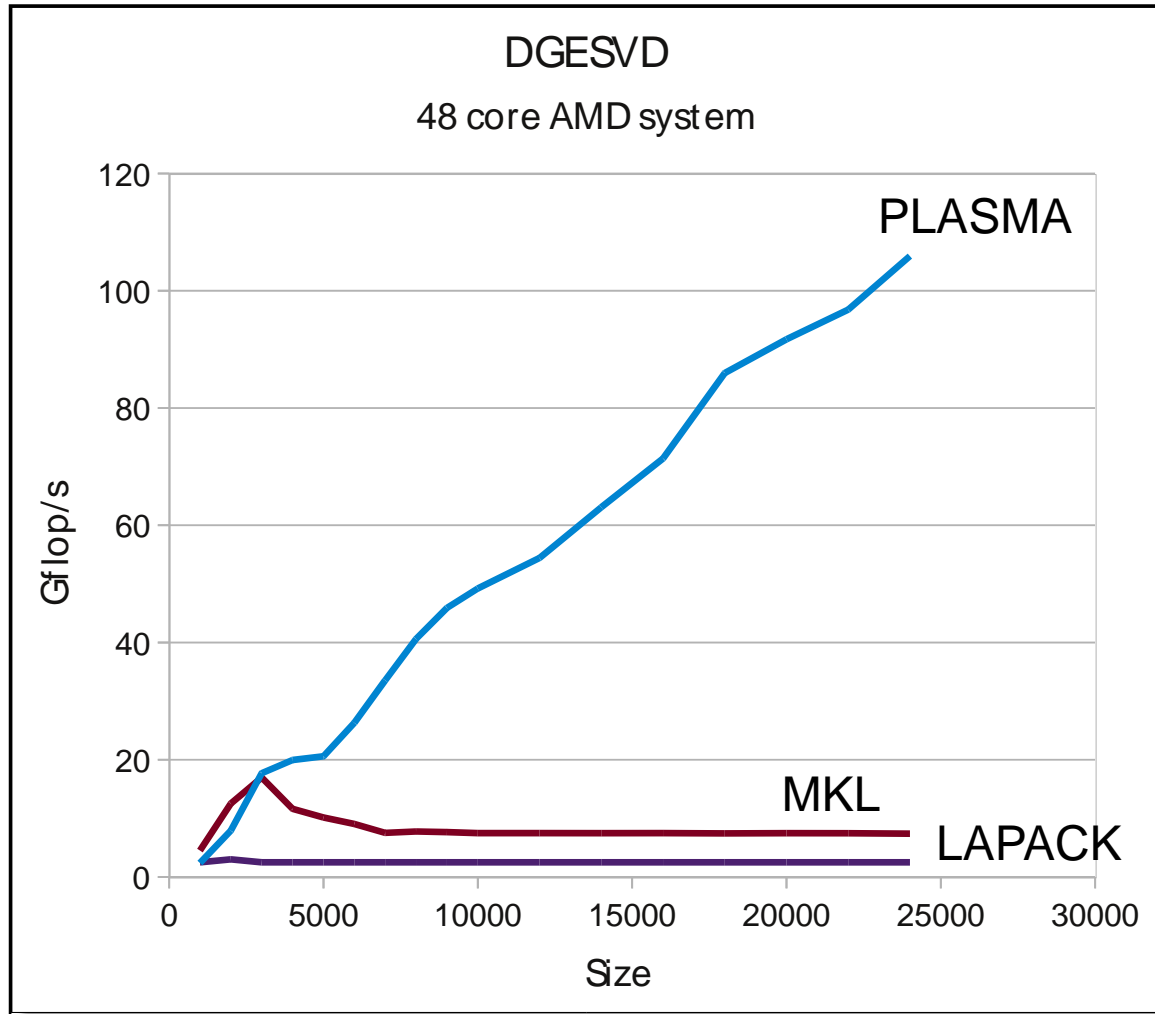
Performance: Linear Systems



Performance: Least Squares



Performance: Singular Values



Extensive Documentation

