



US00D413678S

United States Patent [19]

[11] Patent Number: **Des. 413,678**

Anderson et al.

[45] Date of Patent: **** Sep. 7, 1999**

[54] **SOLID LIQUID EXTRACTOR**

[57] **CLAIM**

[75] Inventors: **Ken B. Anderson**, Lisle; **Joseph S. Gregar**, Naperville, both of Ill.

The ornamental design for the solid liquid extractor, as shown and described.

[73] Assignee: **The University of Chicago**, Chicago, Ill.

DESCRIPTION

[**] Term: **14 Years**

The United States Government has rights in this invention pursuant to Contract No. W-31-109-ENG-38 between the U.S. Department of Energy and The University of Chicago representing Argonne National Laboratory.

[21] Appl. No.: **29/066,569**

FIG. 1 is a perspective view of the solid liquid extractor embodying my new design;

[22] Filed: **Feb. 14, 1997**

FIG. 2 is a top view of the solid liquid extractor illustrated in FIG. 1;

[51] **LOC (6) Cl.** **24-02**

[52] **U.S. Cl.** **D24/232**

FIG. 3 is a front view of the solid liquid extractor illustrated in FIG. 1;

[58] **Field of Search** D24/237, 222, D24/216; 422/50, 114, 115

FIG. 4 is a right side view of the solid liquid extractor in FIG. 1;

[56] **References Cited**

FIG. 5 is a front view of the second embodiment of the solid liquid extractor;

U.S. PATENT DOCUMENTS

D. 198,160	5/1964	Thompson	D24/232
2,019,950	11/1935	Buznell	422/50
2,643,574	6/1953	Todd	422/50
3,622,441	11/1971	Perkins	422/114

FIG. 6 is a top plan view of the second embodiment of the solid liquid extractor illustrated in FIG. 5; and,

FIG. 7 is a right-side view of the second embodiment of the solid liquid extractor illustrated in FIG. 5.

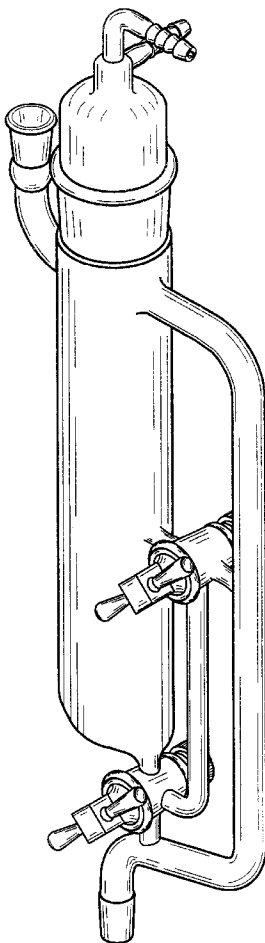
The surfaces of the solid liquid extractor that are not shown form no part of the claimed design.

Primary Examiner—Louis S. Zarfes

Assistant Examiner—G. Andoll

Attorney, Agent, or Firm—Emrich & Dithmar

1 Claim, 6 Drawing Sheets



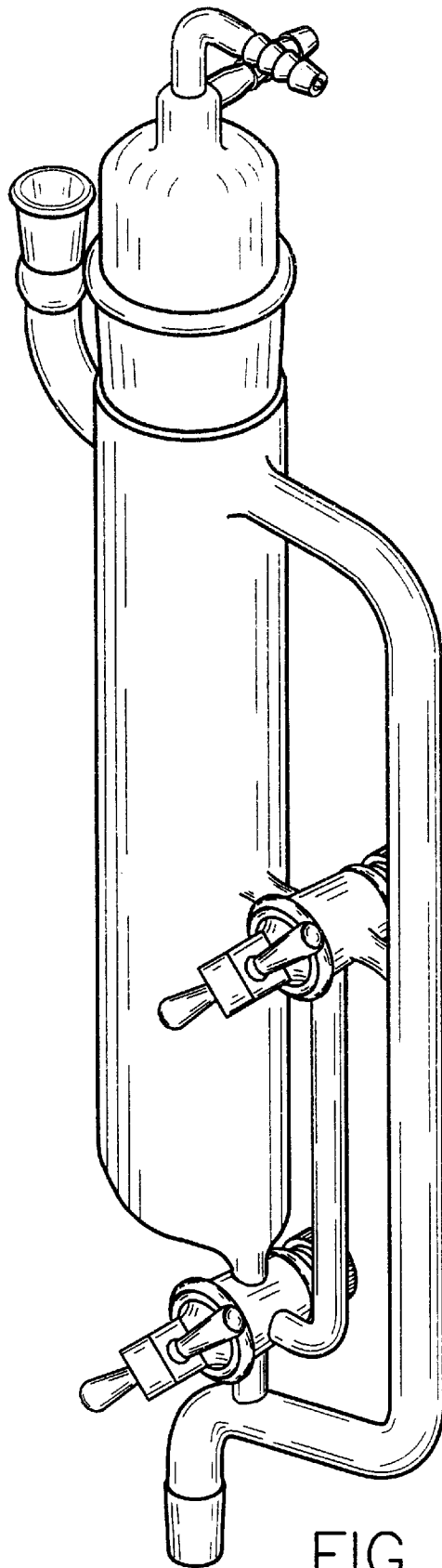


FIG. 1

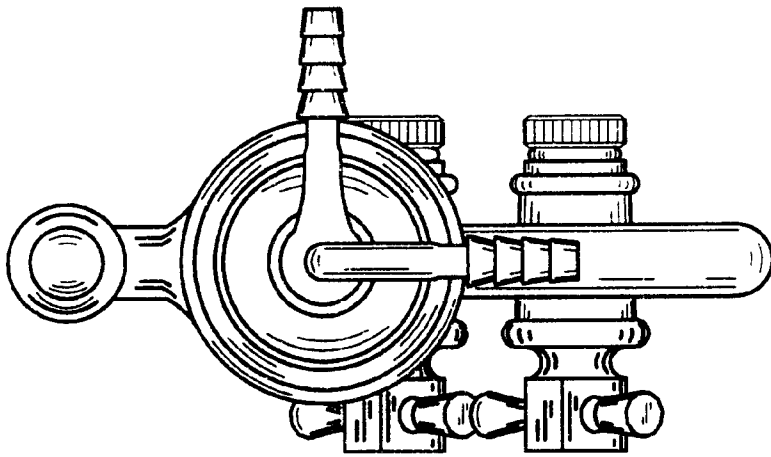


FIG. 2

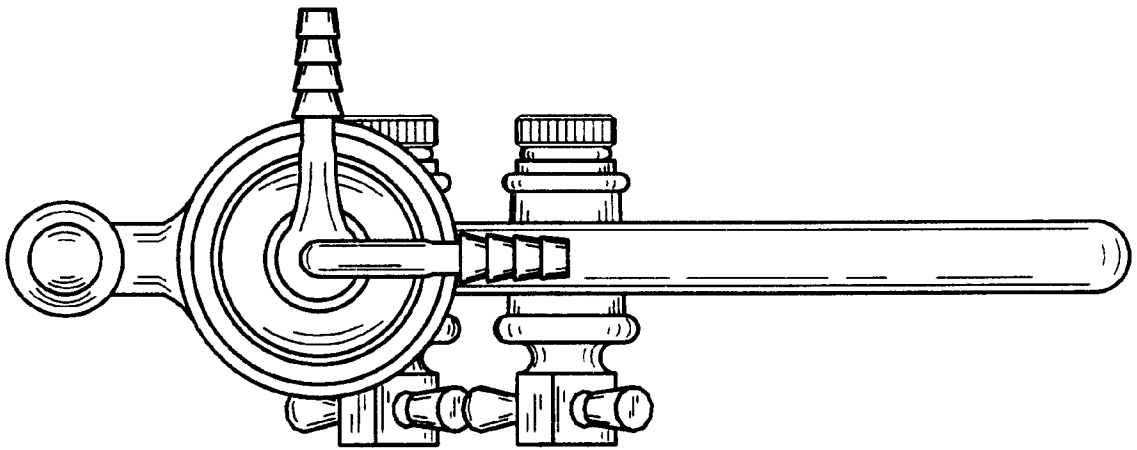


FIG. 6

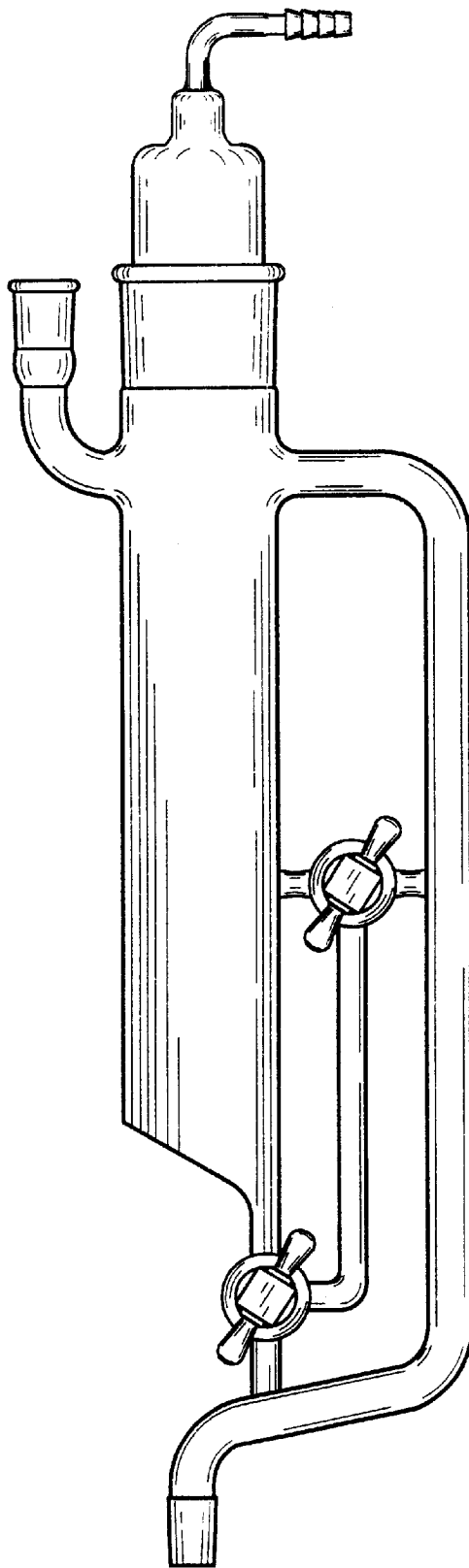


FIG. 3

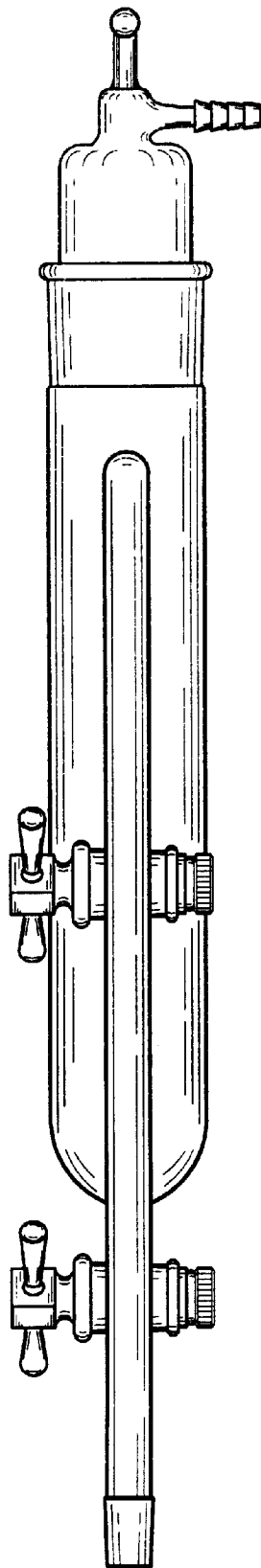


FIG. 4

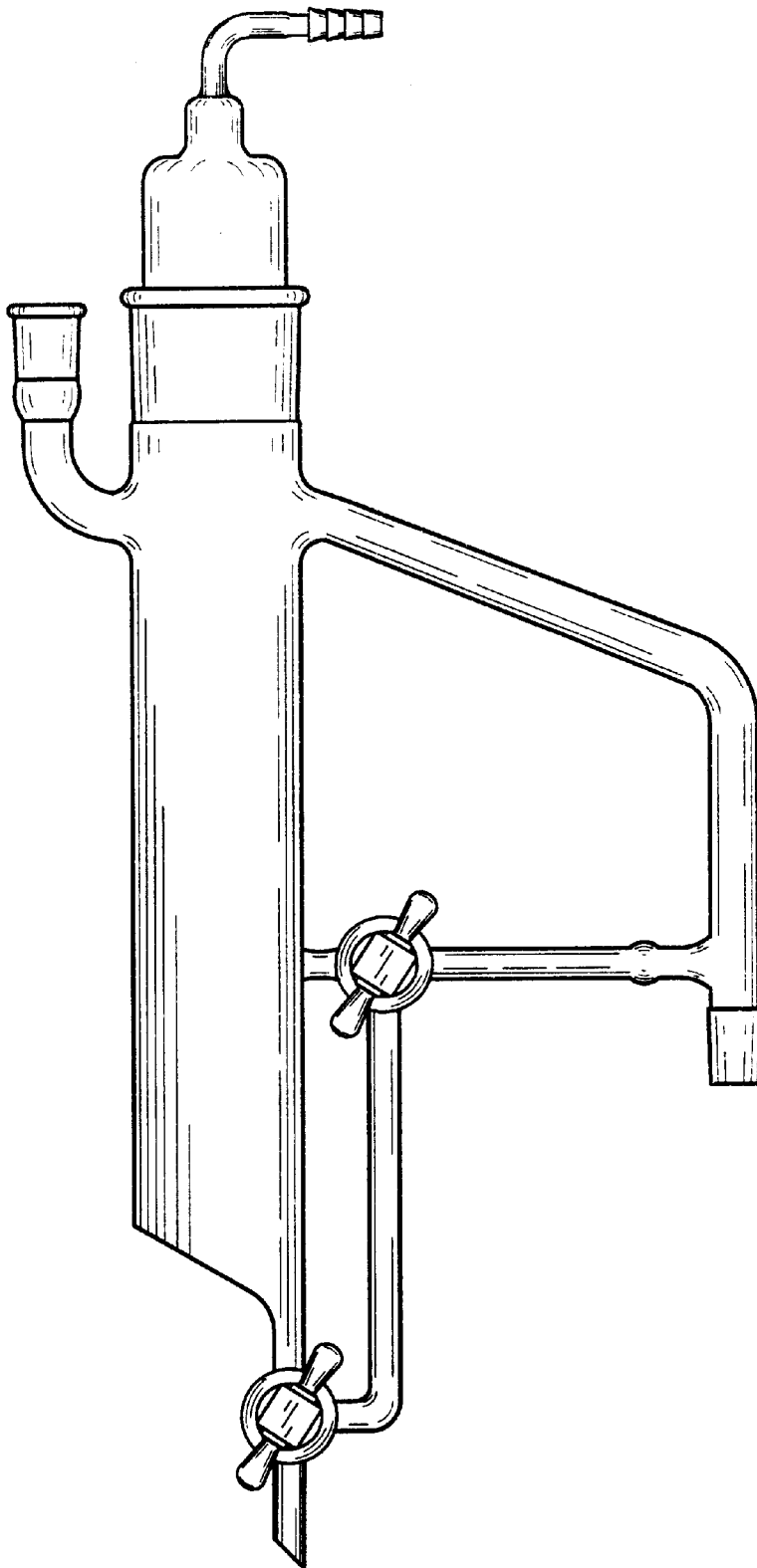


FIG. 5

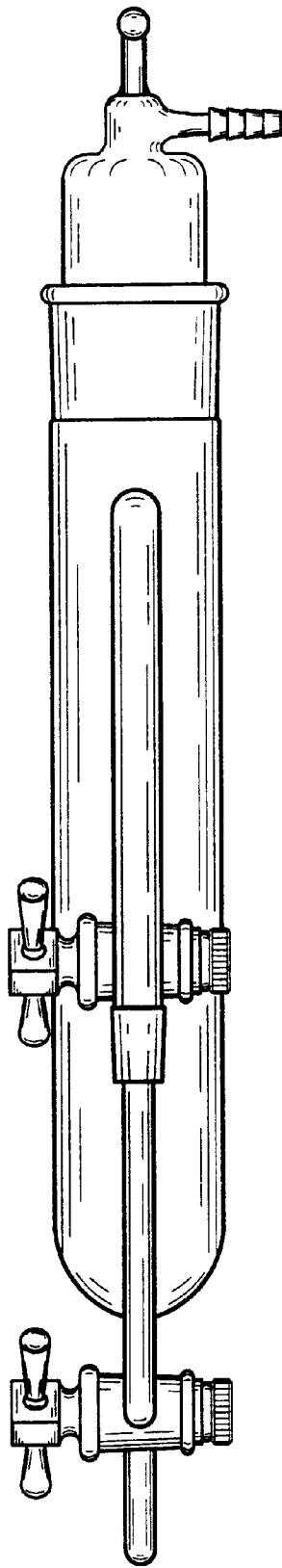


FIG. 7