



U.S. Department  
of Transportation  
**Federal Highway  
Administration**

1200 New Jersey Avenue, SE  
Washington, D.C. 20590

April 8, 2010

In Reply Refer To:  
HSSD/WZ-288

Mr. Christian Cummings  
Acme Barricades, LC  
9800 Normandy Boulevard  
Jacksonville, Florida 32221

Dear Mr. Cummings:

This is in response to your December 15, 2009, letter requesting the Federal Highway Administration's (FHWA) acceptance of your company's Acme 1 VP Vertical Panel Barricade as a crashworthy traffic control device for use in work zones and elsewhere on the National Highway System (NHS). Accompanying your letter was the FHWA Office of Safety Design form indicating comparability with generic barricades detailed in FHWA Acceptance Letter WZ-54. You requested that we find this barricade acceptable for use with a single lightweight warning light (3 pounds or less, with batteries) on the NHS under the provisions of National Cooperative Highway Research Program Report 350 "Recommended Procedures for the Safety Performance Evaluation of Highway Features."

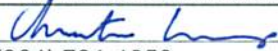
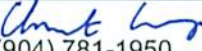
This letter is the acknowledgement of the FHWA's acceptance of your request. The original completed form has been modified by the addition of the FHWA acceptance letter number and the date of our review. The form, of which a copy is enclosed for reference, will be posted on our Web site in the near future.

Sincerely yours,

David A. Nicol, P.E.  
Director, Office of Safety Design  
Office of Safety

Enclosure



Page 1	<b>FEDERAL HIGHWAY ADMINISTRATION OFFICE OF SAFETY DESIGN</b>	Letter Number <b>WZ-288</b>
	<b>Category 2 Work Zone Device Acceptance Letter</b>	Date <b>4-6-10</b>
Contact Info	Petitioner / Developer Name and Address:	
	Acme Barricades, LC 9800 Normandy Blvd Jacksonville, FL 32221	
	I hereby certify that the device(s) covered by this Acceptance Letter meet(s) the crash – worthiness test and evaluation requirements of the FHWA and NCHRP Report 350.	
Signature		
Telephone #	(904) 781-1950	
Email Address	ccummings@acmebarricades.com	
	Laboratory / Engineer Name and Address	
<input type="checkbox"/>	I hereby certify that the testing that supports this Acceptance Letter was conducted in accordance with NCHRP Report 350 guidelines, that the device(s) tested is/are accurately described on this form, and that the test results indicate that the device meets all applicable NCHRP Report 350 evaluation criteria.	
<input checked="" type="checkbox"/>	I have evaluated the requested modifications to these devices previously found acceptable by the FHWA in Acceptance Letter WZ-54, and hereby certify that, in my opinion, the modifications do not adversely affect the crash performance of the devices. I also certify that these devices are accurately described on this form.	
Signature		
Telephone #	(904) 781-1950	
Email Address	ccummings@acmebarricades.com	
Keywords:		
	Type of Device (See page 3) Vertical Panel	
	Composition of Sign or Rail substrate (See Page 3)	
	Thickness of substrate (inches):	
	Height of sign from the ground (inches), if applicable: (See Page 3)	
	Flags and or lights present during test? Indicate number of each:	
	# of flags:	# of lights: 1      Weight of lights: 3.30 ea.
Device Name	ACME 1 VP	
Detailed Desc. Of Device, Materials, sizes, Fasteners, Substrates Foundation, Aux. Features Ballast, etc.	(May be attached on separate page(s)  The ACME 1 VP is a modification to the generic type 1 barricade found acceptable in WZ-54. It is comprised of the same components and materials as the generic type 1 except the 12"x36" panels are 18 GA metal instead of plywood. The generic type 1 is modified by attaching the 36"x12" panels vertical instead of horizontal. This results in a barricade that is 12" wide instead of 36" wide. The height remains the same as the generic type 1.	



Page 2	<b>FEDERAL HIGHWAY ADMINISTRATION</b> <b>OFFICE OF SAFETY DESIGN</b> <b>Category 2 Work Zone Device Acceptance Letter</b>		Letter Number <i>WZ-288</i>
			Date <i>4-6-10</i>
	<b>Mandatory Attachments</b>		
	<b>Attachment # 1:</b> Test data summary page(s)		
	Attach. #1a	Test #	
	Attach. #1b	Test #	
	Attach. #1c	Test #	
	Attach. #1d	Test #	
Alternative	<b>Attachment # 1:</b> Description and discussion of modification(s) to crash tested and/or accepted device.		
	Date: _____		
	<b>Attachment # 2:</b> PDF drawing(s) of device(s)		
	Attach. #2a	Drawing Title:	
		Drawing #:	
	Attach. #2b	Drawing Title:	
		Drawing #:	
	Attach. #2c	Drawing Title:	
		Drawing #:	
	Attach. #2d	Drawing Title:	
		Drawing #:	
	Attach. #2e	Drawing Title:	
		Drawing #:	
	Attach. #2f	Drawing Title:	
		Drawing #:	
	Attach. #2g	Drawing Title:	
		Drawing #:	

Page 3	FEDERAL HIGHWAY ADMINISTRATION OFFICE OF SAFETY DESIGN Category 2 Work Zone Device Acceptance Letter	Letter Number Date <b>WZ-288</b> 12/15/2009
--------	--	---

**Please select from the following Keywords for "Type of Device":**

Longitudinal Channelizing Barricade  
 Curb (Curb channelizer system with or without road tubes or other channelizers)  
 Drum  
 H-Footprint Sign Stand  
 X-Footprint Sign Stand  
 Trailer Mounted Signs (Does not include arrow boards or variable message signs or other Category 4 trailer mounted devices.)  
 Automated Flagger Device (not trailer mounted)  
 Tripod Sign Stand  
 Type I Barricade  
 Type II Barricade  
 Type III Barricade  
 Vertical Panel  
 Intrusion Detector  
 Ballast (Action relates to ballast on one or more devices)  
 Channelizer (Individual units unlike cones, road tubes, or drums)

**Please select from the following Keywords for "Sign Substrate":**

Roll-up / Fabric (with fiberglass spreaders – aluminum or steel spreaders are not allowed.)  
 Plywood  
 Aluminum – Solid  
 Aluminum – Laminate  
 Corrugated Plastic  
 Extruded Plastic  
 Waffleboard Plastic  
 Wood / Lumber

**Please select from the following Keywords for "Height of Sign":**

The distance to the lowest point on the sign is:

Low            12 to 18 inches above the pavement  
 Mid-A         20 to 24 inches above the pavement  
 Mid-B         25 to 36 inches above the pavement  
 Mid-C         37 to 59 inches above the pavement  
 Tall            60 to 71 inches above the pavement  
 Oversized     72 inches and taller



Page 4	FEDERAL HIGHWAY ADMINISTRATION OFFICE OF SAFETY DESIGN			Letter Number
				Date WZ-288
	Category 2 Work Zone Device Acceptance Letter			

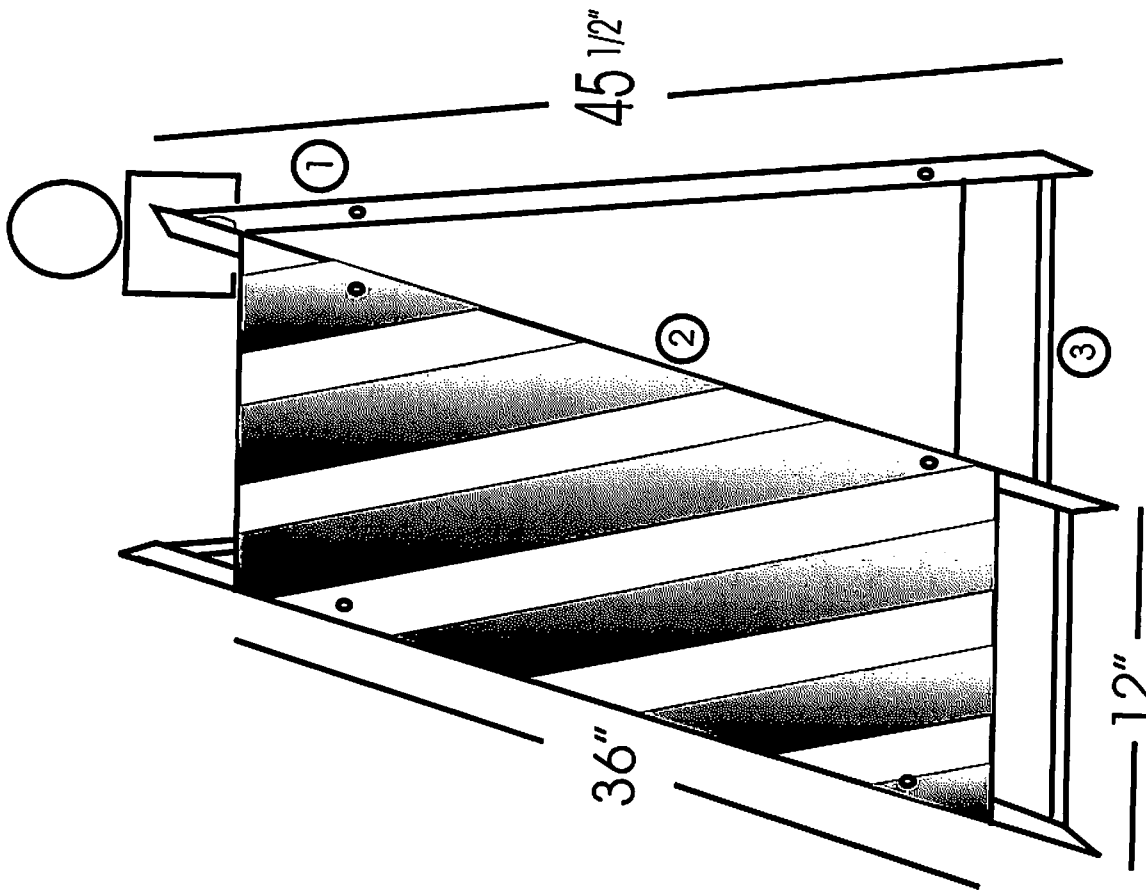
Please note the following standard provisions that apply to FHWA letters of acceptance:

- Our acceptance is limited to the crashworthiness characteristics of the devices and does not cover their structural features, or conformity with the Manual on Uniform Traffic Control Devices.
- Any changes that may adversely influence the crashworthiness of the device will require a new acceptance letter.
- Should the FHWA discover that the qualification testing was flawed, that in-service performance reveals unacceptable safety problems, or that the device being marketed is significantly different from the version that was crash tested, it reserves the right to modify or revoke its acceptance.
- You will be expected to supply potential users with sufficient information on design and installation requirements to ensure proper performance.
- You will be expected to certify to potential users that the hardware furnished has essentially the same chemistry, mechanical properties, and geometry as that submitted for acceptance, and that they will meet the crashworthiness requirements of FHWA and NCHRP Report 350.
- To prevent misunderstanding by others, this letter of acceptance shall not be reproduced except in full. This letter, and the test documentation upon which this letter is based, is public information. All such letters and documentation may be reviewed at our office upon request.
- If the subject of this letter is a patented device it is considered "proprietary." The use of proprietary work zone traffic control devices in Federal-aid projects is generally of a temporary nature. They are *selected by the contractor* for use as needed and removed upon completion of the project. Under such conditions they can be presumed to meet requirement "a" given below for the use of proprietary products on Federal-aid projects. On the other hand, if proprietary devices are *specified by a highway agency* for use on Federal-aid projects they: (a) must be supplied through competitive bidding with equally suitable unpatented items; (b) the highway agency must certify that they are essential for synchronization with existing highway facilities or that no equally suitable alternative exists or; (c) they must be used for research or for a distinctive type of construction on relatively short sections of road for experimental purposes. Our regulations concerning proprietary products are contained in Title 23, Code of Federal Regulations, Section 635.411, a copy of which is enclosed.
- This Acceptance Letter shall not be construed as authorization or consent by the Federal Highway Administration to use, manufacture, or sell any patented device for which the applicant is not the patent holder. The Acceptance Letter is limited to the crashworthiness characteristics of the candidate device, and the FHWA is neither prepared nor required to become involved in issues concerning patent law. Patent issues, if any, are to be resolved by the applicant.

1-(4) 1 1/4" x 1 1/4" x 45 1/2" 12 GA  
ANGLED LEGS

2-(2) 36" x 12" 18 GA  
METAL PANELS

3-(1 OR 2) 1 1/4" x 1 1/4" x 14"  
14 GA ANGLED CROSSBARS



# VERTICAL PANEL

MODEL#	ACME 1 VP GPL S102-2810	MANUFACTURER:	ACME BARRICADES, LLC
Drawn By		PHONE #	
Sheet Number	1 OF 1	Date	
APPROVED			