



U.S. Department  
of Transportation  
**Federal Highway  
Administration**

1200 New Jersey Ave., S.E.  
Washington, DC 20590

October 31, 2008

In Reply Refer To: HSSD/WZ-276

Mr. Vernon McDermott, Jr.  
Vice President  
Julian A. McDermott Corp.  
1639 Stephen Street  
Ridgewood, NY 11385

Dear Mr. McDermott, Jr.:

In your letter of October 20, 2008, you requested the Federal Highway Administration (FHWA) acceptance of the generic Quad-pod temporary sign stand with a fiberglass supported roll-up sign and no warning lights or flags attached as a crashworthy traffic control device for use in work zones on the National Highway System (NHS). You requested acceptance of sign sizes of up to and including a 48 inch x 48 inch diamond installation. Your request for acceptance is based on the performance of crashworthy compact sign stands. In your letter, you referenced similar compact sign stand designs with a fiberglass supported roll-up sign. Compact sign stands such as yours have performed well because there are no metal elements at a height that can affect the windshield during a crash. Accompanying your letter was a drawing and a detailed description of the Quad-pod sign stand. The drawing is enclosed for reference. You requested that we find this device acceptable for use on the NHS under the provisions of the National Cooperative Highway Research Program Report 350 "Recommended Procedures for the Safety Performance Evaluation of Highway Features".

This letter acknowledges FHWA's acceptance of your request. This letter will be posted on our Web site in the near future.

Sincerely yours,

David A. Nicol, P.E.  
Director, Office of Safety Design  
Office of Safety

Enclosure



FHWA:HSSD:MLupes:tb:x66994:10/23/08

File: s://directory folder/mlupes/WZ276.doc

cc: HSSD (Reader, HSA; Chron File, HSSD; M.Lupes, HSSD;  
M.McDonough, HSSD)



U.S. Department  
of Transportation  
**Federal Highway  
Administration**

1200 New Jersey Ave., S.E.  
Washington, DC 20590

October 31, 2008

In Reply Refer To: HSSD/WZ-276

Mr. Vernon McDermott, Jr.  
Vice President  
Julian A. McDermott Corp.  
1639 Stephen Street  
Ridgewood, NY 11385

Dear Mr. McDermott, Jr.:

In your letter of October 20, 2008, you requested the Federal Highway Administration (FHWA) acceptance of the generic Quad-pod temporary sign stand with a fiberglass supported roll-up sign and no warning lights or flags attached as a crashworthy traffic control device for use in work zones on the National Highway System (NHS). You requested acceptance of sign sizes of up to and including a 48 inch x 48 inch diamond installation. Your request for acceptance is based on the performance of crashworthy compact sign stands. In your letter, you referenced similar compact sign stand designs with a fiberglass supported roll-up sign. Compact sign stands such as yours have performed well because there are no metal elements at a height that can affect the windshield during a crash. Accompanying your letter was a drawing and a detailed description of the Quad-pod sign stand. The drawing is enclosed for reference. You requested that we find this device acceptable for use on the NHS under the provisions of the National Cooperative Highway Research Program Report 350 "Recommended Procedures for the Safety Performance Evaluation of Highway Features".

This letter acknowledges FHWA's acceptance of your request. This letter will be posted on our Web site in the near future.

Sincerely yours,

David A. Nicol, P.E.  
Director, Office of Safety Design  
Office of Safety

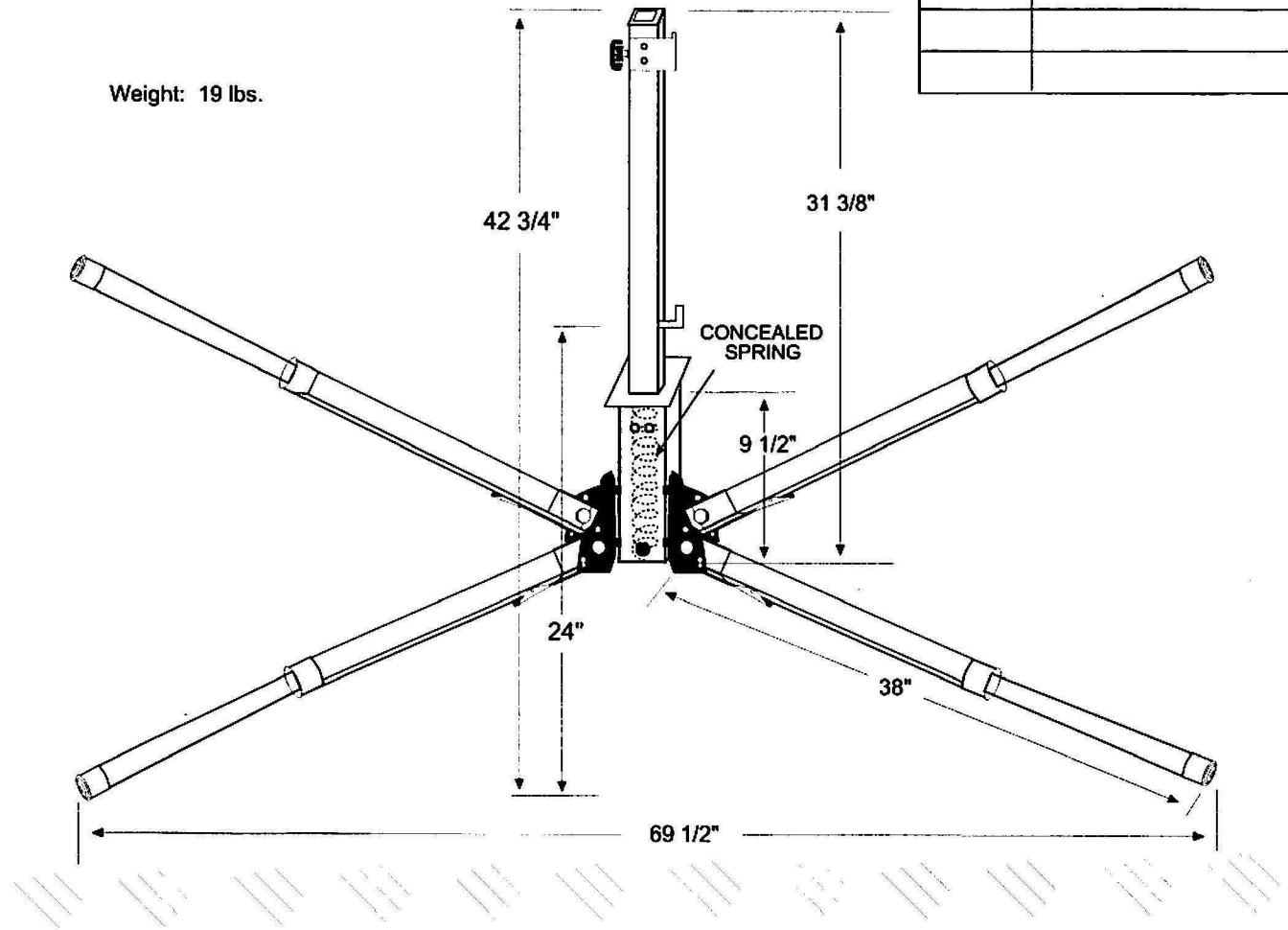
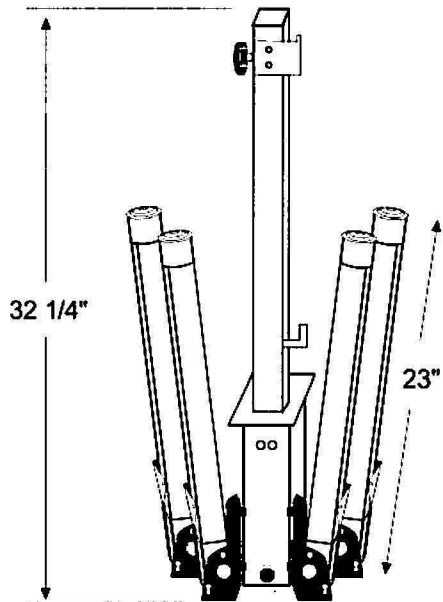
Enclosure



REVISIONS

DAT	

Weight: 19 lbs.



Julian A. McDermott Corp.  
 1639 Stephen Street  
 Ridgewood, NY 11385  
 (718) 456-3606

MODEL NUMBER		
<b>QUADPOD-SIGN</b>		
SCALE	DRAWN BY	APPROVED BY
NON	AH	VM
TITLE		
<b>QUADPOD-SIGN</b>		
DAT	DRAWING NUMBER	
10/15/08	G101508	